



US00D713757S

(12) **United States Design Patent**
Thuma et al.

(10) **Patent No.:** **US D713,757 S**
(45) **Date of Patent:** **** Sep. 23, 2014**

(54) **WICKING PLANTER**
(71) Applicant: **Suncast Technologies, LLC**, Palm Beach Gardens, FL (US)
(72) Inventors: **Michael Thuma**, La Grange, IL (US); **Brian C. Donnelly**, Naperville, IL (US); **Michael R. Vogler**, Oswego, IL (US)
(73) Assignee: **Suncast Technologies, LLC**, Palm Beach Gardens, FL (US)

(**) Term: **14 Years**

(21) Appl. No.: **29/467,388**

(22) Filed: **Sep. 18, 2013**

(51) **LOC (10) Cl.** **11-02**

(52) **U.S. Cl.**
USPC **D11/152**

(58) **Field of Classification Search**
CPC A01G 27/04; A01G 27/02; A01G 27/00; A01G 27/008; A01G 27/06; A01G 9/02; A01G 9/022; A47G 7/042
USPC D6/403-405, 556-558; D11/143-156, D11/164; D19/77, 80, 81, 84; D26/9-11, D26/16, 19; D34/1, 2, 4-6; D99/5, 19; 47/17, 32.7, 33, 39, 41.01, 41.1, 47/41.11-41.15, 44-47, 63, 65.5, 65.9, 47/66.1, 66.2, 66.6, 66.7, 67-71
See application file for complete search history.

(56) **References Cited**

U.S. PATENT DOCUMENTS

D313,203 S * 12/1990 Carlson D11/153
D331,549 S * 12/1992 Embree D11/153
D340,674 S * 10/1993 Carlson D11/152
D346,135 S * 4/1994 Carlson D11/153

D352,479 S * 11/1994 Carlson D11/153
D368,234 S * 3/1996 Dickinson et al. D11/152
D369,760 S * 5/1996 Sanderson D11/152
D382,512 S * 8/1997 Hulsebus D11/152
D395,411 S * 6/1998 Grebert D11/153
D436,887 S * 1/2001 Fan D11/152
D461,742 S * 8/2002 Carlson D11/152
D564,394 S * 3/2008 Schmidt D11/152
D594,775 S * 6/2009 Moreau D11/152

OTHER PUBLICATIONS

Self-Watering Planter by Mainstays dated Jun. 11, 2011. found online Jan. 6, 2013 <http://www.walmart.com/ip/Mainstays-5.2-Self-Watering-Planter/16630836>.*

* cited by examiner

Primary Examiner — Robert M Spear

Assistant Examiner — Marissa Cash

(74) *Attorney, Agent, or Firm* — McHale & Slavin, P.A.

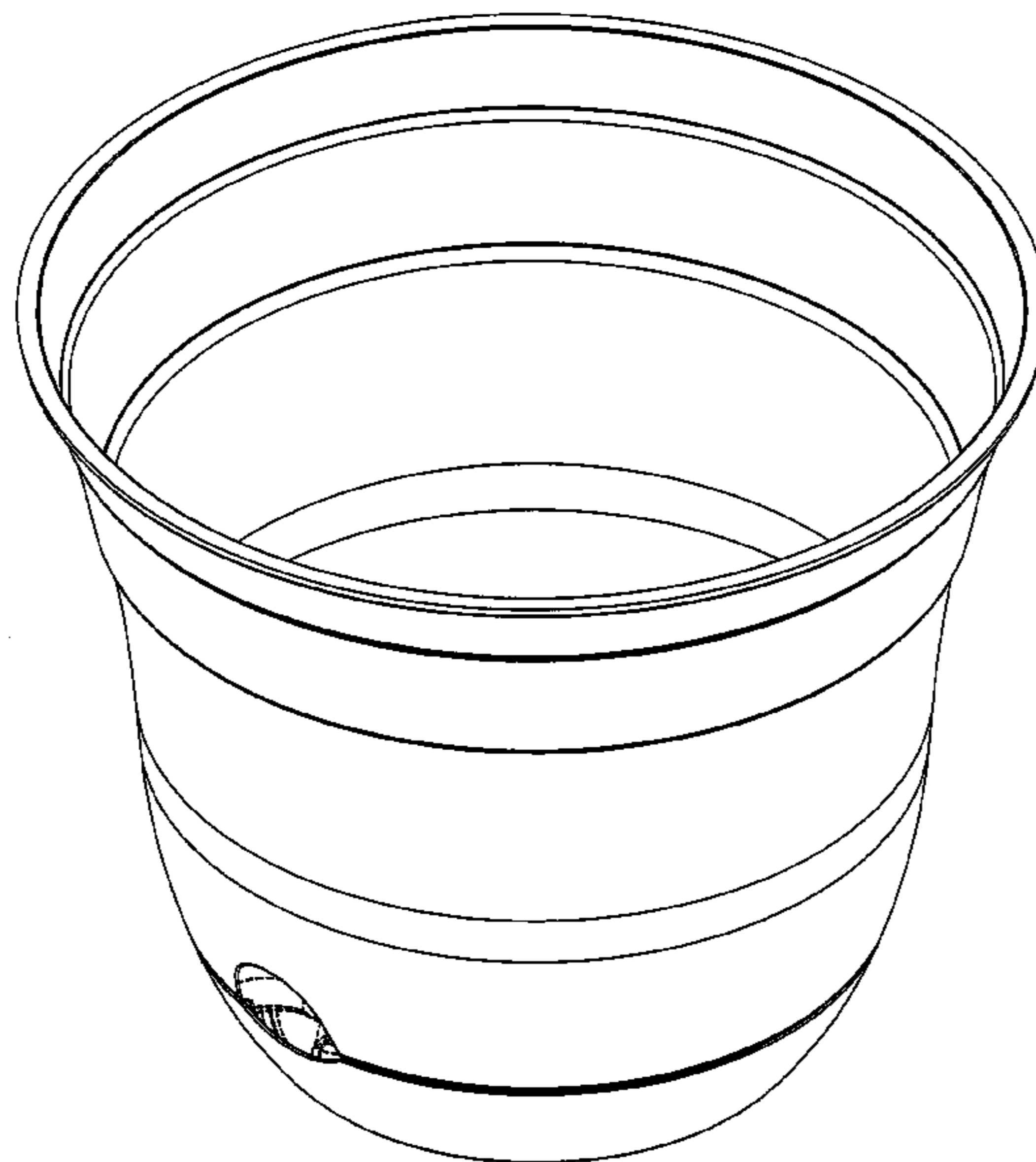
(57) **CLAIM**

The ornamental design for a wicking planter, as shown and described.

DESCRIPTION

FIG. 1 is a top left perspective view of the wicking planter of the present invention;
FIG. 2 is a right side view thereof;
FIG. 3 is a left side view thereof;
FIG. 4 is a front view thereof;
FIG. 5 is a rear view thereof;
FIG. 6 is a bottom view thereof;
FIG. 7 is a top view thereof; and,
FIG. 8 is a bottom left perspective view thereof.
The portions of the wicking planter illustrated in broken lines form no part of the claimed subject matter.

1 Claim, 8 Drawing Sheets



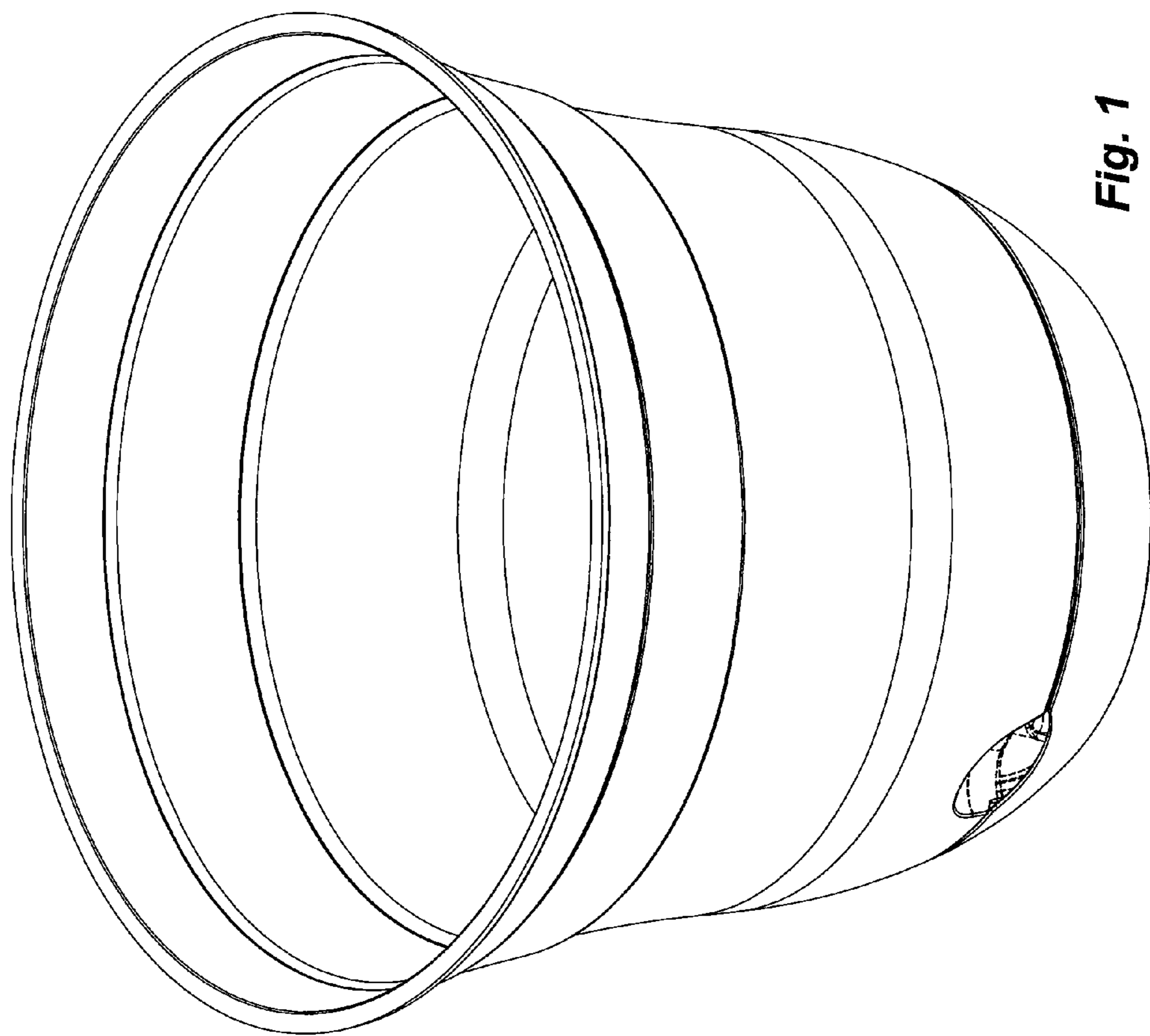


Fig. 1

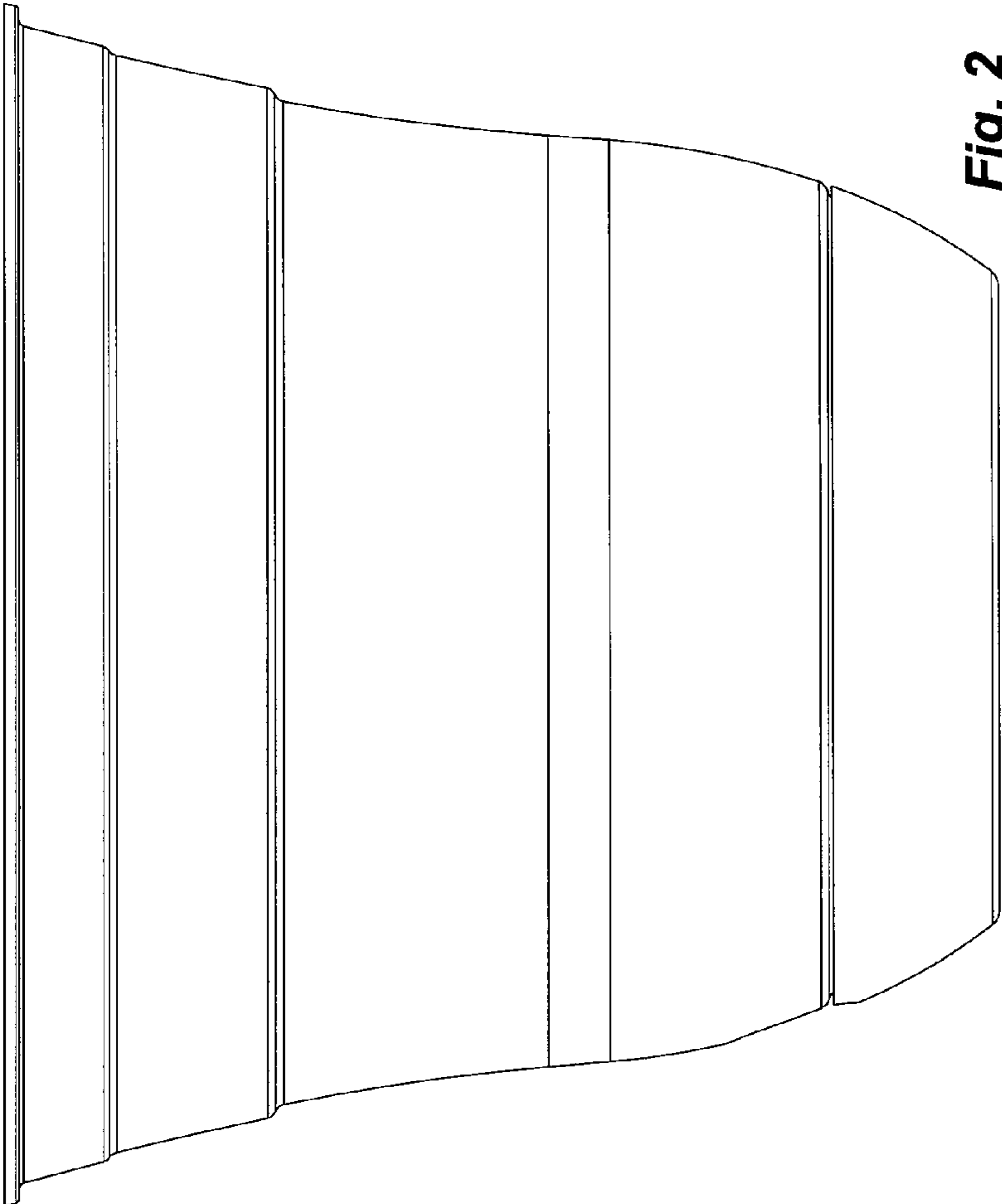


Fig. 2

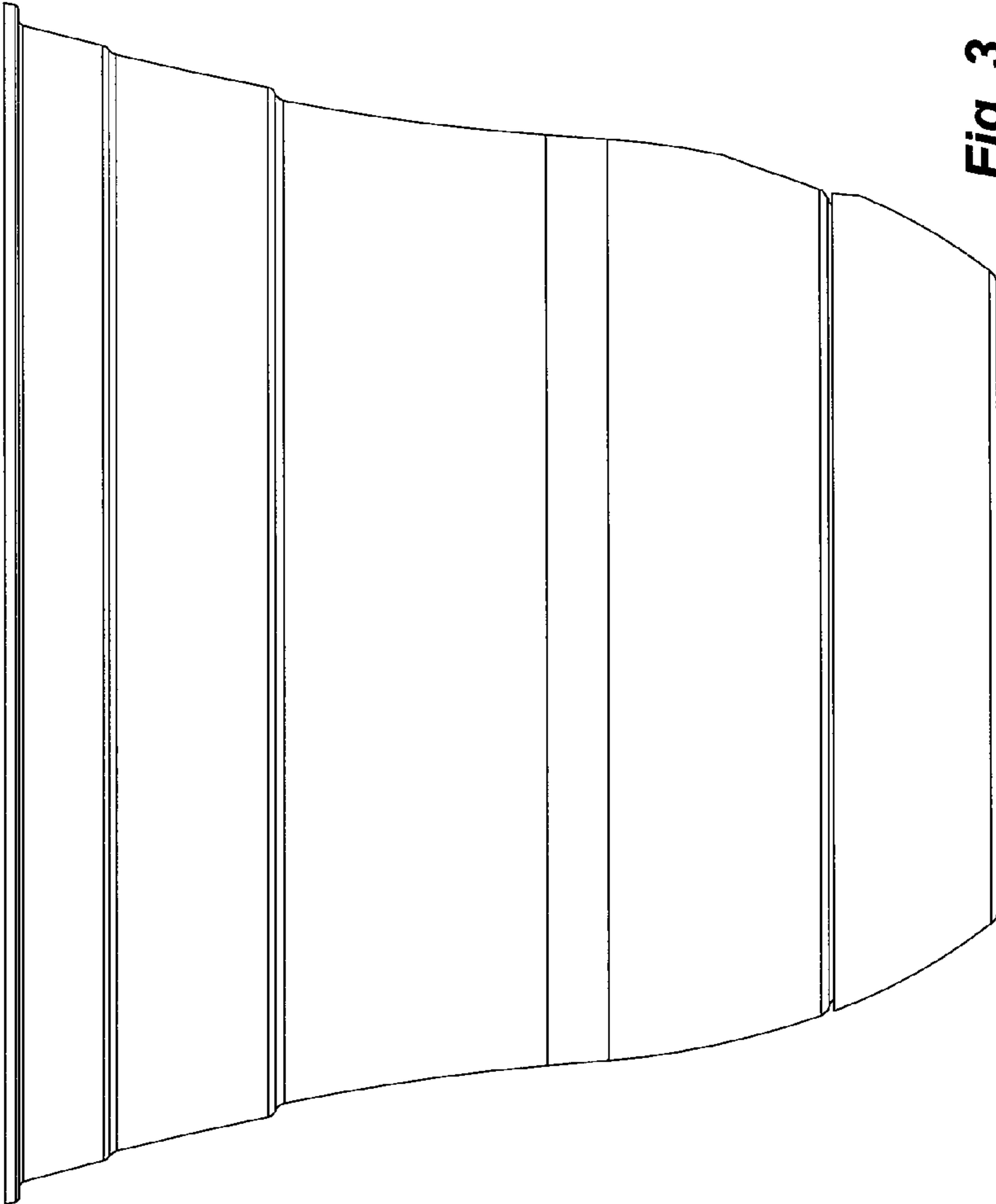


Fig. 3

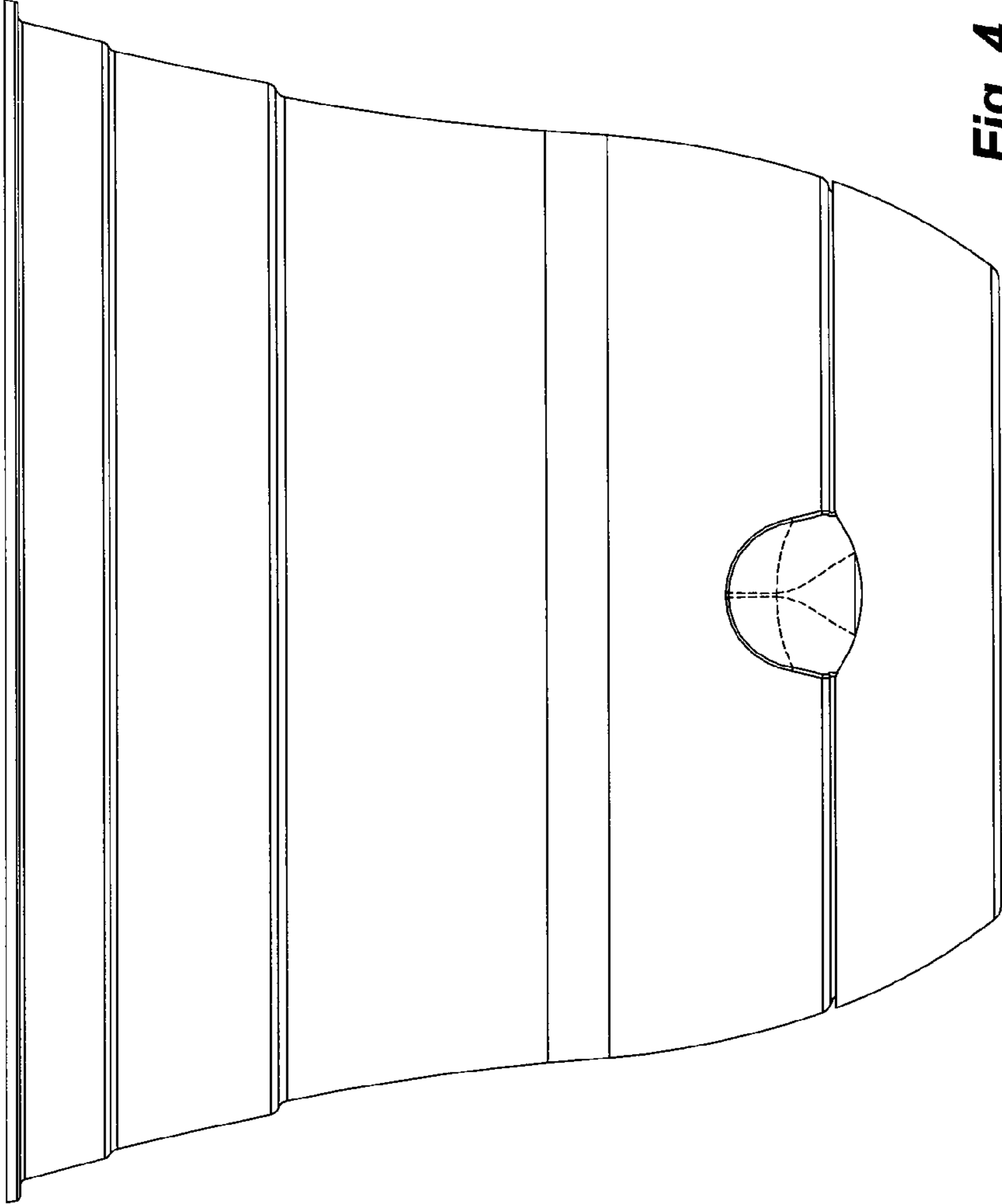


Fig. 4

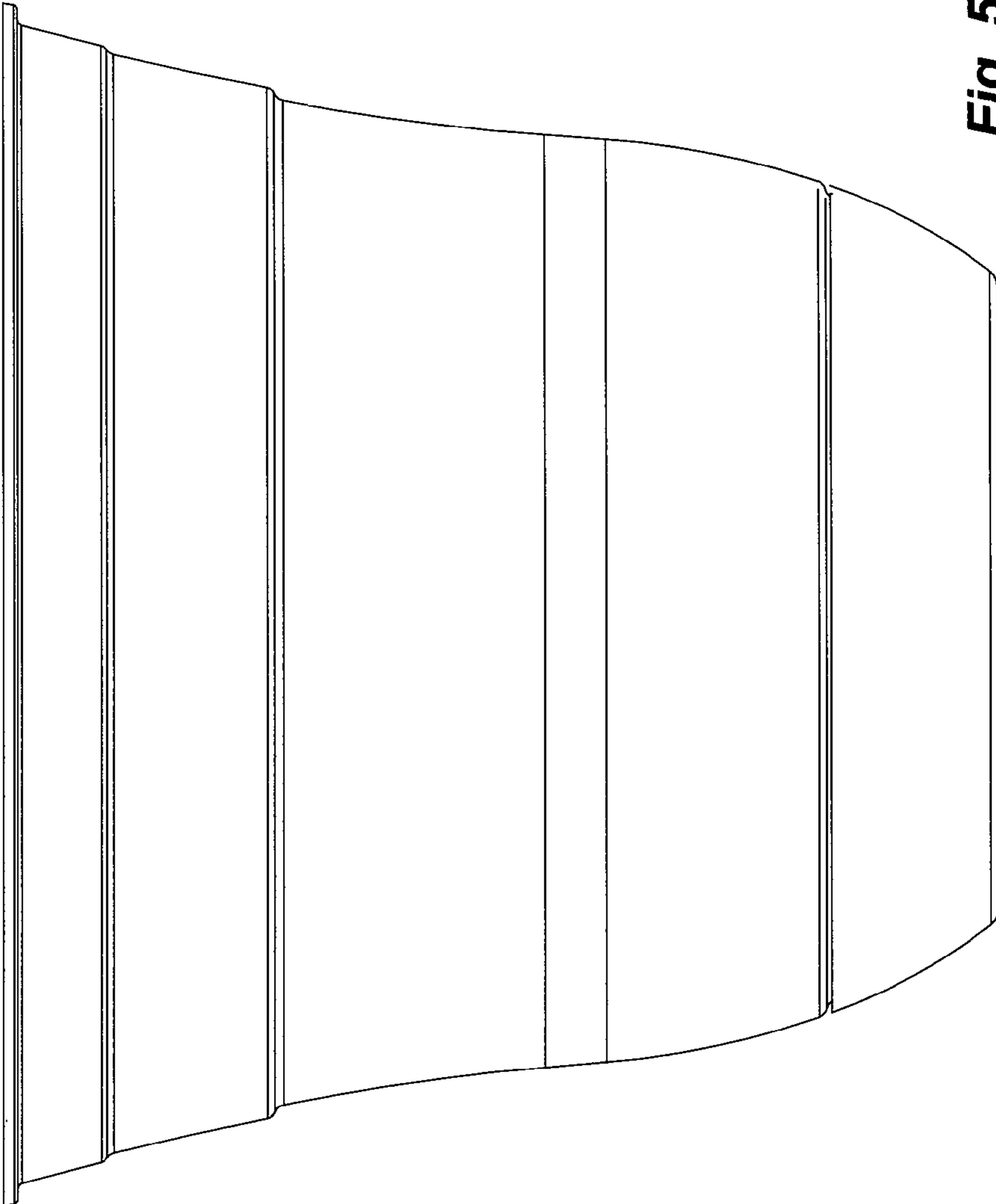


Fig. 5

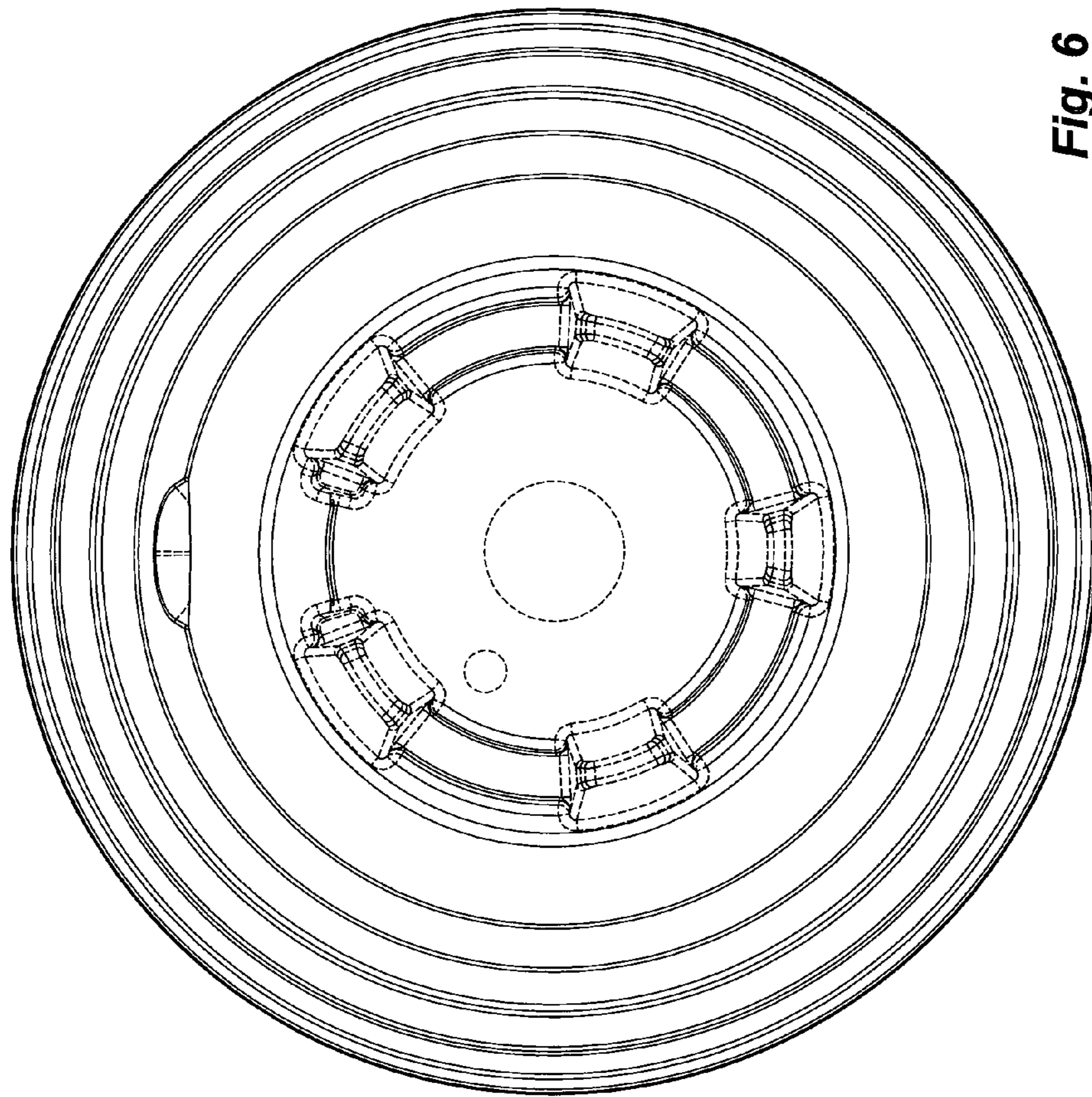


Fig. 6

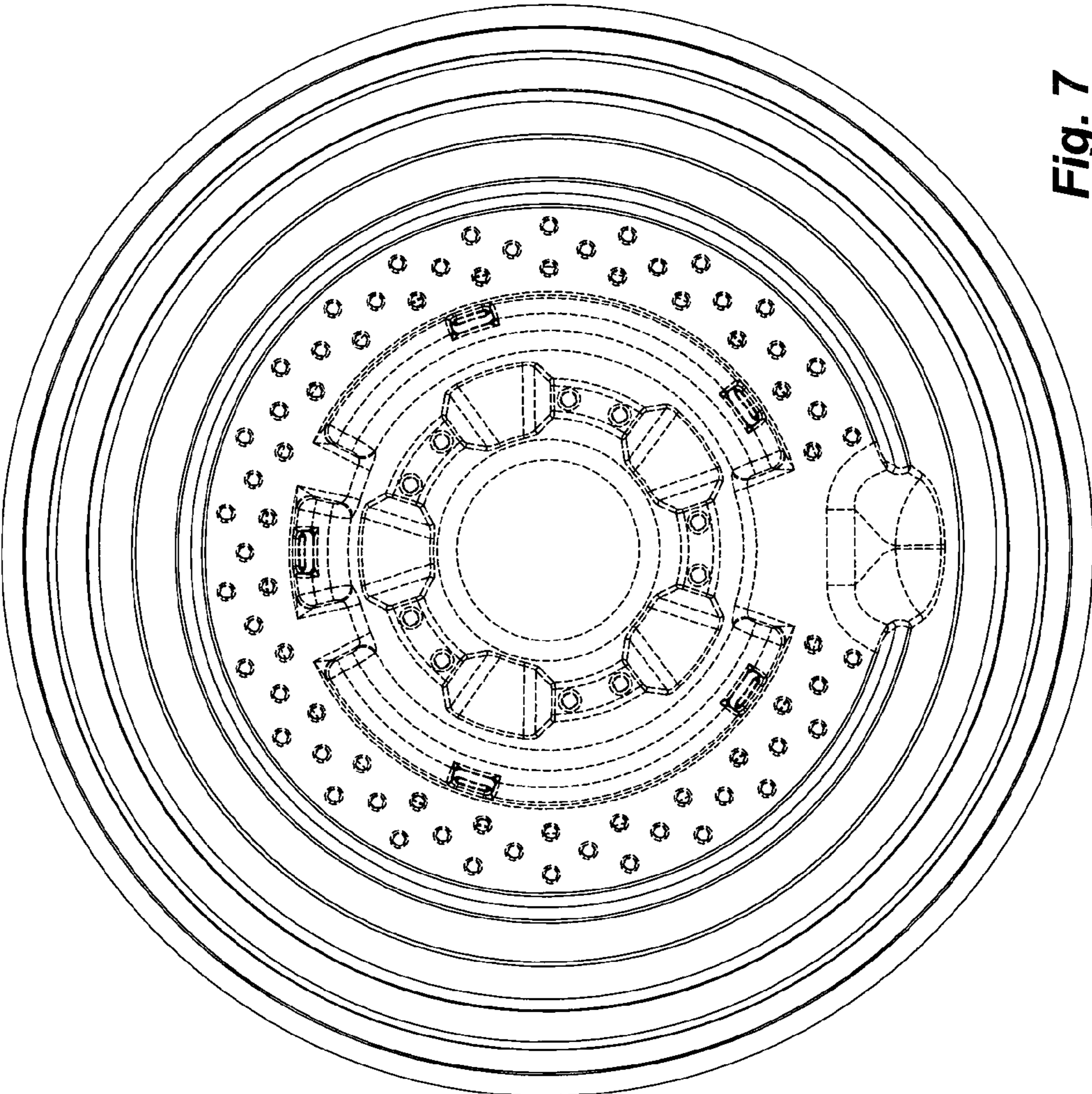


Fig. 7

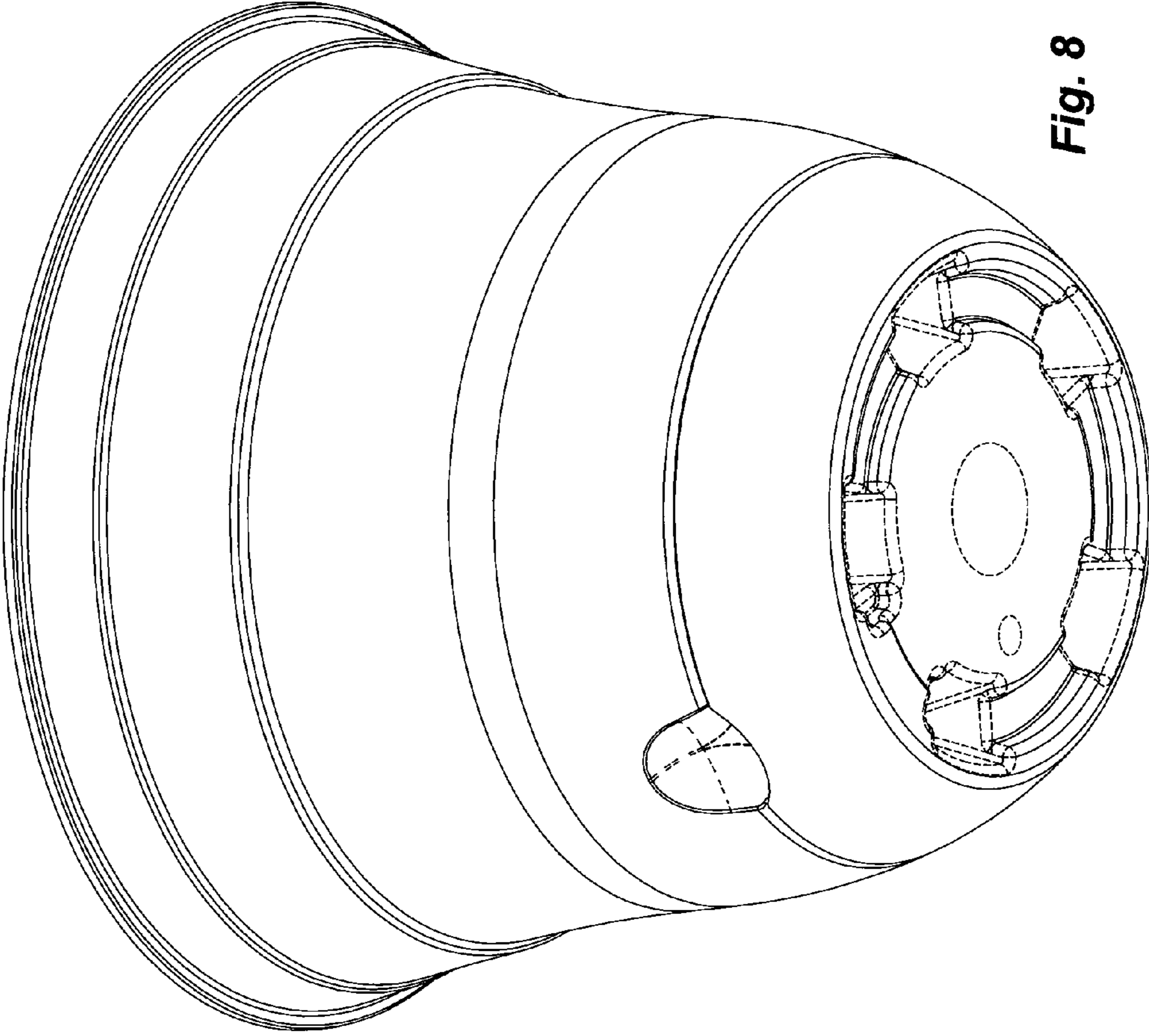


Fig. 8