



US00D713756S

(12) **United States Design Patent**
Thuma et al.

(10) **Patent No.:** **US D713,756 S**

(45) **Date of Patent:** **** Sep. 23, 2014**

- (54) **WICKING PLANTER**
- (71) Applicant: **Suncast Technologies, LLC**, Palm Beach Gardens, FL (US)
- (72) Inventors: **Michael Thuma**, La Grange, IL (US);
Brian C. Donnelly, Naperville, IL (US);
Michael R. Vogler, Oswego, IL (US)

D368,234 S *	3/1996	Dickinson et al.	D11/152
D369,760 S *	5/1996	Sanderson	D11/152
D382,512 S *	8/1997	Hulsebus	D11/152
D395,411 S *	6/1998	Grebert	D11/153
D436,887 S *	1/2001	Fan	D11/152
D461,742 S *	8/2002	Carlson	D11/152
D564,394 S *	3/2008	Schmidt	D11/152
D594,775 S *	6/2009	Moreau	D11/152

- (73) Assignee: **Suncast Technologies, LLC**, Palm Beach Gardens, FL (US)

(**) Term: **14 Years**

(21) Appl. No.: **29/465,455**

(22) Filed: **Aug. 28, 2013**

(51) **LOC (10) Cl.** **11-02**

(52) **U.S. Cl.**
USPC **D11/152**

(58) **Field of Classification Search**
USPC D6/403-405, 556-558; D11/143-156,
D11/164; D19/77, 80, 81, 84; D26/9-11,
D26/16, 19; D34/1, 2, 4-6; D99/5, 19;
47/17, 32.7, 33, 39, 41.01, 41.1,
47/41.11-41.15, 44-47, 63, 65.5, 65.9,
47/66.1, 66.2, 66.6, 66.7, 67-71
See application file for complete search history.

(56) **References Cited**

U.S. PATENT DOCUMENTS

D313,203 S *	12/1990	Carlson	D11/153
D331,549 S *	12/1992	Embree	D11/153
D340,674 S *	10/1993	Carlson	D11/152
D346,135 S *	4/1994	Carlson	D11/153
D352,479 S *	11/1994	Carlson	D11/153

OTHER PUBLICATIONS

Self-Watering Planter by Mainstays dated Jun. 11, 2011. found online Jan. 6, 2013 <http://www.walmart.com/ip/Mainstays-5.2-Self-Watering-Planter/16630836>.*

* cited by examiner

Primary Examiner — Robert M Spear

Assistant Examiner — Marissa Cash

(74) *Attorney, Agent, or Firm* — McHale & Slavin, P.A.

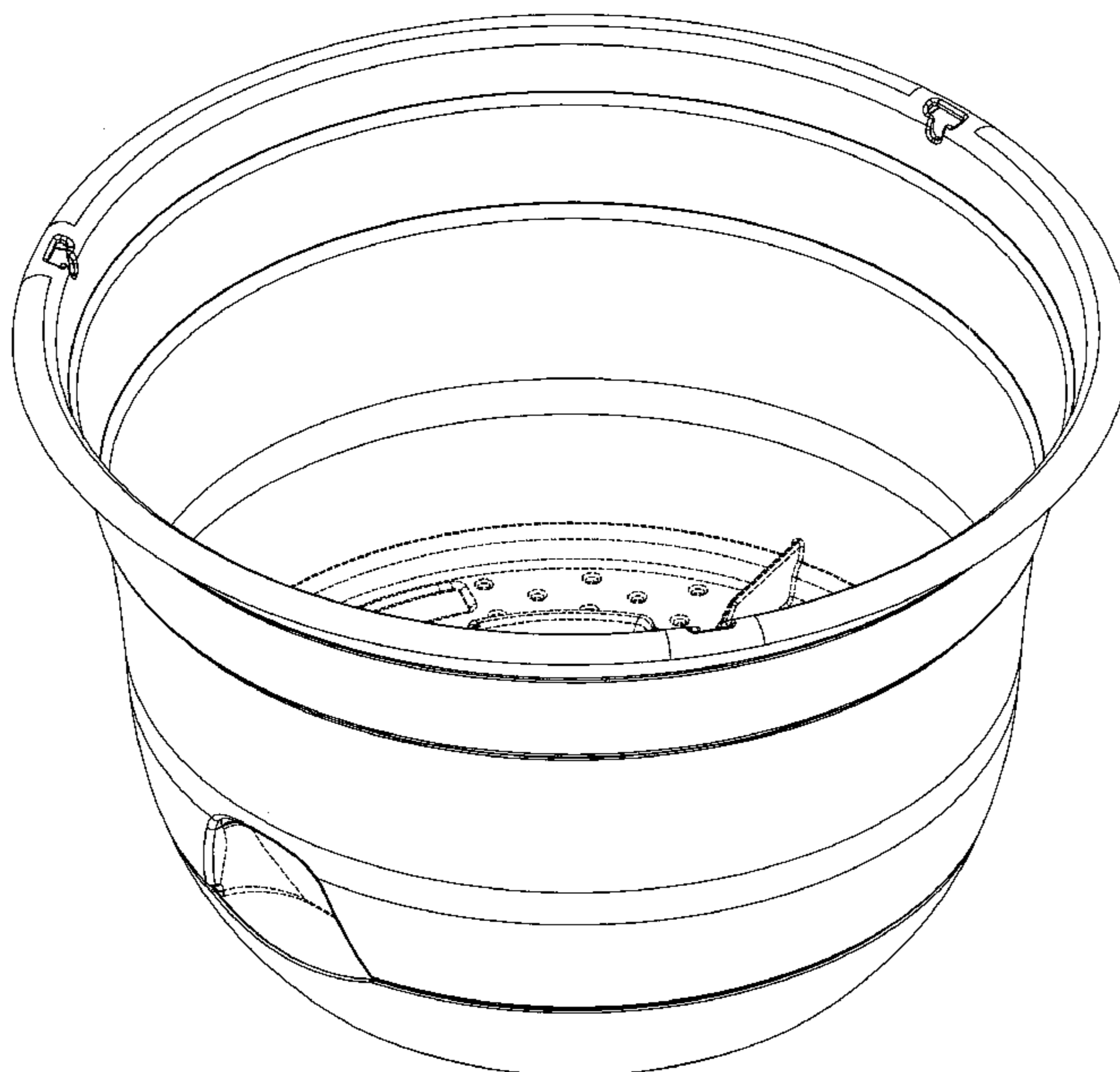
(57) **CLAIM**

The ornamental design for a wicking planter, as shown and described.

DESCRIPTION

FIG. 1 is a top right perspective view of the wicking planter of the present invention;
FIG. 2 is a left side view thereof;
FIG. 3 is a right side view thereof;
FIG. 4 is a front view thereof;
FIG. 5 is a rear view thereof;
FIG. 6 is a top view thereof;
FIG. 7 is a bottom view thereof; and,
FIG. 8 is a bottom right perspective view thereof.
The portions of the wicking planter illustrated in broken lines form no part of the claimed subject matter.

1 Claim, 8 Drawing Sheets



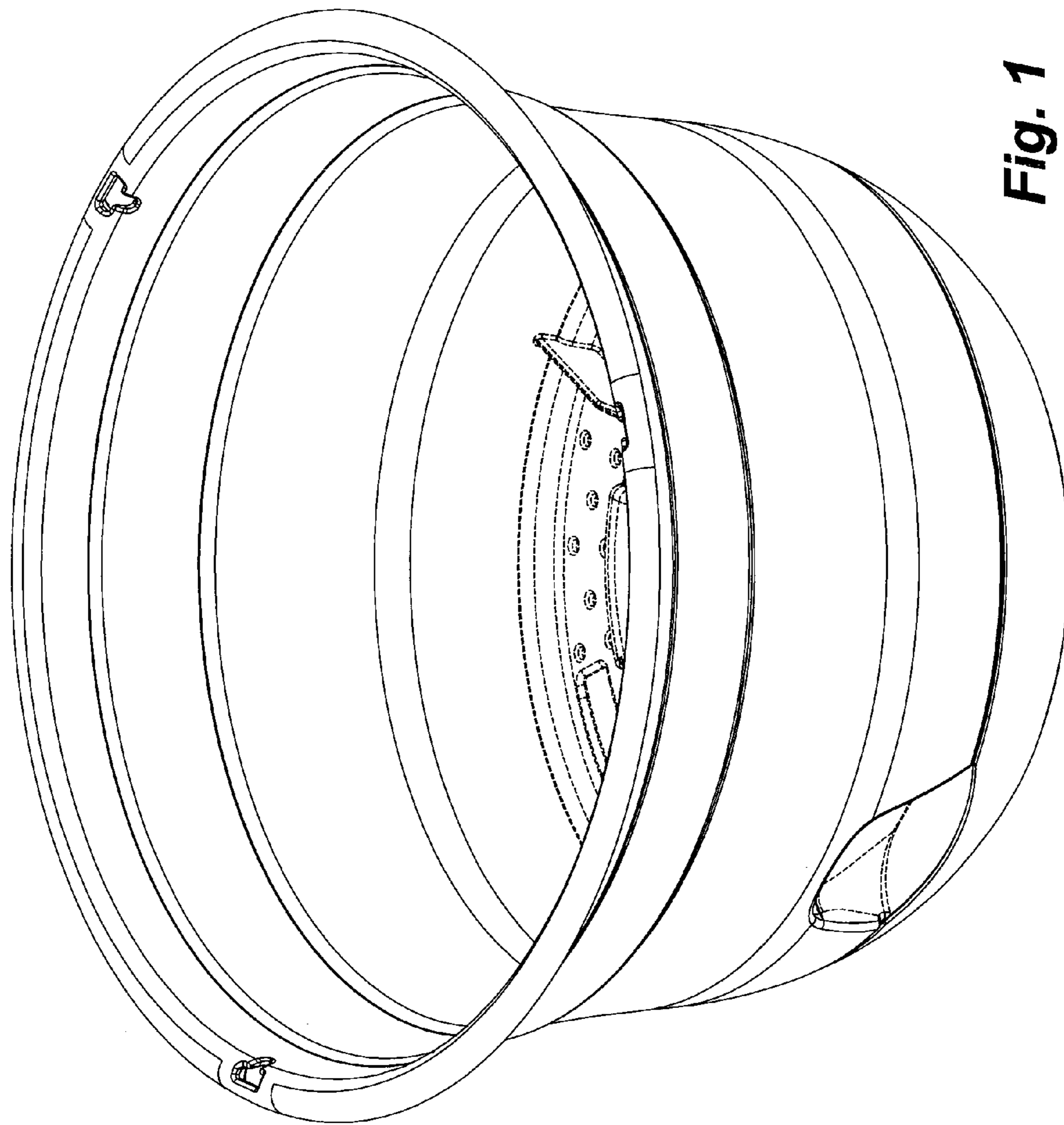


Fig. 1



Fig. 2

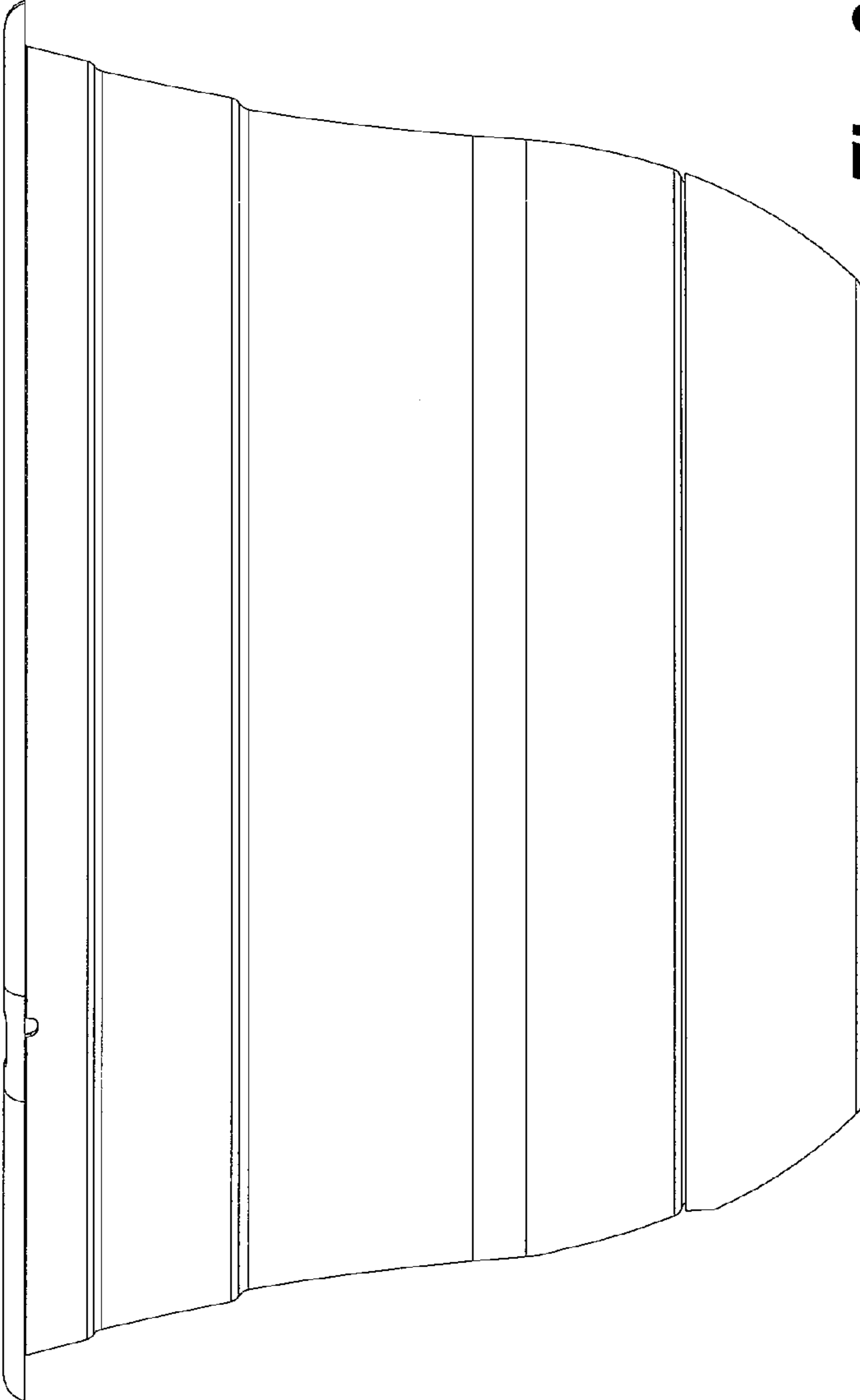


Fig. 3

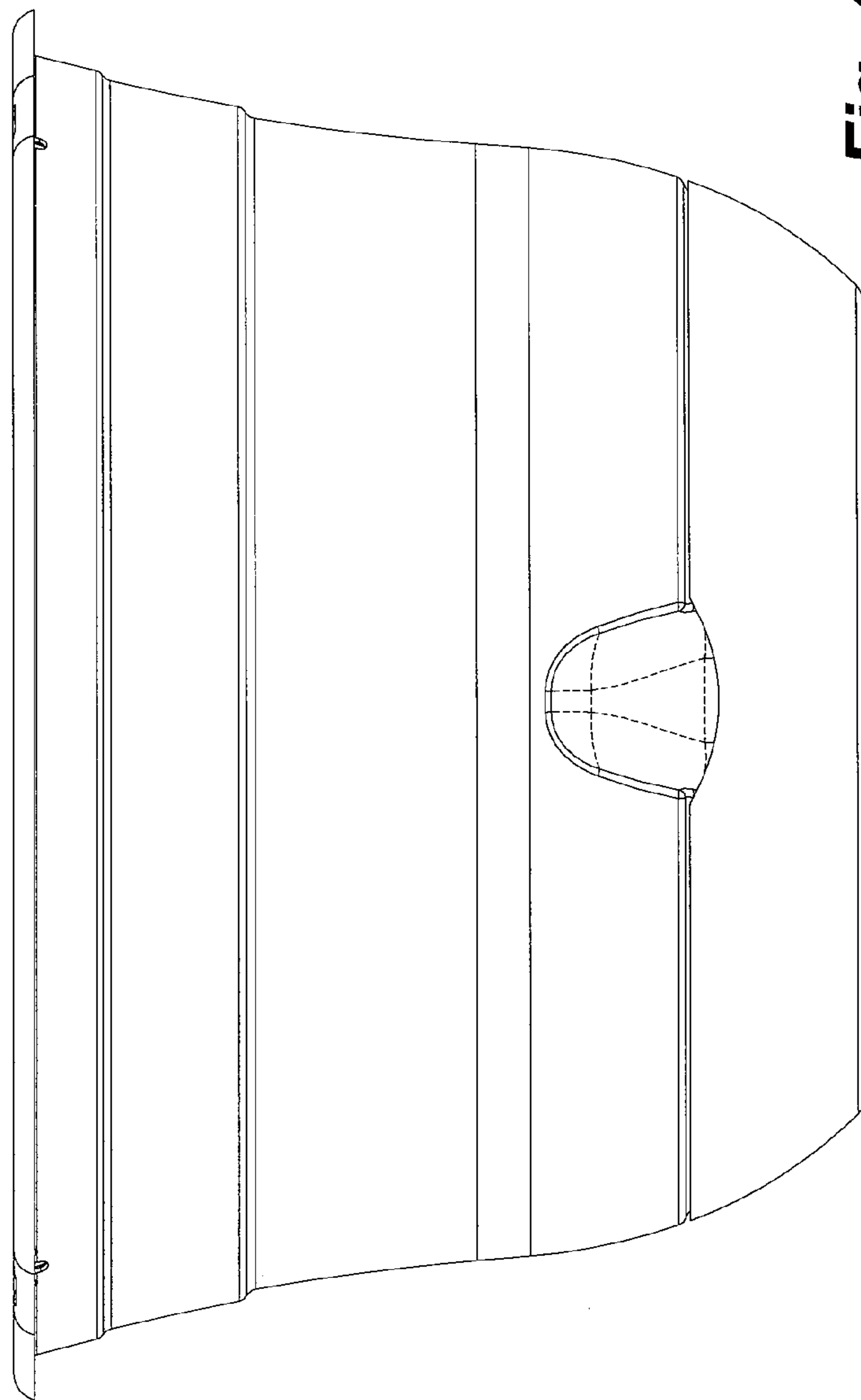


Fig. 4



Fig. 5

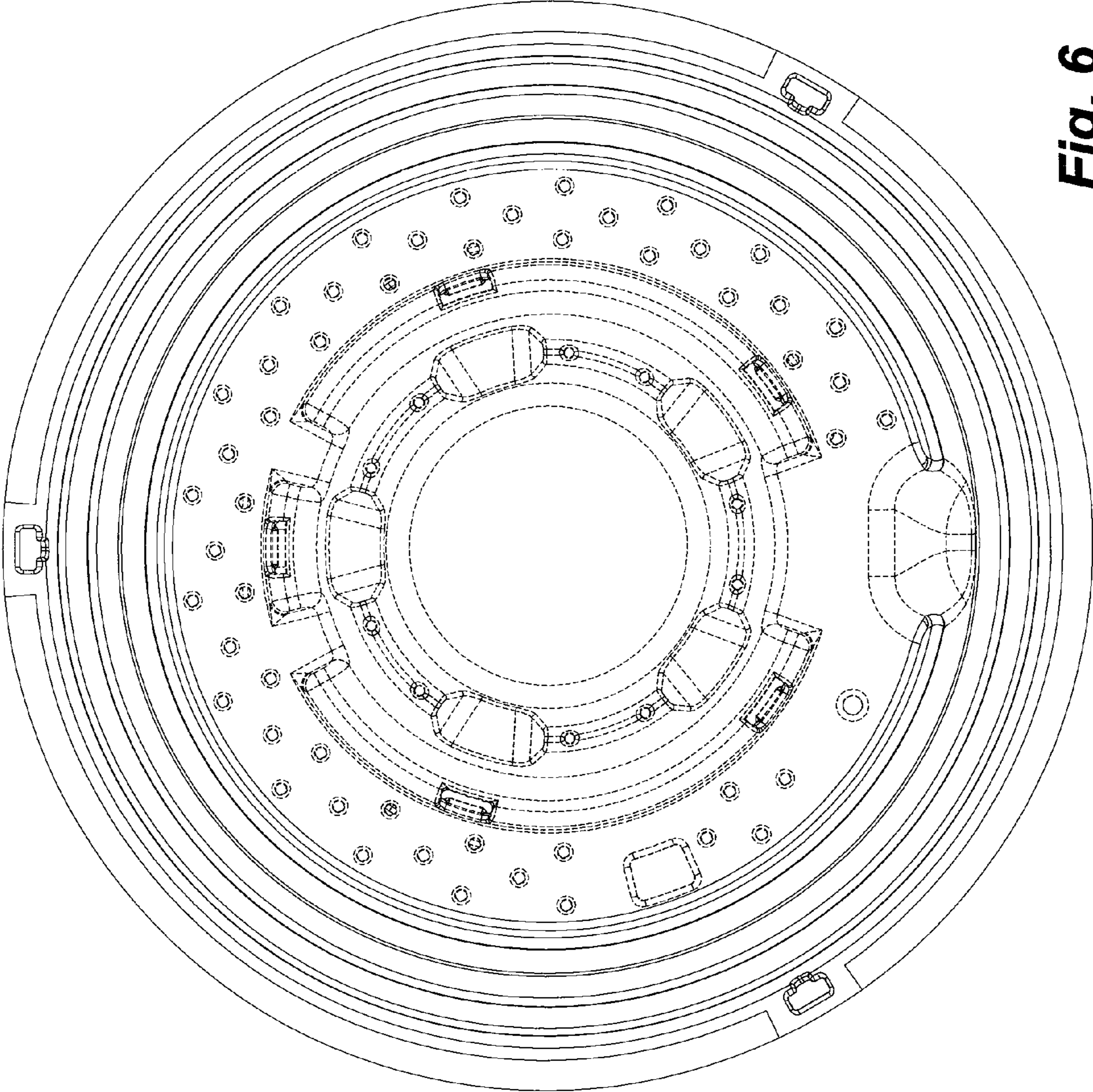


Fig. 6

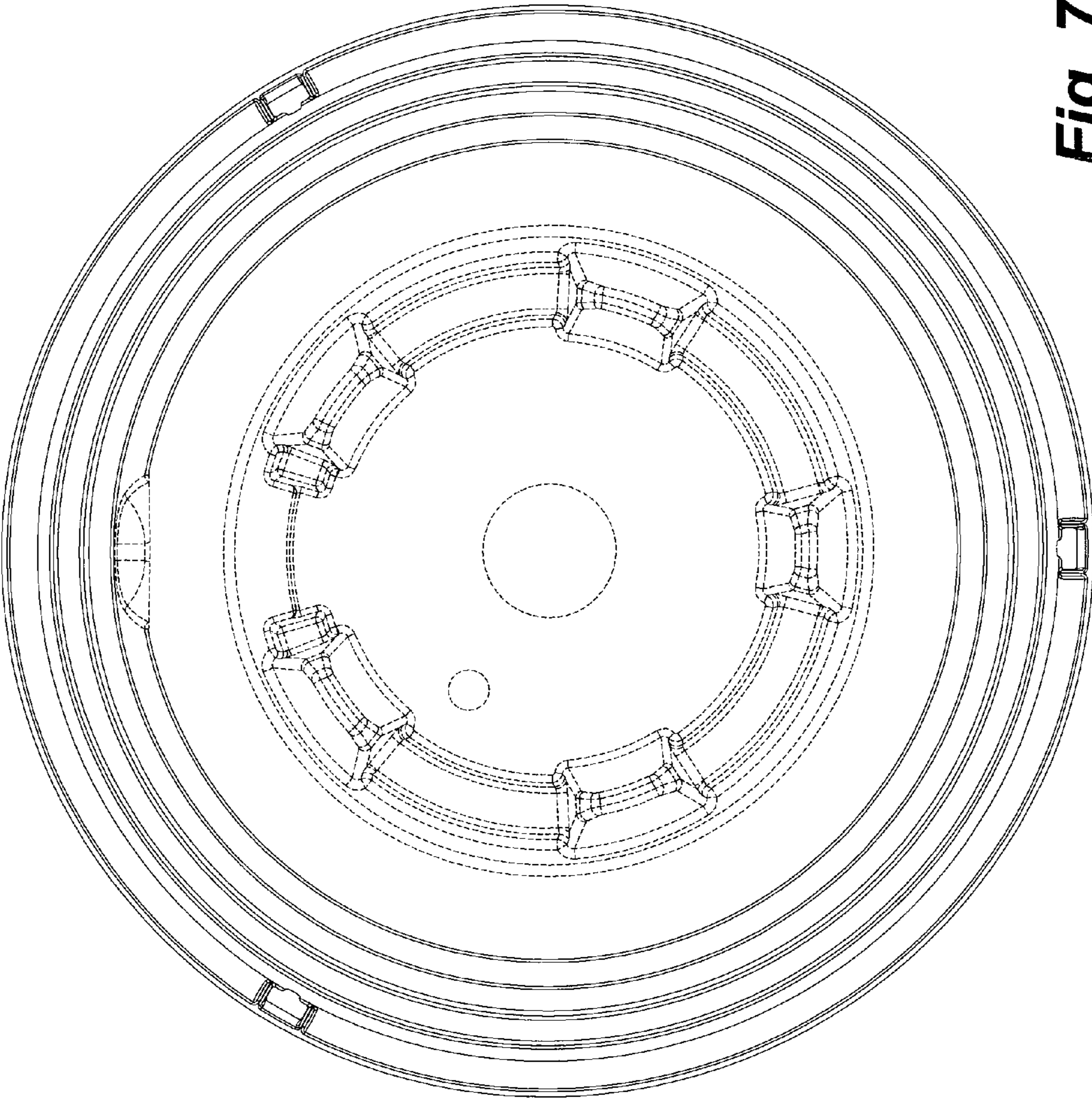


Fig. 7

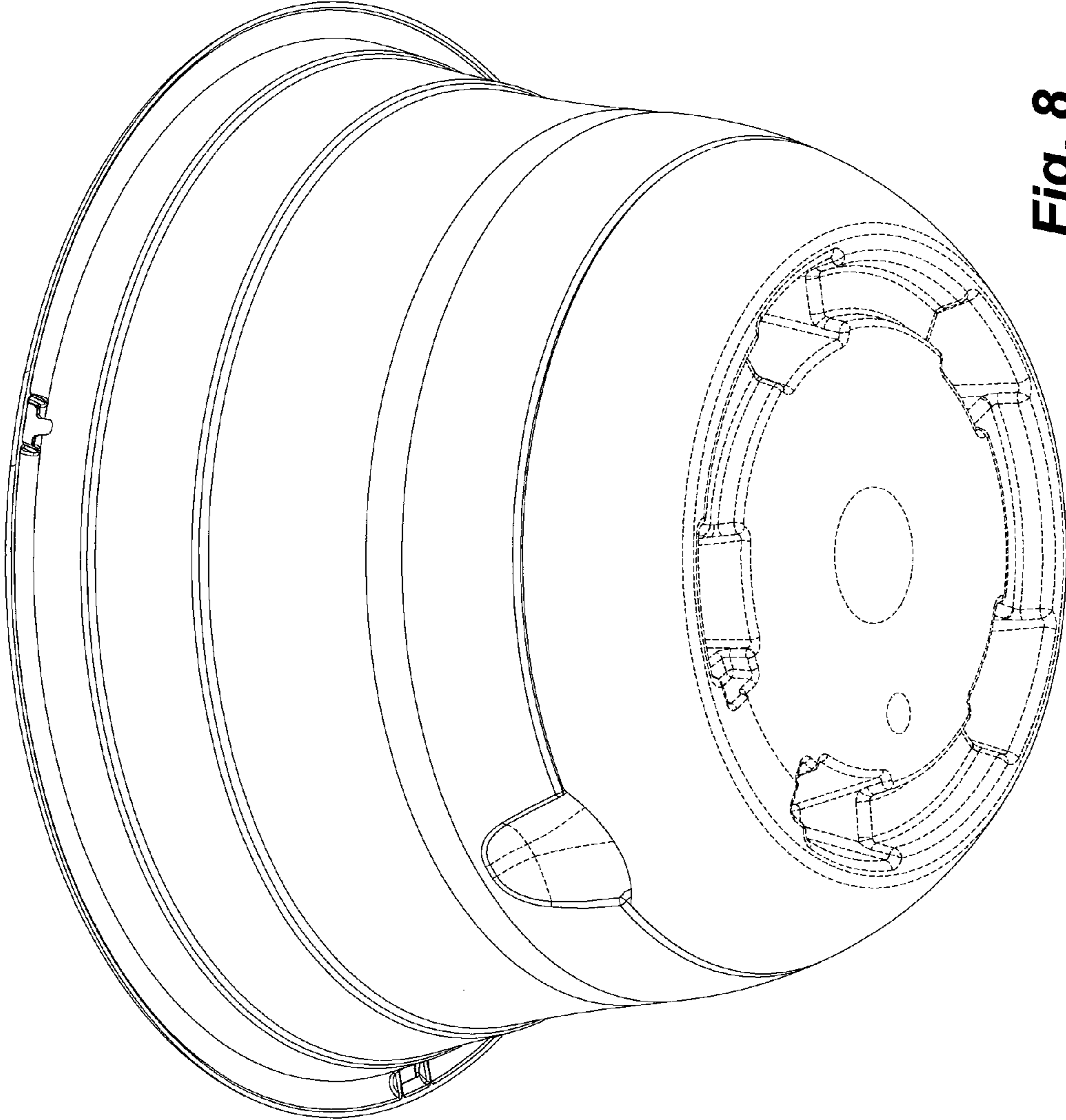


Fig. 8