



US00D713752S

(12) **United States Design Patent**
Holbein

(10) **Patent No.:** **US D713,752 S**

(45) **Date of Patent:** **** Sep. 23, 2014**

(54) **SOIL METER**

(71) Applicant: **Luster Leaf Products, Inc.**, Woodstock, IL (US)

(72) Inventor: **Christopher G. Holbein**, Woodstock, IL (US)

(73) Assignee: **Luster Leaf Products, Inc.**, Woodstock, IL (US)

(**) Term: **14 Years**

(21) Appl. No.: **29/453,750**

(22) Filed: **May 2, 2013**

(51) **LOC (10) Cl.** **10-04**

(52) **U.S. Cl.**
USPC **D10/81; D10/53**

(58) **Field of Classification Search**
CPC G01N 3/42; G01N 27/041; G01N 27/048;
G01R 27/14; G01R 27/20
USPC D10/52, 53, 56, 81; 73/29.05, 64.56,
73/84, 149, 784, 864.34-864.45; 175/19,
175/20, 50, 58, 226; 204/433; 324/694,
324/696; 422/101, 102; 436/103, 106, 163,
436/905

See application file for complete search history.

(56) **References Cited**

U.S. PATENT DOCUMENTS

3,872,717 A * 3/1975 Fox 73/84
3,968,428 A * 7/1976 Numoto 324/694

D247,702 S * 4/1978 Schwartz D10/56
D249,654 S * 9/1978 Shaper D10/53
D261,871 S * 11/1981 Akers, Jr. D10/81
D275,268 S * 8/1984 Molloy et al. D10/81
6,076,396 A * 6/2000 Dadachanji et al. 73/73
D616,314 S * 5/2010 Akomolede D10/56
D632,596 S * 2/2011 Marsden et al. D10/56
D632,597 S * 2/2011 Marsden et al. D10/56
D681,487 S * 5/2013 Lee et al. D10/81
8,656,759 B2 * 2/2014 Hughes et al. 73/81

* cited by examiner

Primary Examiner — Antoine D Davis

(74) *Attorney, Agent, or Firm* — David I. Roche; Baker & McKenzie LLP

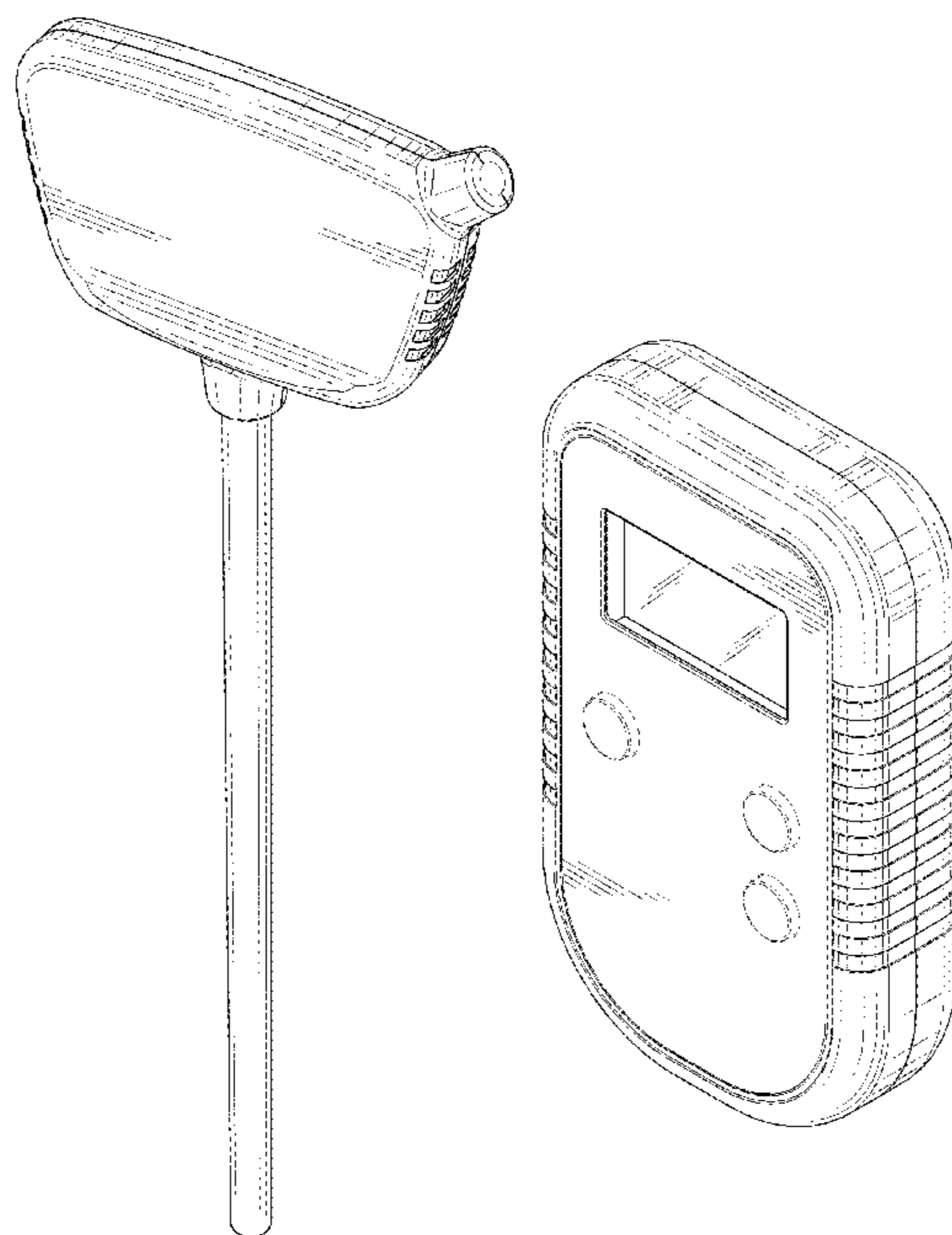
(57) **CLAIM**

The ornamental design for a soil meter, as shown and described.

DESCRIPTION

FIG. 1 is a front perspective view showing my new design; FIG. 2 is a front view thereof; FIG. 3 is a back view thereof; FIG. 4 is a left view thereof; FIG. 5 is a right view thereof; FIG. 6 is a top view thereof; FIG. 7 is a bottom view thereof; and, FIG. 8 is an alternative front perspective view. Dotted lines shown in FIGS. 1 through 8 depict structure that forms no part of the claimed design.

1 Claim, 8 Drawing Sheets



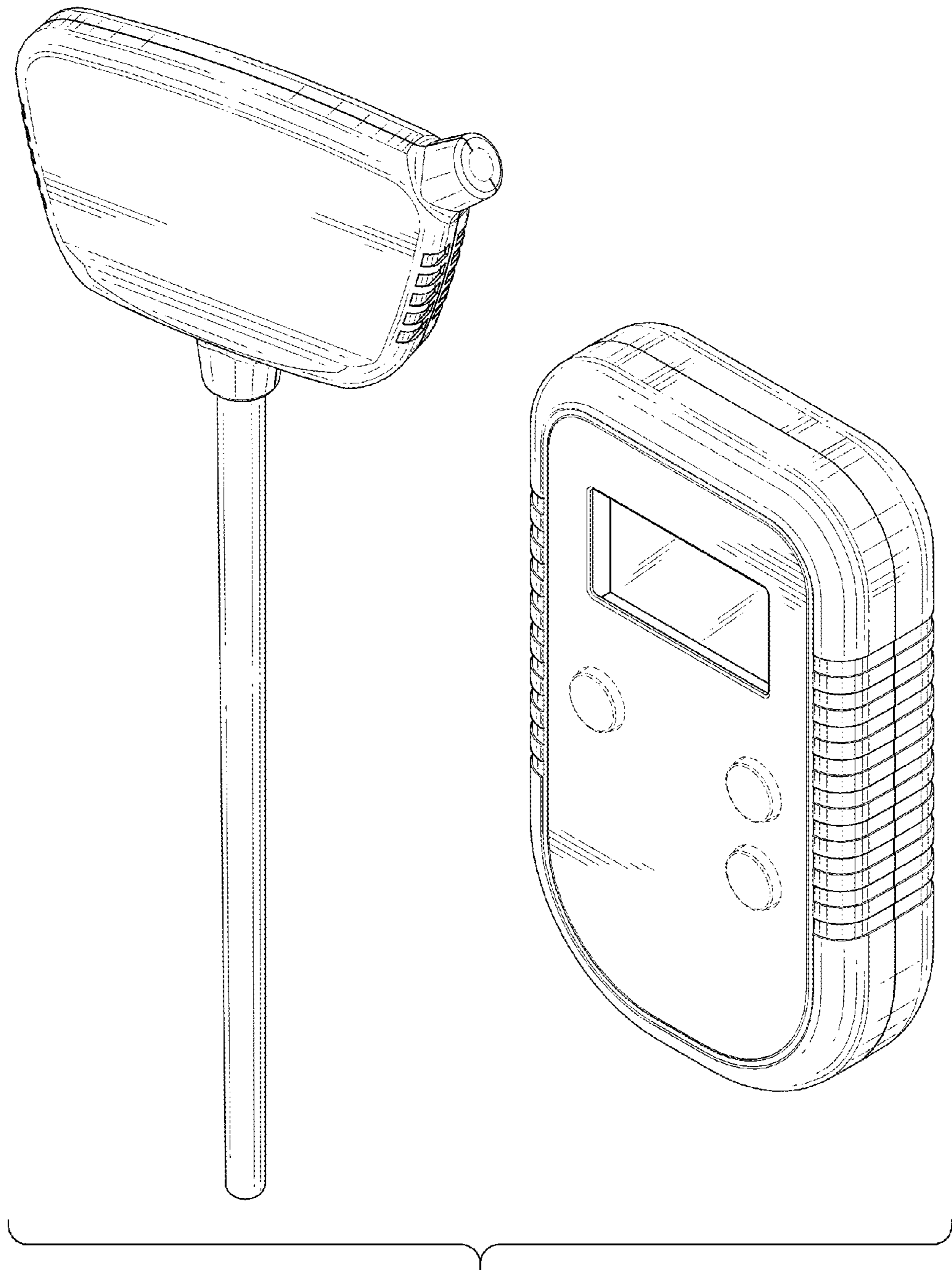


FIG. 1

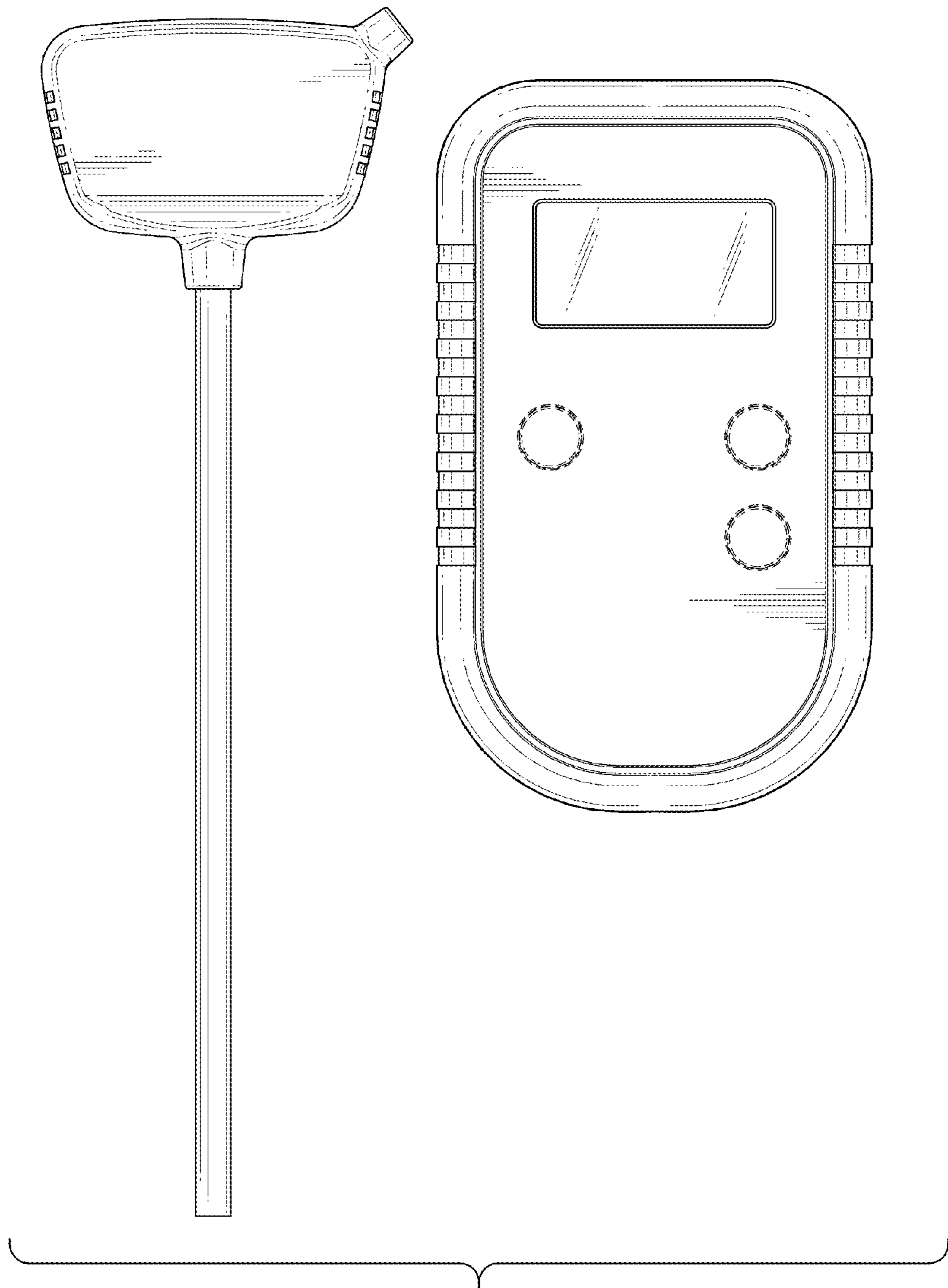


FIG. 2

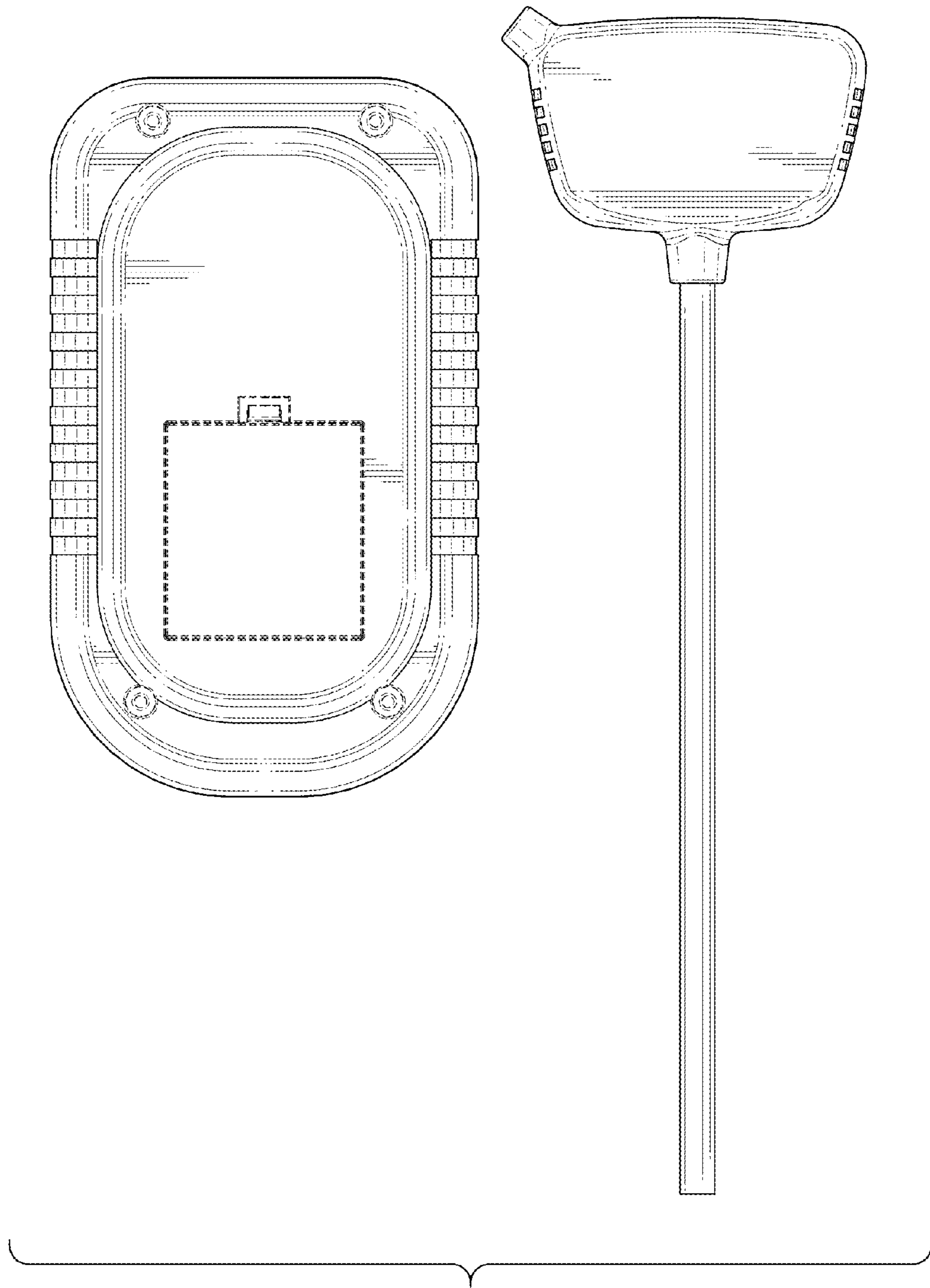


FIG. 3

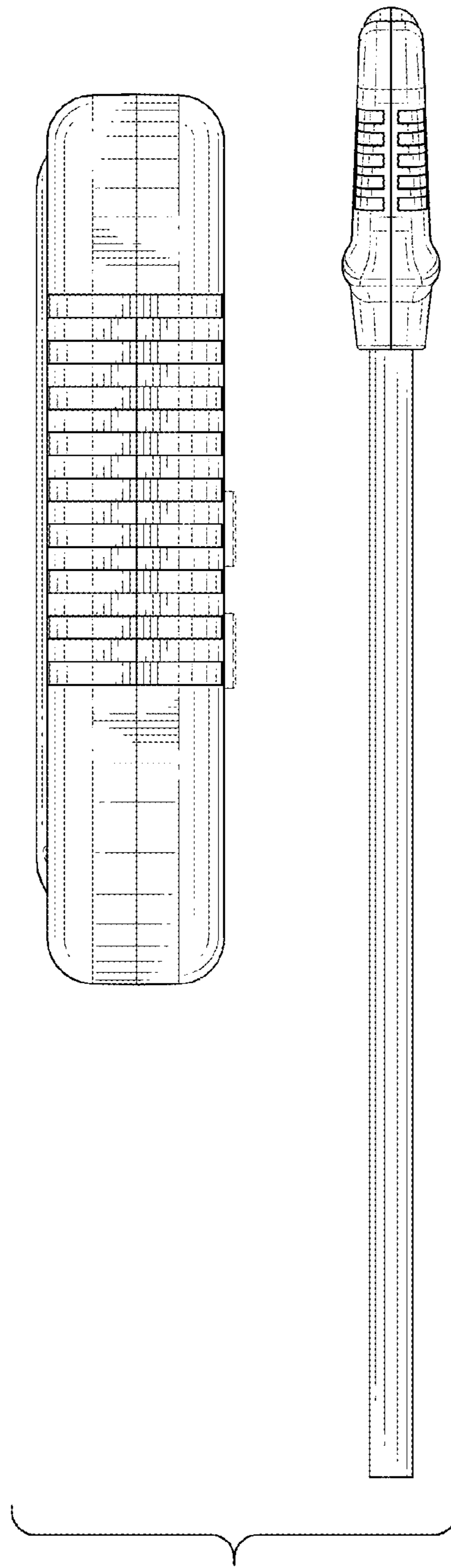


FIG.4

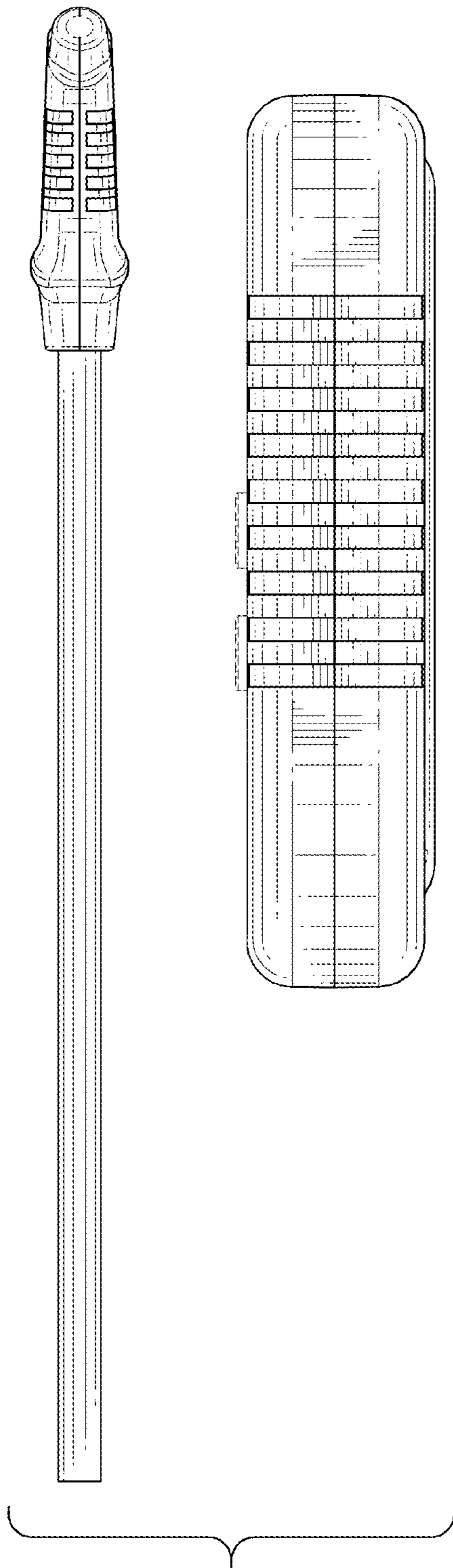


FIG. 5

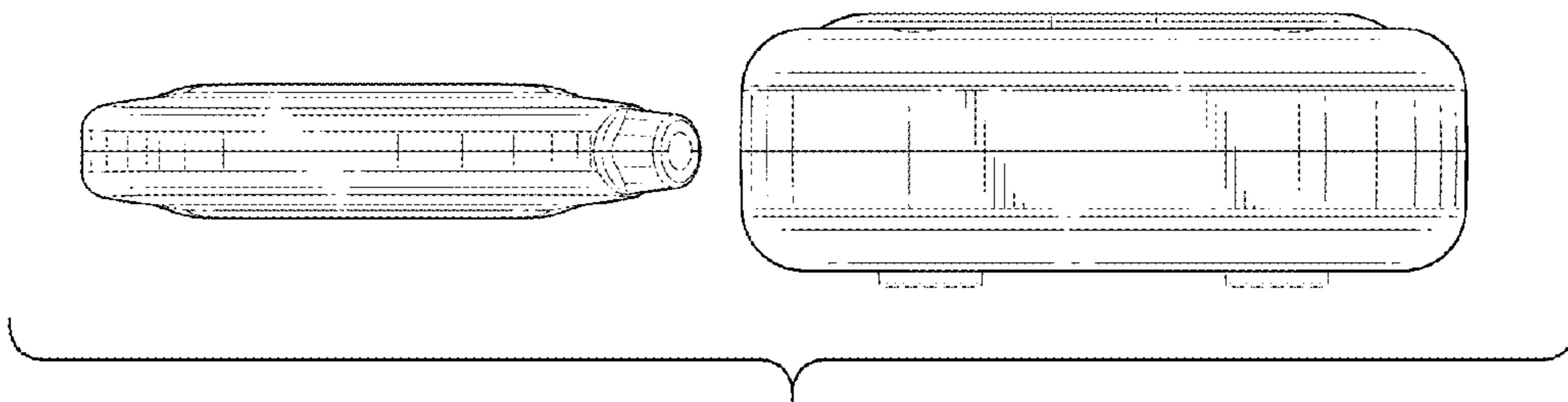


FIG. 6

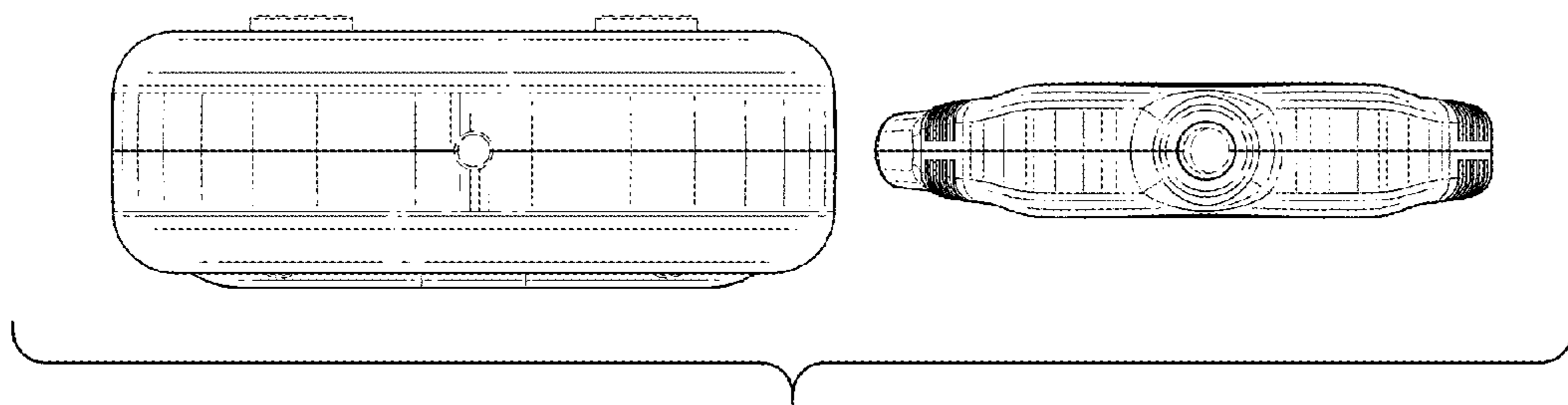


FIG. 7

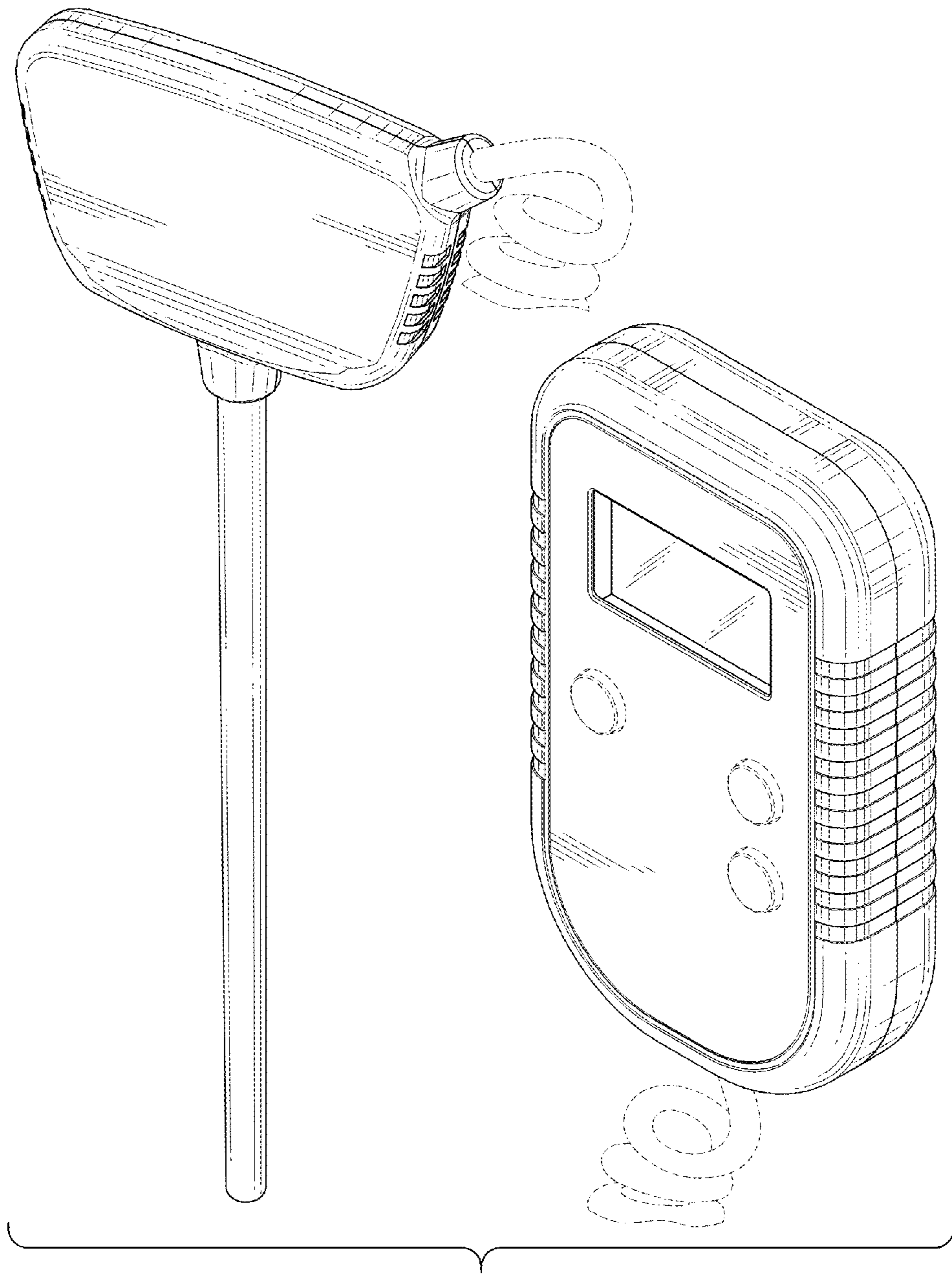


FIG.8