



US00D713751S

(12) **United States Design Patent**
Nadeau

(10) **Patent No.:** **US D713,751 S**

(45) **Date of Patent:** **** Sep. 23, 2014**

(54) **OPTICAL FIBER INSPECTION PROBE**

- (71) Applicant: **Exfo Inc.**, Quebec (CA)
- (72) Inventor: **Sebastien Nadeau**,
Saint-Augustin-de-Desmaures (CA)
- (73) Assignee: **Exfo Inc.**, Quebec (CA)
- (**) Term: **14 Years**

(21) Appl. No.: **29/460,843**

(22) Filed: **Jul. 16, 2013**

(51) **LOC (10) Cl.** **10-04**

(52) **U.S. Cl.**
USPC **D10/78; D10/81**

(58) **Field of Classification Search**

CPC G01M 11/088; G02B 6/25; G02B 6/3807;
G02B 6/3866; G02B 6/3885; G02B 6/3846;
G02B 6/3863; G01B 11/2441; G01B 11/303;
G01N 21/8806; G01N 21/952
USPC D10/78; 356/73.1, 244, 218, 237,
356/237.6; 250/227.24; 385/89, 137, 134,
385/135, 136, 76, 85, 95, 97, 98

See application file for complete search history.

(56) **References Cited**

U.S. PATENT DOCUMENTS

7,016,052 B2 * 3/2006 Bloch et al. 356/601
D530,233 S * 10/2006 Janky D10/78
8,520,201 B2 * 8/2013 Huang 356/244

OTHER PUBLICATIONS

EXFO Inc., Specification Sheet, FIP-400 Fiber Inspection Probe—
Network Testing—Optical, Dec. 2011, pp. 1-5, Canada.
Fluke Networks, Fiber Inspection and Cleaning Series, Sep. 2011,
pp. 1-4, United States.
JDSU, FBP Probe Microscope—Handheld Analog Video Probe
Microscope for Fiber Inspection, Feb. 2009.

* cited by examiner

Primary Examiner — Antoine D Davis

(74) *Attorney, Agent, or Firm* — Norton Rose Fulbright
Canada LLP; Alexandre Dacust

(57) **CLAIM**

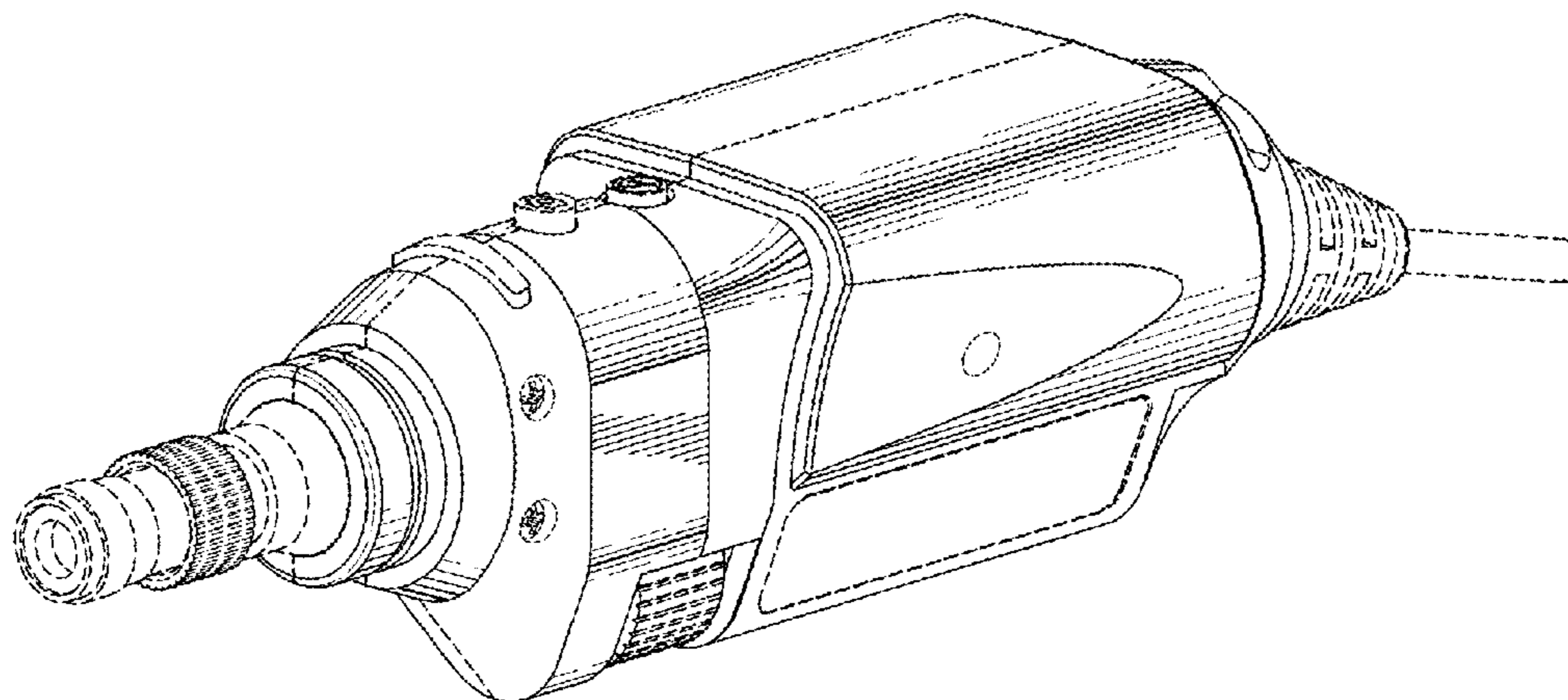
The ornamental design for an optical fiber inspection probe,
as shown and described.

DESCRIPTION

FIG. 1 is an oblique perspective view of an optical fiber
inspection probe showing my new design;
FIG. 2 is a left side elevation view thereof;
FIG. 3 is a right side elevation view thereof;
FIG. 4 is a front elevation view thereof;
FIG. 5 is a rear elevation view thereof;
FIG. 6 is a top plan view thereof; and,
FIG. 7 is a bottom plan thereof.

The dashed line showing of structural lines is included for the
purpose of illustrating non-claimed subject matter and forms
no part of the claimed design.

1 Claim, 5 Drawing Sheets



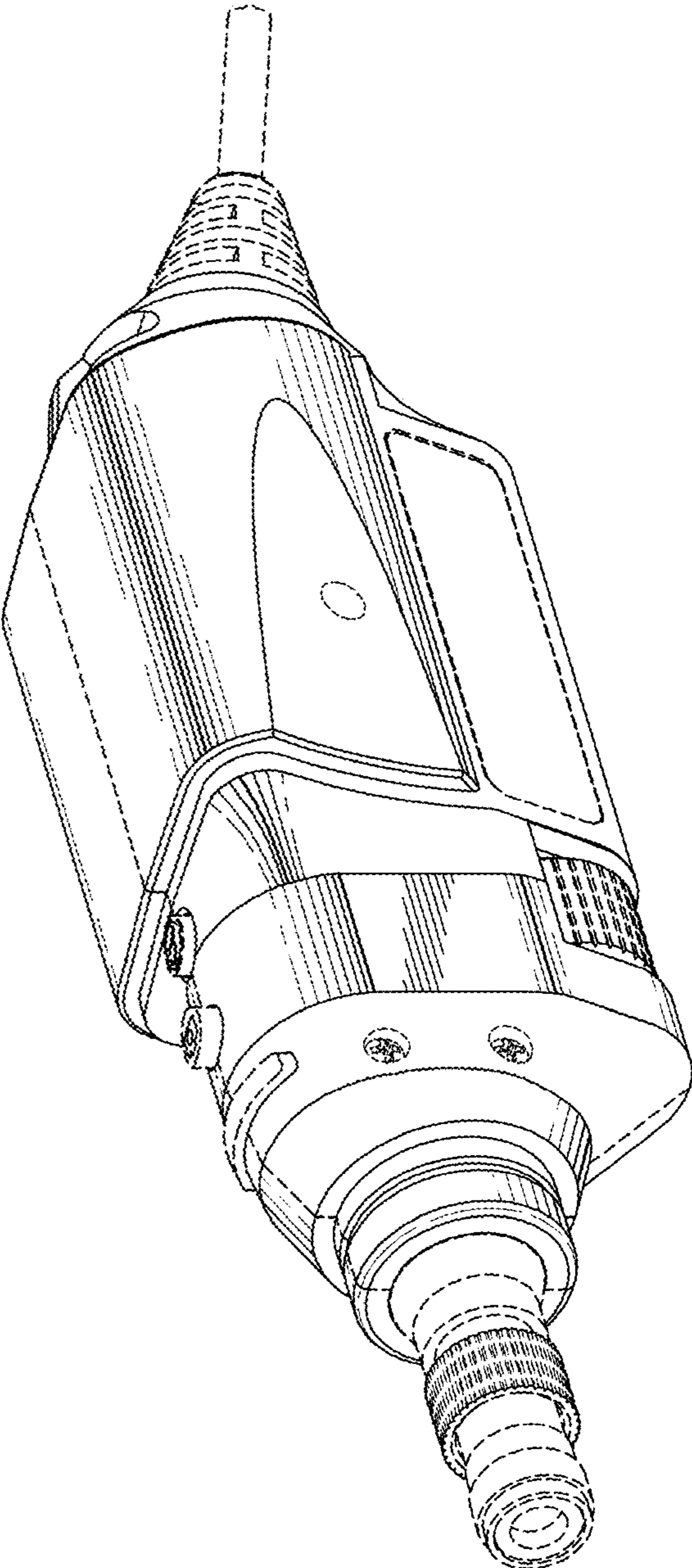


Fig-1

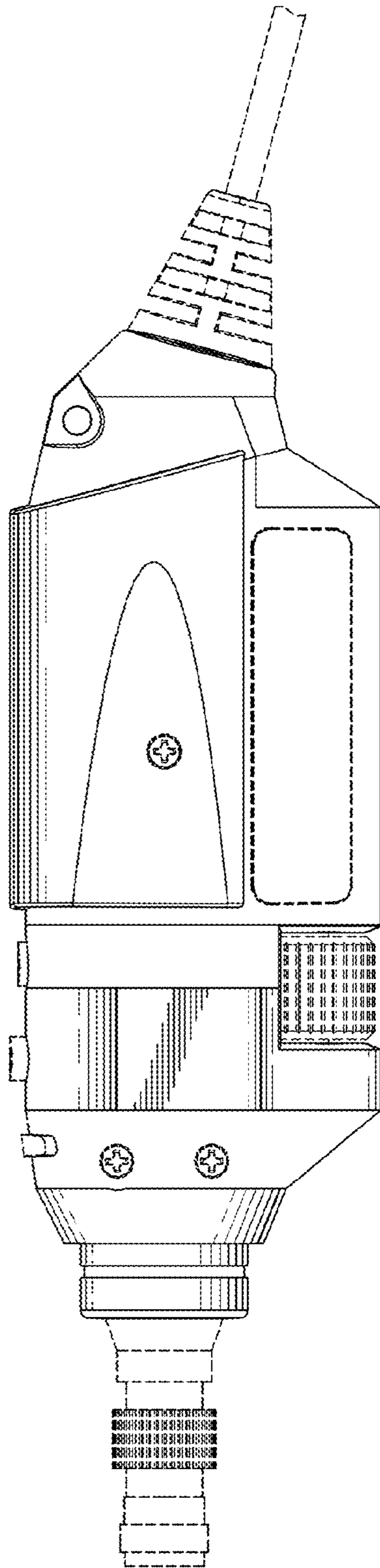


FIG. 2

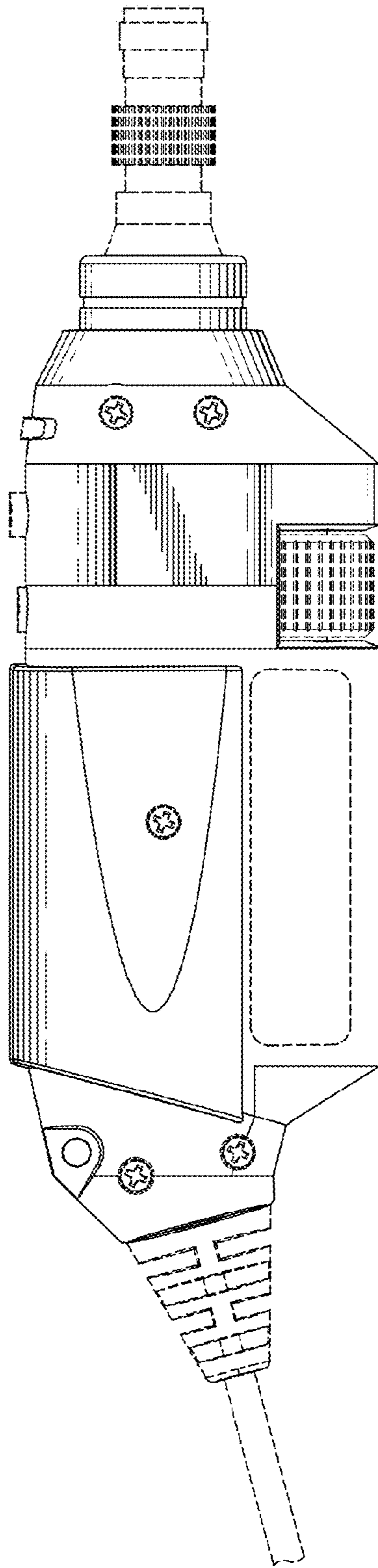


FIG. 3

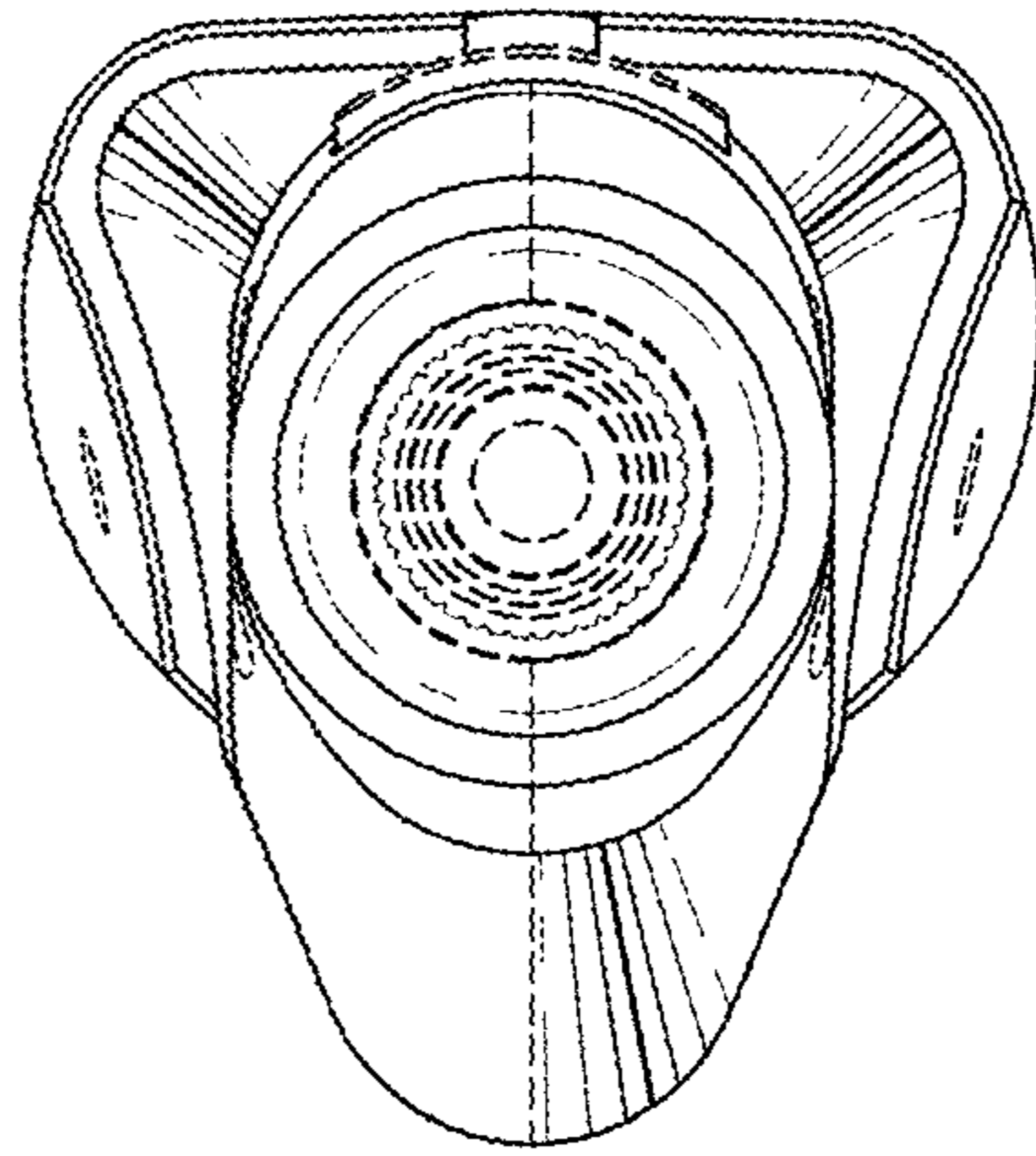


Fig-4

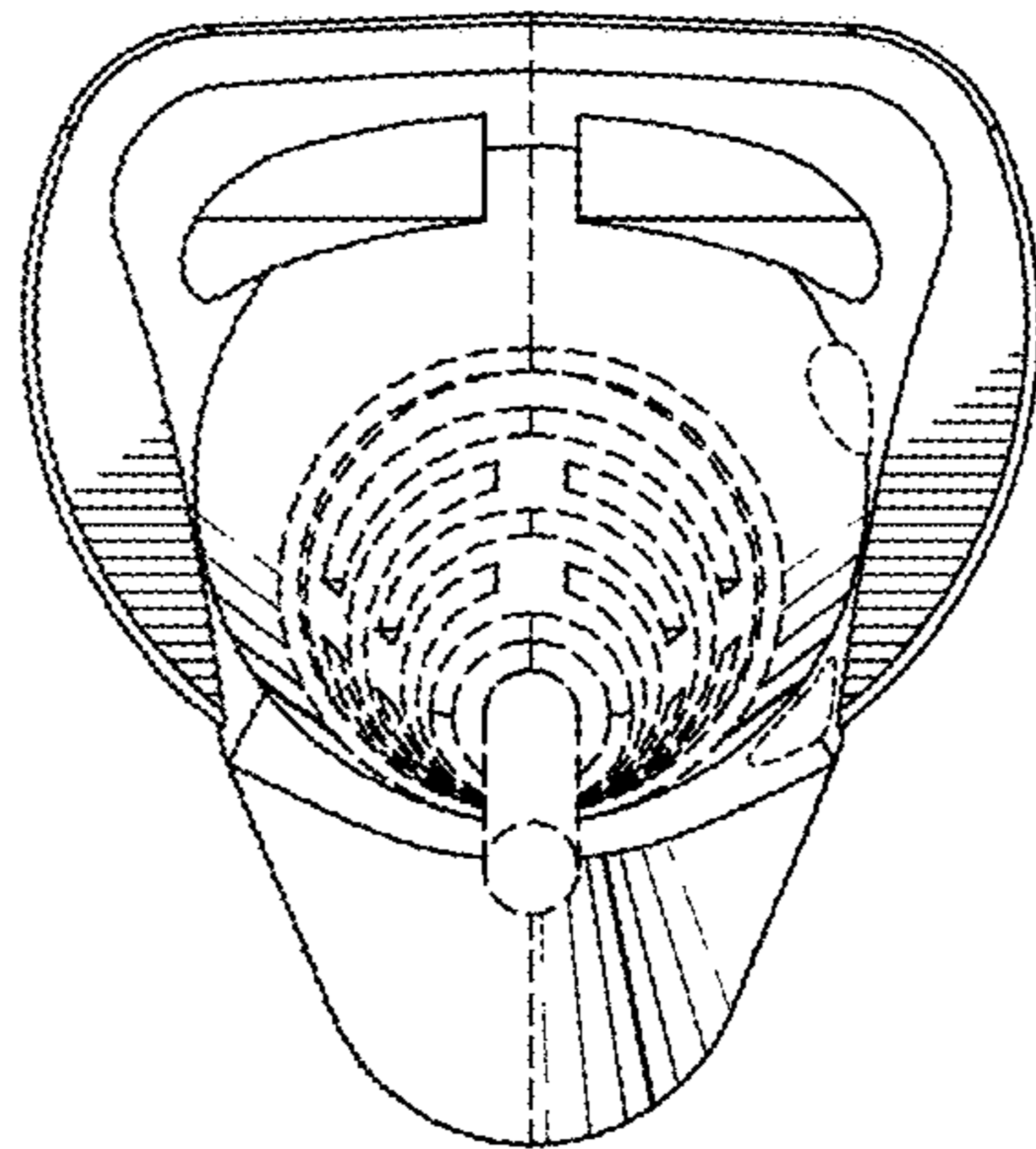


Fig-5

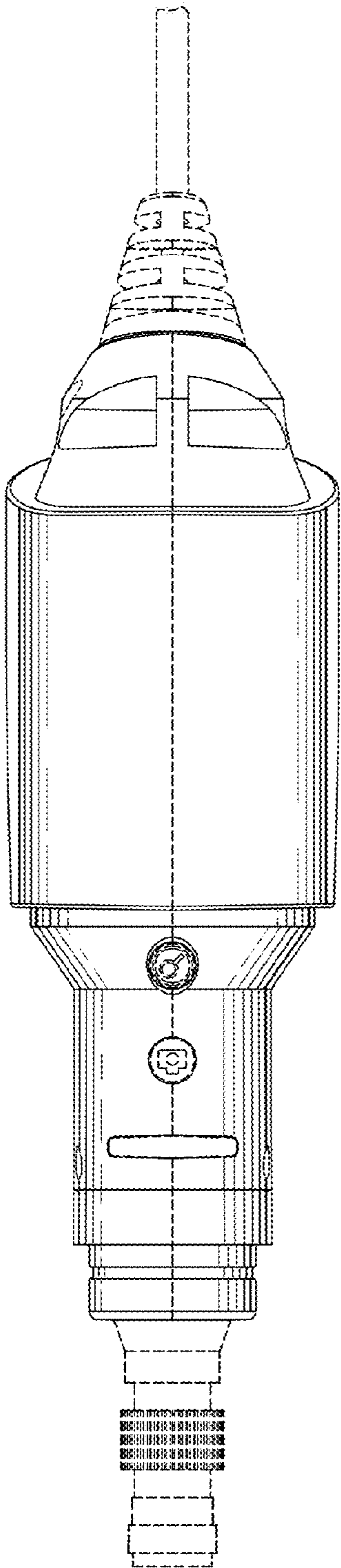


FIG. 6

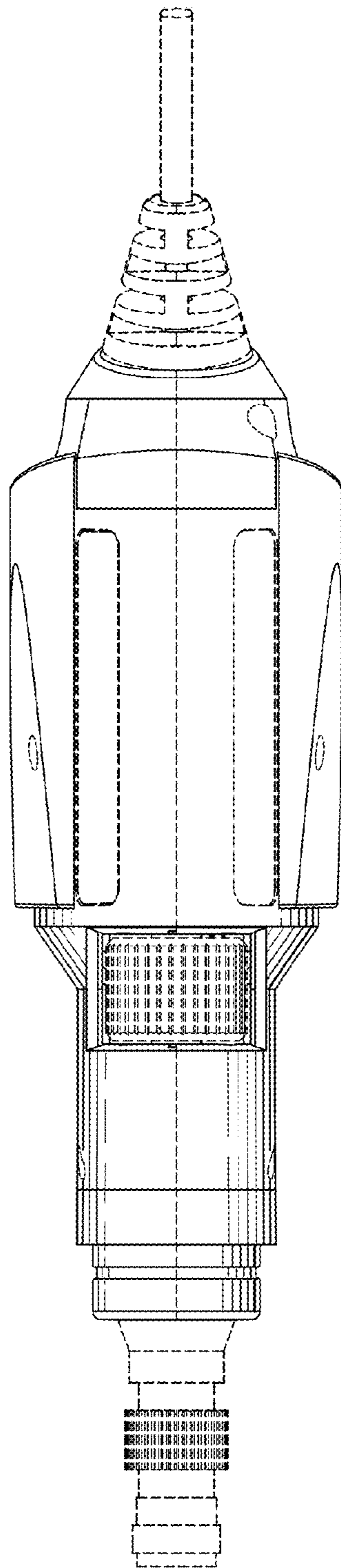


FIG. 7