



US00D713748S

(12) **United States Design Patent**
Hariharan et al.

(10) **Patent No.:** **US D713,748 S**

(45) **Date of Patent:** **** Sep. 23, 2014**

(54) **TILT SENSOR**

(71) Applicant: **Parker-Hannifin Corporation**,
Cleveland, OH (US)

(72) Inventors: **Anand Hariharan**, Mishawaka, IN
(US); **Jedidiah L. McCreary**,
Mishawaka, IN (US); **Robert D. Klein**,
Mishawaka, IN (US)

(73) Assignee: **Parker-Hannifin Corporation**,
Cleveland, OH (US)

(**) Term: **14 Years**

(21) Appl. No.: **29/461,409**

(22) Filed: **Jul. 23, 2013**

(51) **LOC (10) Cl.** **10-04**

(52) **U.S. Cl.**

USPC **D10/65**

(58) **Field of Classification Search**

CPC G06F 13/385; G05B 19/0423

USPC D10/65; 33/286, 290, 366.11-366.27;

381/122, 175; 710/16, 63, 124

See application file for complete search history.

(56) **References Cited**

U.S. PATENT DOCUMENTS

8,457,332 B2 * 6/2013 Loeppert et al. 381/175

8,626,962 B2 * 1/2014 Wong et al. 710/16

* cited by examiner

Primary Examiner — Antoine D Davis

(74) *Attorney, Agent, or Firm* — Renner, Otto, Boisselle &
Sklar, LLP

(57) **CLAIM**

The ornamental design for a tilt sensor, as shown and
described.

DESCRIPTION

FIG. 1 is a perspective view a tilt sensor showing our new
design.

FIG. 2 is another perspective view thereof.

FIG. 3 is a top view thereof.

FIG. 4 is a bottom view thereof.

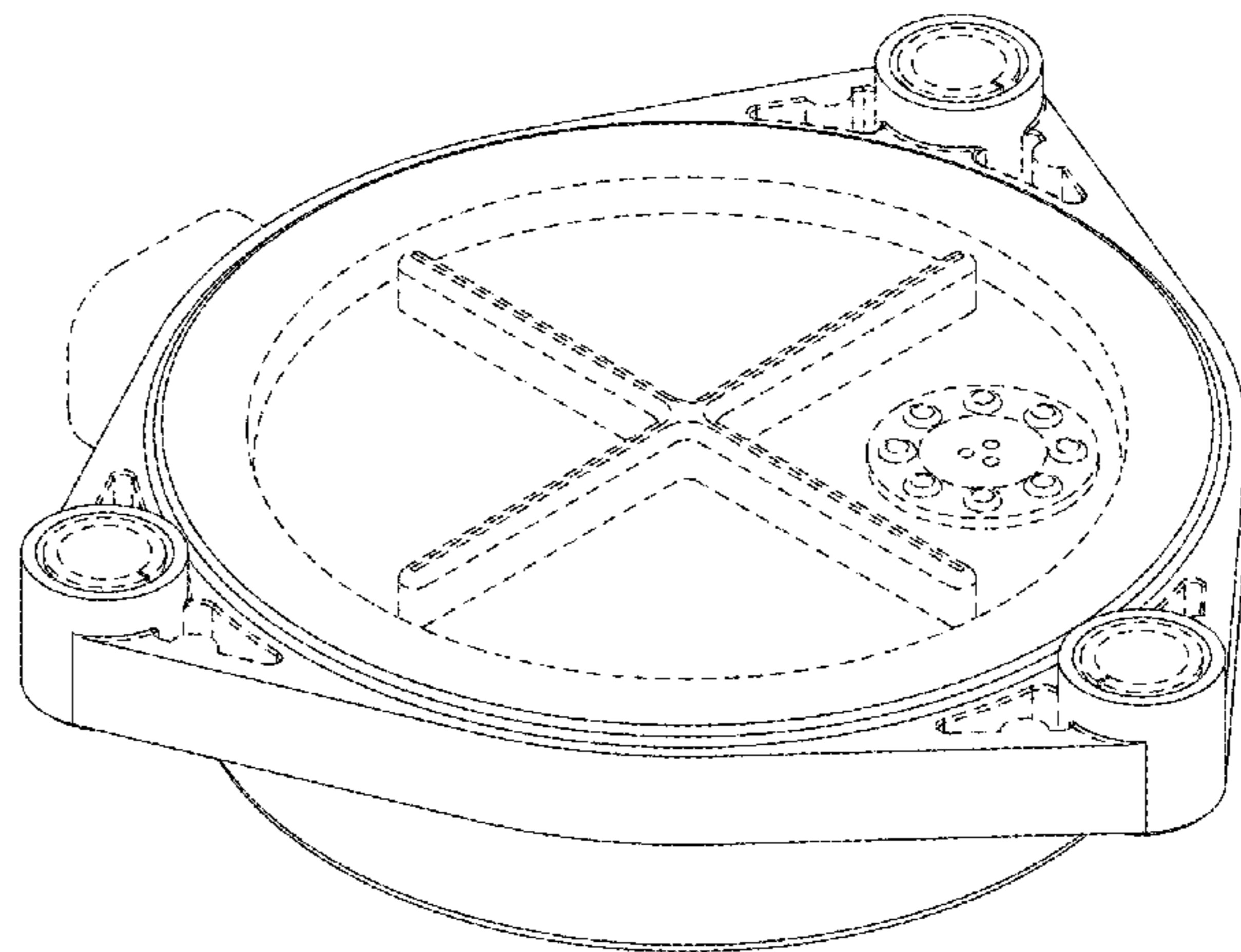
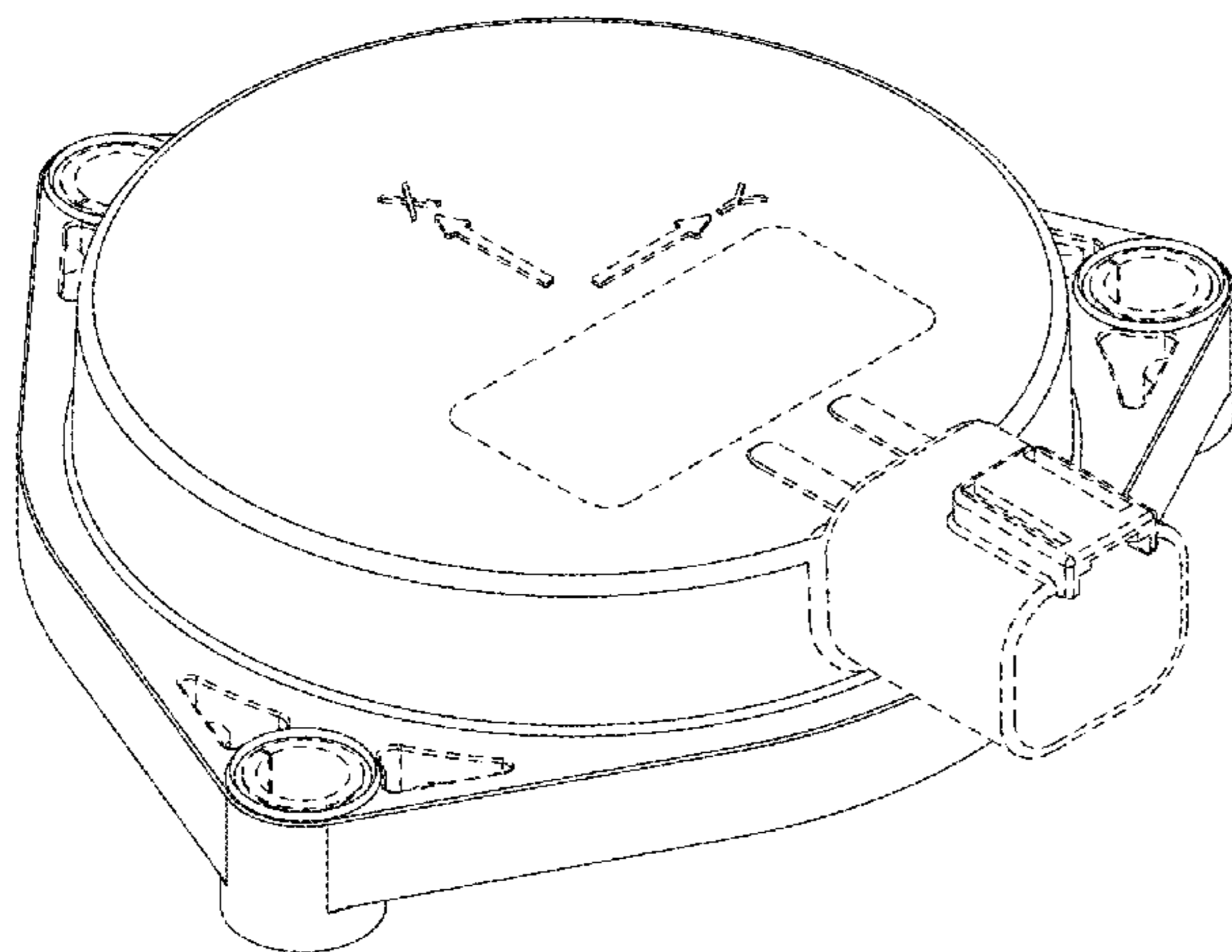
FIG. 5 is a front view thereof, a rear view thereof being a
mirror image of the front view.

FIG. 6 is a left side view thereof; and,

FIG. 7 is a right side view thereof.

The broken lines shown herein are for illustrative purposes
only and form no part of the claimed design.

1 Claim, 4 Drawing Sheets



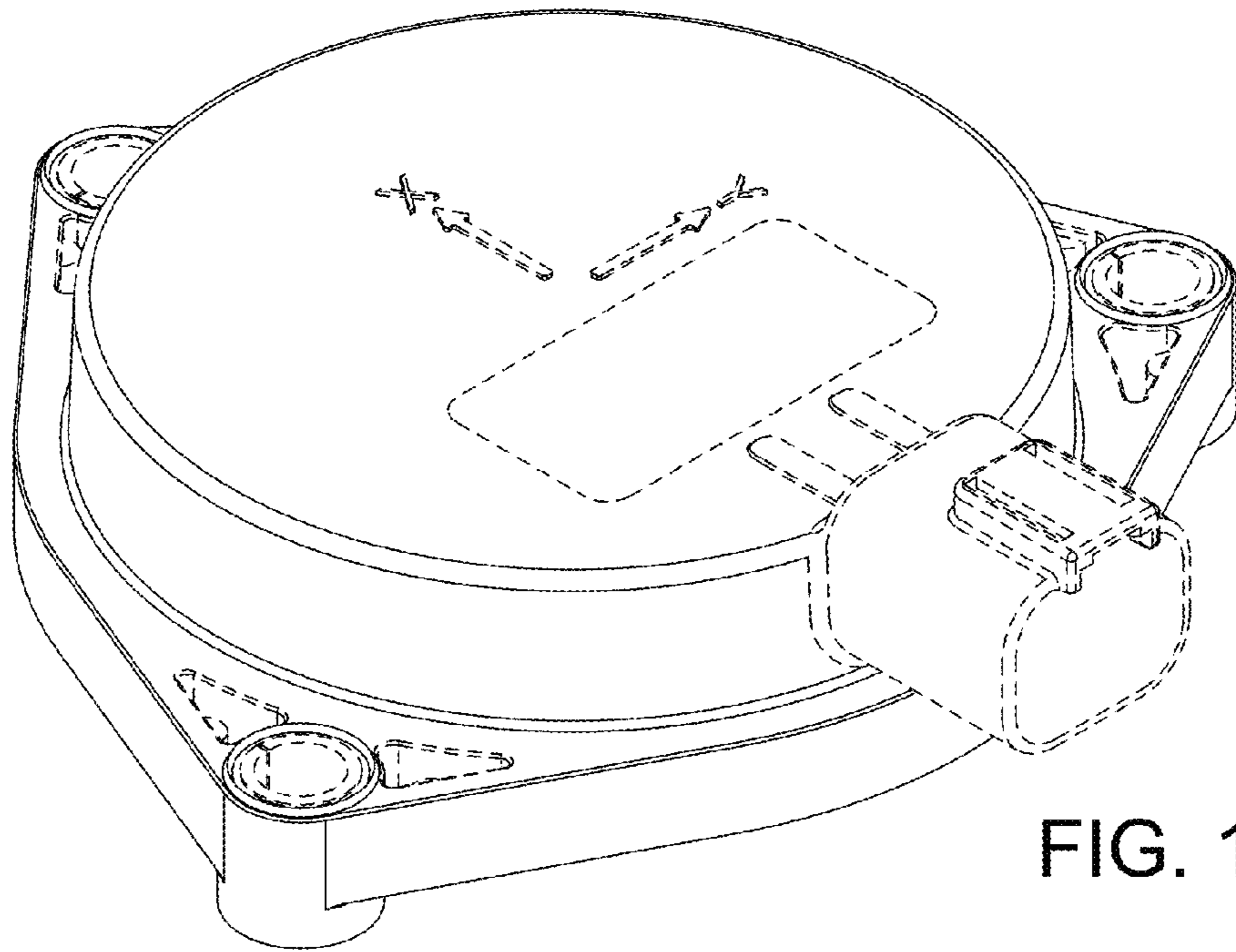


FIG. 1

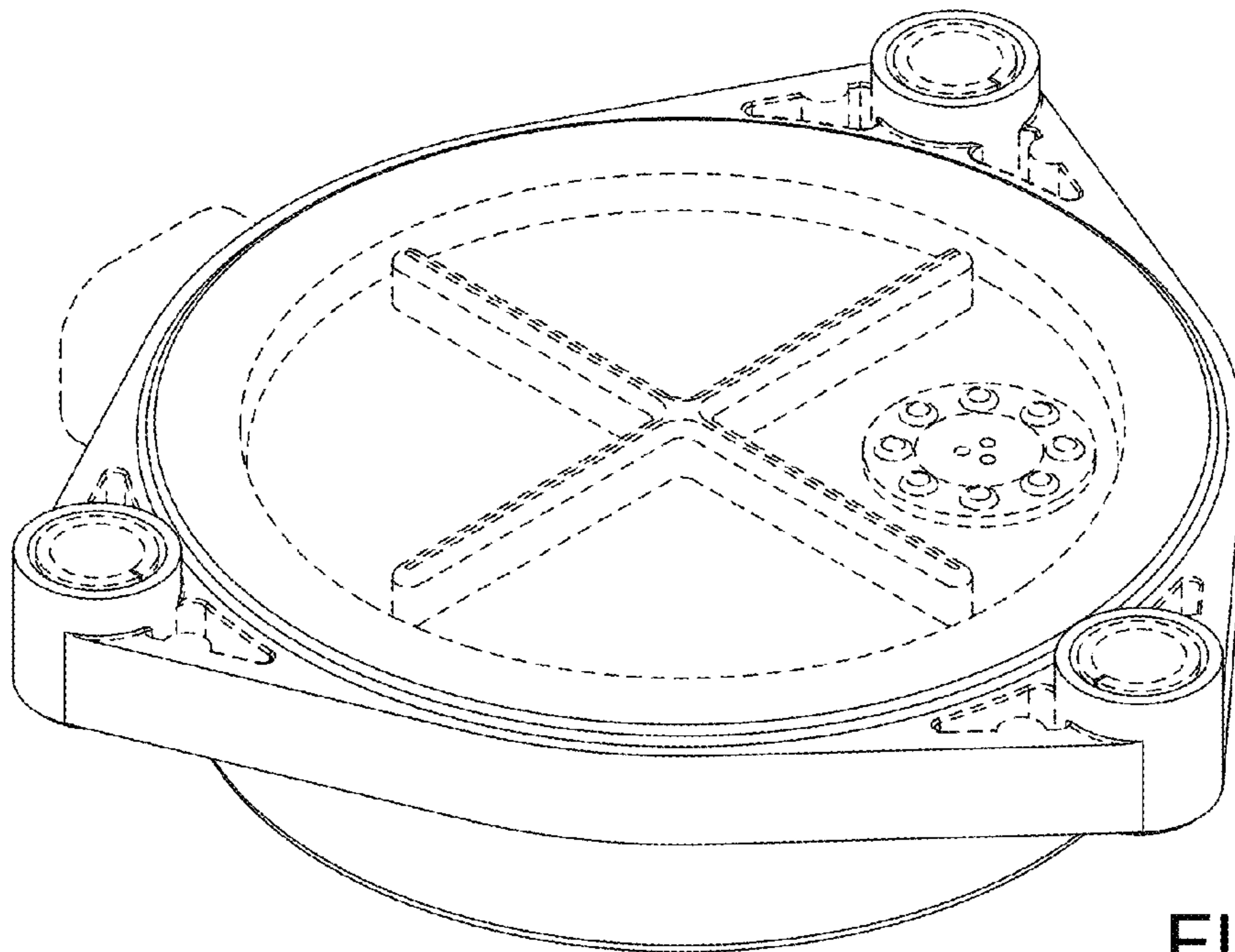


FIG. 2

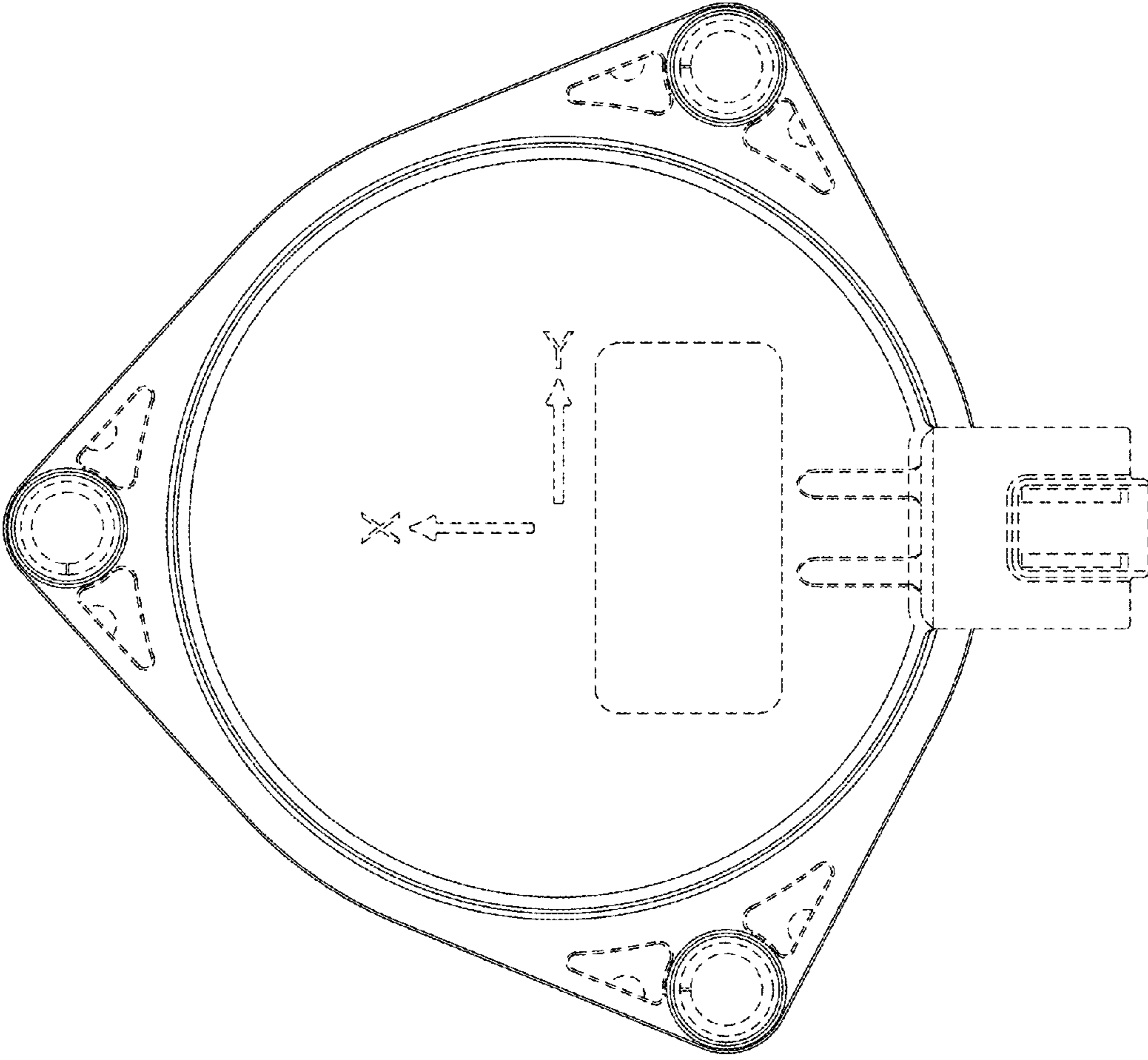


FIG. 3

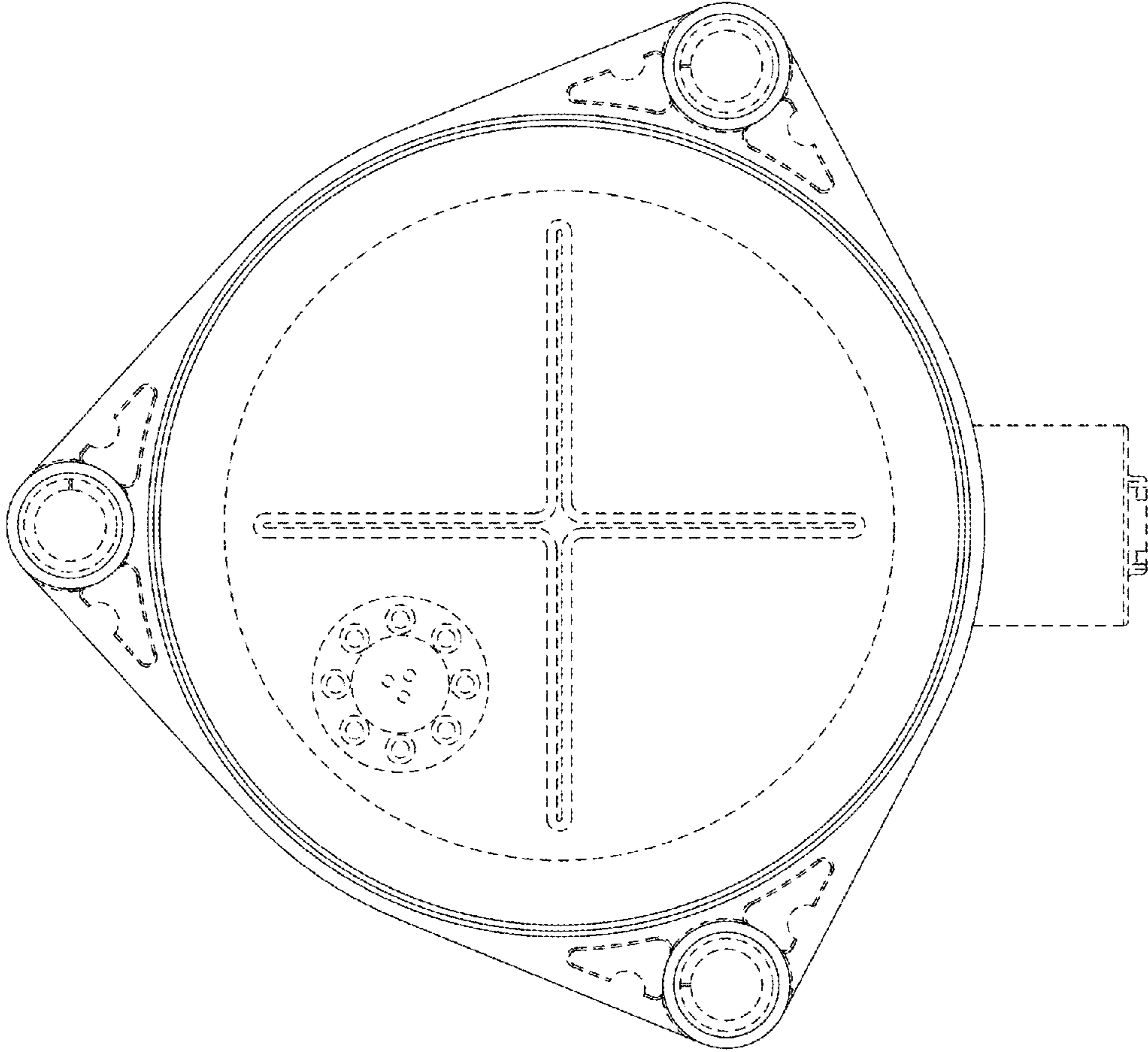


FIG. 4

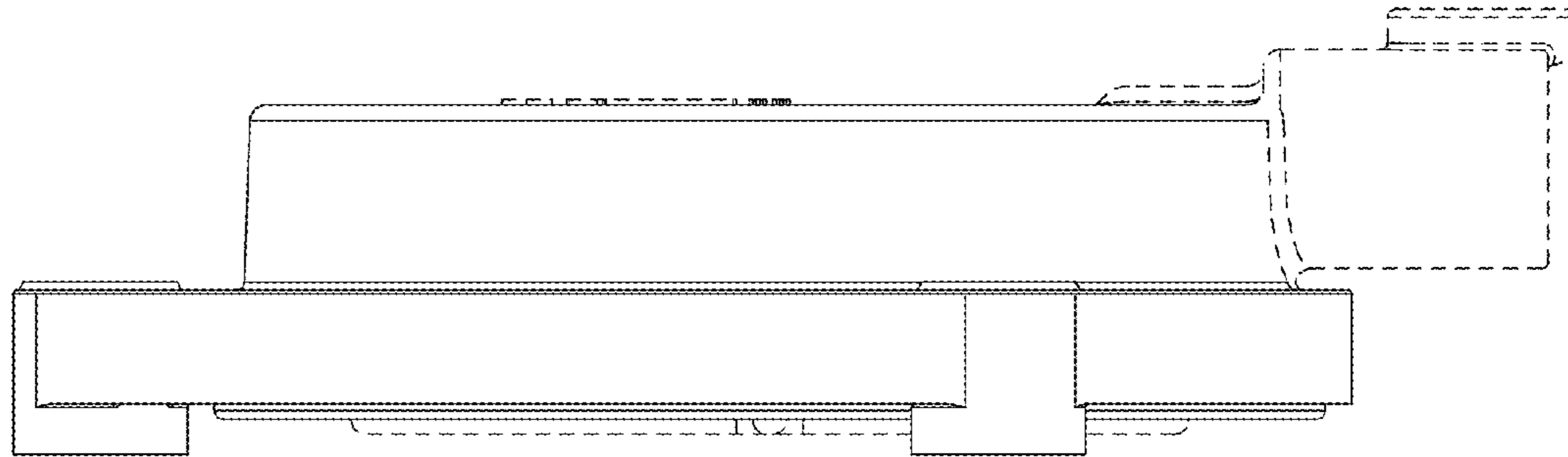


FIG. 5

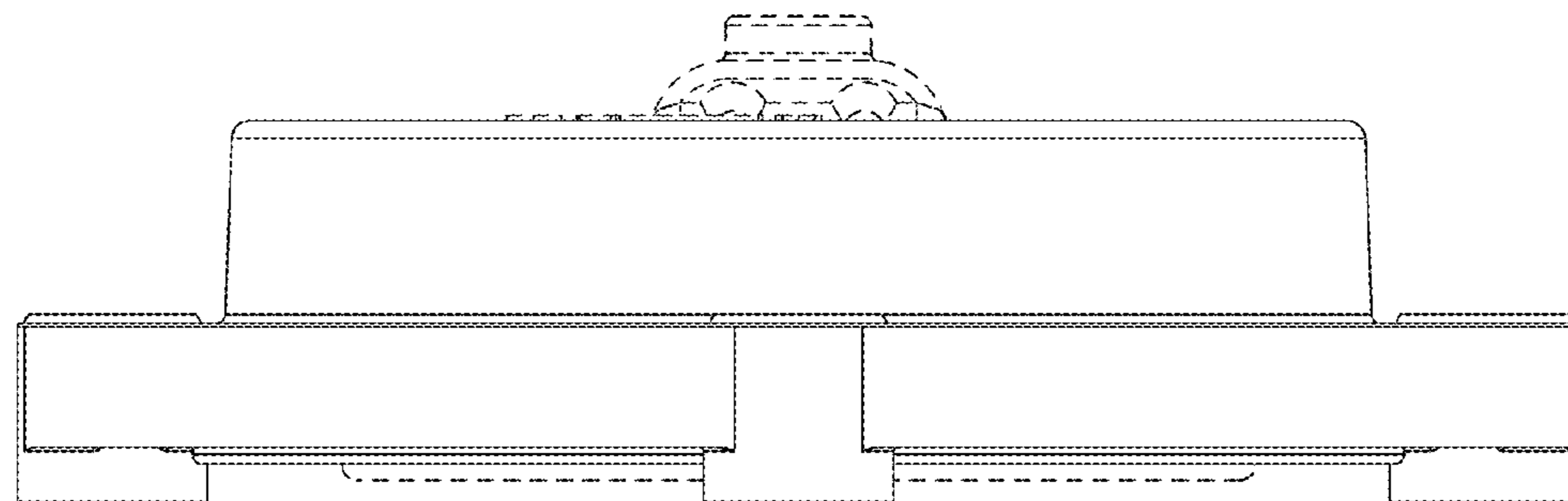


FIG. 6

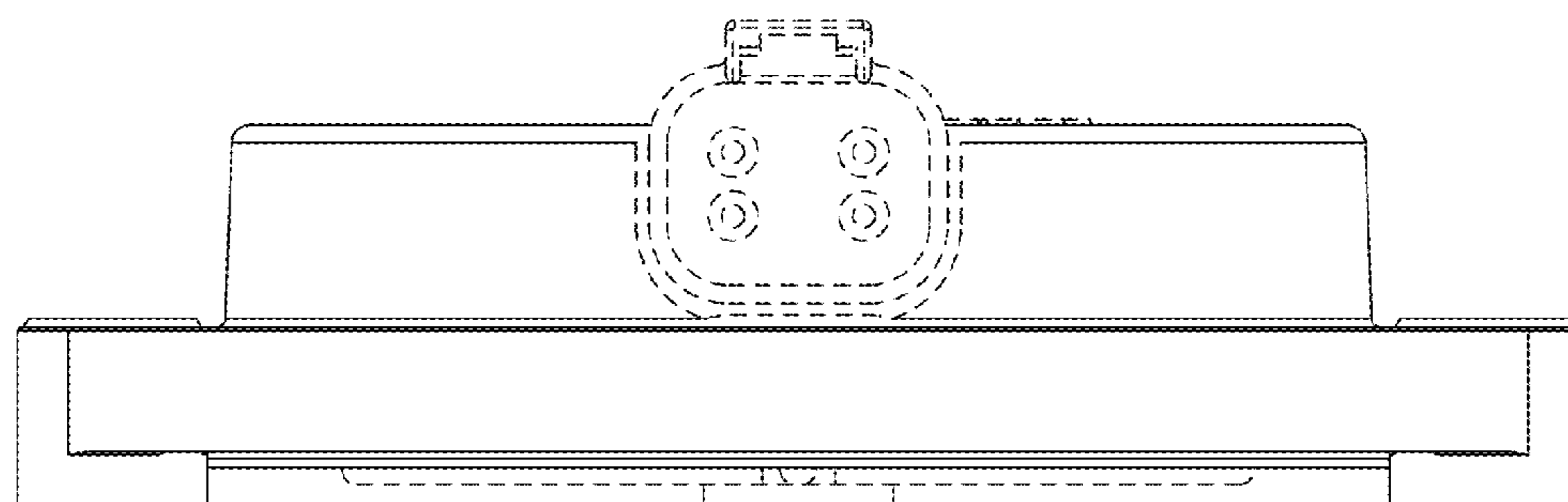


FIG. 7