



US00D713747S

(12) **United States Design Patent**  
**Collins**

(10) **Patent No.:** **US D713,747 S**  
(45) **Date of Patent:** **\*\* Sep. 23, 2014**

(54) **JUNCTION BOX POSITIONING TEMPLATE**

(71) Applicant: **Bradley J Collins**, Tacoma, WA (US)

(72) Inventor: **Bradley J Collins**, Tacoma, WA (US)

(\*\*) Term: **14 Years**

(21) Appl. No.: **29/454,136**

(22) Filed: **May 7, 2013**

(51) **LOC (10) Cl.** ..... **10-04**

(52) **U.S. Cl.**  
USPC ..... **D10/64**

(58) **Field of Classification Search**  
CPC ..... B25H 1/0078; B25H 7/04; E04F 21/00;  
G01C 9/26; G01B 3/00; H02G 1/00; H02G  
3/00; H02G 3/12; H02G 3/14  
USPC ..... D10/64; 33/528, 862, 563, DIG. 10  
See application file for complete search history.

(56) **References Cited**

U.S. PATENT DOCUMENTS

807,817	A *	12/1905	Gilbert	.....	33/483
3,169,320	A *	2/1965	Currie	.....	33/429
D265,177	S *	6/1982	Skinner	.....	D10/64
4,400,886	A *	8/1983	Bindschatel	.....	33/197
D291,287	S *	8/1987	Eisenhauer	.....	D10/64

4,793,069	A *	12/1988	McDowell	.....	33/528
D335,089	S *	4/1993	Grubelnik	.....	D10/64
D356,513	S *	3/1995	Burkholder, II	.....	D10/64
6,870,100	B2 *	3/2005	Corwin	.....	174/58
D504,336	S *	4/2005	Mason	.....	D10/64
D632,193	S *	2/2011	Martin	.....	D10/64
D632,982	S *	2/2011	Martin	.....	D10/64
D639,682	S *	6/2011	Kozina et al.	.....	D10/64
D657,267	S *	4/2012	Meijer	.....	D10/64
D660,733	S *	5/2012	Shotey et al.	.....	D10/64
D660,734	S *	5/2012	Shotey et al.	.....	D10/64

\* cited by examiner

*Primary Examiner* — Antoine D Davis

(74) *Attorney, Agent, or Firm* — Maier & Maier, PLLC

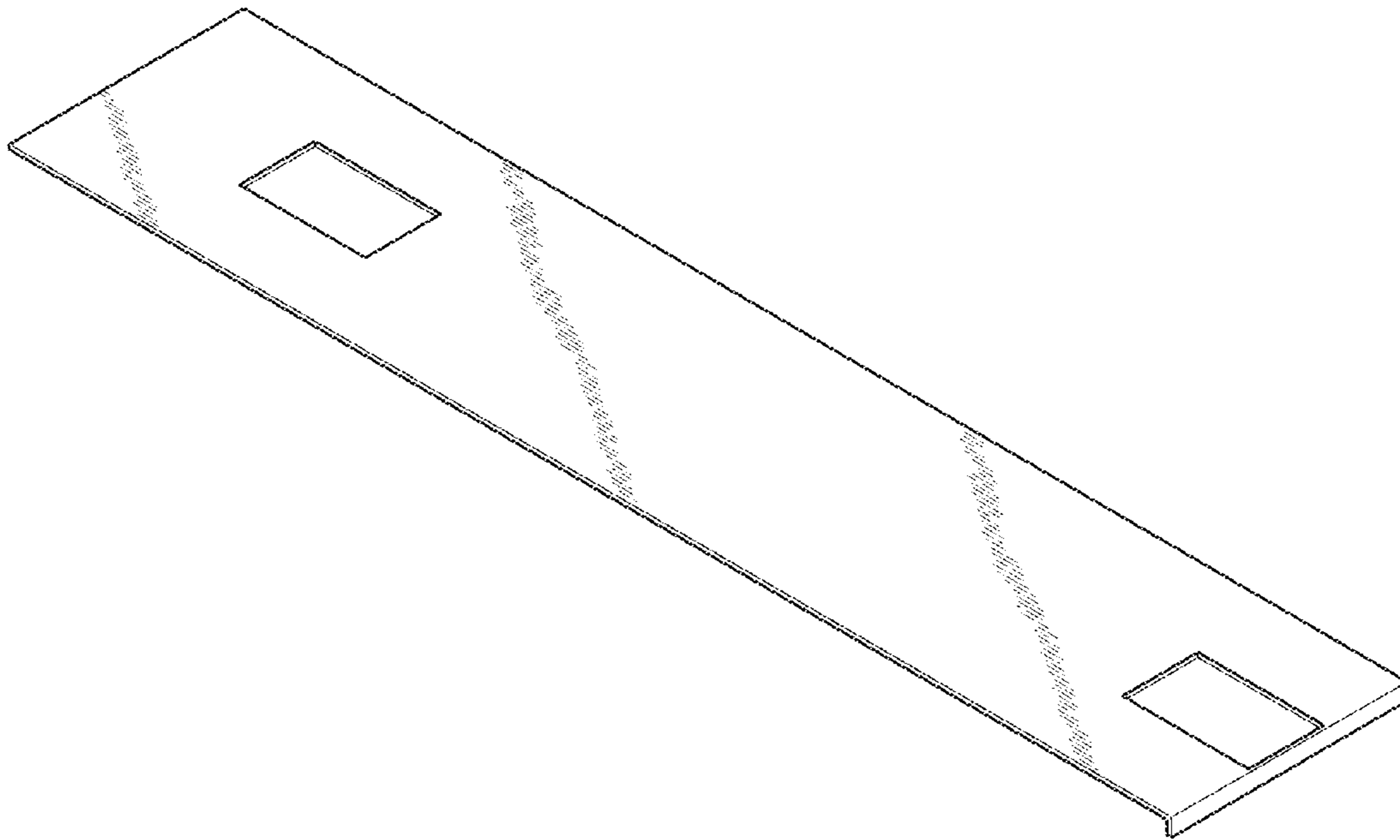
(57) **CLAIM**

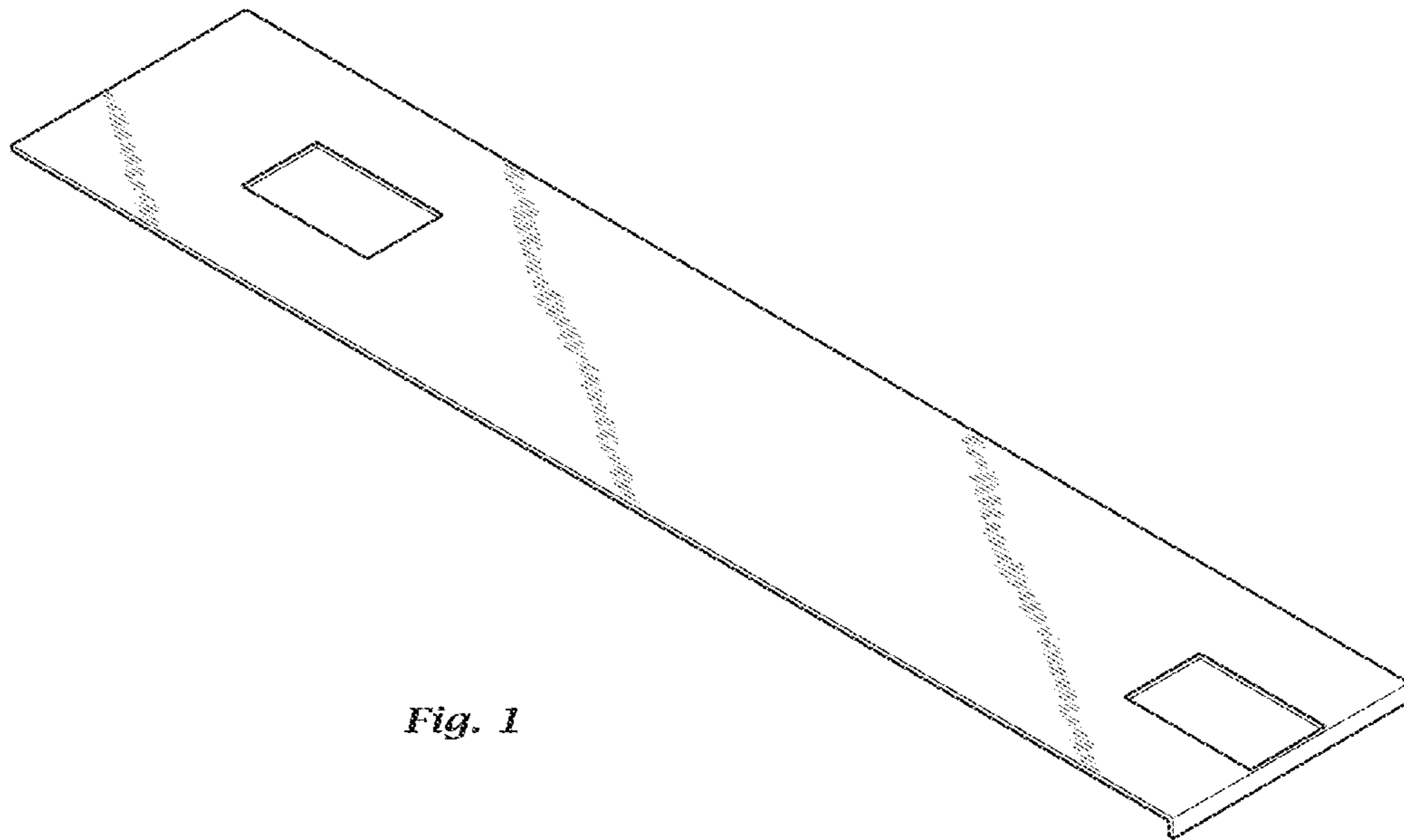
The ornamental design for a junction box positioning template, as shown and described.

**DESCRIPTION**

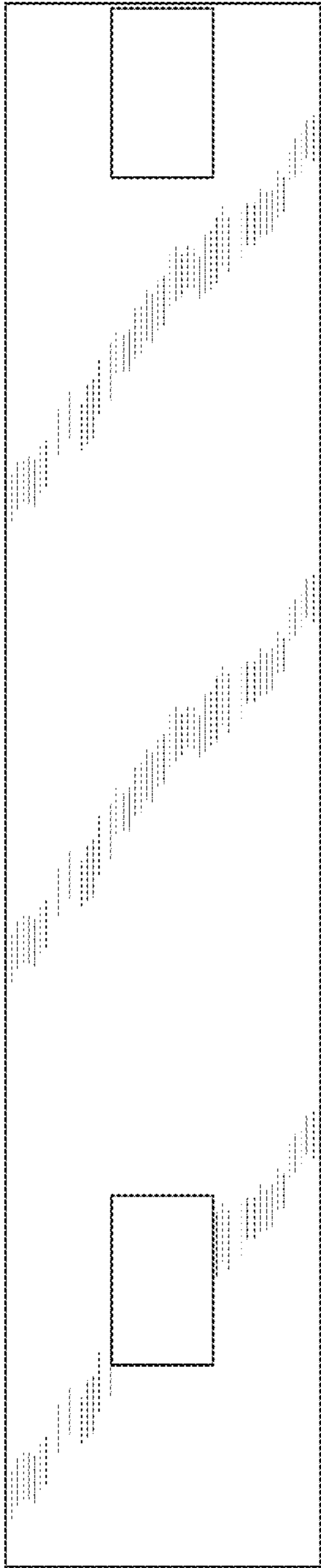
FIG. 1 is an isometric view of a junction box positioning template, showing my design;  
FIG. 2 is a front view thereof;  
FIG. 3 is a rear view thereof;  
FIG. 4 is a left side view thereof, the right side view being a mirror image of the left side view;  
FIG. 5 is a top view thereof; and,  
FIG. 6 is a bottom view thereof.

**1 Claim, 2 Drawing Sheets**

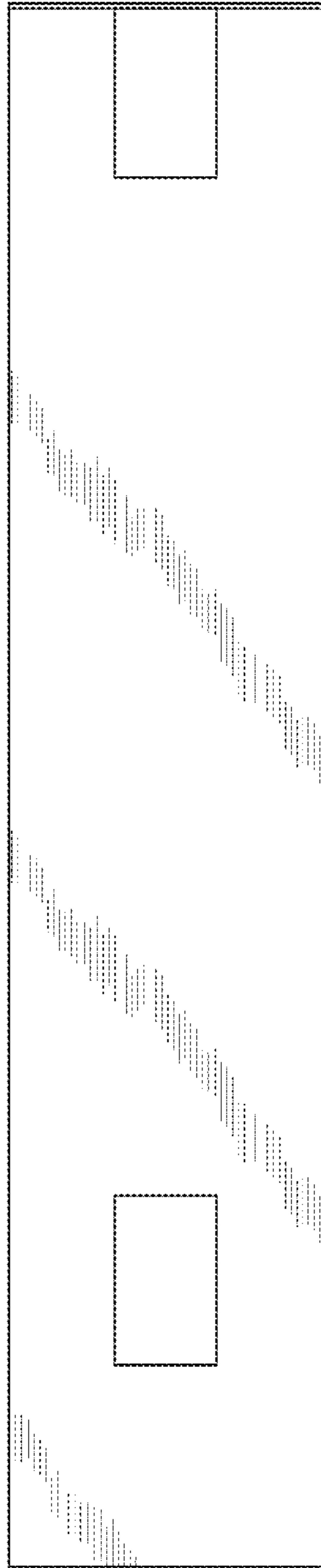




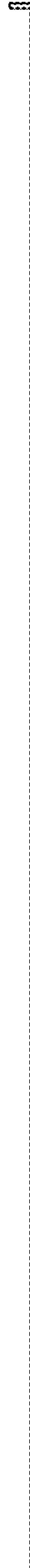
*Fig. 1*



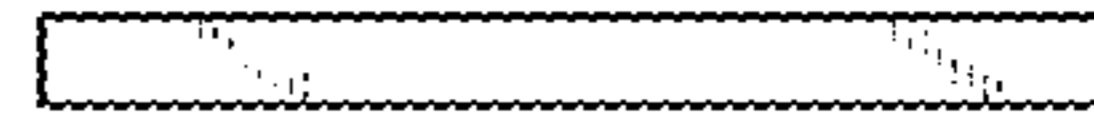
*Fig. 2*



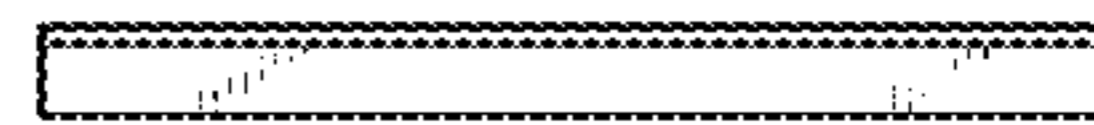
*Fig. 3*



*Fig. 4*



*Fig. 5*



*Fig. 6*