



US00D713745S

(12) **United States Design Patent**
Chang et al.

(10) **Patent No.:** **US D713,745 S**
(45) **Date of Patent:** **** Sep. 23, 2014**

(54) **COORDINATE MEASURING MACHINE**

702/95, 108

See application file for complete search history.

(71) Applicant: **Hon Hai Precision Industry Co., Ltd.**,
New Taipei (TW)

(56) **References Cited**

(72) Inventors: **Chih-Kuang Chang**, New Taipei (TW);
Jun-Song Xu, Shenzhen (CN);
Wen-Dong Liu, Shenzhen (CN);
Zhi-Hui Luo, Shenzhen (CN)

U.S. PATENT DOCUMENTS

D302,392 S * 7/1989 Orr et al. D10/46
D335,088 S * 4/1993 Raleigh et al. D10/46
D668,974 S * 10/2012 Chang et al. D10/63

(73) Assignee: **Hon Hai Precision Industry Co., Ltd.**,
New Taipei (TW)

* cited by examiner

Primary Examiner — Antoine D Davis

(**) Term: **14 Years**

(74) *Attorney, Agent, or Firm* — Novak Druce Connolly
Bove + Quigg LLP

(21) Appl. No.: **29/452,299**

(57) **CLAIM**

(22) Filed: **Apr. 15, 2013**

The ornamental design for a coordinate measuring machine,
as shown and described.

(30) **Foreign Application Priority Data**

DESCRIPTION

Jan. 23, 2013 (TW) 102300579

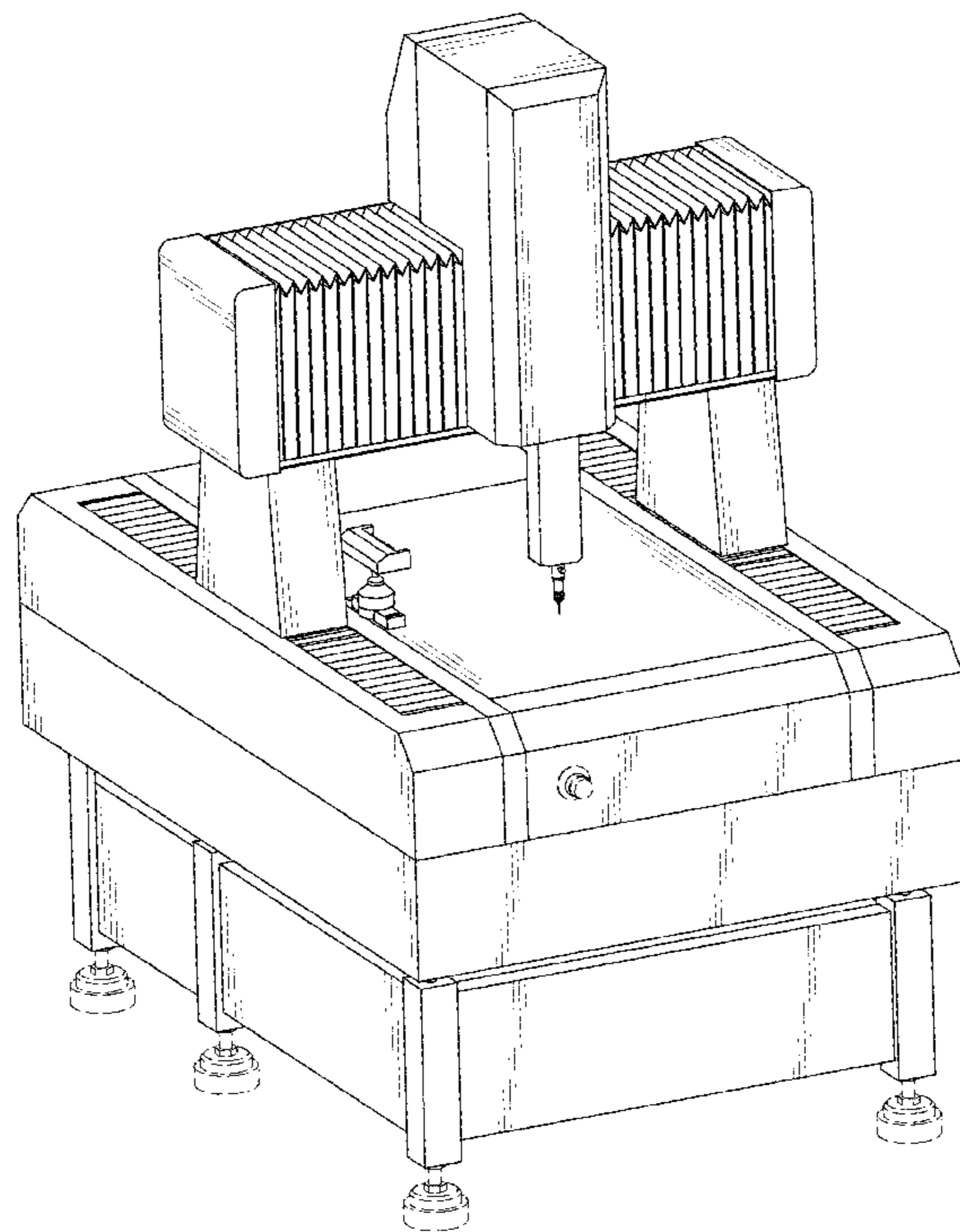
(51) **LOC (10) Cl.** **10-04**

(52) **U.S. Cl.**
USPC **D10/63**

(58) **Field of Classification Search**
CPC .. G01B 21/047; G01B 21/042; G01B 21/145;
G01B 5/012; G01B 5/008; G01B 11/03;
G05B 19/00; G05B 19/407; G05B
2219/36452; G05B 2219/36479; G05B
2219/37193; G05B 2219/3744
USPC D10/46, 63, 74; 33/359, 360, 501.02,
33/501.03, 503, 551, 556, 559, 572,
33/601-640, 702, 704, 710, 832, DIG. 3;

FIG. 1 is a perspective view of a coordinate measuring machine showing our new design;
FIG. 2 is a front elevational view thereof;
FIG. 3 is a rear elevational view thereof;
FIG. 4 is a left side elevational view thereof;
FIG. 5 is a right side elevational view thereof;
FIG. 6 is a top plan view thereof; and,
FIG. 7 is a bottom plan view thereof.
The broken lines of all the figures are for the purpose of illustrating environment and forms no part of the claimed design.

1 Claim, 7 Drawing Sheets



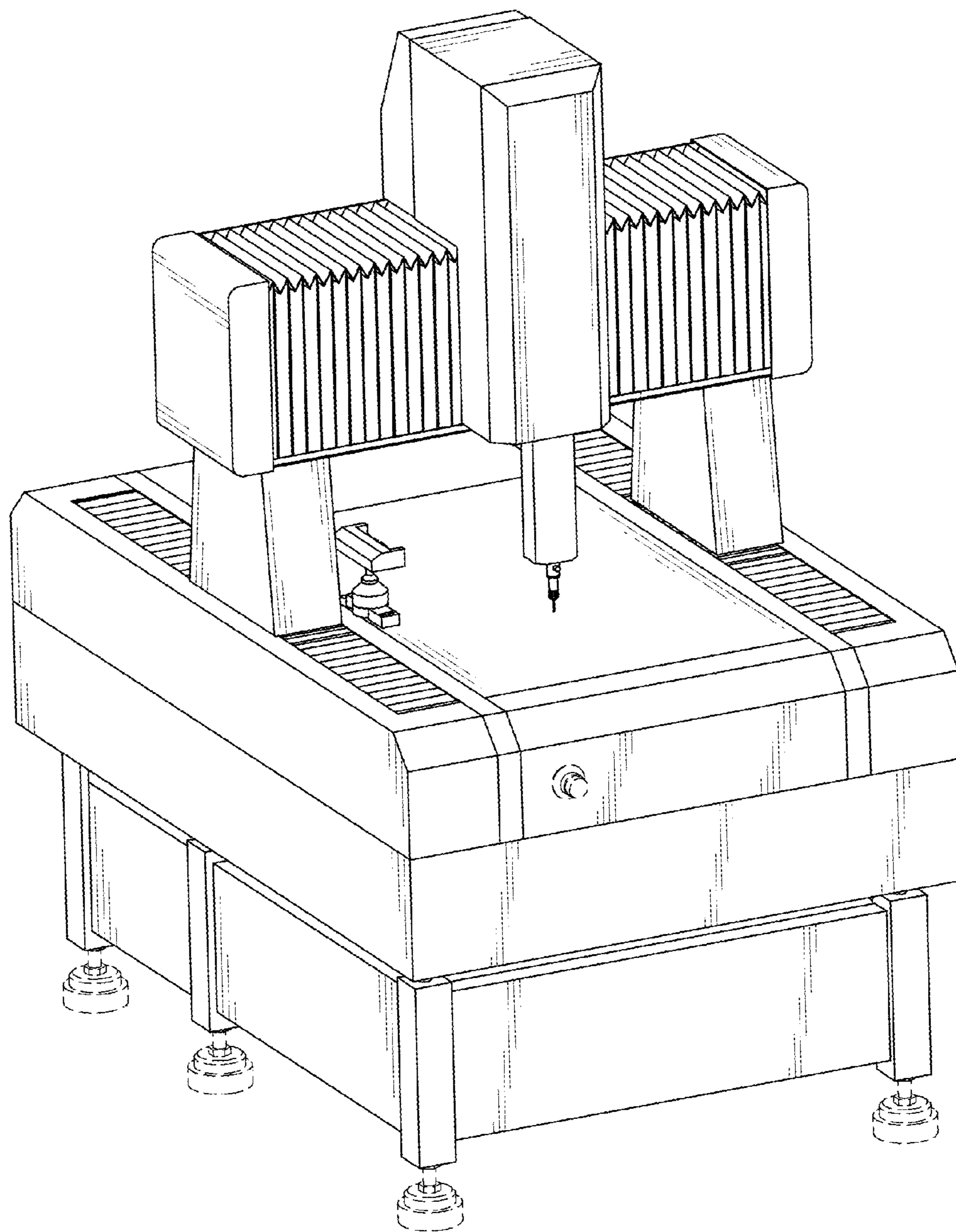


FIG. 1

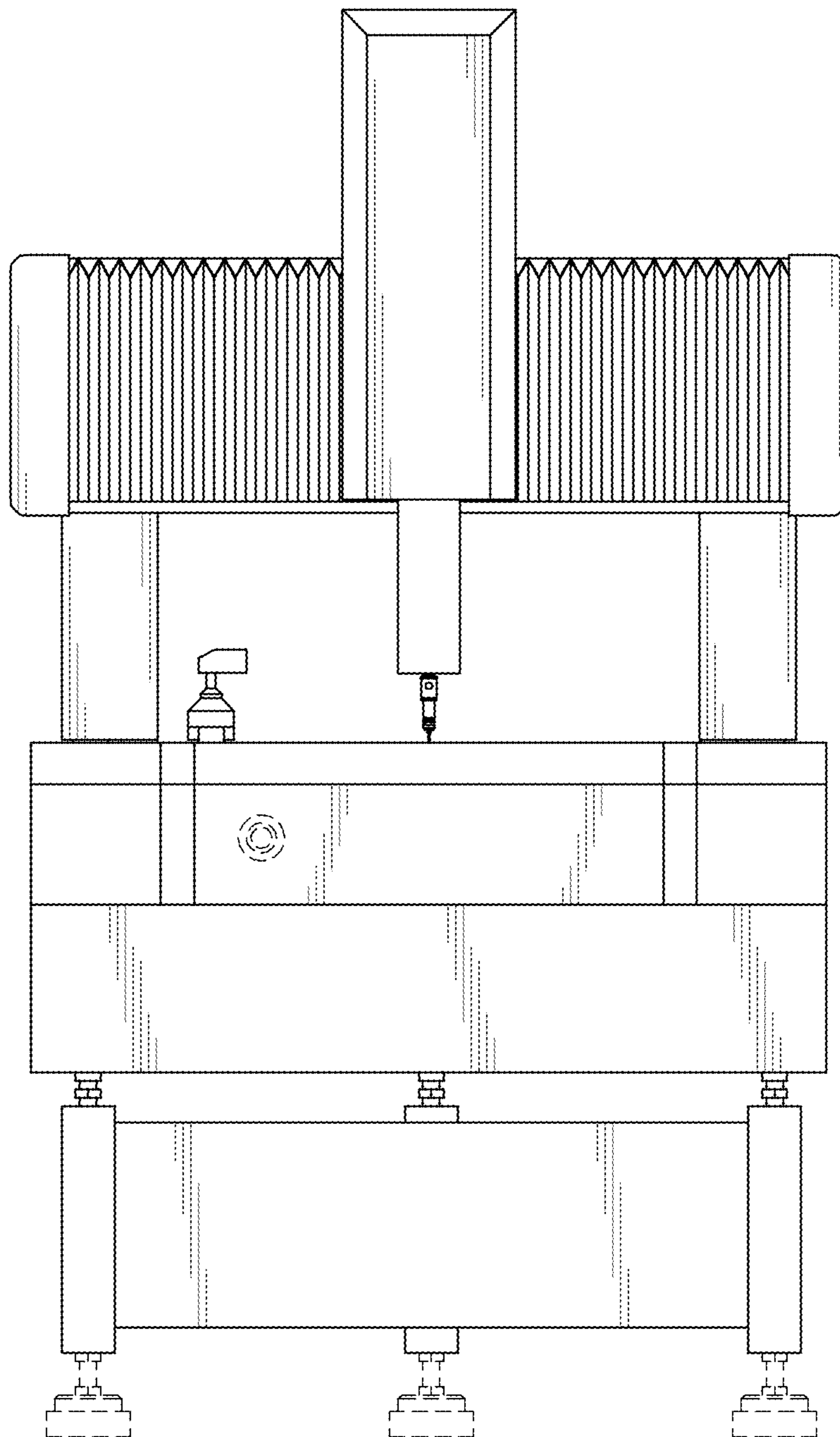


FIG. 2

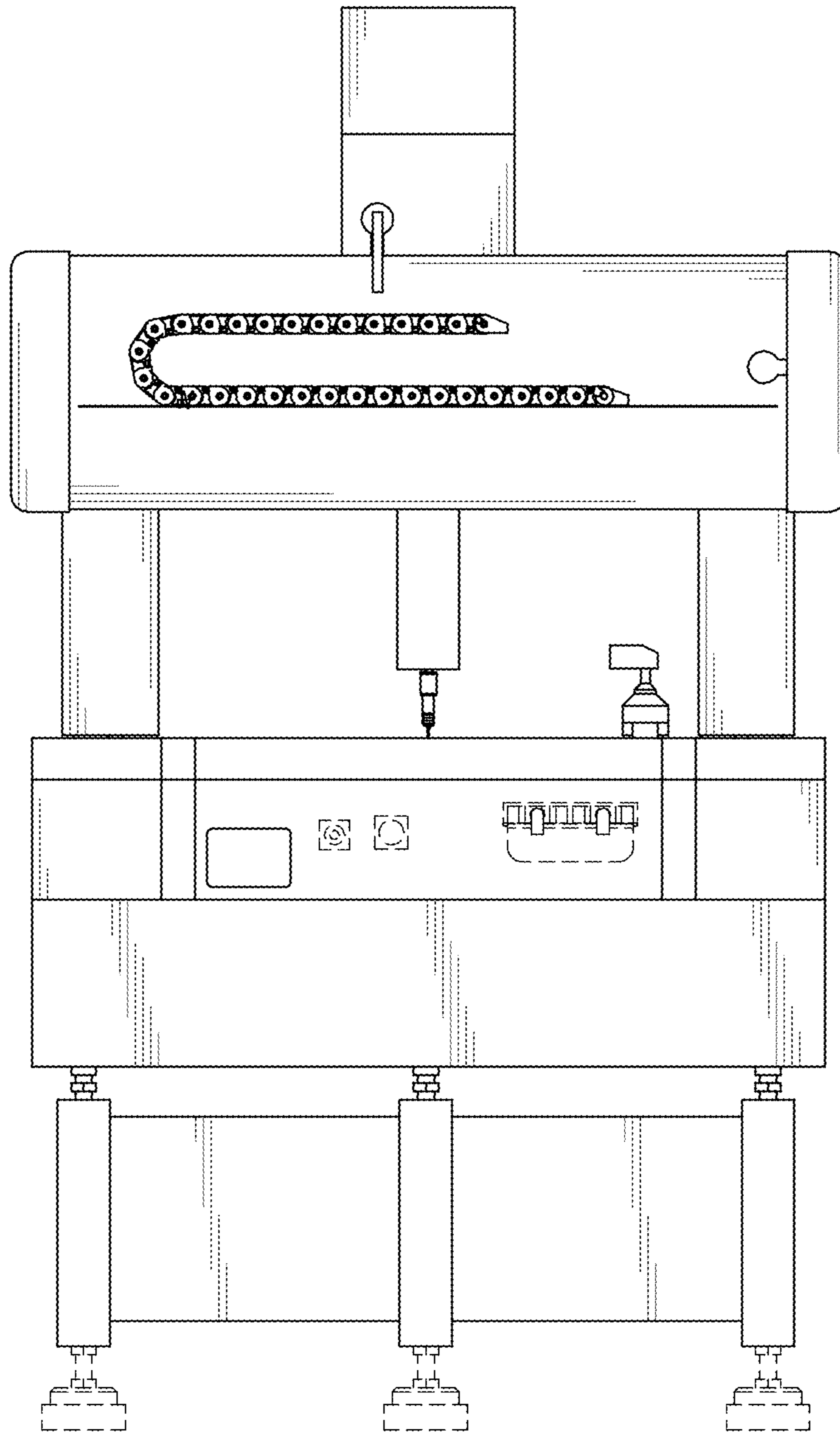


FIG. 3

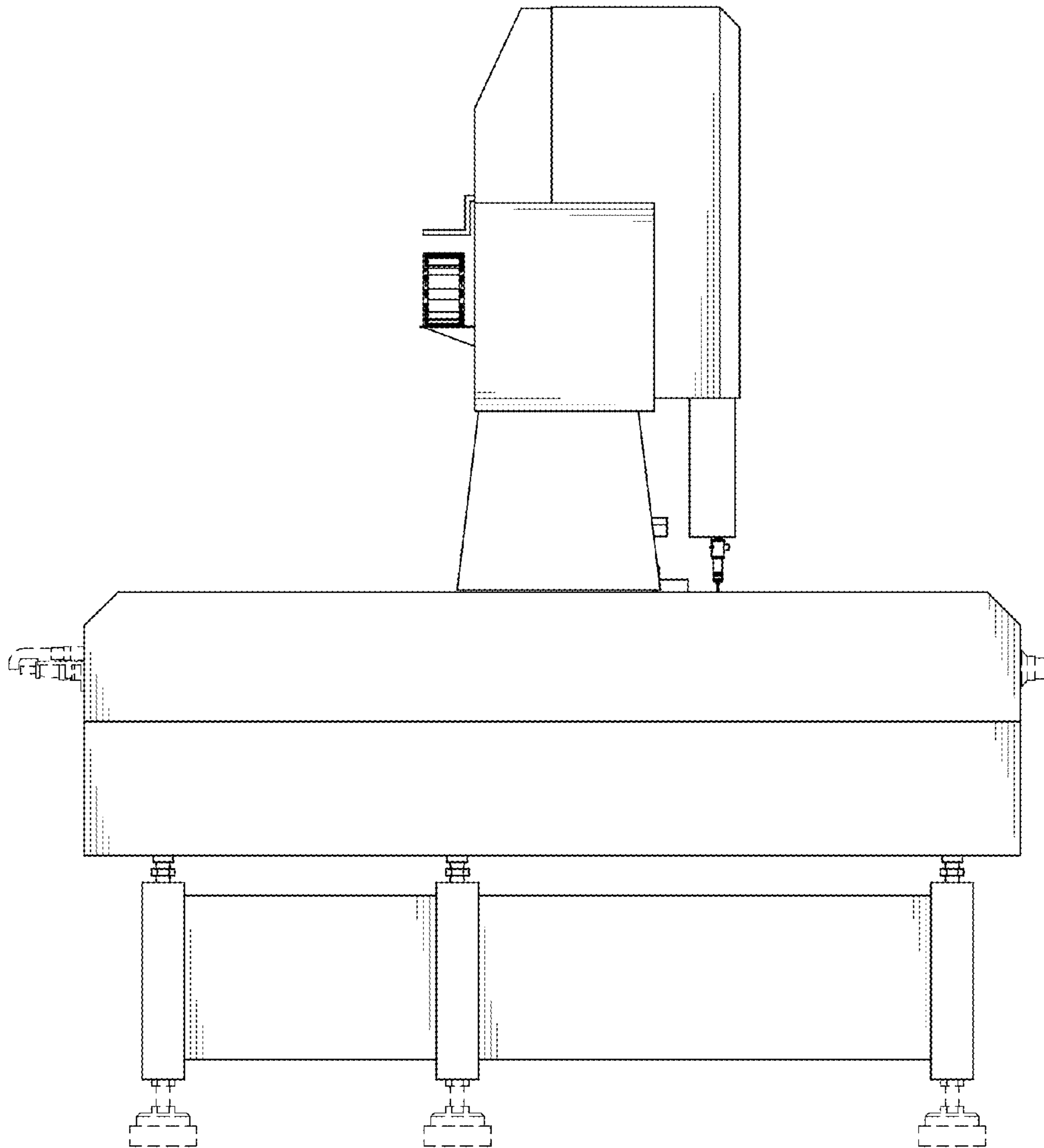


FIG. 4

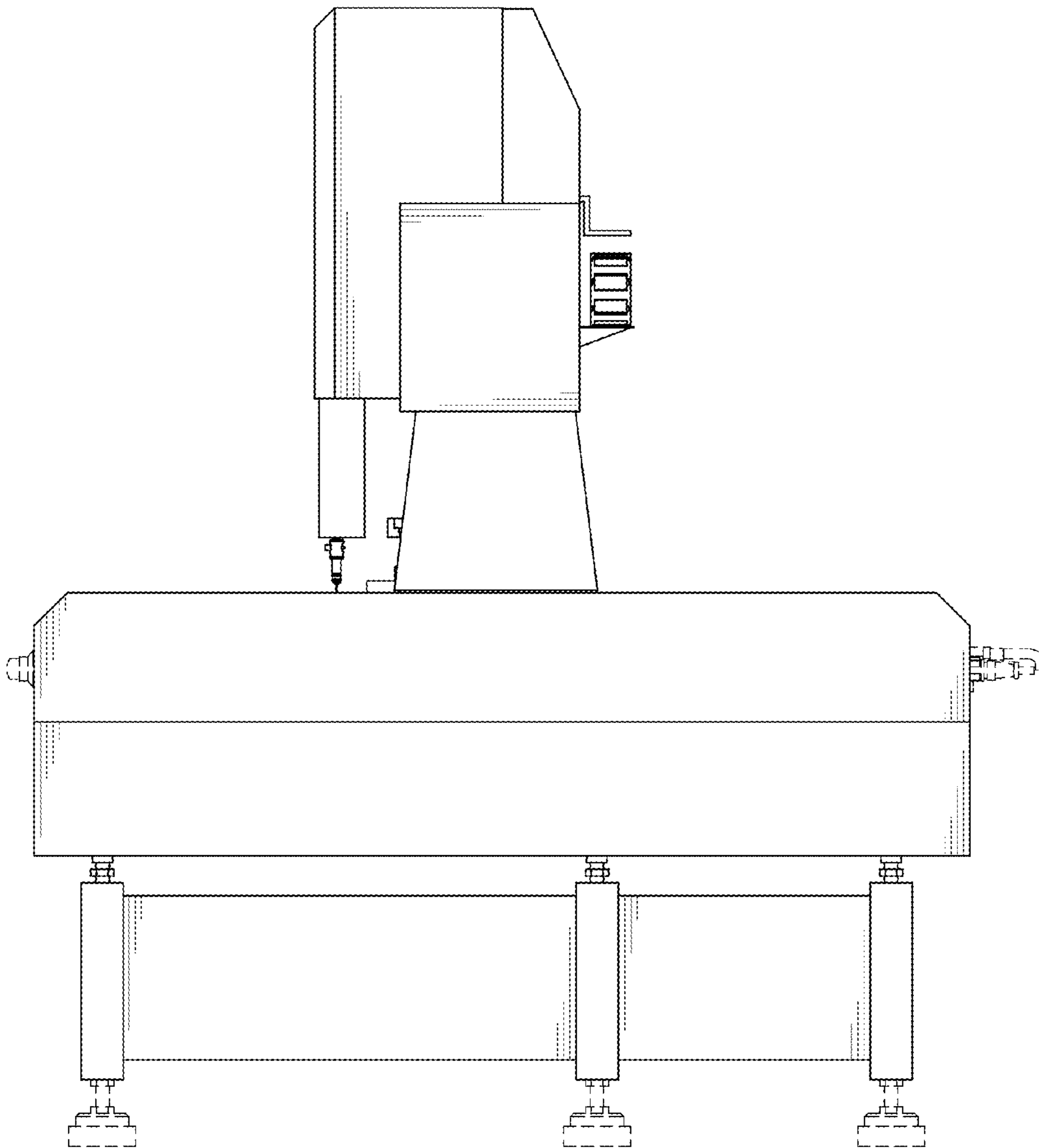


FIG. 5

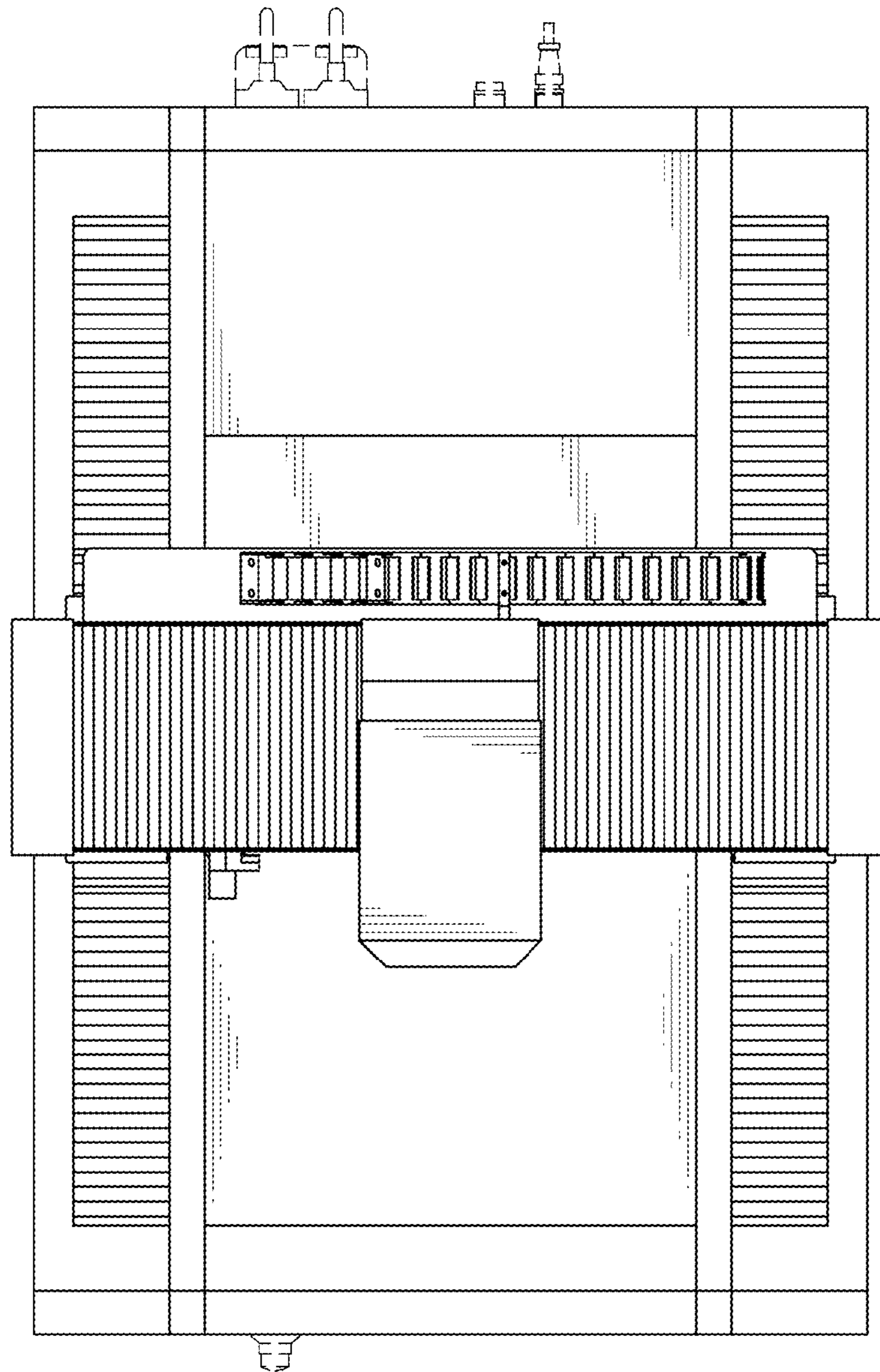


FIG. 6

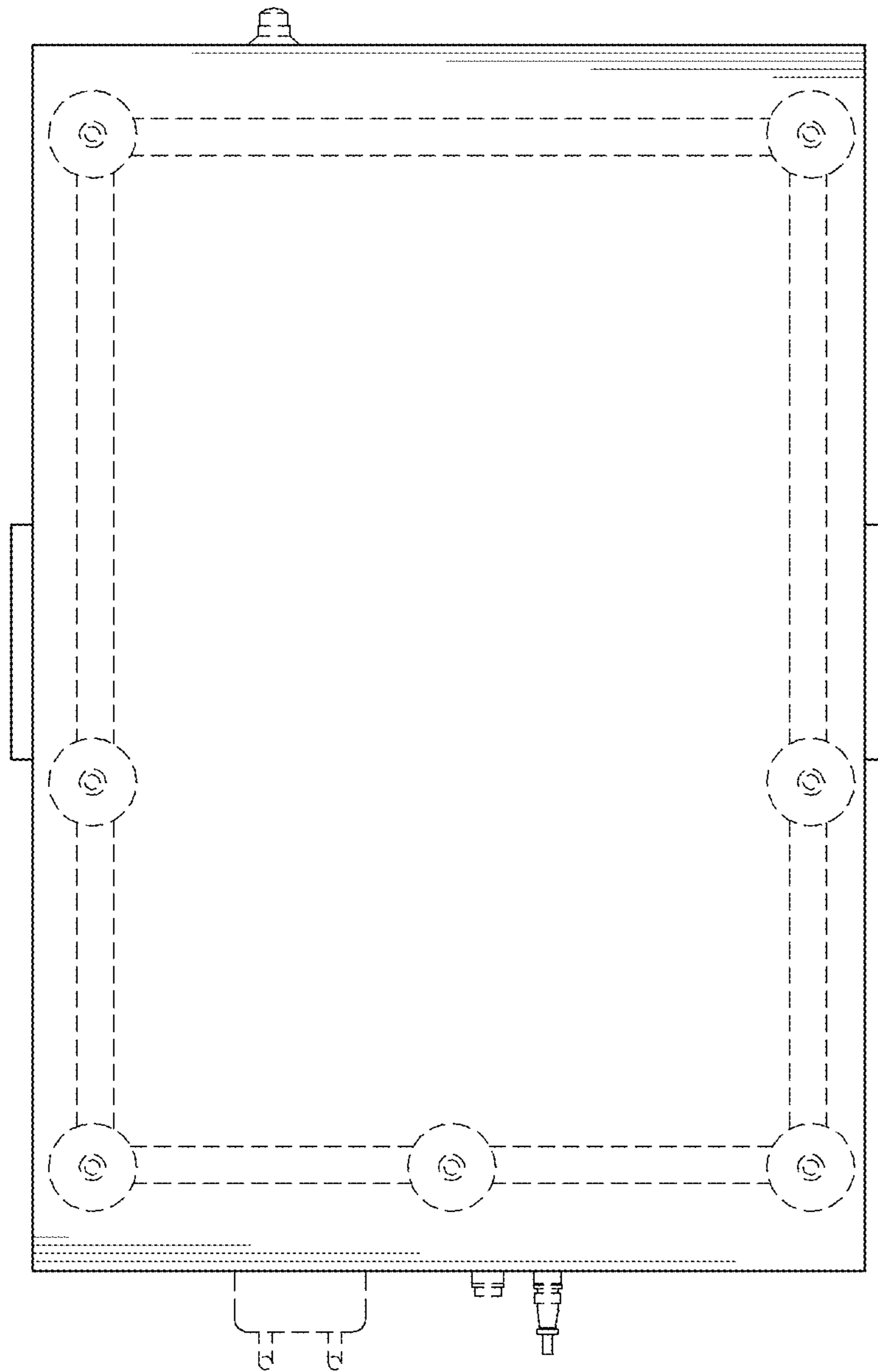


FIG. 7