



US00D713740S

(12) **United States Design Patent**  
**Akana et al.**

(10) **Patent No.:** **US D713,740 S**  
(45) **Date of Patent:** **\*\* Sep. 23, 2014**

(54) **CORDS AND PACKAGING**

(71) Applicant: **Apple Inc.**, Cupertino, CA (US)

(72) Inventors: **Jody Akana**, San Francisco, CA (US);  
**Bartley K. Andre**, Menlo Park, CA (US);  
**Shota Aoyagi**, San Francisco, CA (US);  
**Jeremy Bataillou**, San Francisco, CA (US);  
**Daniel J. Coster**, San Francisco, CA (US);  
**Daniele De Iuliis**, San Francisco, CA (US);  
**M. Evans Hankey**, San Francisco, CA (US);  
**Julian Hoenig**, San Francisco, CA (US);  
**Richard P. Howarth**, San Francisco, CA (US);  
**Jonathan P. Ive**, San Francisco, CA (US);  
**Duncan Robert Kerr**, San Francisco, CA (US);  
**Matthew Dean Rohrbach**, San Francisco, CA (US);  
**Peter Russell-Clarke**, San Francisco, CA (US);  
**Mikael Silvanto**, San Francisco, CA (US);  
**Christopher J. Stringer**, Woodside, CA (US);  
**Eugene Antony Whang**, San Francisco, CA (US);  
**Rico Zörkendörfer**, San Francisco, CA (US)

(73) Assignee: **Apple Inc.**, Cupertino, CA (US)

(\*\*) Term: **14 Years**

(21) Appl. No.: **29/476,537**

(22) Filed: **Dec. 13, 2013**

**Related U.S. Application Data**

(60) Division of application No. 29/443,610, filed on Jan. 18, 2013, now Pat. No. Des. 696,144, which is a continuation of application No. 29/424,276, filed on Jun. 10, 2012, now abandoned.

(51) **LOC (10) Cl.** ..... **09-01**

(52) **U.S. Cl.**  
USPC ..... **D9/721**

(58) **Field of Classification Search**  
USPC ..... D9/414, 424, 432, 711, 715, 721, 737,  
D9/759; D7/553.1, 553.2, 553.5, 554.3,  
D7/555; D13/107, 110, 137.4, 153;  
D14/240, 251, 253, 432, 433, 434;

174/54, 59, 61, 69, 73.1, 74 R;  
439/105, 166, 171-173, 218, 518, 692,  
439/956; 206/702, 703, 716, 725, 717,  
206/775-778; D24/223, 229; 220/528, 529;  
229/120.07, 120.08, 120.06

See application file for complete search history.

(56) **References Cited**

**U.S. PATENT DOCUMENTS**

2,278,037 A \* 3/1942 McIntire ..... 206/396  
3,796,304 A 3/1974 Blais

(Continued)

**OTHER PUBLICATIONS**

U.S. Appl. No. 29/408,999, inventors Birgers et al., filed Dec. 19, 2011.

(Continued)

*Primary Examiner* — Derrick Holland

*Assistant Examiner* — Lauren Calve

(74) *Attorney, Agent, or Firm* — Sterne, Kessler, Goldstein & Fox P.L.L.C.

(57) **CLAIM**

The ornamental design for cords and packaging, as shown and described.

**DESCRIPTION**

FIG. 1 is a top front perspective view of cords and packaging showing our new design;

FIG. 2 is a top view thereof;

FIG. 3 is a bottom view thereof;

FIG. 4 is a front view thereof;

FIG. 5 is a rear view thereof;

FIG. 6 is a side view thereof; and,

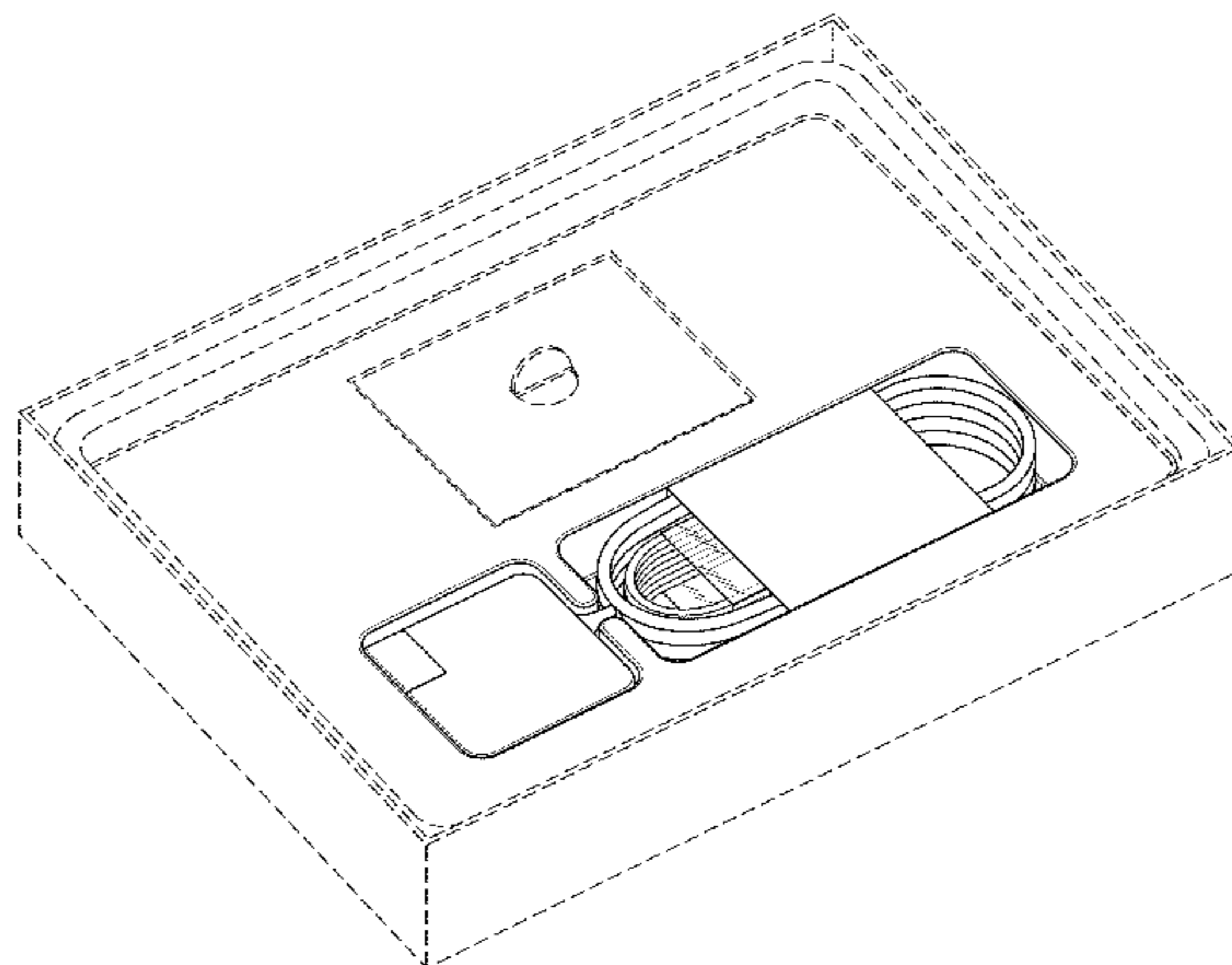
FIG. 7 is another side view thereof.

The broken lines shown in FIGS. 1-7 represent unclaimed subject matter and form no part of the claimed design.

The shade lines in the figures show contour and not surface ornamentation.

The oblique shade lines in the figures show transparency and not surface ornamentation.

**1 Claim, 5 Drawing Sheets**



(56)

References Cited

U.S. PATENT DOCUMENTS

3,802,555 A 4/1974 Grasty et al.  
 3,850,333 A 11/1974 Reichert  
 D237,317 S 10/1975 Nowakowski et al.  
 D258,768 S \* 3/1981 Haran et al. .... D28/9  
 D280,290 S 8/1985 Bakus  
 4,739,353 A 4/1988 Heuer et al.  
 4,878,586 A 11/1989 Bancroft et al.  
 D324,651 S 3/1992 Kaneko  
 5,129,514 A 7/1992 Lilley, Jr.  
 5,139,141 A 8/1992 Dickie  
 D329,601 S \* 9/1992 Samelson ..... D9/721  
 D369,469 S 5/1996 Gregory  
 D396,956 S 8/1998 Iversen et al.  
 5,887,749 A 3/1999 Schommer et al.  
 D440,118 S 4/2001 Claffy et al.  
 6,349,452 B1 2/2002 Cisneros  
 D464,875 S 10/2002 Koppang  
 6,544,051 B1 4/2003 Su  
 D478,546 S 8/2003 Andre et al.  
 D492,250 S 6/2004 Alviar et al.  
 6,871,921 B2 3/2005 Ernst

D504,563 S 5/2005 Broussard et al.  
 D509,147 S 9/2005 Selby  
 D519,922 S 5/2006 Andre et al.  
 D586,753 S 2/2009 Diamond et al.  
 D590,708 S 4/2009 Maguire et al.  
 D629,310 S 12/2010 Tran  
 7,882,600 B2 2/2011 Judd  
 D646,984 S 10/2011 Moore et al.  
 8,222,773 B2 7/2012 De Iuliis et al.  
 D685,654 S \* 7/2013 Akana et al. .... D9/737  
 8,534,463 B2 \* 9/2013 Smith ..... 206/775  
 D696,144 S \* 12/2013 Akana et al. .... D9/715  
 8,631,935 B2 \* 1/2014 Tomes et al. .... 206/370  
 D704,072 S \* 5/2014 Akana et al. .... D9/721  
 2003/0159969 A1 \* 8/2003 McMichael et al. .... 206/570  
 2004/0079579 A1 4/2004 Barwacz  
 2007/0051662 A1 3/2007 Millar-Sax et al.

OTHER PUBLICATIONS

U.S. Appl. No. 29/409,740, Inventors Birgers et al., filed Dec. 28, 2011.

\* cited by examiner

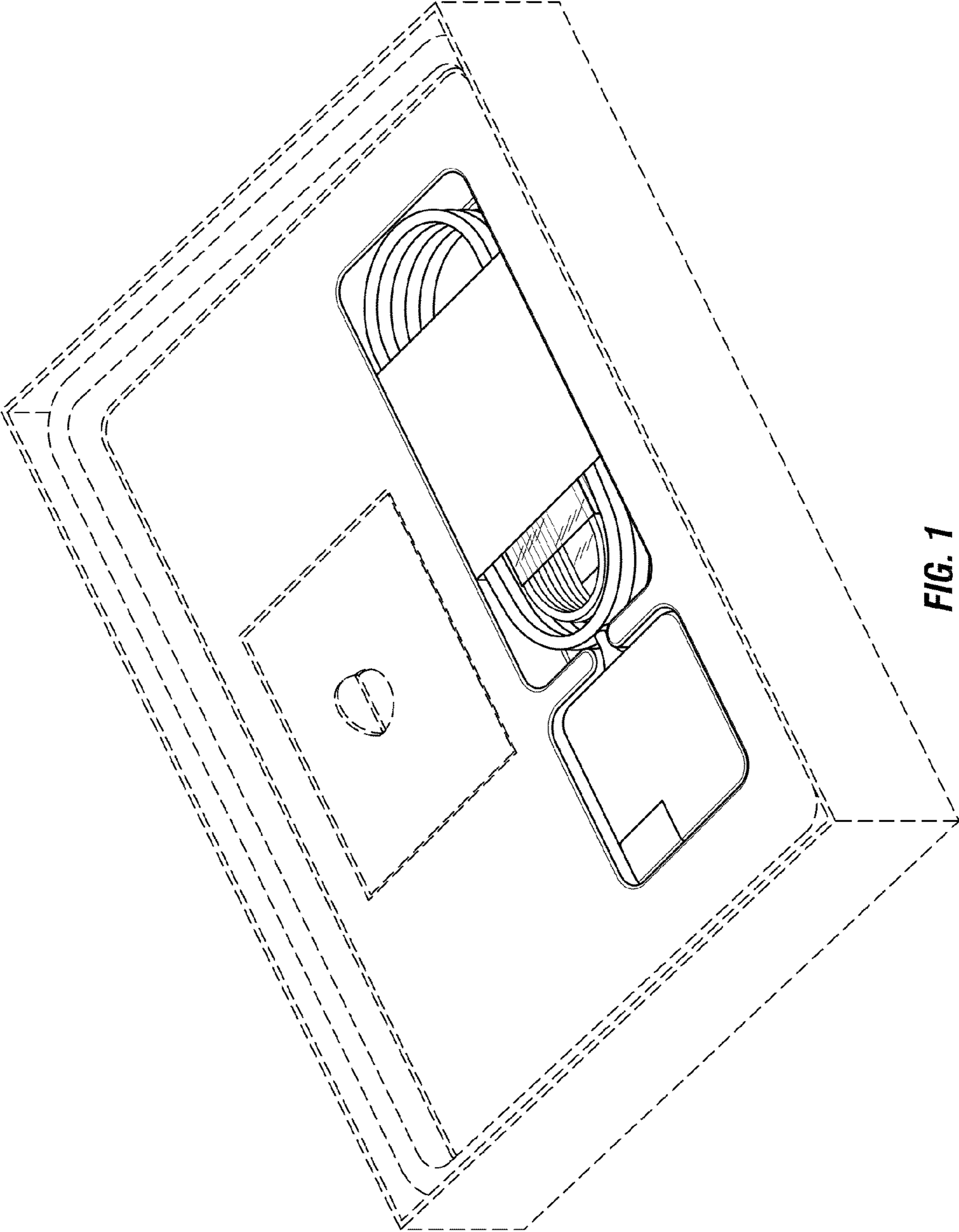


FIG. 1

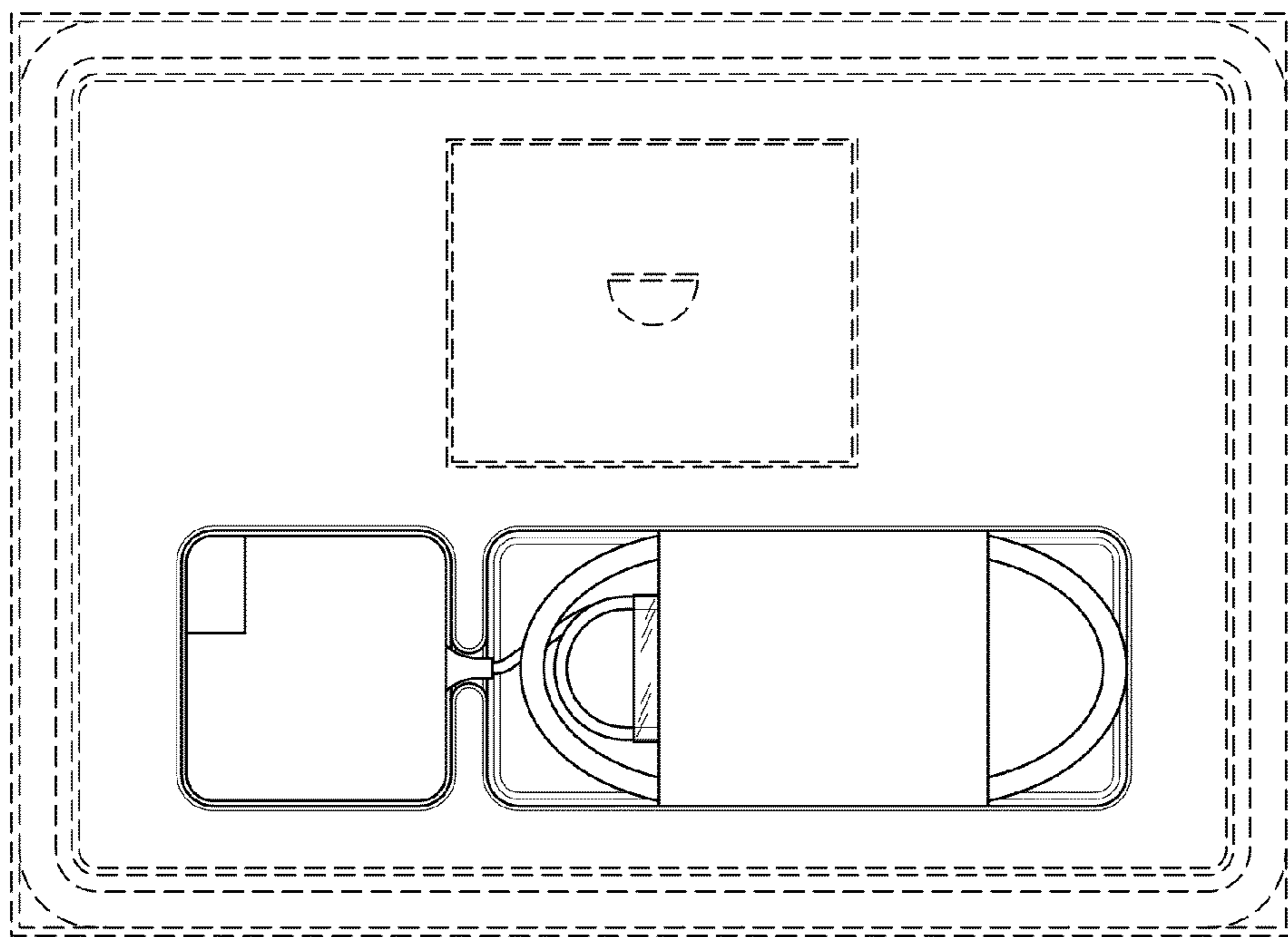


FIG. 2



***FIG. 3***





***FIG. 4***



***FIG. 5***



***FIG. 6***



***FIG. 7***