



US00D713739S

(12) **United States Design Patent**  
**Akana et al.**

(10) **Patent No.:** **US D713,739 S**  
(45) **Date of Patent:** **\*\* Sep. 23, 2014**

(54) **PACKAGING WITH ACCESSORIES**

(75) Inventors: **Jody Akana**, San Francisco, CA (US);  
**Bartley K. Andre**, Palo Alto, CA (US);  
**Shota Aoyagi**, San Francisco, CA (US);  
**Jeremy Bataillou**, San Francisco, CA  
(US); **Daniel J. Coster**, San Francisco,  
CA (US); **Daniele De Iuliis**, San  
Francisco, CA (US); **M. Evans Hankey**,  
San Francisco, CA (US); **Julian Hoenig**,  
San Francisco, CA (US); **Richard P.**  
**Howarth**, San Francisco, CA (US);  
**Jonathan P. Ive**, San Francisco, CA  
(US); **Duncan Robert Kerr**, San  
Francisco, CA (US); **Shin Nishibori**,  
Kailua, HI (US); **Matthew Dean**  
**Rohrbach**, San Francisco, CA (US);  
**Peter Russell-Clarke**, San Francisco,  
CA (US); **Mikael Silvanto**, San  
Francisco, CA (US); **Christopher J.**  
**Stringer**, Woodside, CA (US); **Eugene**  
**Antony Whang**, San Francisco, CA  
(US); **Rico Zörkendörfer**, San  
Francisco, CA (US)

(73) Assignee: **Apple Inc.**, Cupertino, CA (US)

(\*\*) Term: **14 Years**

(21) Appl. No.: **29/432,409**

(22) Filed: **Sep. 14, 2012**

**Related U.S. Application Data**

(63) Continuation-in-part of application No. 29/432,147,  
filed on Sep. 13, 2012, which is a continuation-in-part  
of application No. 29/431,877, filed on Sep. 12, 2012,  
and a continuation-in-part of application No.  
29/432,035, filed on Sep. 12, 2012.

(51) **LOC (10) Cl.** ..... **09-01**

(52) **U.S. Cl.**  
USPC ..... **D9/721**

(58) **Field of Classification Search**  
USPC ..... D9/414, 418, 423, 424, 425, 426, 430,  
D9/432, 455, 456, 457, 737, 739, 744, 759,  
D9/760; 206/38, 192, 199, 201, 203, 214,

206/216, 223, 370, 467, 471, 557, 562, 564,  
206/570, 581, 769, 770, 775, 776, 777, 820,  
206/823; 229/100, 103.3, 117.03–117.08,  
229/162.1, 186, 917, 933, 937, 942

See application file for complete search history.

(56) **References Cited**

U.S. PATENT DOCUMENTS

4,501,363 A \* 2/1985 Isbey, Jr. .... 206/570  
4,542,822 A 9/1985 Kennedy, Jr. et al.

(Continued)

OTHER PUBLICATIONS

Jacostore.co.uk “Black Ladybird Beetle Earphones,” (<http://www.jacostore.co.uk/black-ladybird-beetle-earphones-45-p.asp>),  
accessed Oct. 19, 2012.

(Continued)

*Primary Examiner* — Derrick Holland

*Assistant Examiner* — Lauren Calve

(74) *Attorney, Agent, or Firm* — Sterne, Kessler, Goldstein  
& Fox P.L.L.C.

(57) **CLAIM**

The ornamental design for packaging with accessories, as  
shown and described.

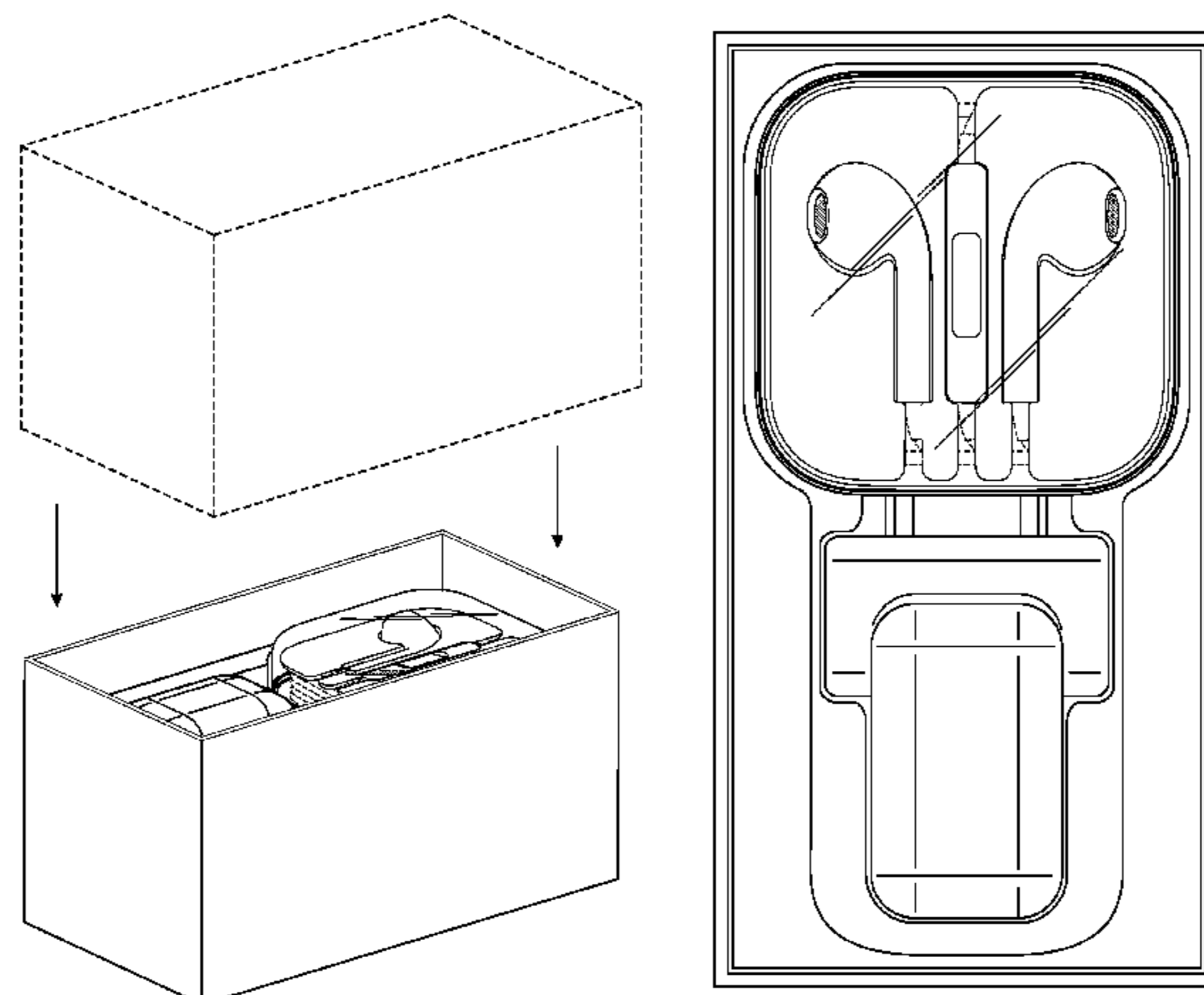
**DESCRIPTION**

FIG. 1 is an exploded bottom front perspective view of pack-  
aging with accessories showing our new design;  
FIG. 2 is a front view thereof;  
FIG. 3 is an exploded bottom front perspective view of a  
portion of the interior of the packaging of FIG. 1;  
FIG. 4 is a rear view of the packaging of FIG. 2;  
FIG. 5 is a left side view thereof;  
FIG. 6 is a right side view thereof;  
FIG. 7 is a top view thereof; and,  
FIG. 8 is a bottom view thereof.

The broken lines in the Figures show portions of the packag-  
ing with accessories which form no part of the claimed  
design.

The shade lines in the Figures show contour and transparency  
and not surface ornamentation.

**1 Claim, 7 Drawing Sheets**



(56)

References Cited

U.S. PATENT DOCUMENTS

4,606,460 A \* 8/1986 Luray ..... 206/583  
 5,311,990 A \* 5/1994 Kalinski ..... 206/370  
 D349,456 S \* 8/1994 Wilson ..... D9/737  
 5,449,071 A \* 9/1995 Levy ..... 206/569  
 5,462,170 A \* 10/1995 Colgate ..... 206/574  
 D397,865 S 9/1998 Lin  
 5,984,224 A 11/1999 Yang  
 6,400,247 B1 \* 6/2002 King ..... 335/302  
 6,779,566 B2 \* 8/2004 Engel ..... 141/25  
 D506,744 S 6/2005 Andre et al.  
 D519,922 S 5/2006 Andre et al.  
 D531,025 S 10/2006 Tanner  
 D558,571 S 1/2008 Andre et al.  
 D580,752 S 11/2008 Andre et al.  
 D583,362 S \* 12/2008 Hsu et al. .... D14/205  
 D596,485 S 7/2009 Andre et al.  
 D601,884 S 10/2009 Andre et al.  
 D604,501 S 11/2009 Lee  
 D611,415 S 3/2010 Andre et al.  
 D620,795 S 8/2010 Andre et al.  
 D621,256 S 8/2010 Andre et al.  
 7,878,326 B2 2/2011 Andre et al.  
 D649,449 S 11/2011 Akana et al.  
 D649,450 S 11/2011 Andre et al.  
 D658,492 S 5/2012 Akana et al.  
 D659,530 S 5/2012 Akana et al.  
 D668,143 S 10/2012 Akana et al.

2009/0114565 A1 \* 5/2009 Dhuru et al. .... 206/780  
 2012/0128193 A1 \* 5/2012 Stevinson ..... 381/384  
 2013/0118944 A1 \* 5/2013 Niiro et al. .... 206/471

OTHER PUBLICATIONS

Akana et al., U.S. Appl. No. 29/431,563, "Earphones," filed Sep. 8, 2012 (Not Published).  
 Akana et al., U.S. Appl. No. 29/431,731, "Stand," filed Sep. 11, 2012 (Not Published).  
 Akana et al., U.S. Appl. No. 29/341,868, "Packaging," filed Sep. 11, 2012 (Not Published).  
 Akana et al., U.S. Appl. No. 29/431,876, "Packaging with Accessory," filed Sep. 11, 2012 (Not Published).  
 Akana et al., U.S. Appl. No. 29/431,877, "Packaging with Accessories," filed Sep. 12, 2012 (Not Published).  
 Akana et al., U.S. Appl. No. 29/431,882, "Packaging with Accessories," filed Sep. 12, 2012 (Not Published).  
 Akana et al., U.S. Appl. No. 29/431,920, "Packaging with Accessory," filed Sep. 12, 2012 (Not Published).  
 Akana et al., U.S. Appl. No. 29/432,033, "Earphones," filed Sep. 12, 2012 (Not Published).  
 Akana et al., U.S. Appl. No. 29/432,035, "Packaging with Accessories," filed Sep. 12, 2012 (Not Published).  
 Birgers et al., U.S. Appl. No. 29/408,999, "Cable Hanking," filed Dec. 19, 2011 (Not Published).  
 Birgers et al., U.S. Appl. No. 29/409,740, "Cable Hanking," filed Dec. 28, 2011 (Not Published).  
 Akana et al., U.S. Appl. No. 29/432,147, "Packaging with Accessories," filed Sep. 13, 2012 (Not Published).

\* cited by examiner

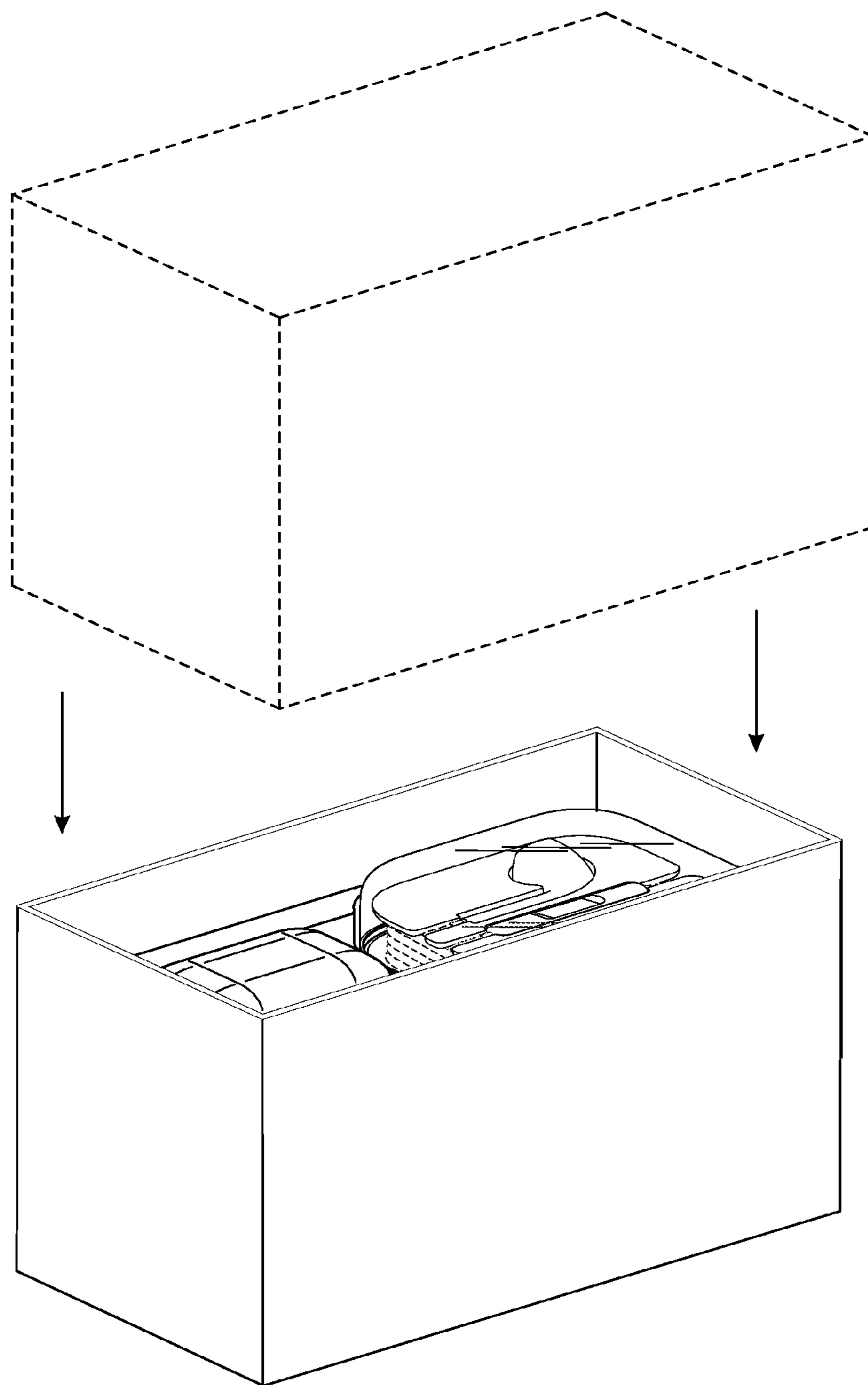


FIG. 1

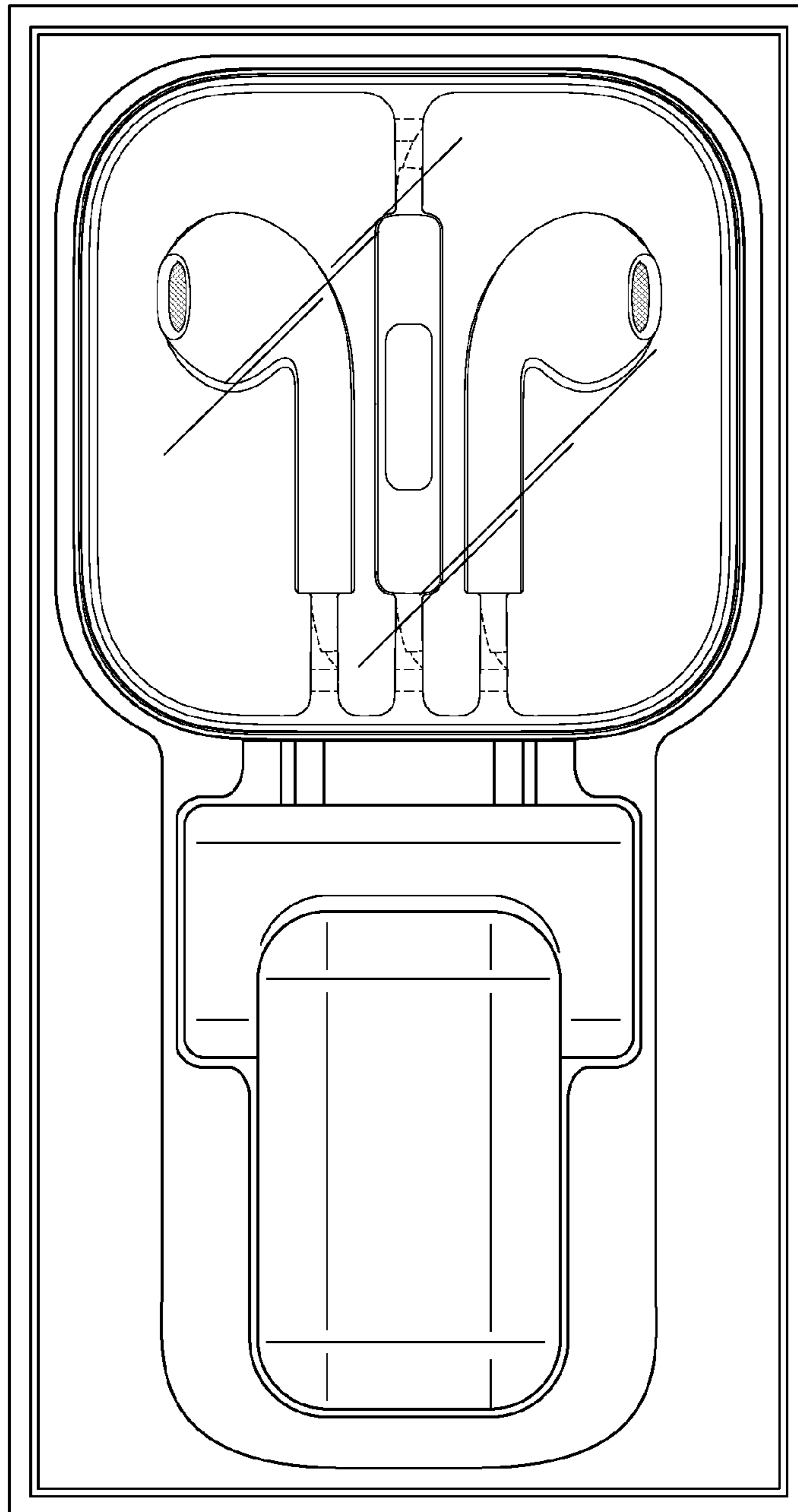


FIG. 2

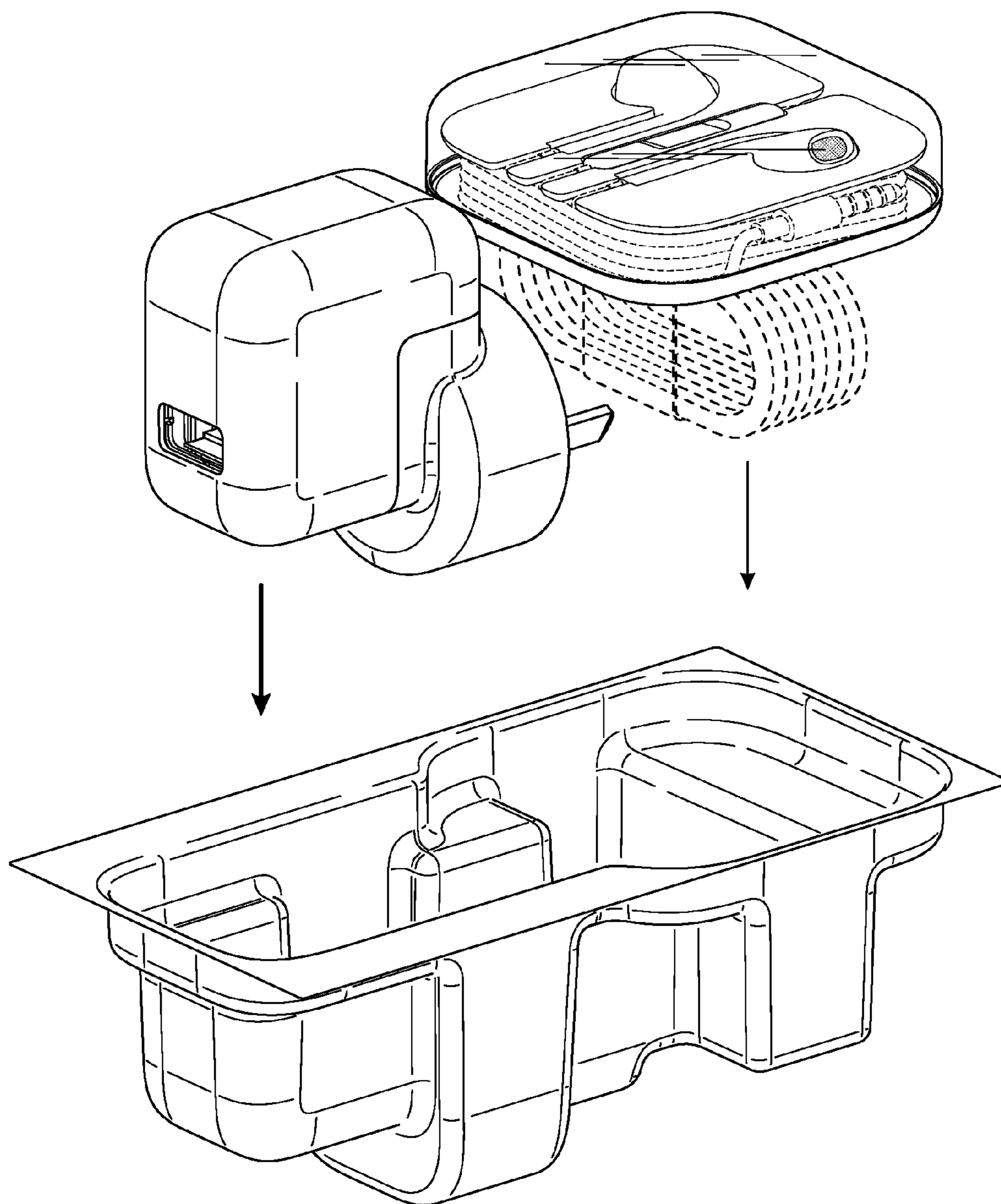
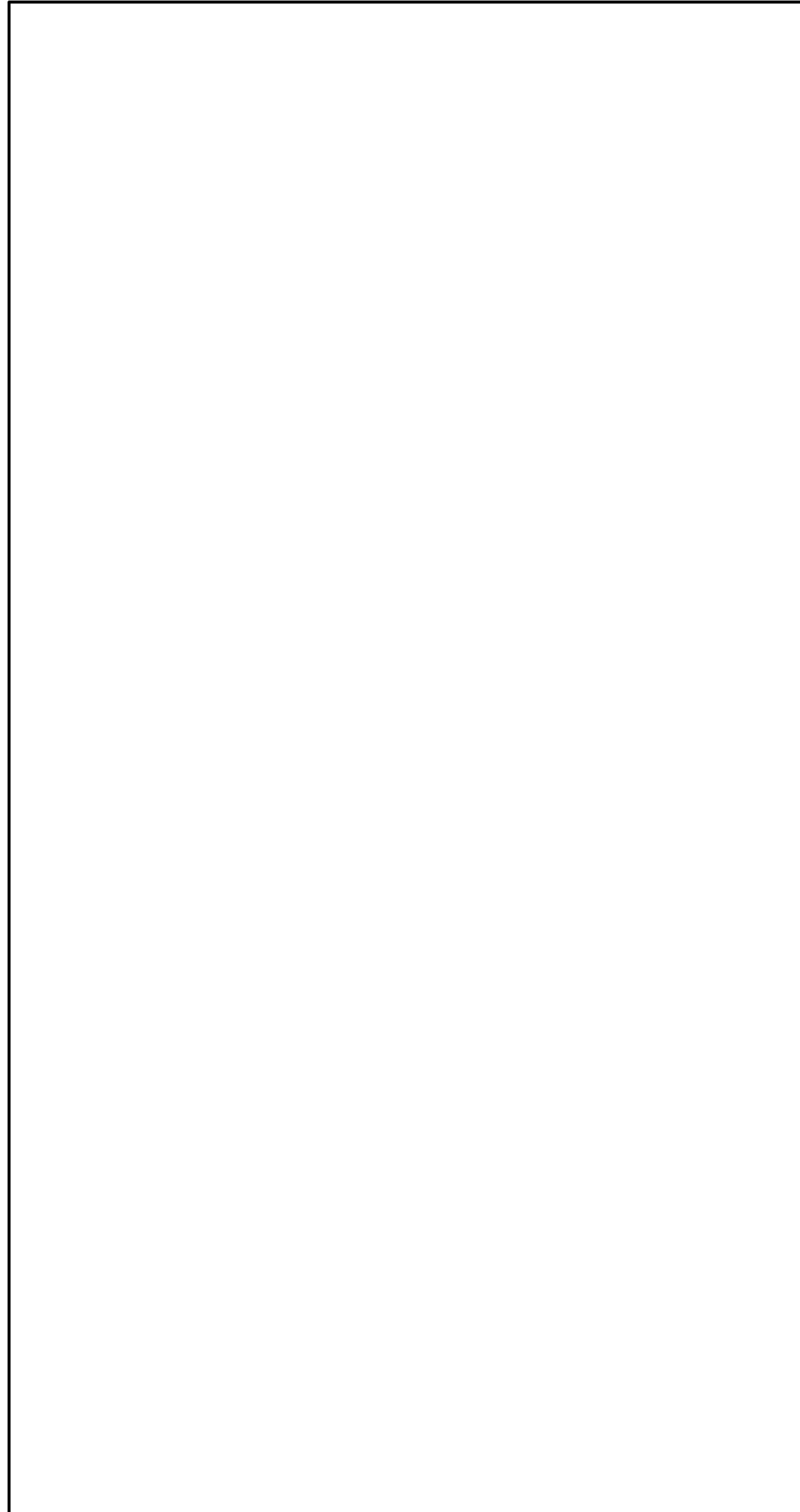
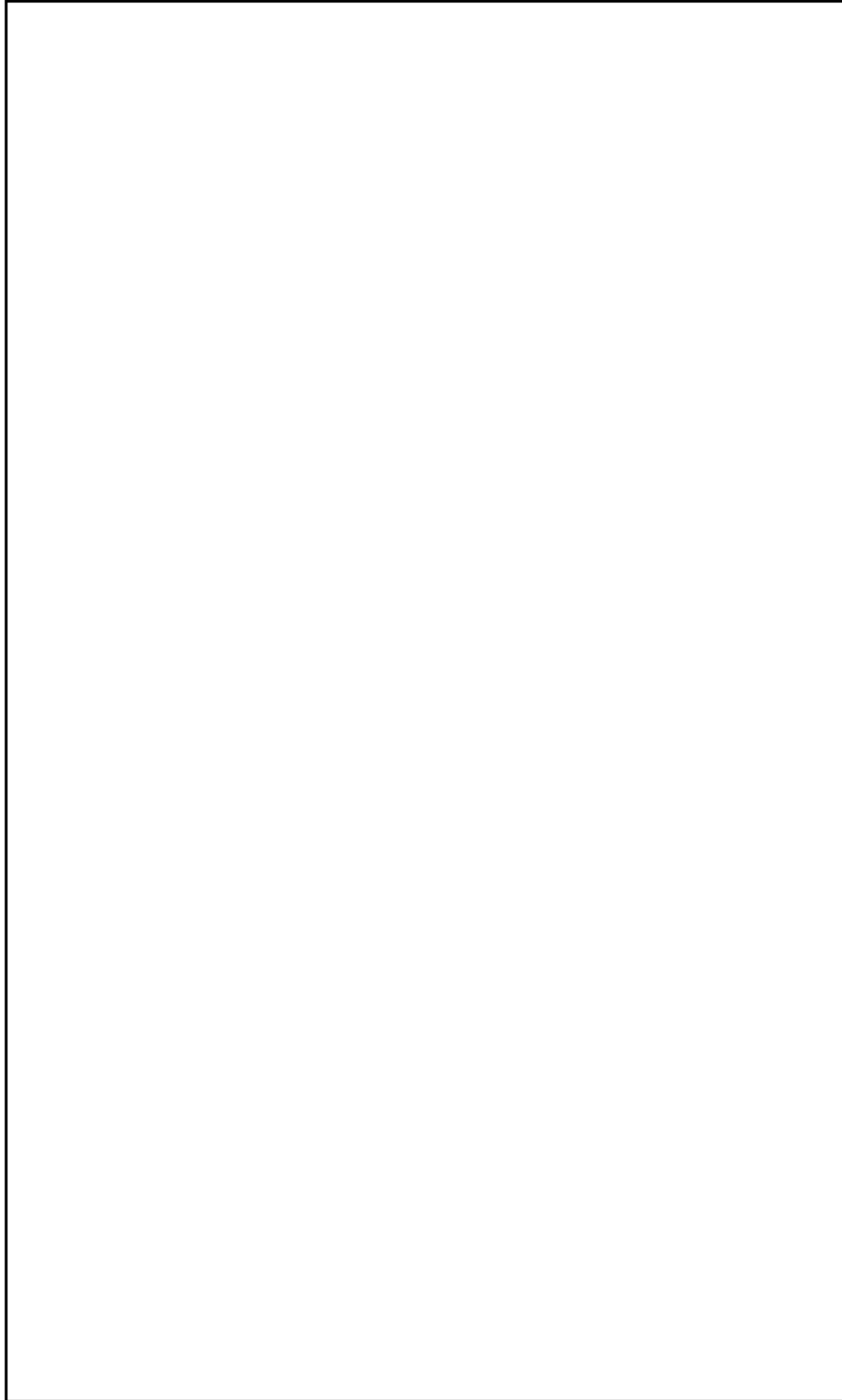


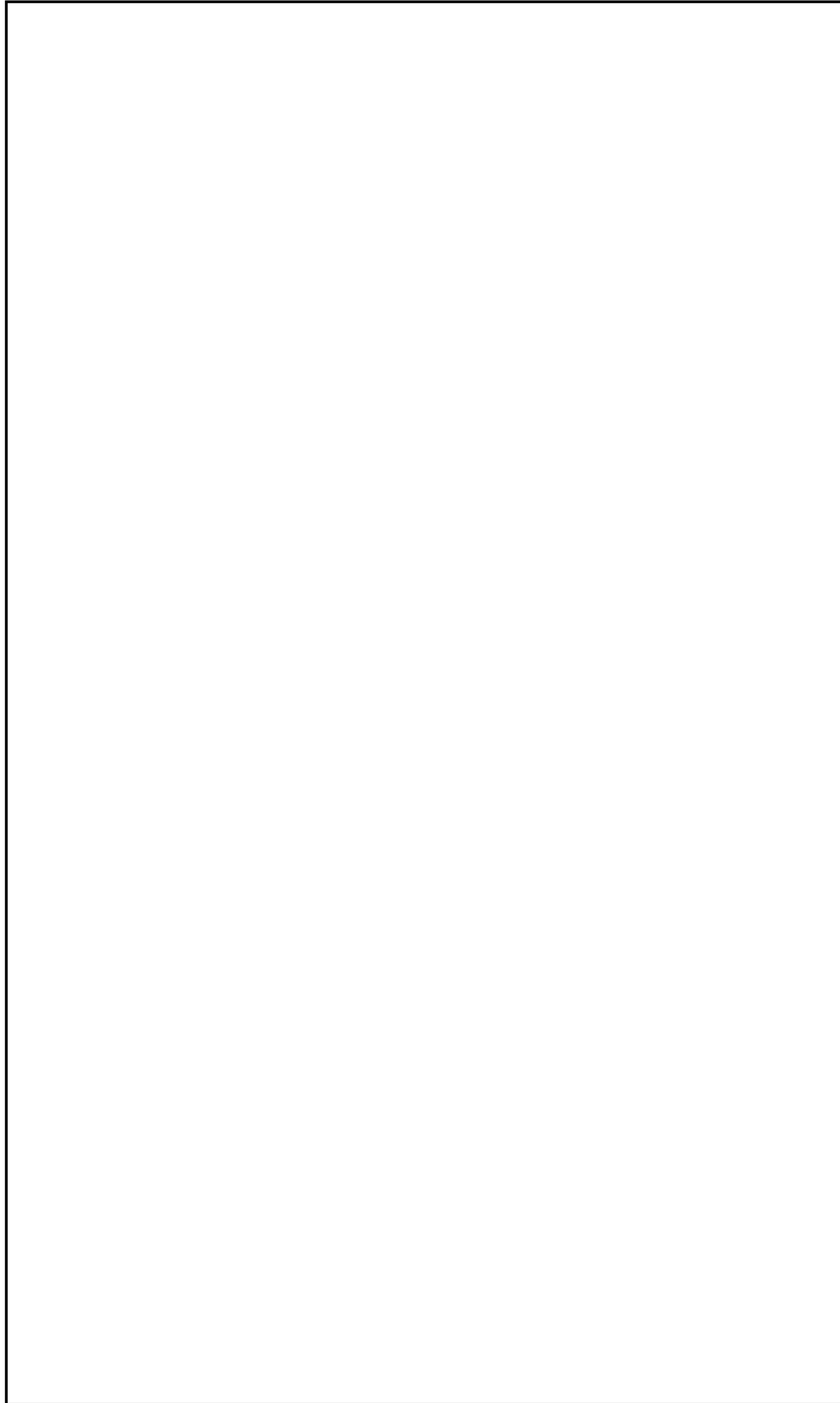
FIG. 3



**FIG. 4**

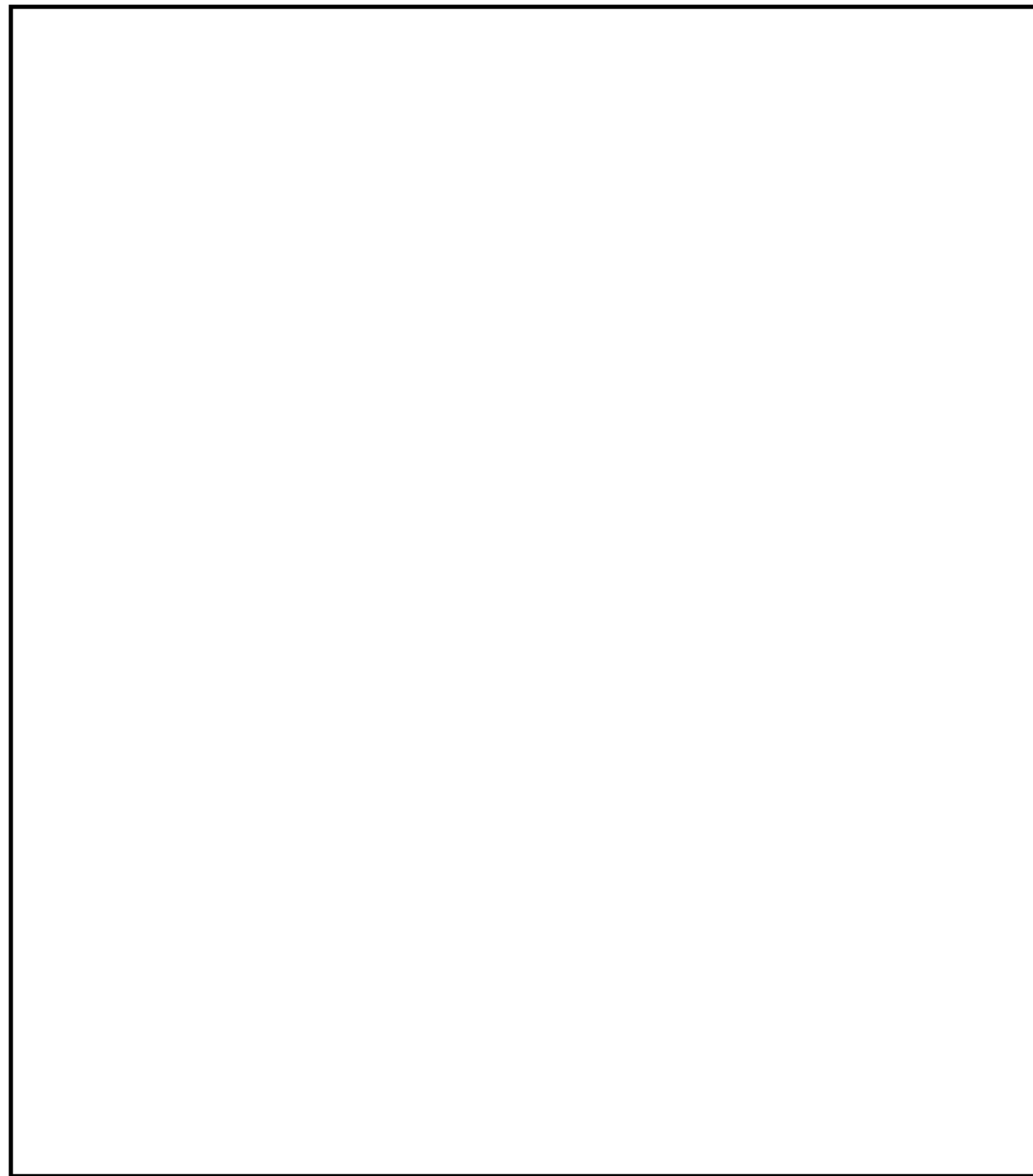


**FIG. 5**

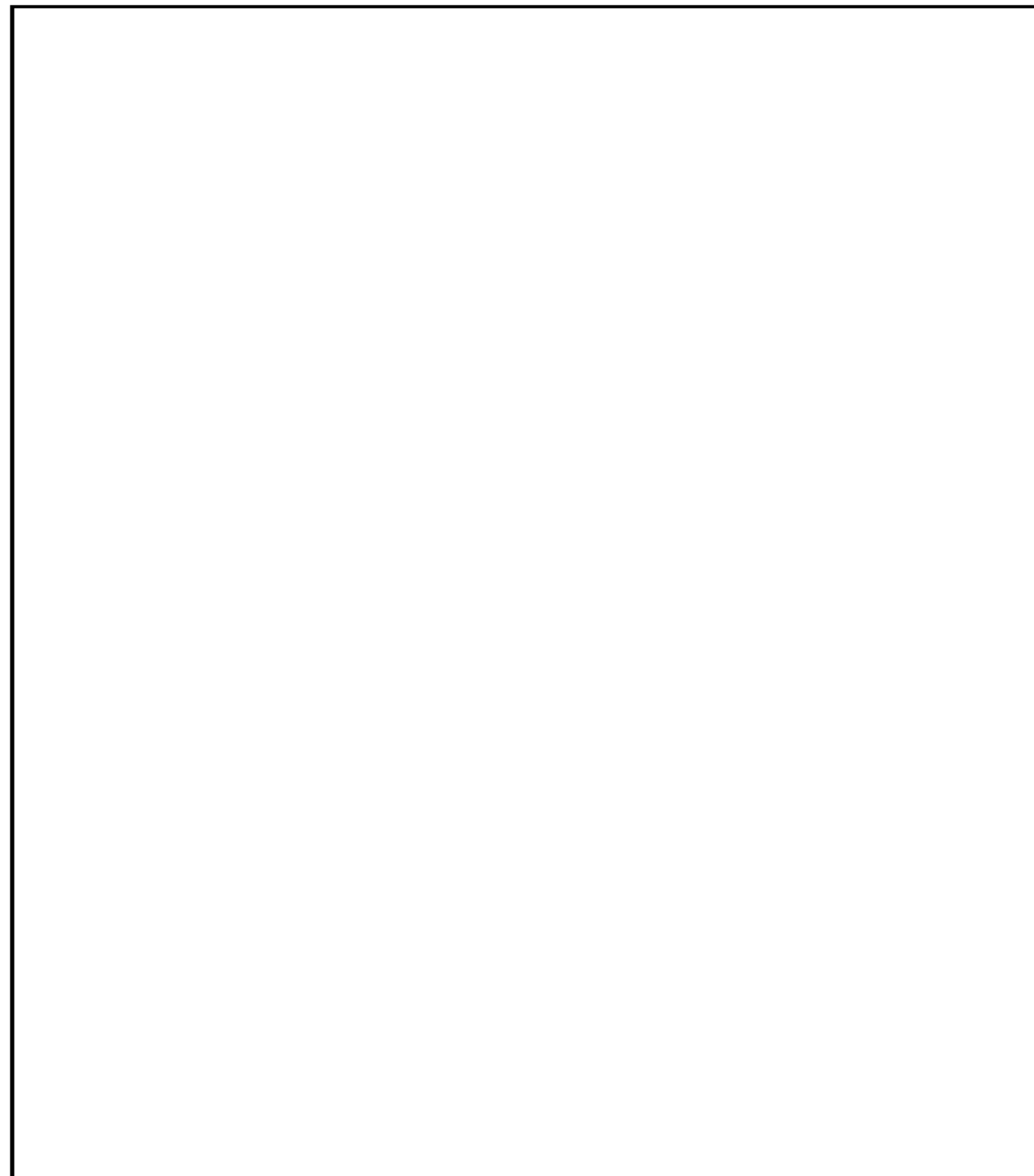


**FIG. 6**





**FIG. 7**



**FIG. 8**