



US00D713738S

(12) **United States Design Patent**
Akana et al.

(10) **Patent No.:** **US D713,738 S**
(45) **Date of Patent:** **** Sep. 23, 2014**

(54) **PACKAGING WITH ACCESSORIES**

(75) Inventors: **Jody Akana**, San Francisco, CA (US);
Bartley K. Andre, Palo Alto, CA (US);
Shota Aoyagi, San Francisco, CA (US);
Jeremy Bataillou, San Francisco, CA
(US); **Daniel J. Coster**, San Francisco,
CA (US); **Daniele De Iuliis**, San
Francisco, CA (US); **M. Evans Hankey**,
San Francisco, CA (US); **Julian Hoenig**,
San Francisco, CA (US); **Richard P.**
Howarth, San Francisco, CA (US);
Jonathan P. Ive, San Francisco, CA
(US); **Duncan Robert Kerr**, San
Francisco, CA (US); **Shin Nishibori**,
Kailua, HI (US); **Matthew Dean**
Rohrbach, San Francisco, CA (US);
Peter Russell-Clarke, San Francisco,
CA (US); **Mikael Silvanto**, San
Francisco, CA (US); **Christopher J.**
Stringer, Woodside, CA (US); **Eugene**
Antony Whang, San Francisco, CA
(US); **Rico Zörkendörfer**, San
Francisco, CA (US)

(73) Assignee: **Apple Inc.**, Cupertino, CA (US)

(**) Term: **14 Years**

(21) Appl. No.: **29/432,147**

(22) Filed: **Sep. 13, 2012**

Related U.S. Application Data

(63) Continuation-in-part of application No. 29/431,877,
filed on Sep. 12, 2012, now Pat. No. Des. 712,748, and
a continuation-in-part of application No. 29/432,035,
filed on Sep. 12, 2012.

(51) **LOC (10) Cl.** **09-03**

(52) **U.S. Cl.**
USPC **D9/721**

(58) **Field of Classification Search**
USPC D9/414, 418, 423, 424, 425, 426, 430,
D9/432, 455, 456, 457, 736, 737; 206/38,
206/45.21, 192, 199, 201, 203, 214, 216,
206/223, 305, 370, 372, 467, 471, 557, 558,
206/562, 564, 565, 569, 570, 581, 701, 765,
206/769, 770, 775, 776, 777, 820, 823;

229/100, 103.3, 103.2, 120.02, 120.07,
229/162.1, 117.03–117.08, 186, 917, 933,
229/937, 942; D24/121, 128, 227, 229;
D3/203.1, 203.3, 313; D14/205, 206,
D14/223

See application file for complete search history.

(56) **References Cited**

U.S. PATENT DOCUMENTS

1,364,897 A * 1/1921 Smith 229/182
4,293,074 A * 10/1981 Dunsky 206/572

(Continued)

OTHER PUBLICATIONS

Jacostore.co.uk, “Black Ladybird Beetle Earphones,” (<http://www.jacostore.co.uk/black-ladybird-beetle-earphones-45-p.asp>),
accessed Oct. 19, 2012.

(Continued)

Primary Examiner — Derrick Holland

Assistant Examiner — Lauren Calve

(74) *Attorney, Agent, or Firm* — Sterne, Kessler, Goldstein
& Fox P.L.L.C.

(57) **CLAIM**

The ornamental design for a packaging with accessories, as
shown and described.

DESCRIPTION

FIG. 1 is an exploded bottom front perspective view of a
packaging with accessories showing our new design.

FIG. 2 is a front view thereof;

FIG. 3 is an exploded bottom front perspective view of a
portion of the interior of the packaging of FIG. 1;

FIG. 4 is a rear view of the packaging of FIG. 2;

FIG. 5 is a left side view thereof;

FIG. 6 is a right side view thereof;

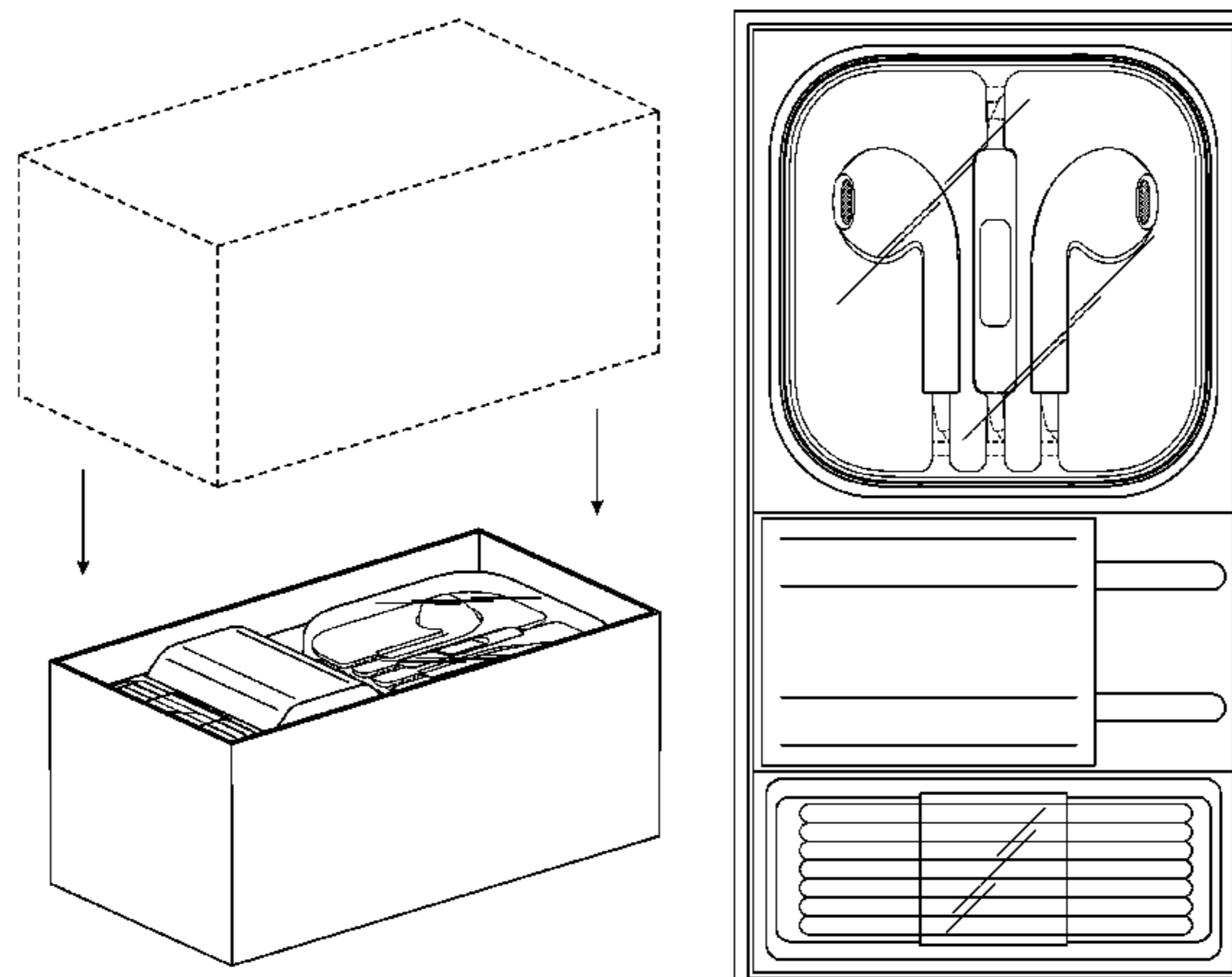
FIG. 7 is a top view thereof; and,

FIG. 8 is a bottom view thereof.

The broken lines in the Figures show portions of the packag-
ing with accessories which form no part of the claimed
design.

The shade lines in the Figures show contour and transparency
and not surface ornamentation.

1 Claim, 6 Drawing Sheets



(56)

References Cited

U.S. PATENT DOCUMENTS

4,542,822 A * 9/1985 Kennedy et al. 220/602
 4,606,460 A * 8/1986 Luray 206/583
 D291,513 S * 8/1987 Gingham, Jr. D6/467
 D329,601 S * 9/1992 Samelson D9/721
 5,180,063 A * 1/1993 Sakno 206/582
 D343,687 S * 1/1994 Houghton et al. D24/229
 5,311,990 A * 5/1994 Kalinski 206/370
 D349,456 S * 8/1994 Wilson D9/737
 5,462,170 A * 10/1995 Colgate 206/574
 5,779,045 A * 7/1998 Yu 206/320
 D397,865 S 9/1998 Lin
 5,984,224 A 11/1999 Yang
 6,588,587 B2 * 7/2003 Johnson et al. 206/363
 D498,462 S 11/2004 Andre et al.
 D506,744 S 6/2005 Andre et al.
 D519,922 S 5/2006 Andre et al.
 D531,025 S 10/2006 Tanner
 D558,571 S 1/2008 Andre et al.
 D580,752 S 11/2008 Andre et al.
 D583,362 S * 12/2008 Hsu et al. D14/205
 D596,485 S 7/2009 Andre et al.
 D601,884 S 10/2009 Andre et al.
 D603,376 S * 11/2009 Blasko D14/223
 D604,501 S 11/2009 Lee
 7,624,873 B2 * 12/2009 Tennant et al. 206/569
 D611,415 S 3/2010 Andre et al.
 D620,795 S * 8/2010 Andre et al. D9/432
 D621,256 S 8/2010 Andre et al.
 7,878,326 B2 2/2011 Andre et al.
 D649,449 S 11/2011 Akana et al.
 D649,450 S 11/2011 Andre et al.
 D658,492 S 5/2012 Akana et al.
 D659,530 S 5/2012 Akana et al.
 D668,143 S 10/2012 Akana et al.
 D685,771 S * 7/2013 Bertenthal D14/223
 D699,370 S * 2/2014 Motadel et al. D24/229
 2002/0128081 A1 * 9/2002 Clarke et al. 472/81
 2003/0213725 A1 * 11/2003 Koike 206/588

2004/0004019 A1 * 1/2004 Busch 206/571
 2008/0273294 A1 * 11/2008 Tseng 361/679
 2009/0326707 A1 * 12/2009 Mattila 700/216
 2011/0317865 A1 * 12/2011 Stevinson 381/384
 2012/0128193 A1 * 5/2012 Stevinson 381/384
 2013/0114231 A1 * 5/2013 Cheng 361/807
 2013/0118944 A1 * 5/2013 Niiro et al. 206/471
 2013/0168486 A1 * 7/2013 Abfall et al. 242/588.3
 2013/0265702 A1 * 10/2013 Merenda 361/679.01

OTHER PUBLICATIONS

Akana et al., U.S. Appl. No. 29/431,563, "Earphones," filed Sep. 8, 2012 (Not Published).
 Akana et al., U.S. Appl. No. 29/431,731, "Stand," filed Sep. 11, 2012 (Not Published).
 Akana et al., U.S. Appl. No. 29/431,868, "Packaging," filed Sep. 11, 2012 (Not Published).
 Akana et al., U.S. Appl. No. 29/431,871, "Power Module," filed Sep. 11, 2012 (Not Published).
 Akana et al., U.S. Appl. No. 29/431,876, "Packaging with Accessory," filed Sep. 11, 2012 (Not Published).
 Akana et al., U.S. Appl. No. 29/431,877, "Packaging with Accessories," filed Sep. 12, 2012 (Not Published).
 Akana et al., U.S. Appl. No. 29/431,882, "Packaging with Accessories," filed Sep. 12, 2012 (Not Published).
 Akana et al., U.S. Appl. No. 29/431,920, "Packaging with Accessory," filed Sep. 12, 2012 (Not Published).
 Akana et al., U.S. Appl. No. 29/432,033, "Earphones," filed Sep. 12, 2012 (Not Published).
 Akana et al., U.S. Appl. No. 29/432,035, "Packaging with Accessories," filed Sep. 12, 2012 (Not Published).
 Akana et al., U.S. Appl. No. 29/432,409, "Packaging with Accessories," filed Sep. 14, 2012 (Not Published).
 Birgers et al., U.S. Appl. No. 29/408,999, "Cable Hanking," filed Dec. 19, 2011 (Not Published).
 Birgers et al., U.S. Appl. No. 29/409,740, "Cable Hanking," filed Dec. 28, 2011 (Not Published).

* cited by examiner

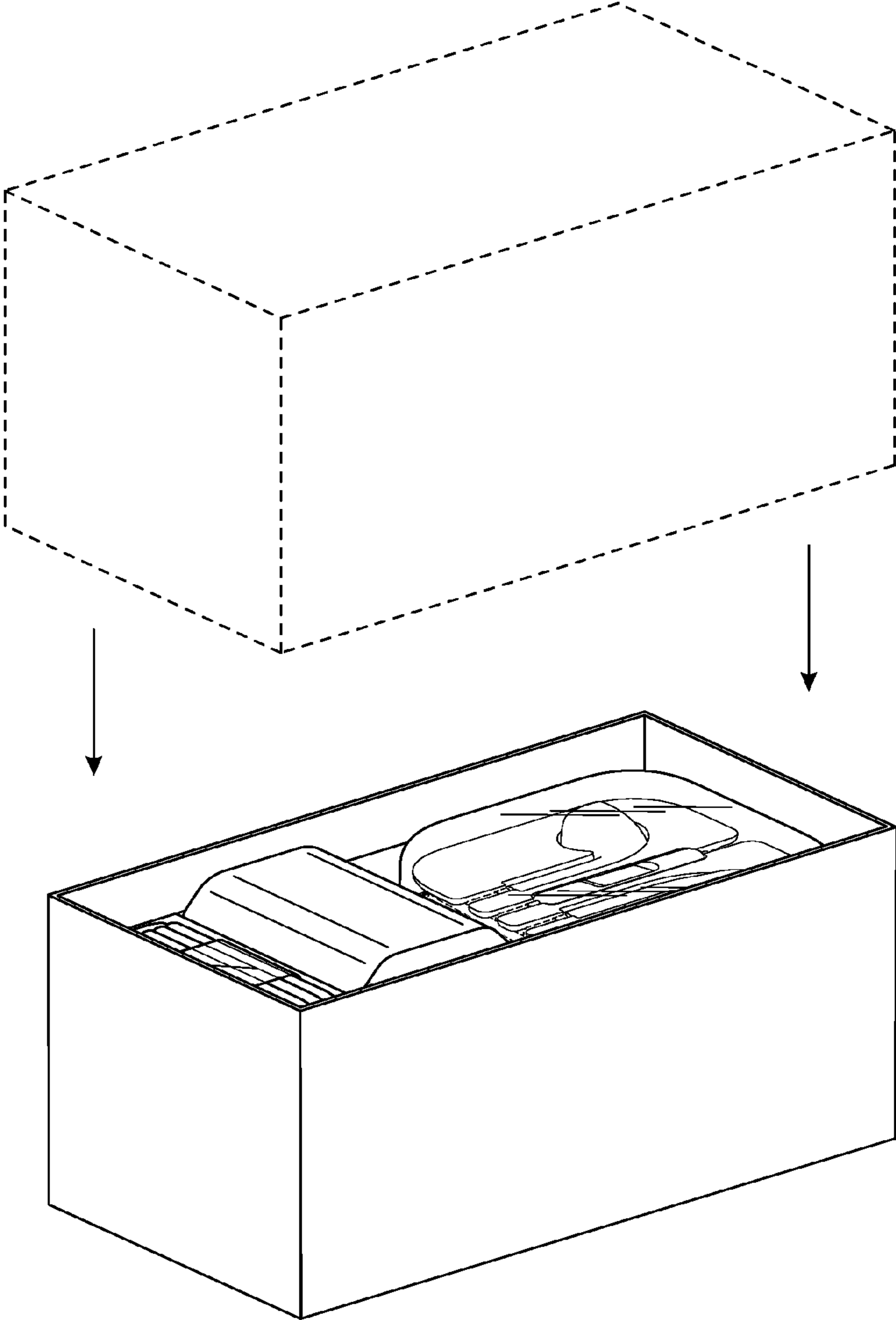


FIG. 1

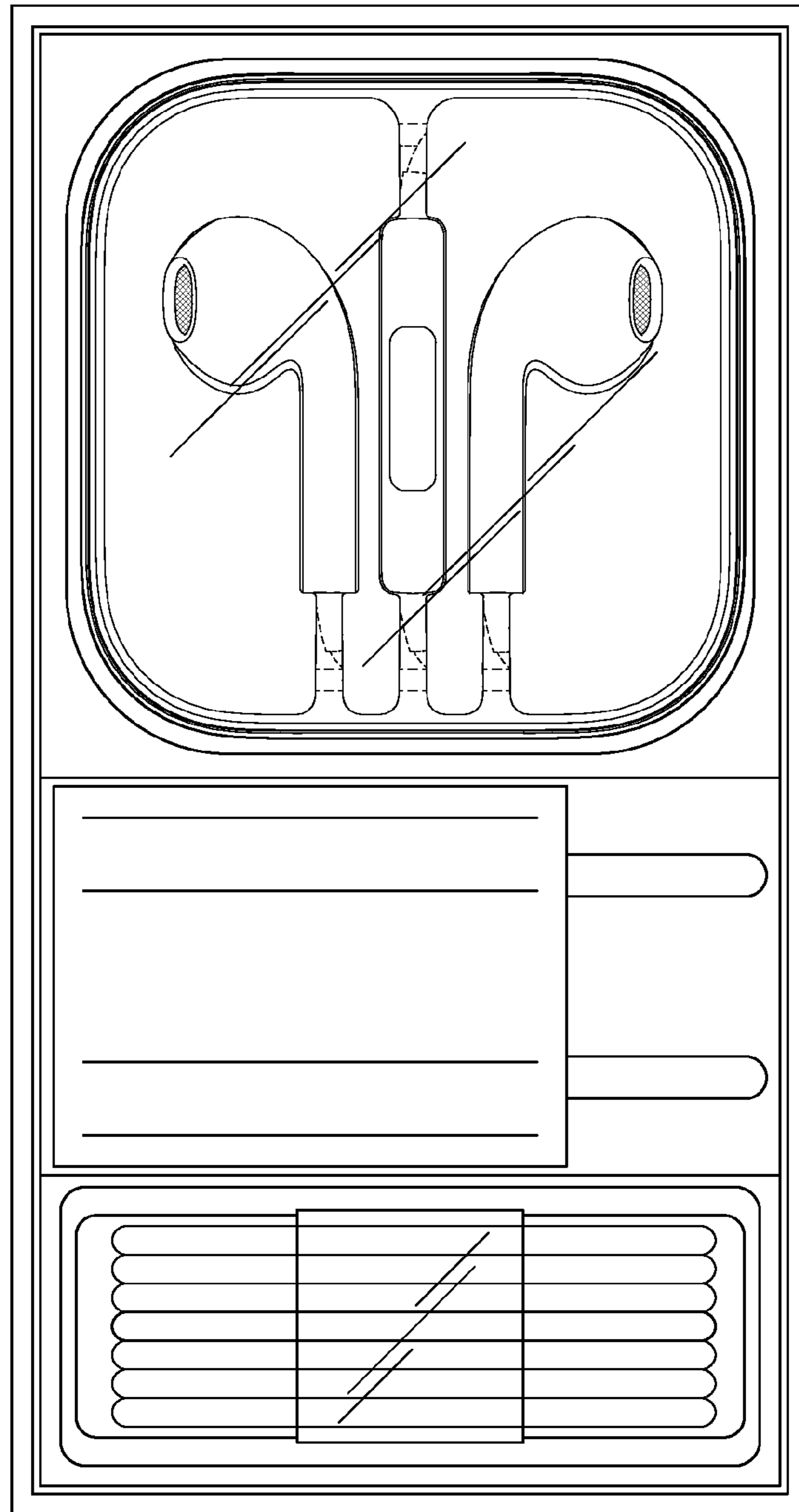


FIG. 2

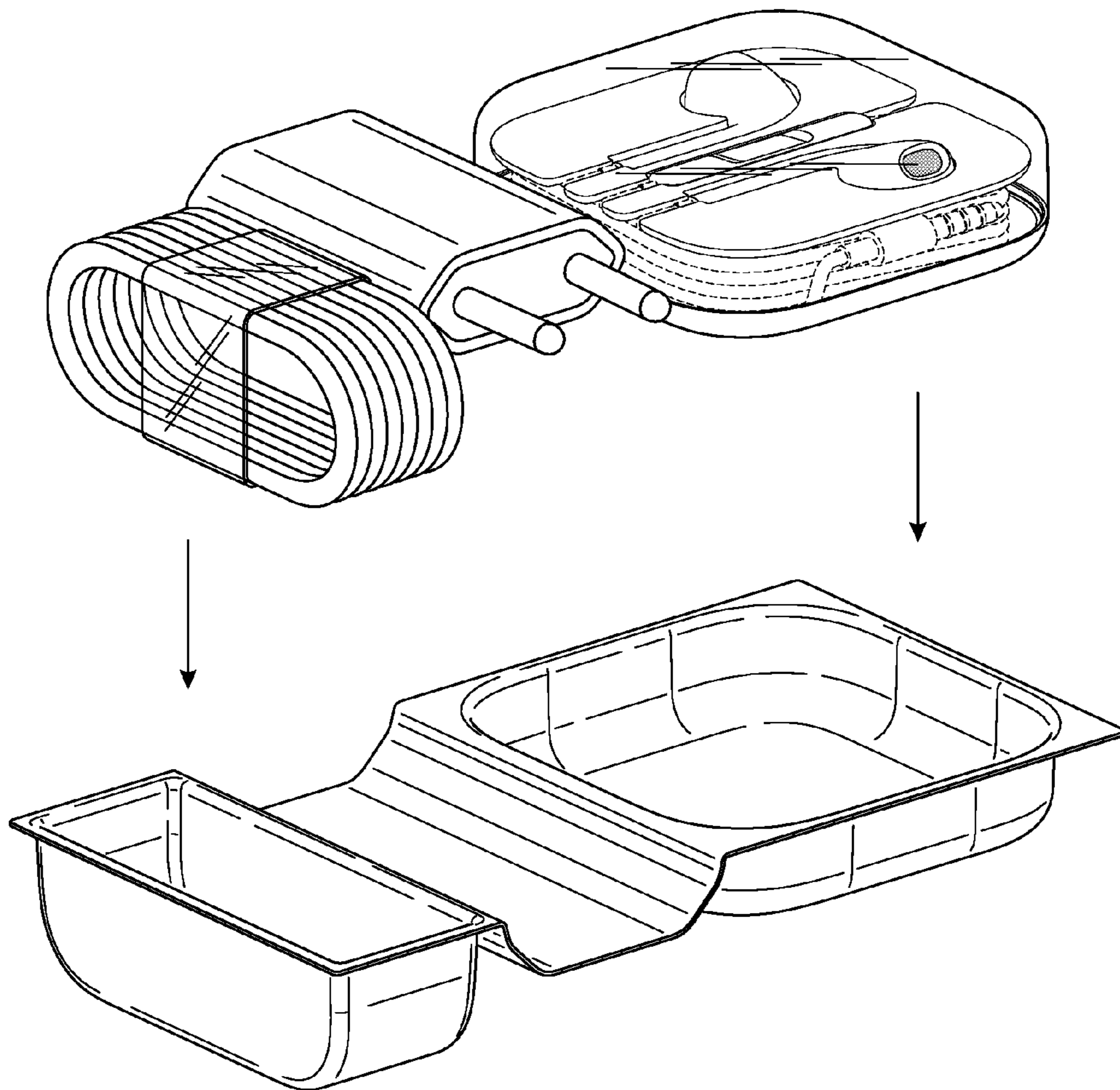


FIG. 3

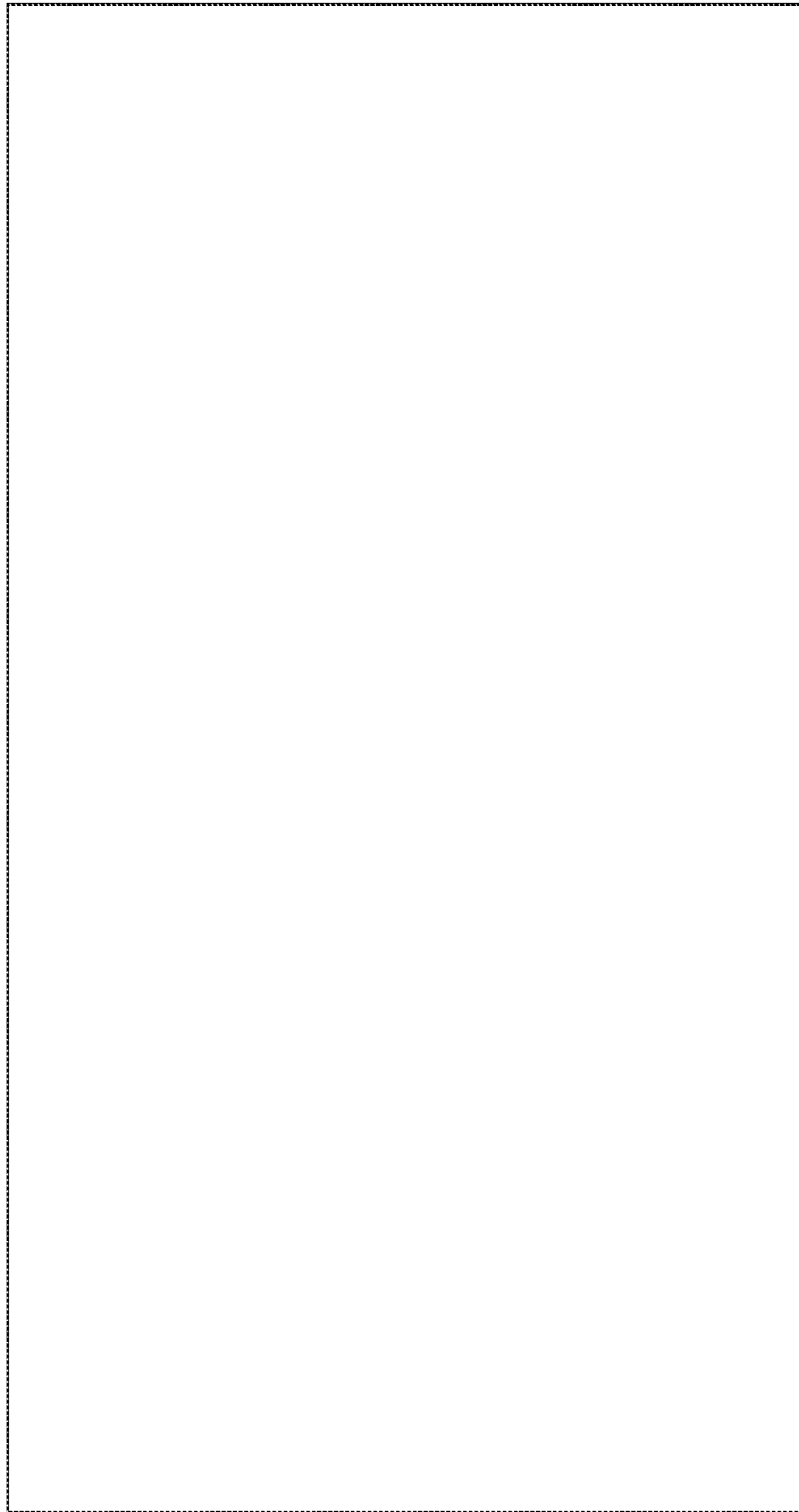


FIG. 4

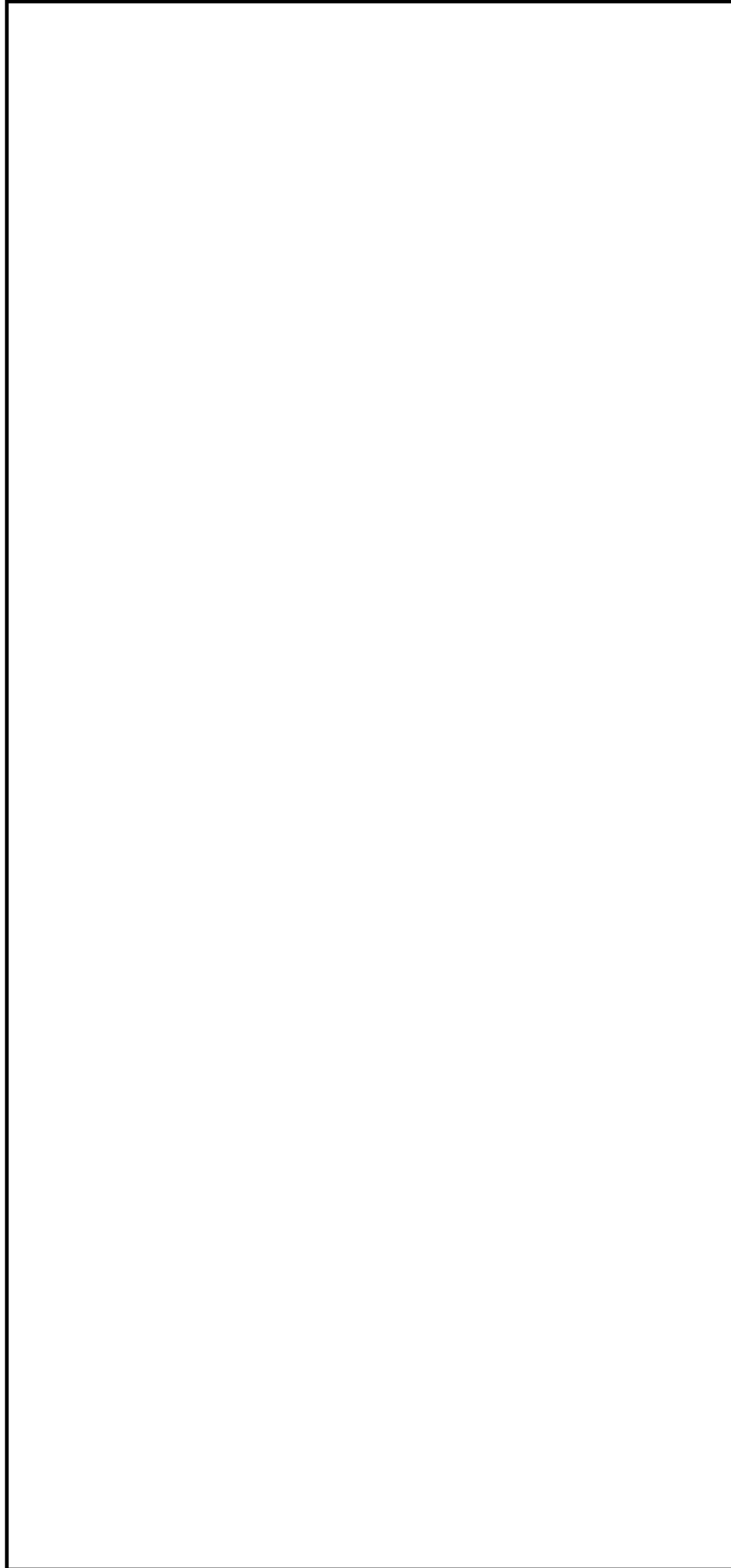


FIG. 5

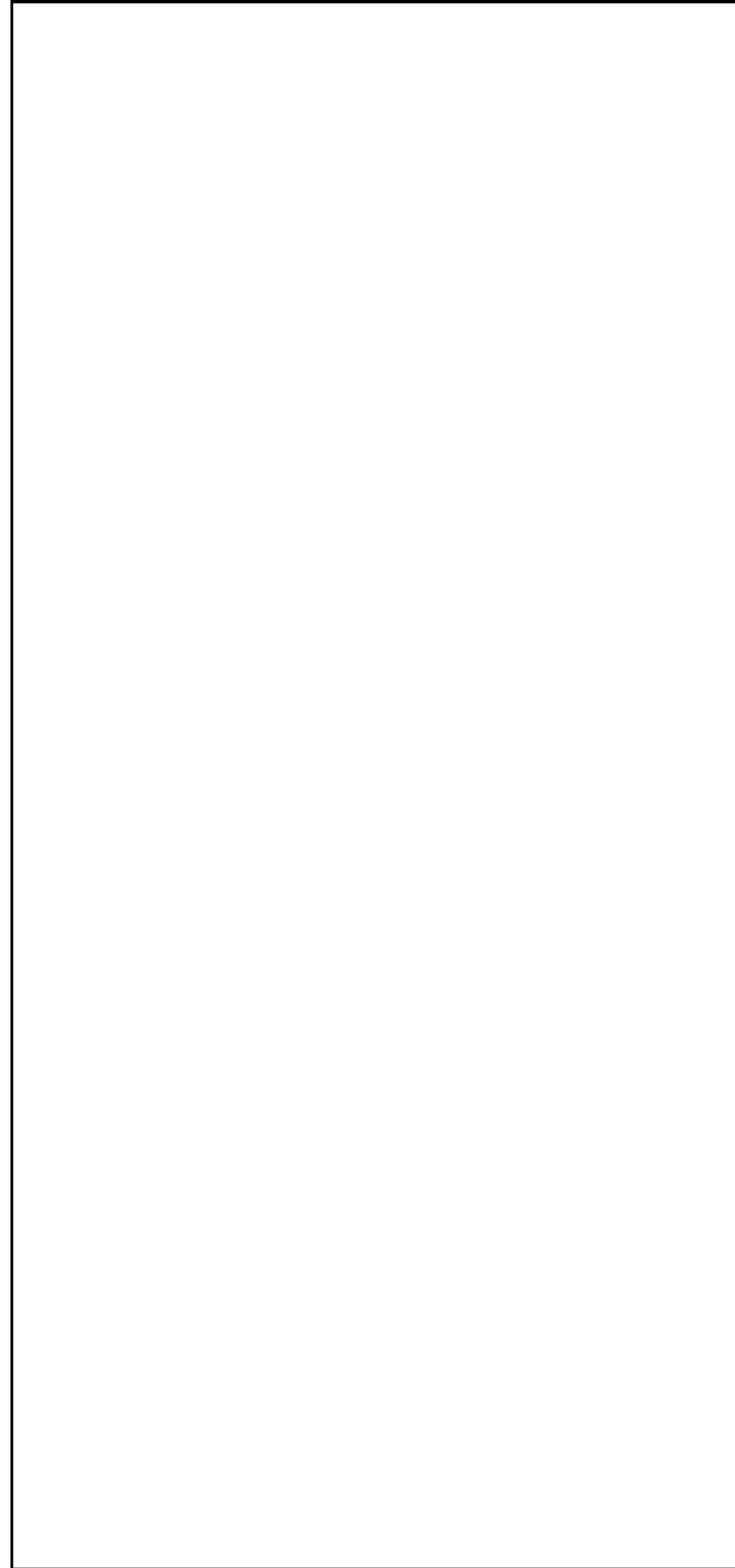


FIG. 6



FIG. 7



FIG. 8