



US00D713731S

(12) **United States Design Patent**
Schoelkopf et al.

(10) **Patent No.:** **US D713,731 S**

(45) **Date of Patent:** **** Sep. 23, 2014**

(54) **NOVELTY SLOT MACHINE BEVERAGE CONTAINER**

(56) **References Cited**

U.S. PATENT DOCUMENTS

(71) Applicants: **Ronald Lee Schoelkopf**, White Hall, MD (US); **Scott G. Strobel**, Plymouth, CT (US); **Evangelio M. Franco**, Bridgeport, CT (US)

D275,117 S *	8/1984	Heywood	D21/370
D371,168 S *	6/1996	Takemoto et al.	D21/370
D375,656 S *	11/1996	Wilson	D7/515
D488,061 S *	4/2004	Jacobson	D9/600
D549,595 S *	8/2007	Lowther et al.	D9/600
D567,587 S *	4/2008	Meiry	D7/515
D583,628 S *	12/2008	Meiry et al.	D7/599

(72) Inventors: **Ronald Lee Schoelkopf**, White Hall, MD (US); **Scott G. Strobel**, Plymouth, CT (US); **Evangelio M. Franco**, Bridgeport, CT (US)

* cited by examiner

Primary Examiner — Sandra Morris

(74) *Attorney, Agent, or Firm* — Meyertons, Hood, Kivlin, Kowert & Goetzel, P.C.; Eric B. Meyertons

(73) Assignee: **Progressive Specialty Glass**, Plainsville, CT (US)

(57) **CLAIM**

The ornamental design for a novelty slot machine beverage container, as shown and described.

(**) Term: **14 Years**

DESCRIPTION

(21) Appl. No.: **29/461,454**

FIG. 1 is a front left perspective view of a novelty slot machine beverage container.

(22) Filed: **Jul. 23, 2013**

FIG. 2 is a front view of a novelty slot machine beverage container.

(51) **LOC (10) Cl.** **09-01**

FIG. 3 is a rear view of a novelty slot machine beverage container.

(52) **U.S. Cl.**

FIG. 4 is a right view of a novelty slot machine beverage container.

USPC **D9/600**

FIG. 5 is a left view of a novelty slot machine beverage container.

(58) **Field of Classification Search**

USPC D9/600, 602-604, 652, 659, 516;
206/494, 457, 527, 540, 830; 215/400;
220/260, 890; 229/116.1, 116.2;
D7/514-517, 519, 619.2, 628;
D21/369-370

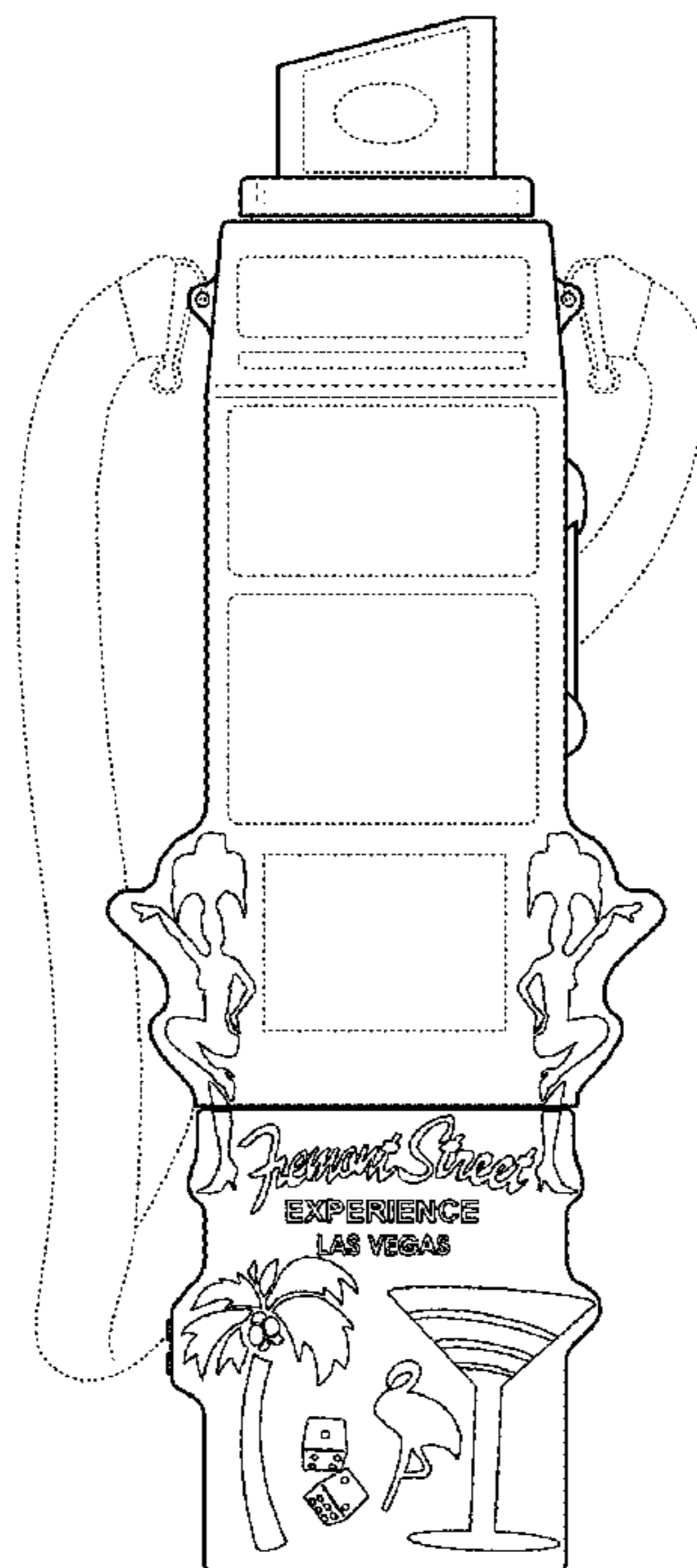
FIG. 6 is a top view of a novelty slot machine beverage container; and,

FIG. 7 is a bottom view of a novelty slot machine beverage container.

The broken lines in the drawings are for illustrative purposes only and form no part of the claimed design.

See application file for complete search history.

1 Claim, 4 Drawing Sheets



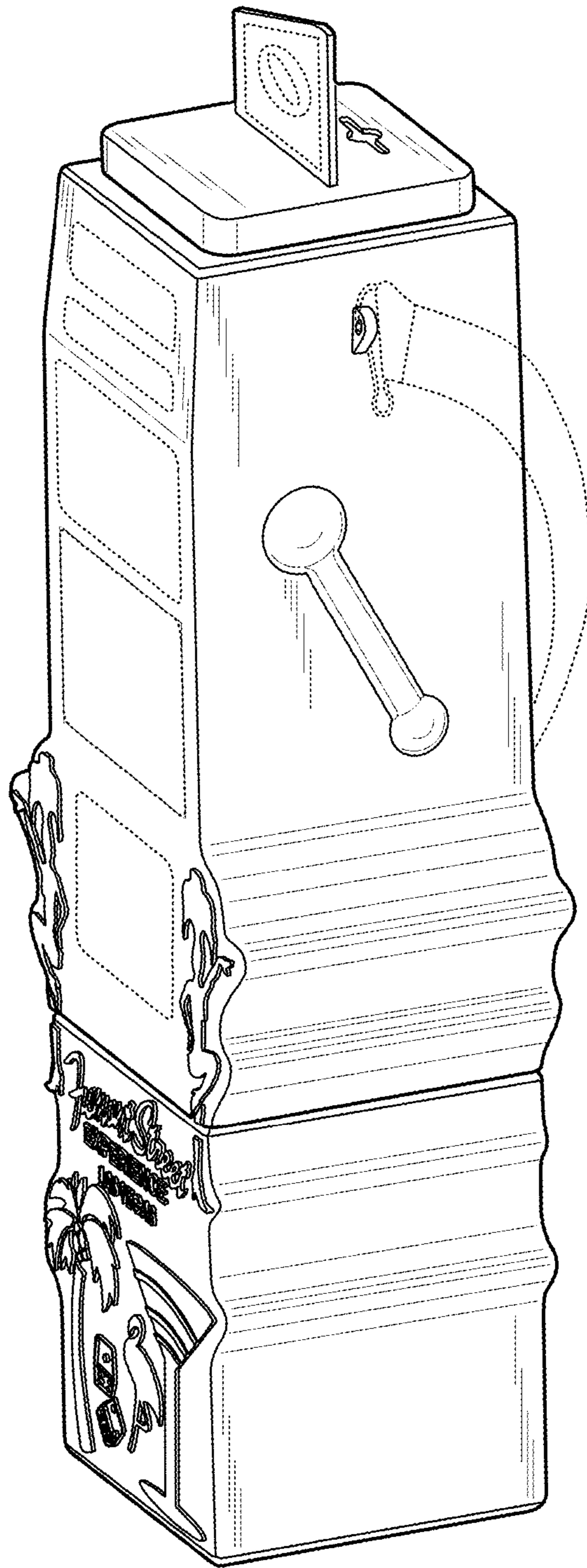


FIG. 1

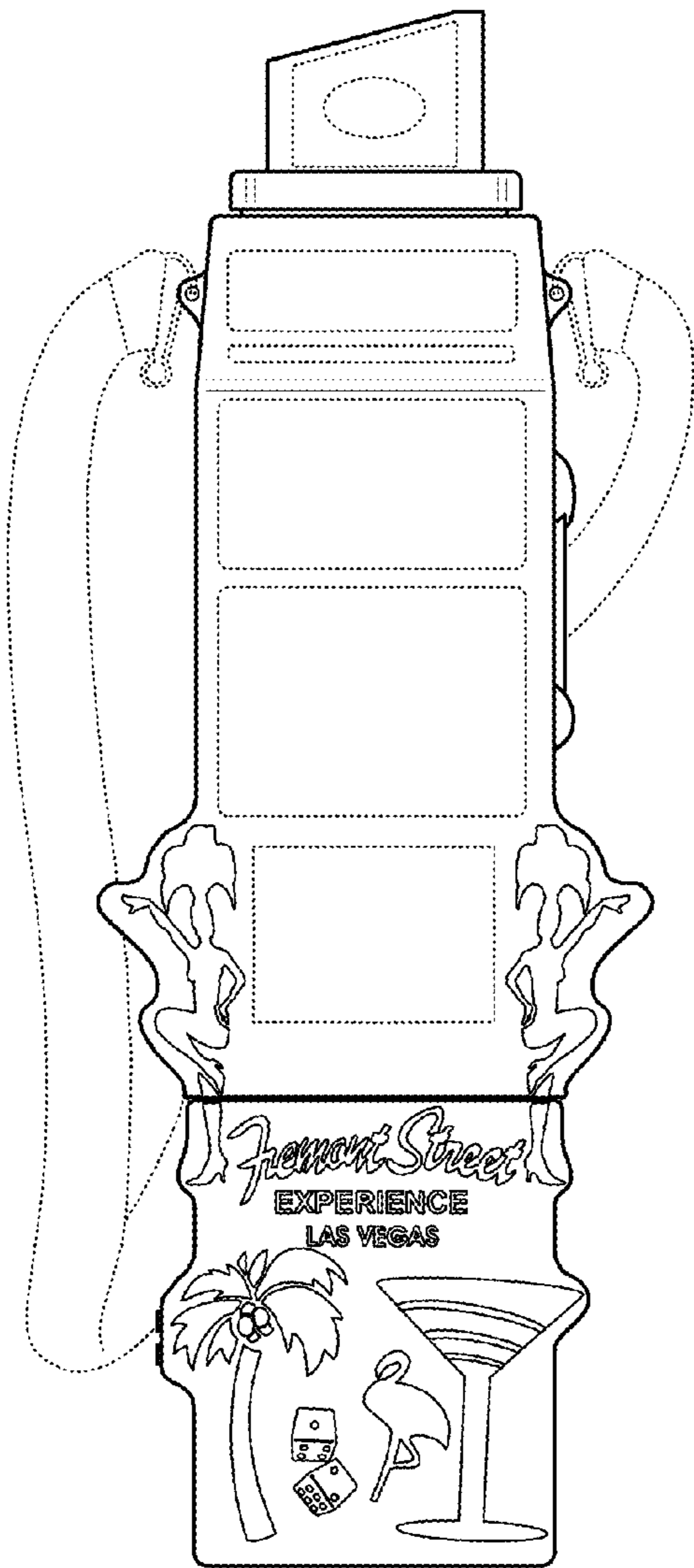


FIG. 2

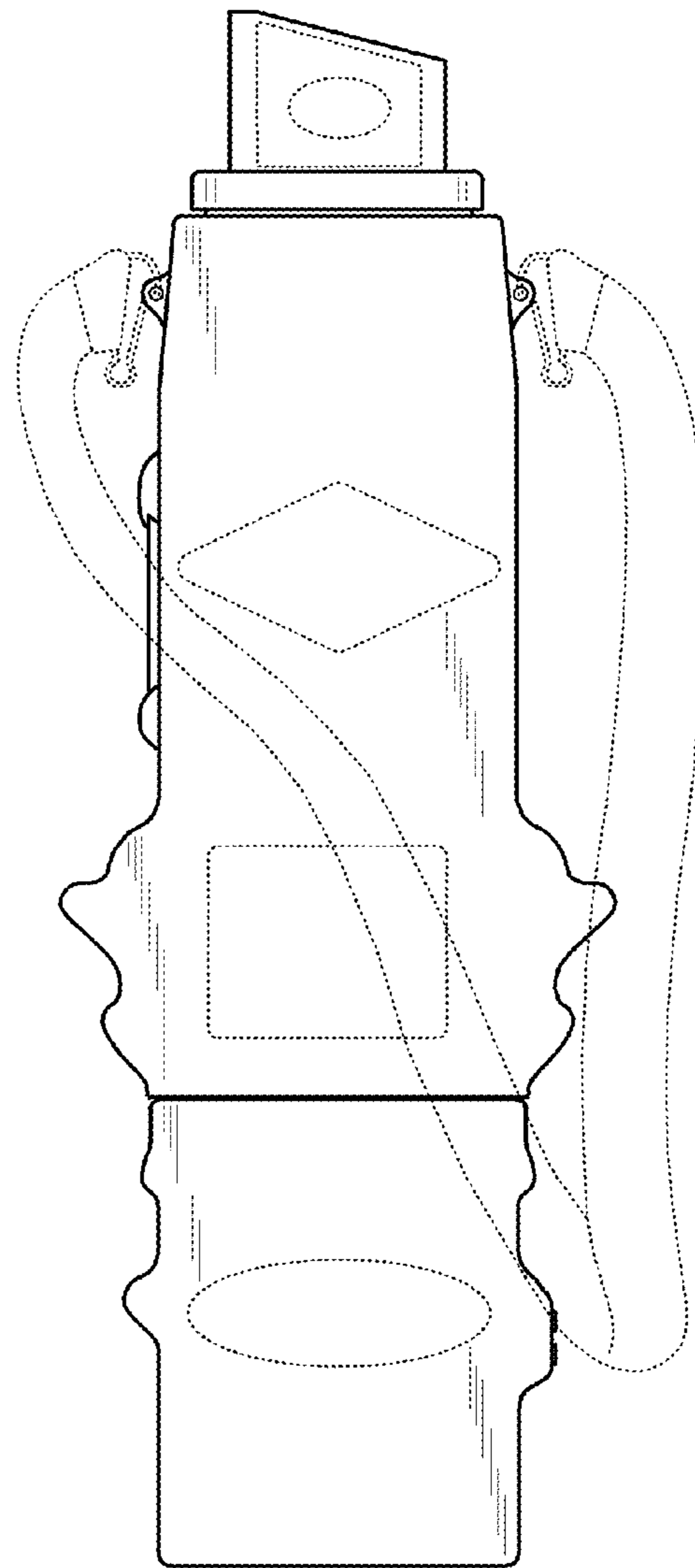


FIG. 3

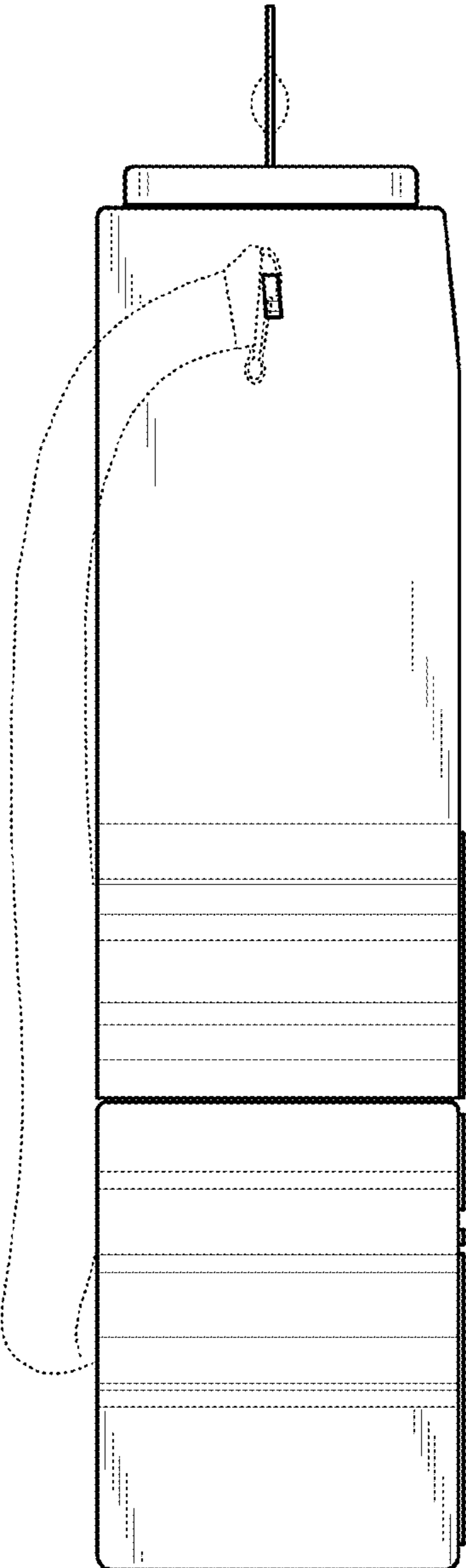


FIG. 4

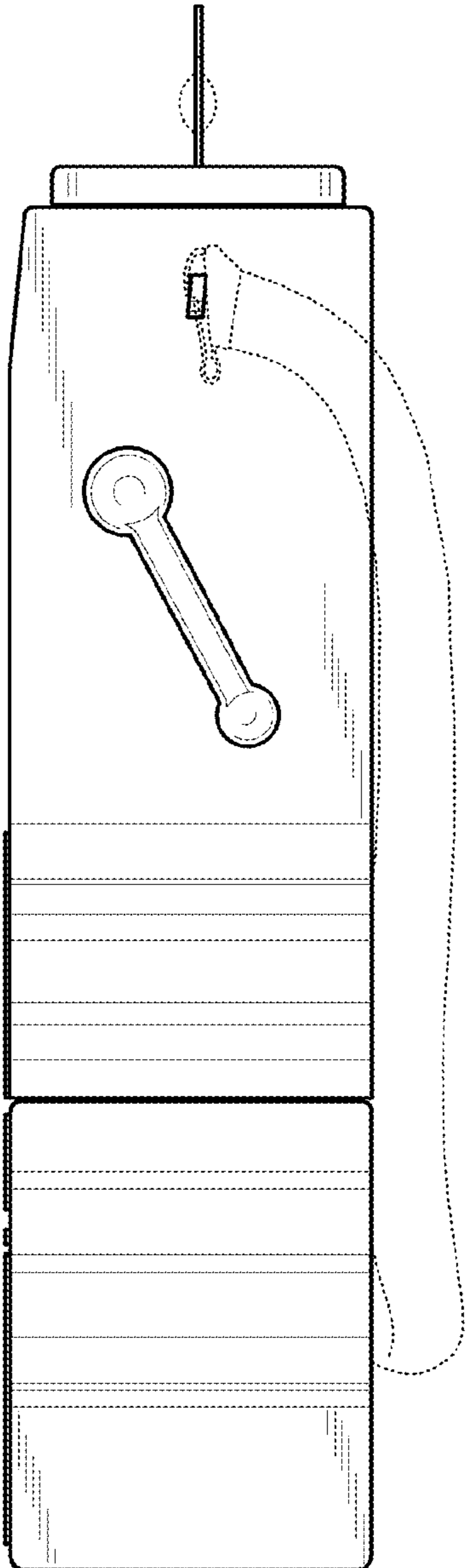


FIG. 5

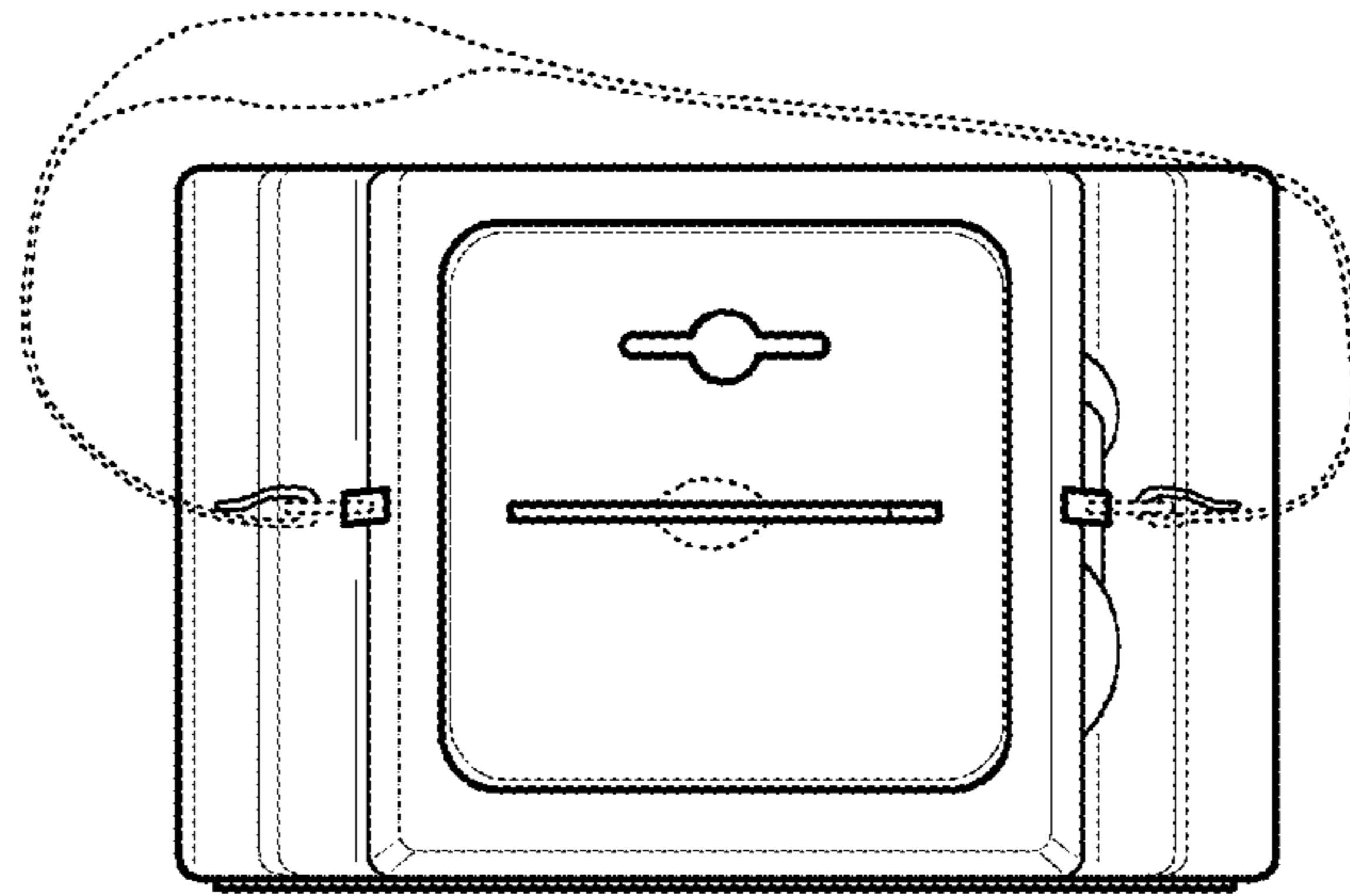


FIG. 6

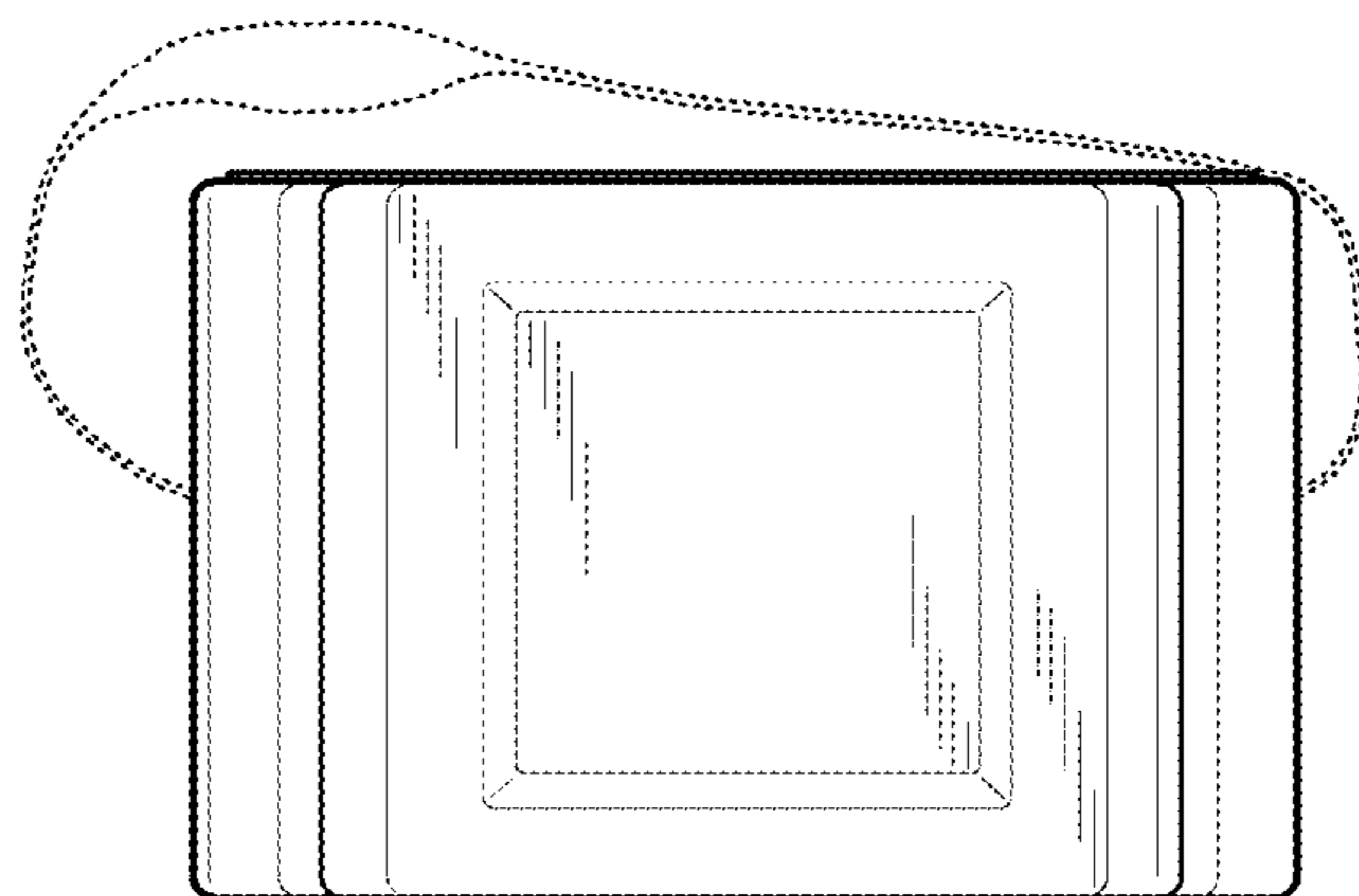


FIG. 7