



US00D713724S

(12) **United States Design Patent**
den Boer

(10) **Patent No.:** **US D713,724 S**

(45) **Date of Patent:** **** Sep. 23, 2014**

(54) **FLIP-TOP CAP**

(71) Applicant: **Plasticum Group B.V.**, Tilburg (NL)

(72) Inventor: **Sebastian Wilhelmus Josephus den Boer**, Twello (NL)

(73) Assignee: **Plasticum Group B.V.**, Tilburg (NL)

(**) Term: **14 Years**

(21) Appl. No.: **29/437,388**

(22) Filed: **Nov. 15, 2012**

(30) **Foreign Application Priority Data**

May 15, 2012 (EM) 002041863-0002

(51) **LOC (10) Cl.** **09-07**

(52) **U.S. Cl.**
USPC **D9/449**

(58) **Field of Classification Search**
CPC B65D 47/08
USPC D9/434, 435, 439, 440, 443, 446, 447,
D9/449, 453, 454, 417; D7/396.2, 392.1;
215/235, 236, 306; 220/254.2–254.5,
220/259.2, 263, 283, 715, 837; 222/212,
222/484, 556

See application file for complete search history.

(56) **References Cited**

U.S. PATENT DOCUMENTS

D231,968	S	*	7/1974	Juhlin	D7/538
4,487,324	A	*	12/1984	Ostrowsky	215/253
4,863,048	A	*	9/1989	Iizuka et al.	215/235
6,866,164	B2	*	3/2005	Branson et al.	222/153.14
D547,652	S	*	7/2007	Kerman et al.	D9/438
D570,689	S	*	6/2008	Chang	D9/504
D623,060	S	*	9/2010	Hassamanci	D9/449
D681,458	S	*	5/2013	Santarelli	D9/449
2003/0201283	A1	*	10/2003	Branson et al.	222/153.14
2006/0186078	A1	*	8/2006	Ziegenhorn	215/237

* cited by examiner

Primary Examiner — Robert M Spear
(74) *Attorney, Agent, or Firm* — Schroeder Law PC

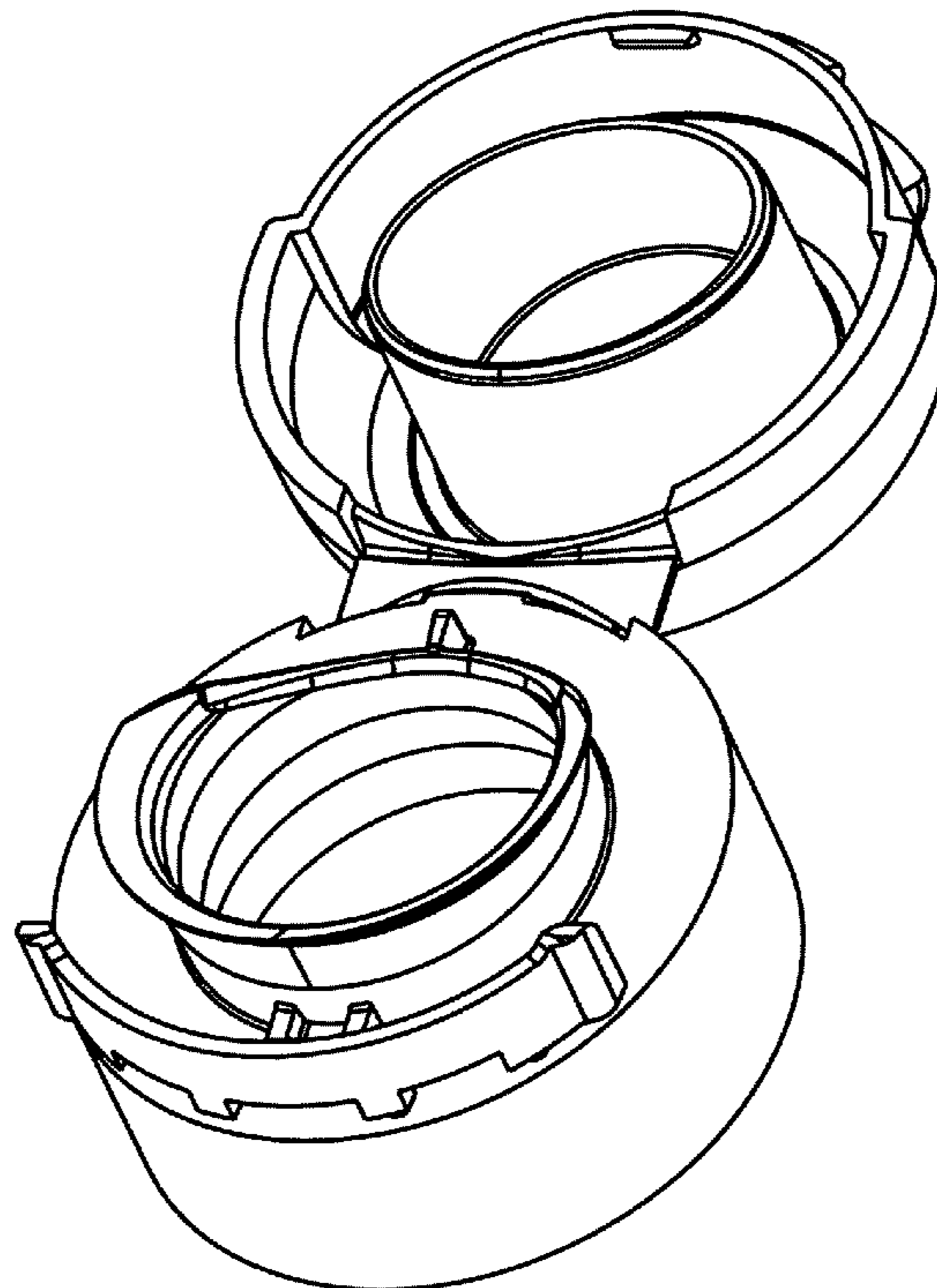
(57) **CLAIM**

The ornamental design for a flip-top cap, as shown and described.

DESCRIPTION

FIG. 1 is a perspective view of a flip-top cap incorporating my new design, shown in an open position;
FIG. 2 is a top view thereof;
FIG. 3 is a bottom view thereof;
FIG. 4 is a side elevation view thereof;
FIG. 5 is a perspective view of the flip-top cap incorporating my new design, shown in the closed position;
FIG. 6 is a front elevation view thereof; and,
FIG. 7 is a rear elevation view thereof.
The broken lines in the drawings represent unclaimed environmental subject matter and form no part of the claim.

1 Claim, 7 Drawing Sheets



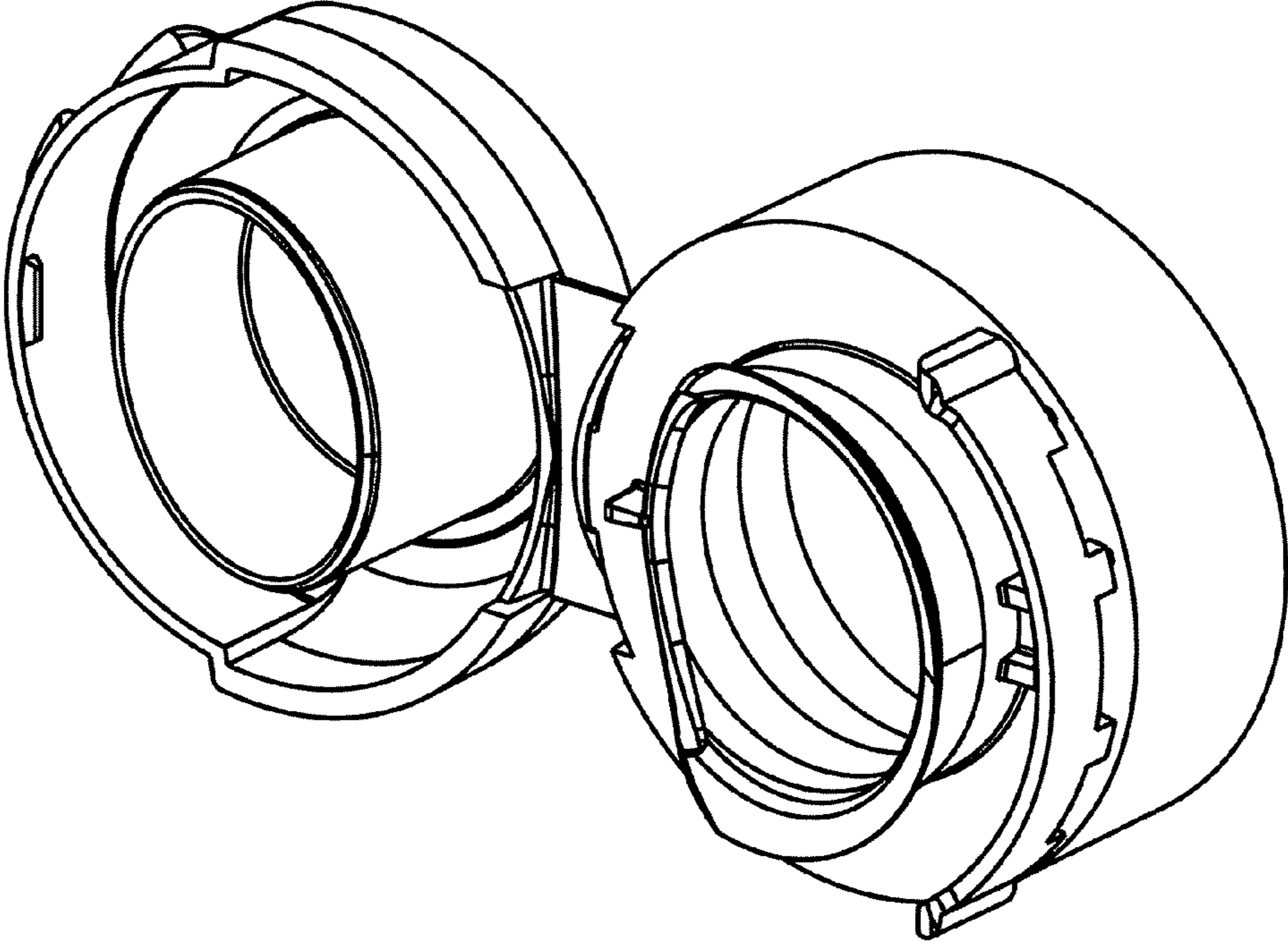


FIG. 1

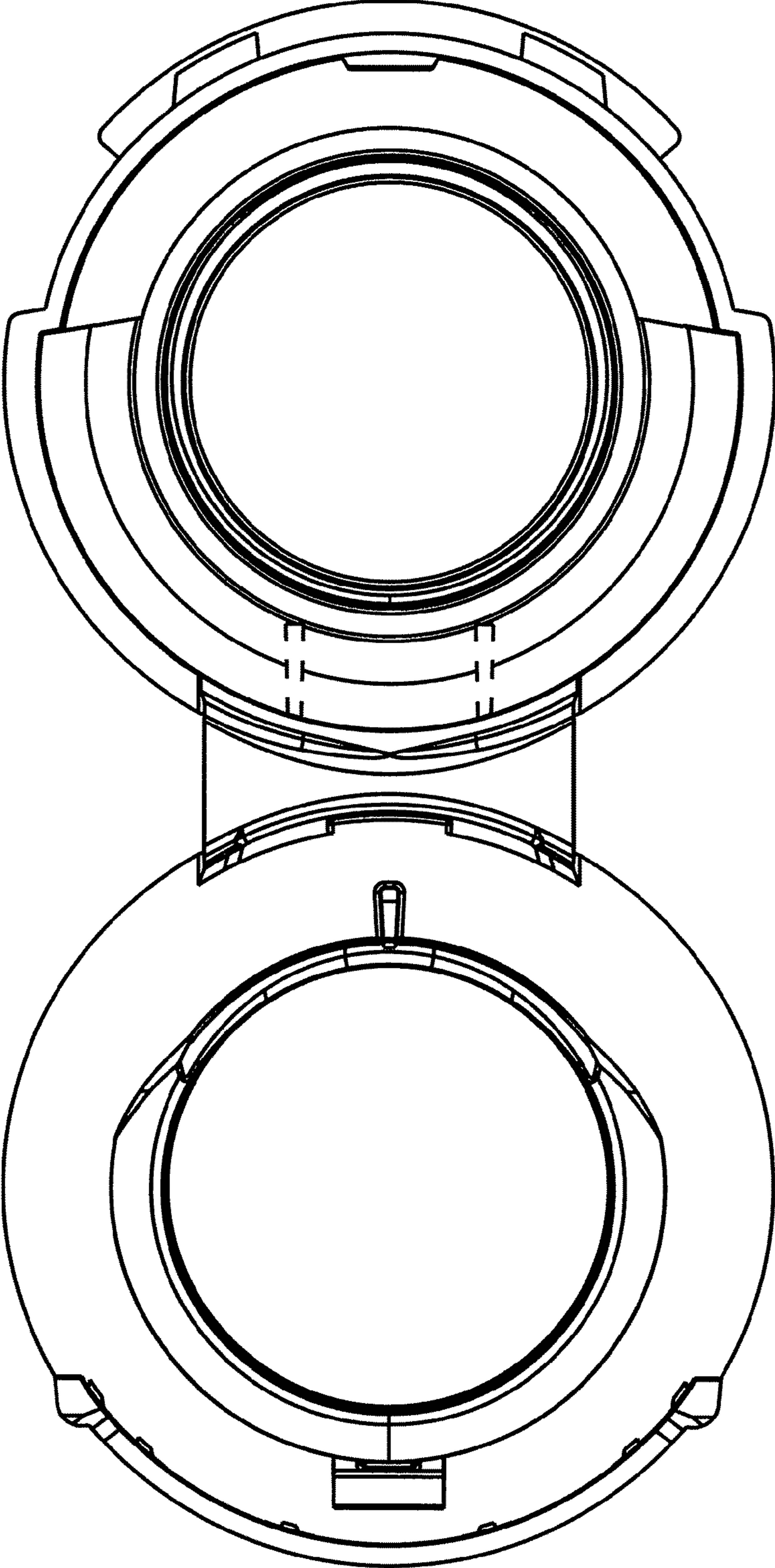


FIG. 2

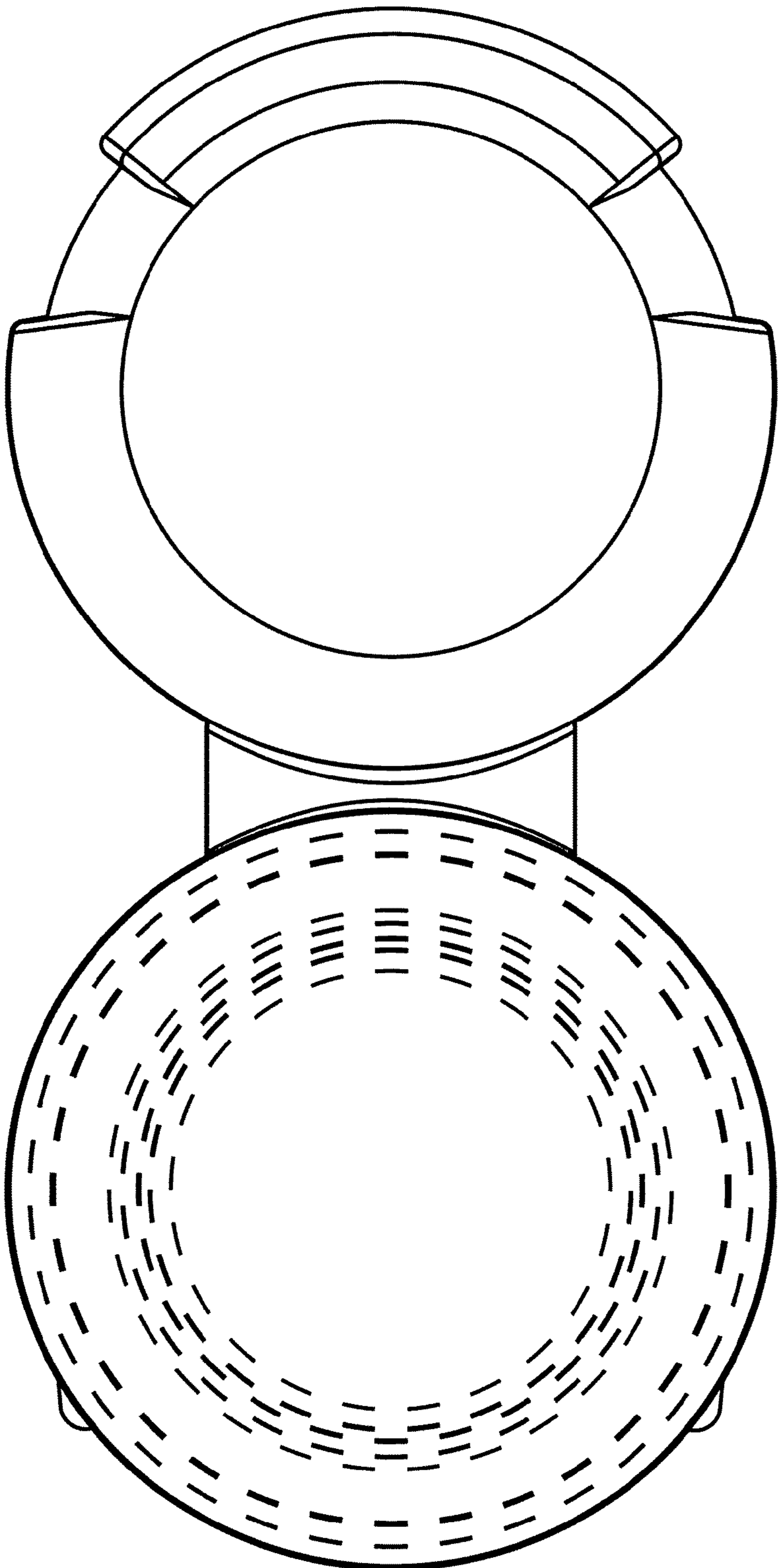


FIG. 3

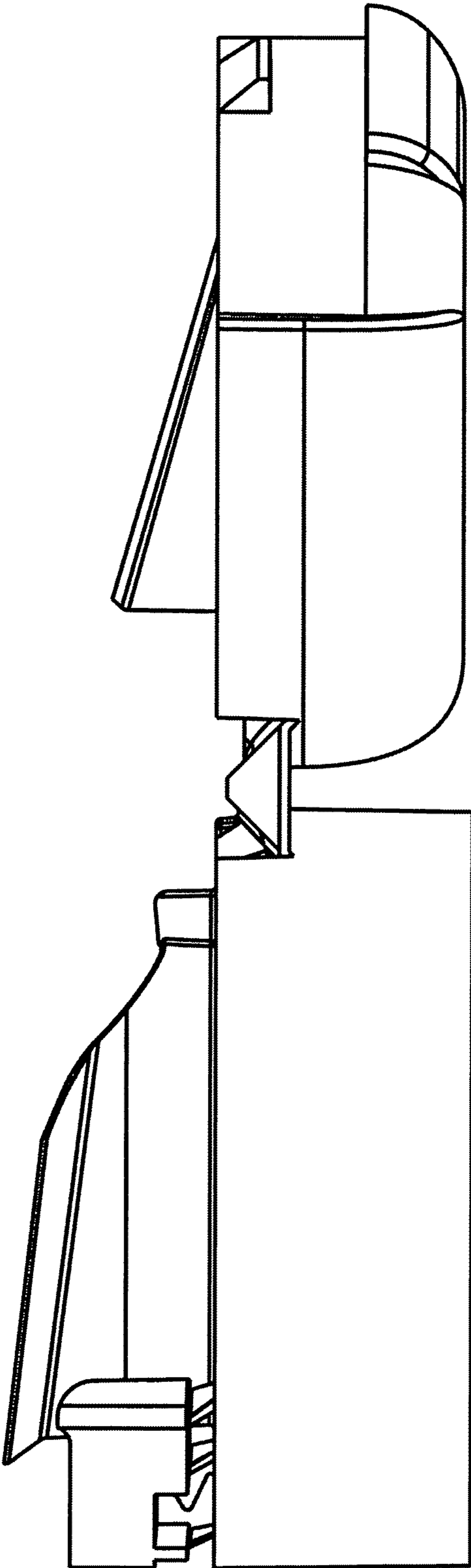


FIG. 4

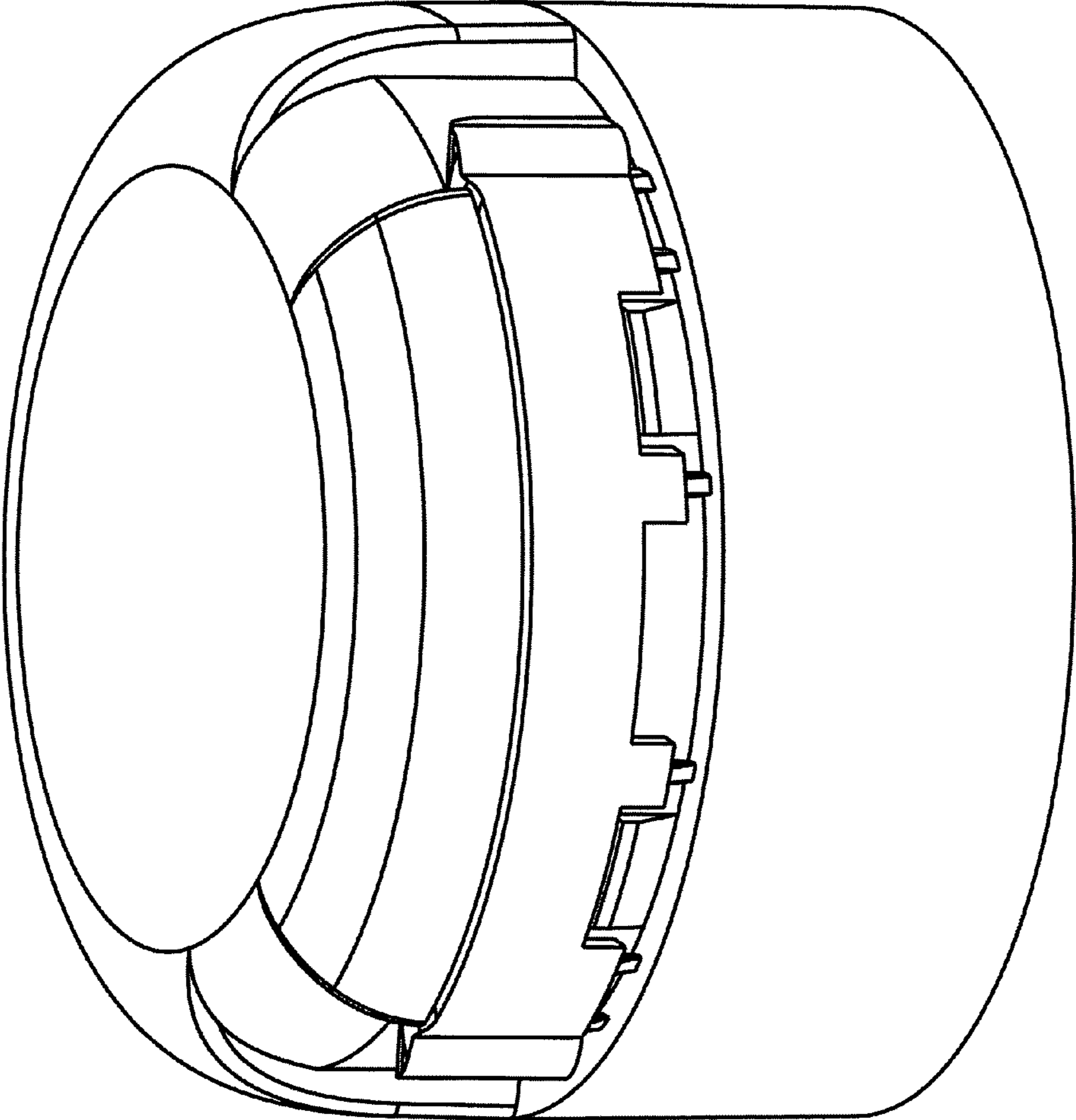


FIG. 5

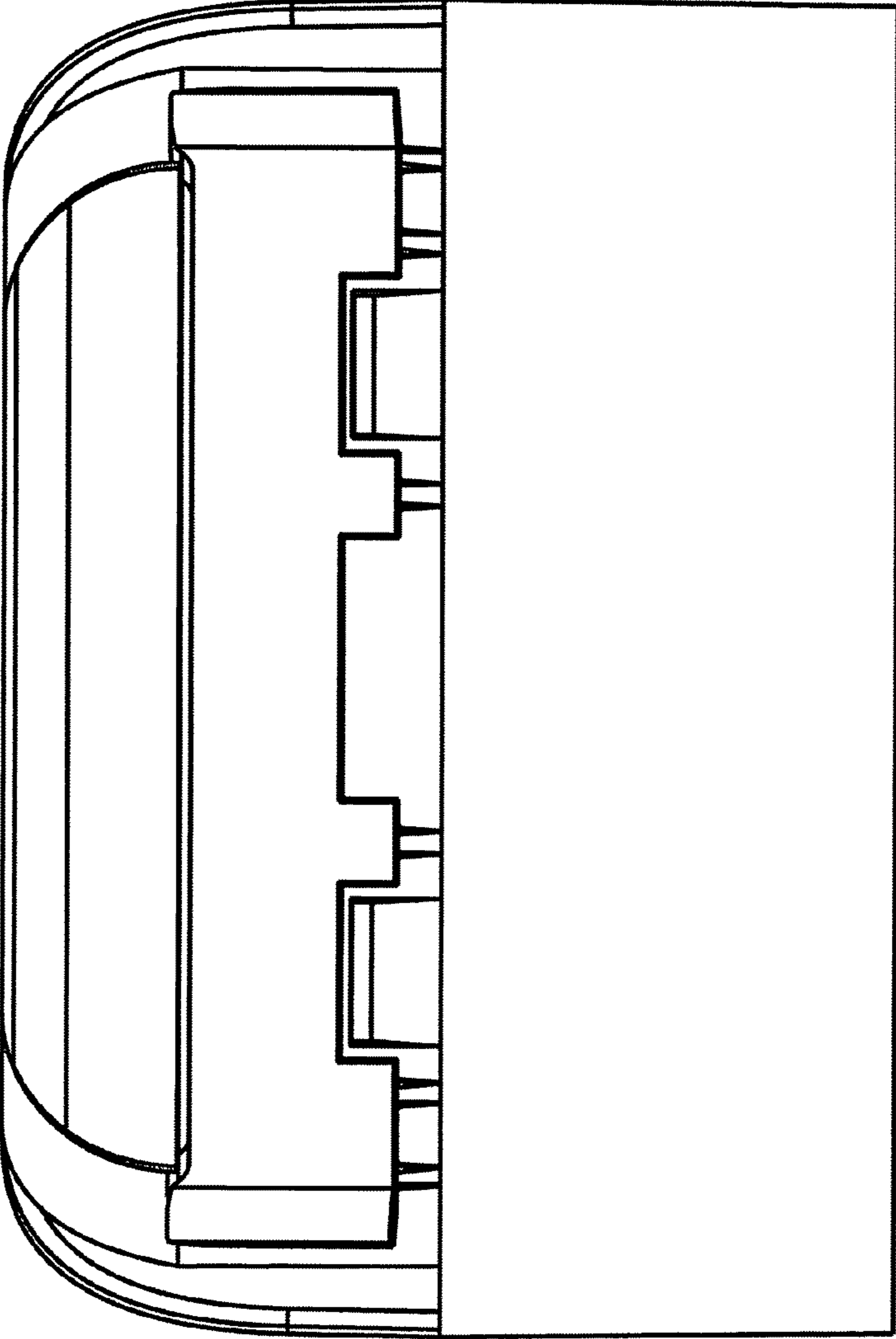


FIG. 6

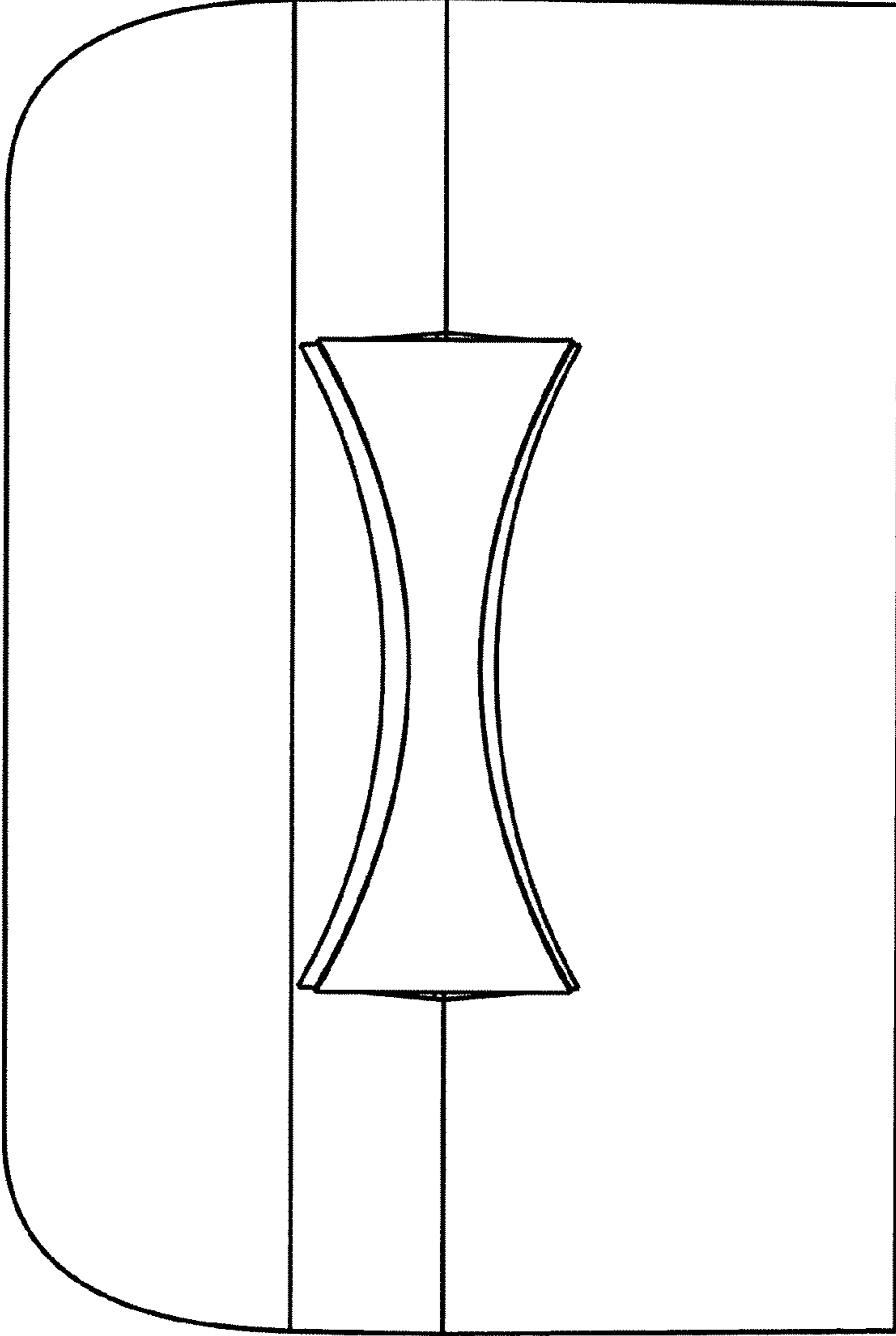


FIG. 7