



US00D713723S

(12) **United States Design Patent**
den Boer

(10) **Patent No.:** **US D713,723 S**

(45) **Date of Patent:** **** Sep. 23, 2014**

(54) **FLIP-TOP CAP**

(71) Applicant: **Plasticum Group B.V.**, Tilburg (NL)

(72) Inventor: **Sebastiaan Wilhelmus Josephus den Boer**, Twello (NL)

(73) Assignee: **Plasticum Group B.V.**, Tilburg (NL)

(**) Term: **14 Years**

(21) Appl. No.: **29/437,386**

(22) Filed: **Nov. 15, 2012**

(30) **Foreign Application Priority Data**

May 15, 2012 (EM) 002041863-0001

(51) **LOC (10) Cl.** **09-07**

(52) **U.S. Cl.**
USPC **D9/449**

(58) **Field of Classification Search**

CPC B65D 47/08

USPC D9/434, 435, 439, 440, 443, 446, 447,

D9/449, 453, 454, 417; D7/396.2, 392.1;

215/235, 236, 306; 220/254.2-254.5,

220/259.2, 263, 283, 715, 837; 222/212,

222/484, 556

See application file for complete search history.

(56) **References Cited**

U.S. PATENT DOCUMENTS

5,145,080 A * 9/1992 Imbery, Jr. 215/331

D350,691 S * 9/1994 Simion D9/695

5,361,920 A *	11/1994	Nozawa et al.	215/237
D356,026 S *	3/1995	Iaia et al.	D9/697
5,423,442 A *	6/1995	Nozawa et al.	215/235
D455,077 S *	4/2002	Gaiser et al.	D9/449
D471,462 S *	3/2003	May et al.	D9/529
D504,613 S *	5/2005	Lovell	D9/449
D536,974 S *	2/2007	Smith et al.	D9/449
D536,975 S *	2/2007	Smith et al.	D9/449
D541,154 S *	4/2007	Moribata et al.	D9/449
D661,583 S *	6/2012	Santarelli et al.	D9/449
D681,458 S *	5/2013	Santarelli	D9/449
2003/0116879 A1 *	6/2003	Mueller et al.	264/142
2004/0016714 A1 *	1/2004	Wood et al.	215/235
2004/0169307 A1 *	9/2004	Mueller et al.	264/142

* cited by examiner

Primary Examiner — Robert M Spear

(74) *Attorney, Agent, or Firm* — Schroeder Law PC

(57) **CLAIM**

The ornamental design for a flip-top cap, as shown and described.

DESCRIPTION

FIG. 1 is a perspective view of a flip-top cap incorporating my new design, shown in an open position;

FIG. 2 is a top view thereof;

FIG. 3 is a bottom view thereof;

FIG. 4 is a side elevation view thereof;

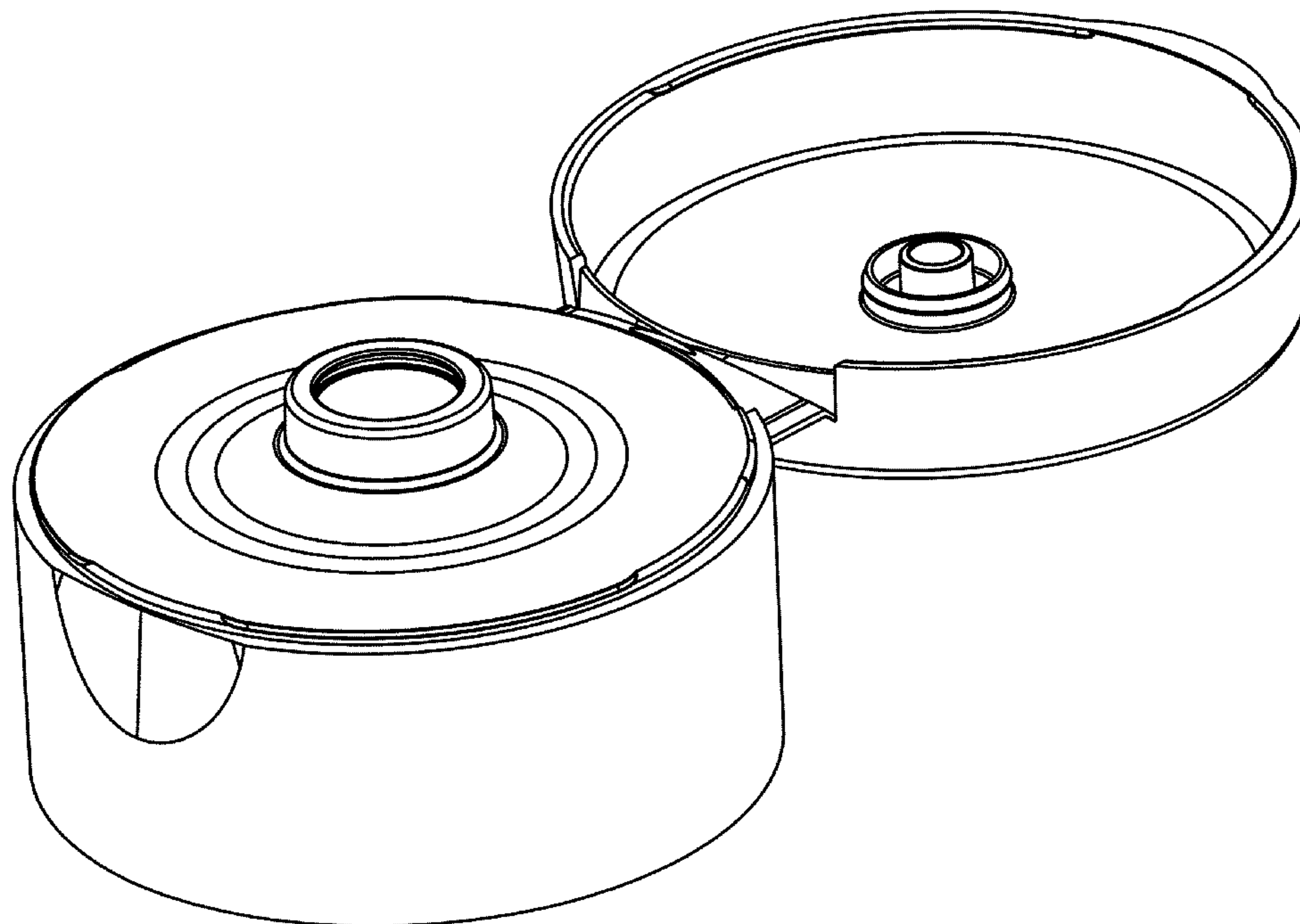
FIG. 5 is a perspective view of the flip-top cap incorporating my new design, shown in the closed position;

FIG. 6 is a front elevation view thereof; and,

FIG. 7 is a rear elevation view thereof.

The broken lines in the drawings represent unclaimed environmental subject matter and form no part of the claim.

1 Claim, 7 Drawing Sheets



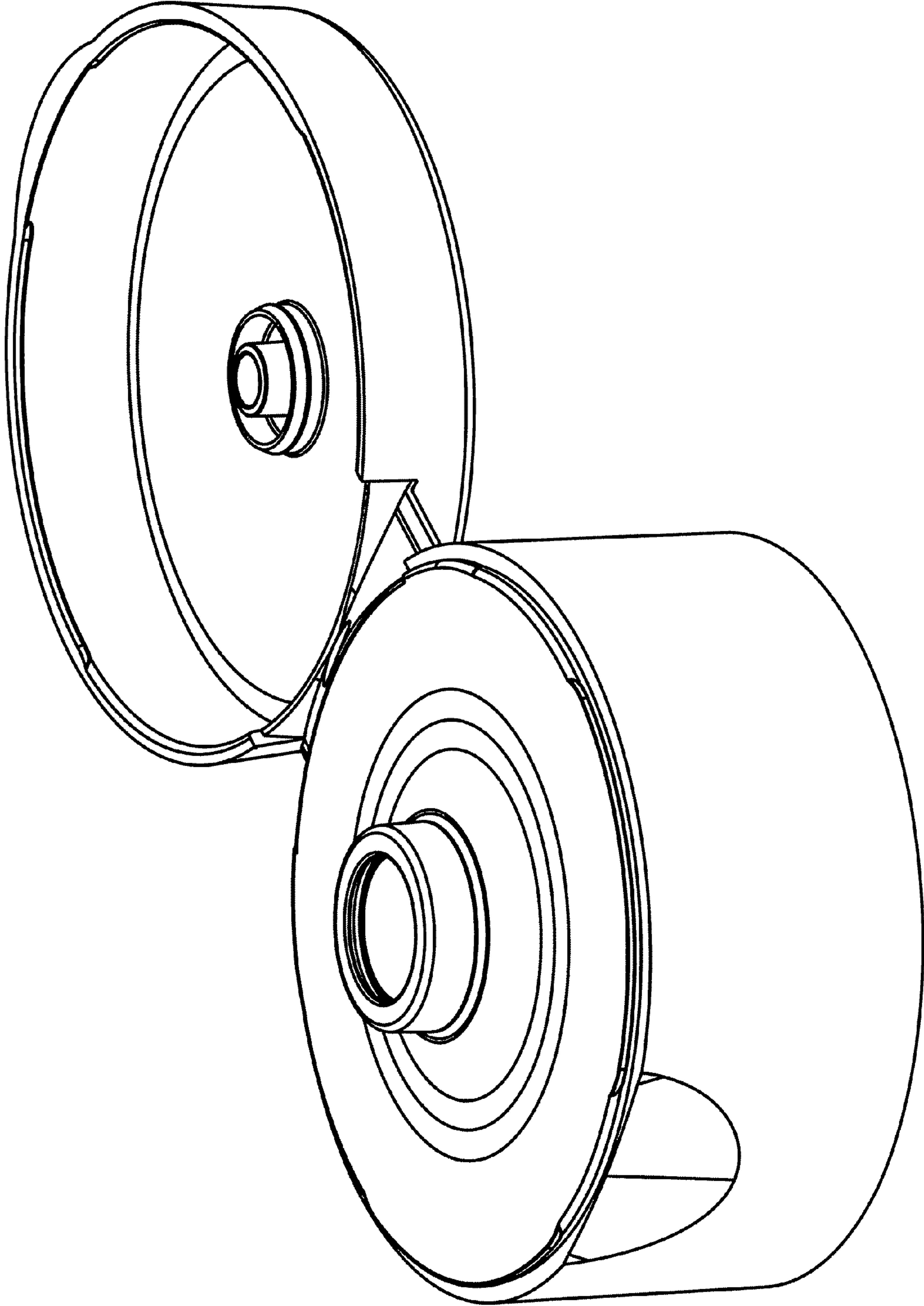


FIG. 1

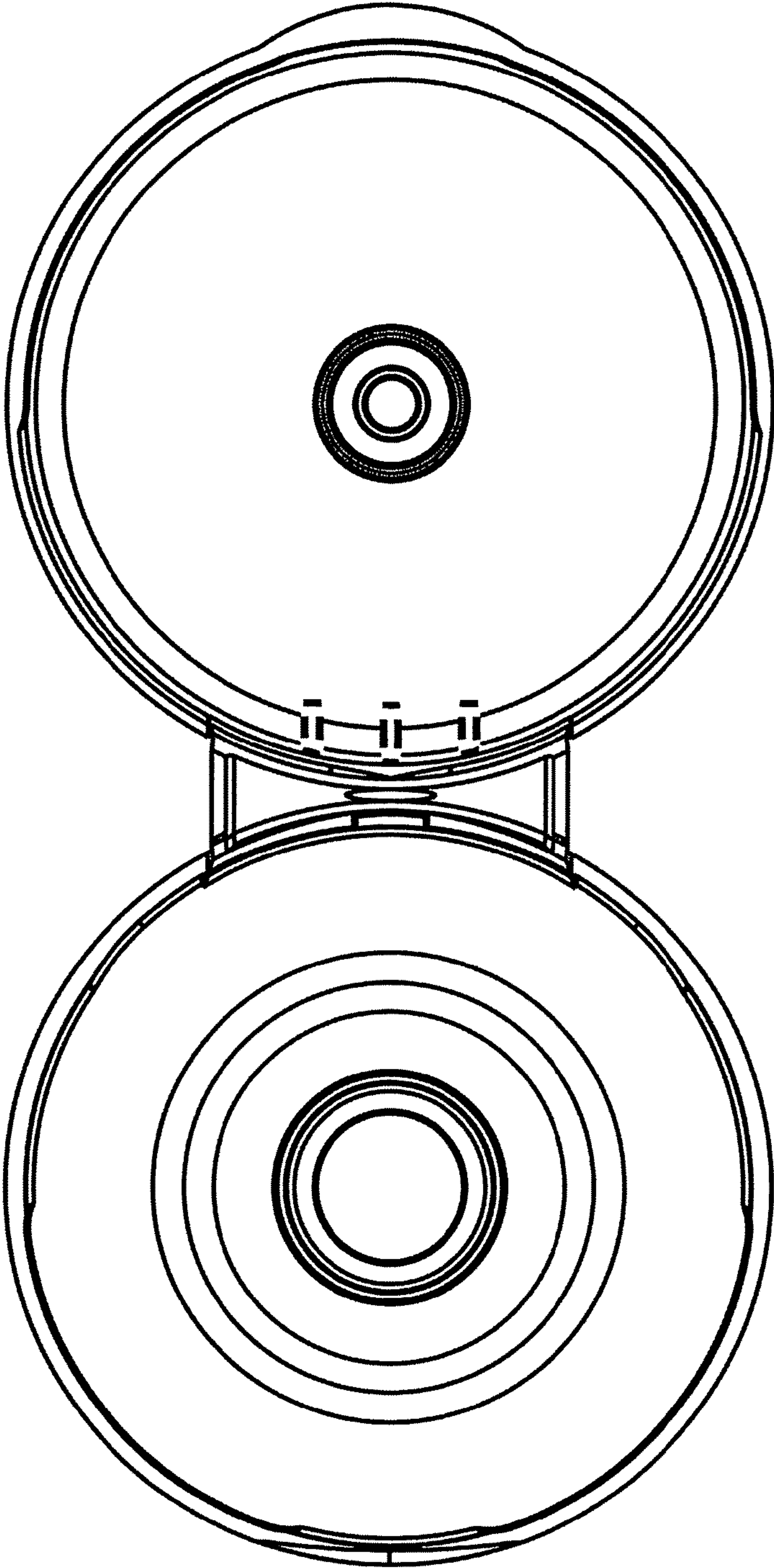


FIG. 2

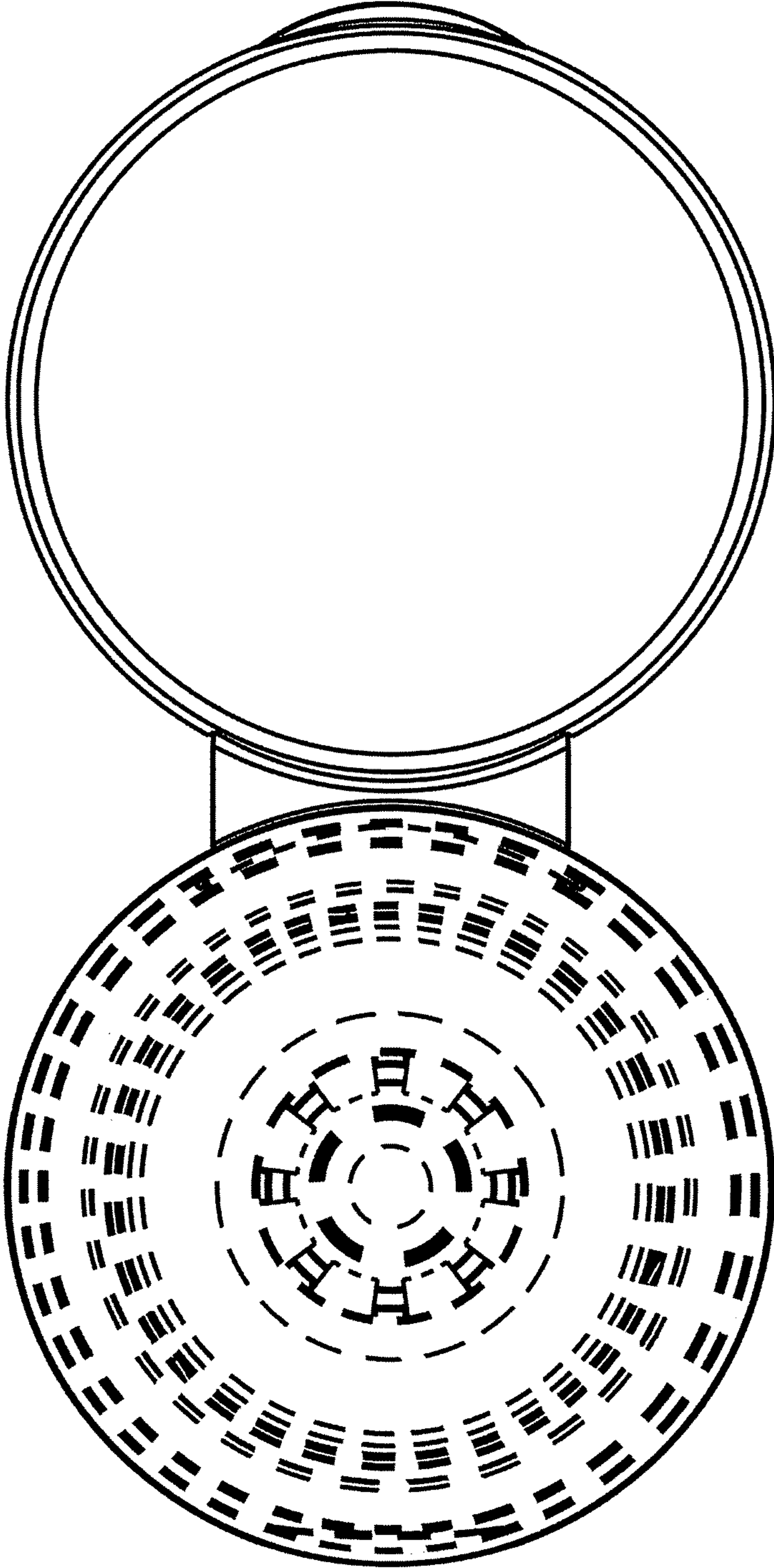


FIG. 3

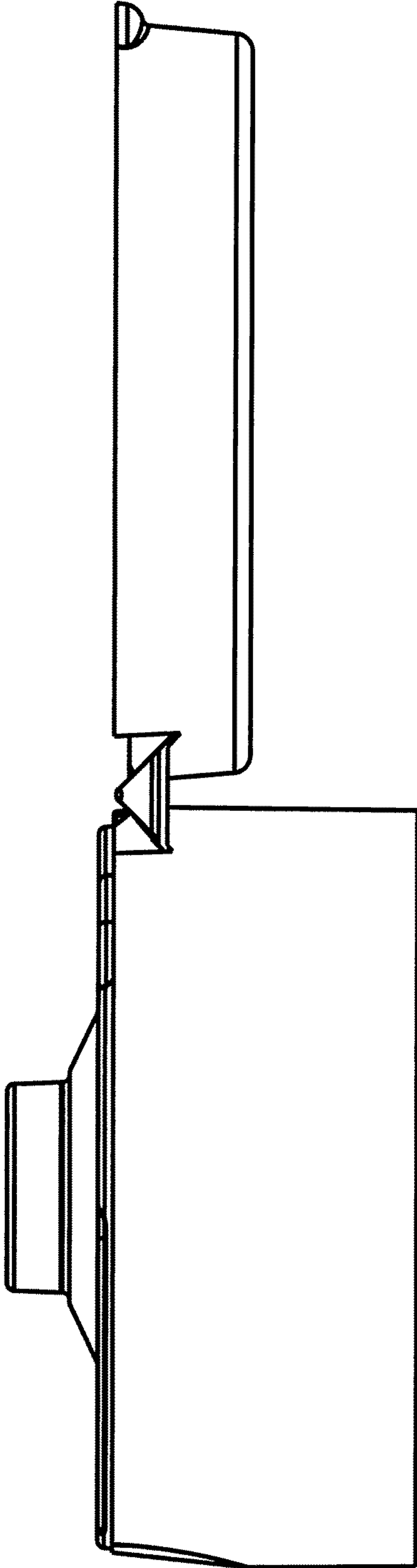


FIG. 4

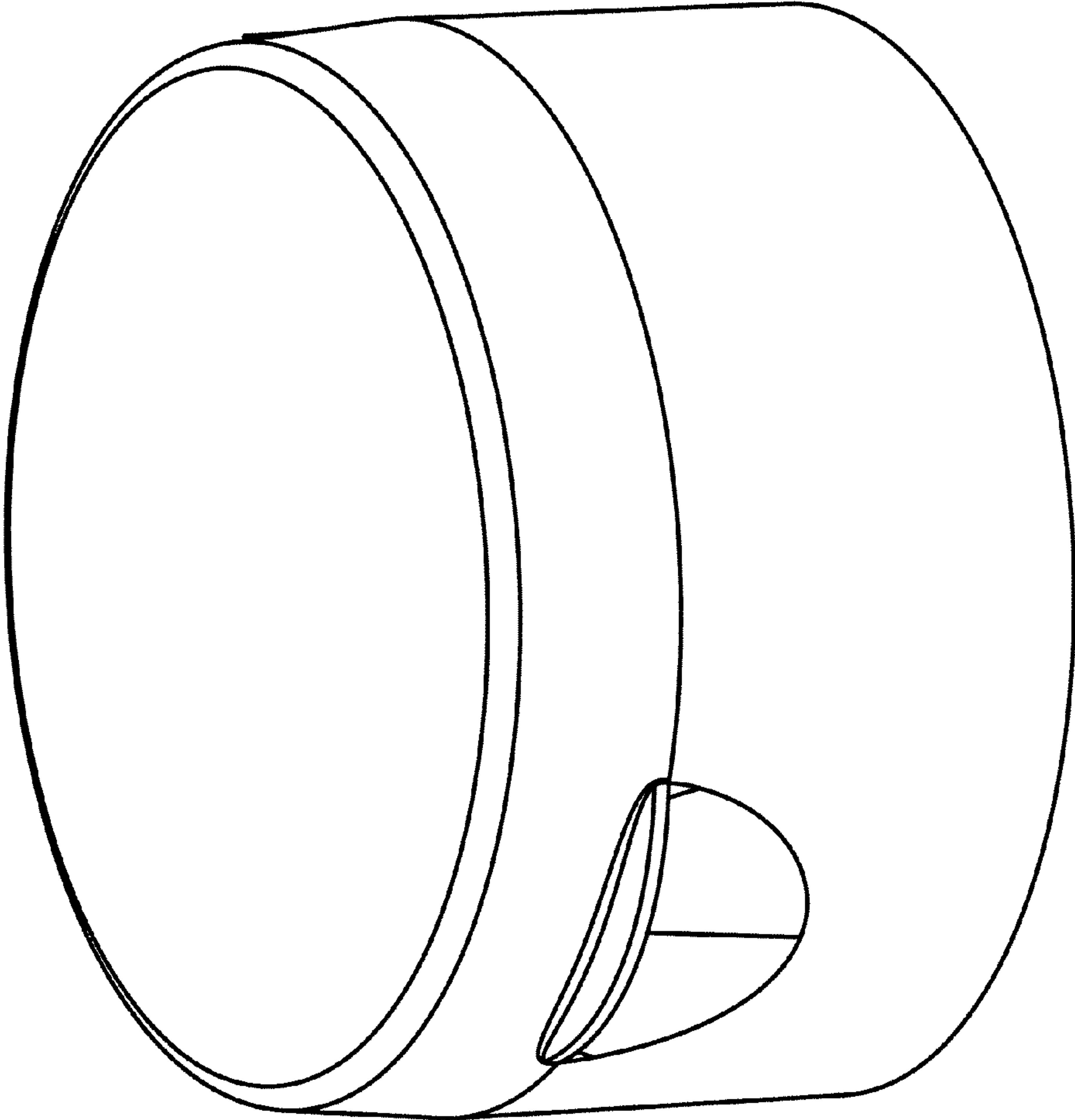


FIG. 5

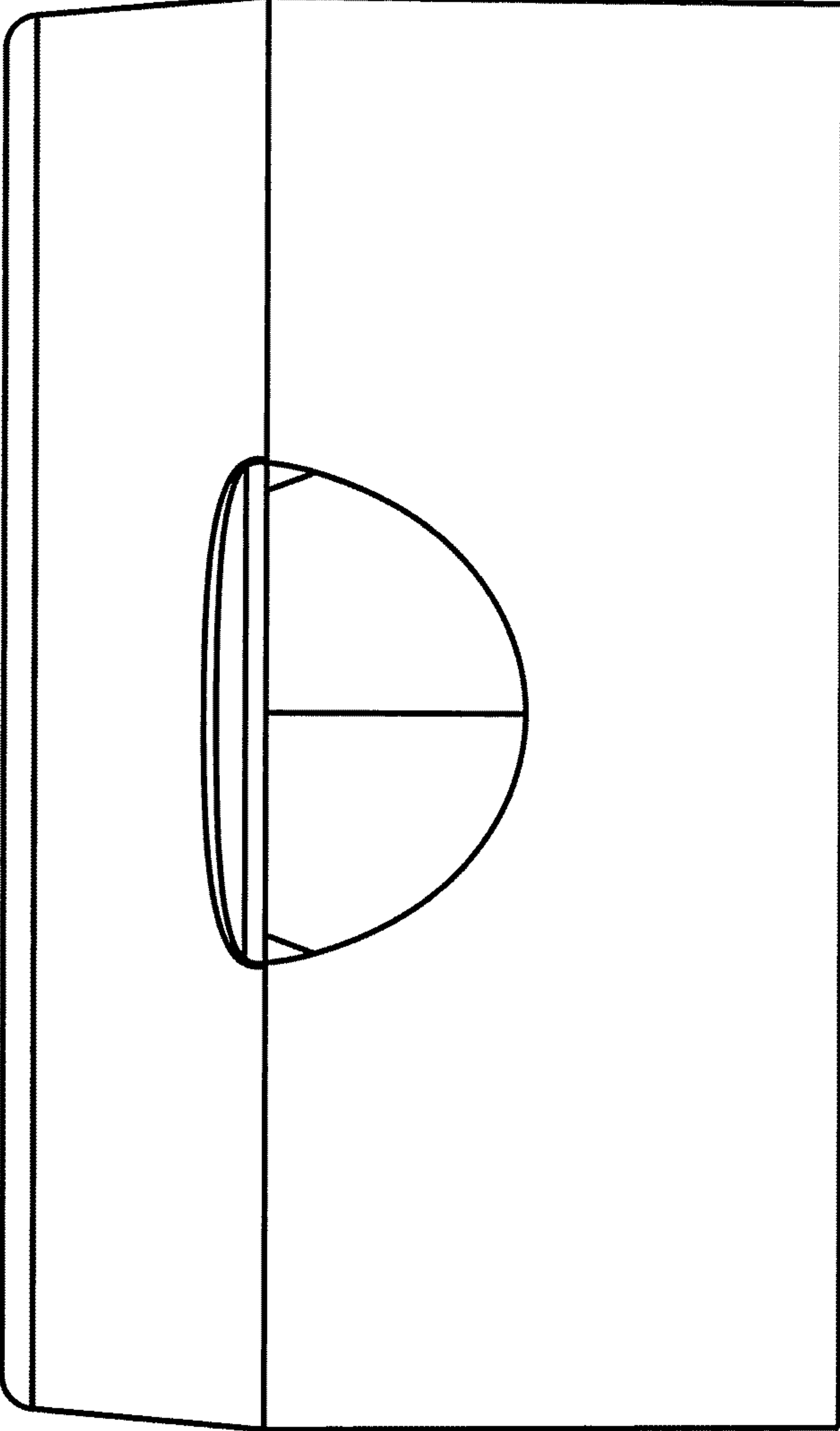


FIG. 6

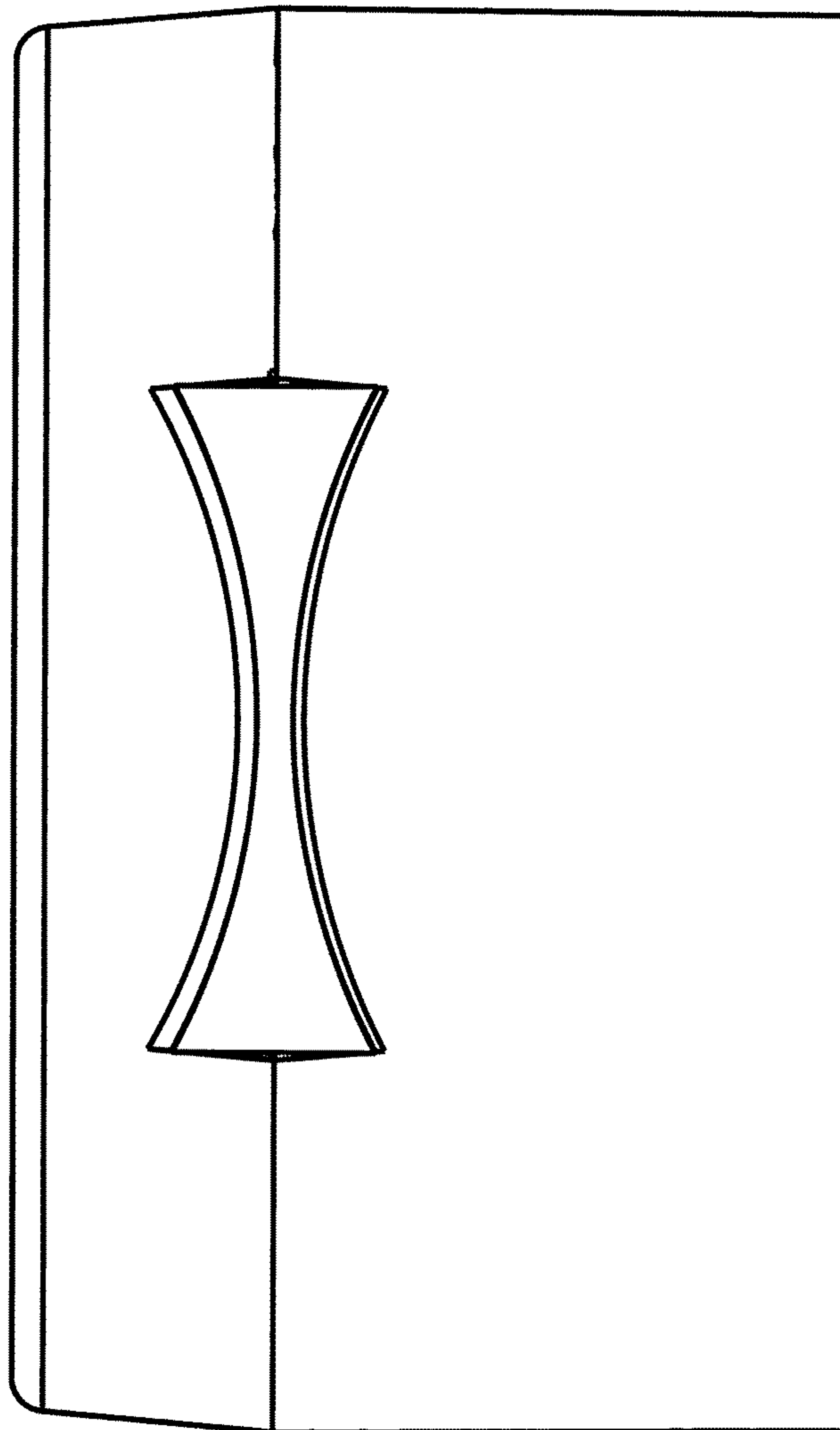


FIG. 7