



US00D713722S

(12) **United States Design Patent**
Miller

(10) **Patent No.:** **US D713,722 S**

(45) **Date of Patent:** **** Sep. 23, 2014**

(54) **DOMED CUP LID FOR HOLDING AN
INVERTED BOTTLE**

(76) Inventor: **Alexander K. Miller**, Dallas, TX (US)

(**) Term: **14 Years**

(21) Appl. No.: **29/412,510**

(22) Filed: **Feb. 3, 2012**

(51) **LOC (10) Cl.** **09-07**

(52) **U.S. Cl.**
USPC **D9/436**

(58) **Field of Classification Search**
USPC D7/392.1, 510, 590, 620; D9/428, 435,
D9/436, 444, 451, 454; D99/5; 99/322,
99/323, 323.3; 215/307; 220/709, 780
See application file for complete search history.

(56) **References Cited**

U.S. PATENT DOCUMENTS

D243,069	S	*	1/1977	Igelman	D9/428
D266,486	S	*	10/1982	Lutz	D9/503
4,508,235	A	*	4/1985	Steele et al.	215/307
D358,294	S	*	5/1995	Letica	D7/392.1
5,913,964	A	*	6/1999	Melton	99/322
6,095,033	A	*	8/2000	Melton	99/323.3
D440,155	S	*	4/2001	Schaefer	D9/451
D442,832	S	*	5/2001	Filkins et al.	D7/590
6,269,736	B1	*	8/2001	Melton	99/322
D449,986	S	*	11/2001	Schaefer	D9/434
6,314,866	B1	*	11/2001	Melton	99/322
D454,755	S	*	3/2002	Jorgensen	D7/510
6,357,619	B1	*	3/2002	Schaefer	220/709
6,374,726	B1	*	4/2002	Melton	99/323
D457,396	S	*	5/2002	Janky et al.	D7/510
D461,679	S	*	8/2002	Robinson et al.	D7/392.1
D523,333	S	*	6/2006	Moretti	D9/444
D614,825	S	*	4/2010	Biegel	D99/5
D616,174	S	*	5/2010	Beigel	D99/5
D621,124	S	*	8/2010	Biegel	D99/5
D627,599	S	*	11/2010	Richau et al.	D7/510

D639,524	S	*	6/2011	Biegel	D99/5
D639,525	S	*	6/2011	Biegel	D99/5
D640,035	S	*	6/2011	Biegel	D99/5
D641,631	S	*	7/2011	Kawahara et al.	D9/503

(Continued)

FOREIGN PATENT DOCUMENTS

ES I01421 13 - X * 12/1998

Primary Examiner — Susan Bennett Hattan

Assistant Examiner — Leanne Was

(74) *Attorney, Agent, or Firm* — Bell Nunnally & Martin
LLP; Craig J. Cox

(57) **CLAIM**

I claim the ornamental design for a domed cup lid for holding an inverted bottle, as shown and described.

DESCRIPTION

FIG. 1 is a top perspective view of a domed cup lid for holding an inverted bottle;

FIG. 2 is a bottom perspective view of the domed cup lid for holding an inverted bottle shown in FIG. 1;

FIG. 3 is a side view of the domed cup lid for holding an inverted bottle shown in FIG. 1;

FIG. 4 is an opposite side view of the domed cup lid for holding an inverted bottle shown in FIG. 1;

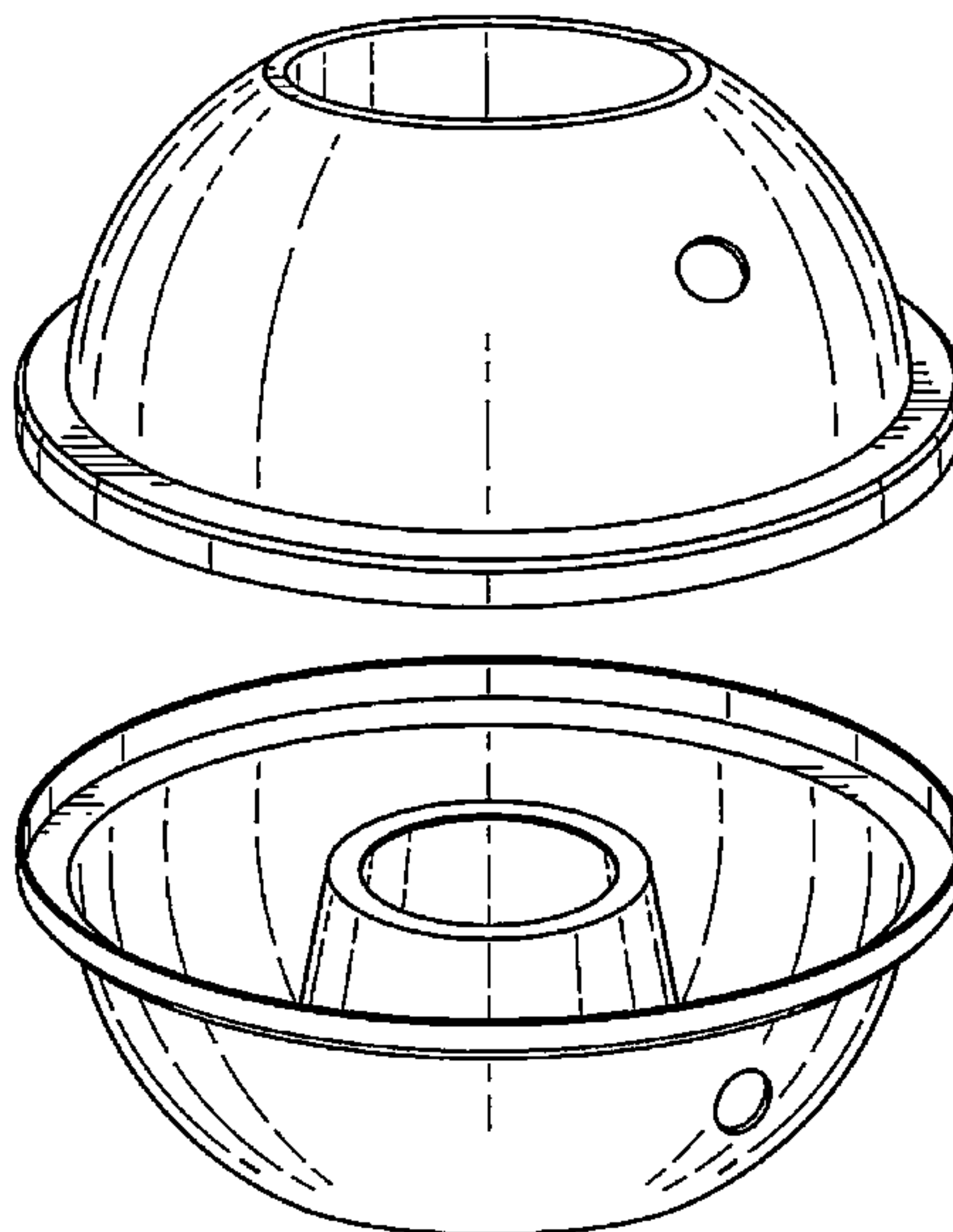
FIG. 5 is a top view of the domed cup lid for holding an inverted bottle shown in FIG. 1;

FIG. 6 is a bottom view of the domed cup lid for holding an inverted bottle shown in FIG. 1; and,

FIG. 7 is a perspective view of the domed cup lid for holding an inverted bottle shown in FIG. 1 shown attached to a cup and holding an inverted bottle.

In all figures, elements shown in broken lines are for illustrative purposes only and form no part of the claimed subject matter.

1 Claim, 4 Drawing Sheets



(56)

References Cited

U.S. PATENT DOCUMENTS

D643,284 S * 8/2011 Zomorodi et al. D9/429
D643,285 S * 8/2011 Zomorodi et al. D9/429
D643,286 S * 8/2011 Zomorodi et al. D9/429

D650,691 S * 12/2011 Miller D9/620
D650,692 S * 12/2011 Miller D9/620
8,070,011 B2 * 12/2011 Fukano 220/780

* cited by examiner

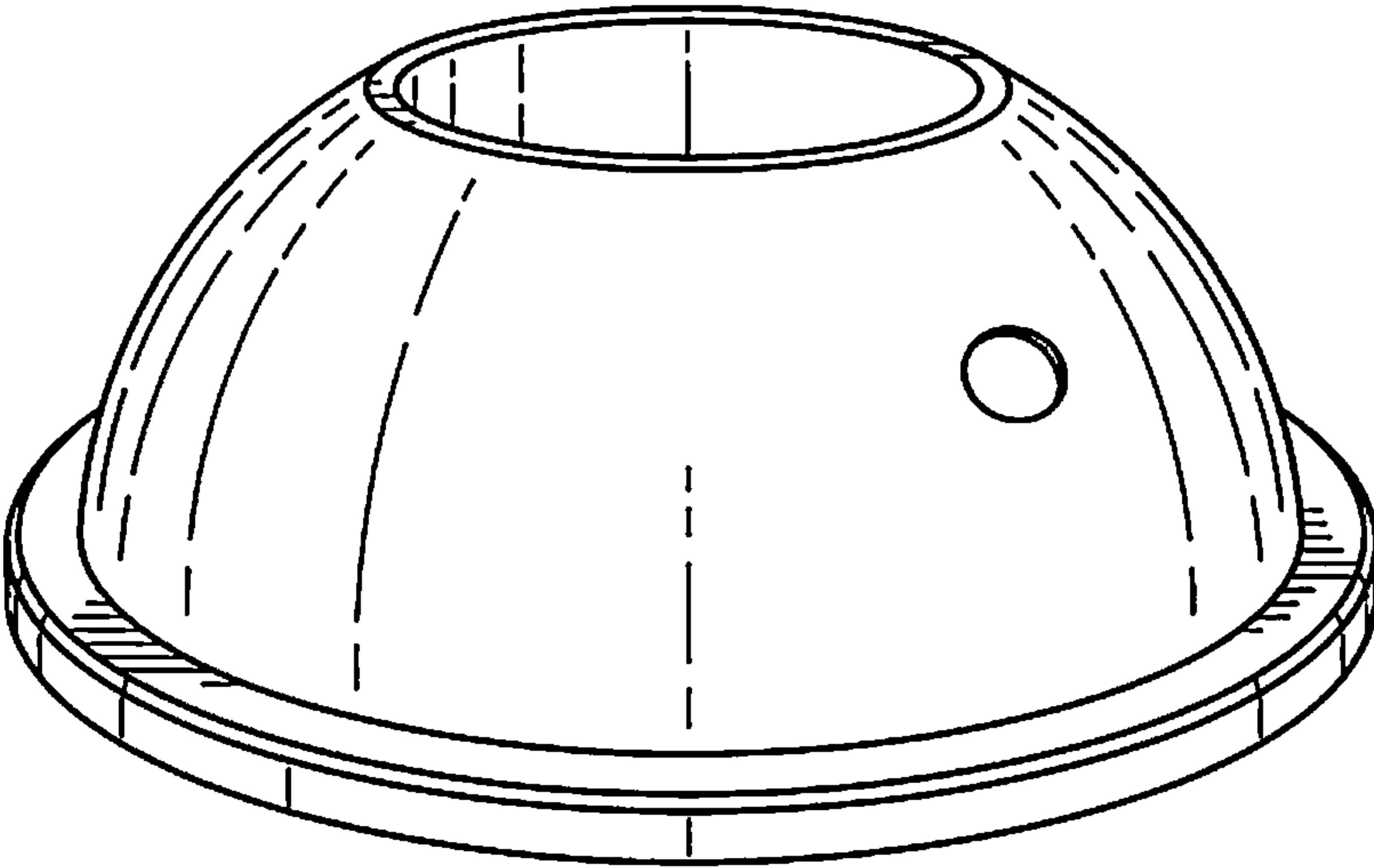


FIG. 1

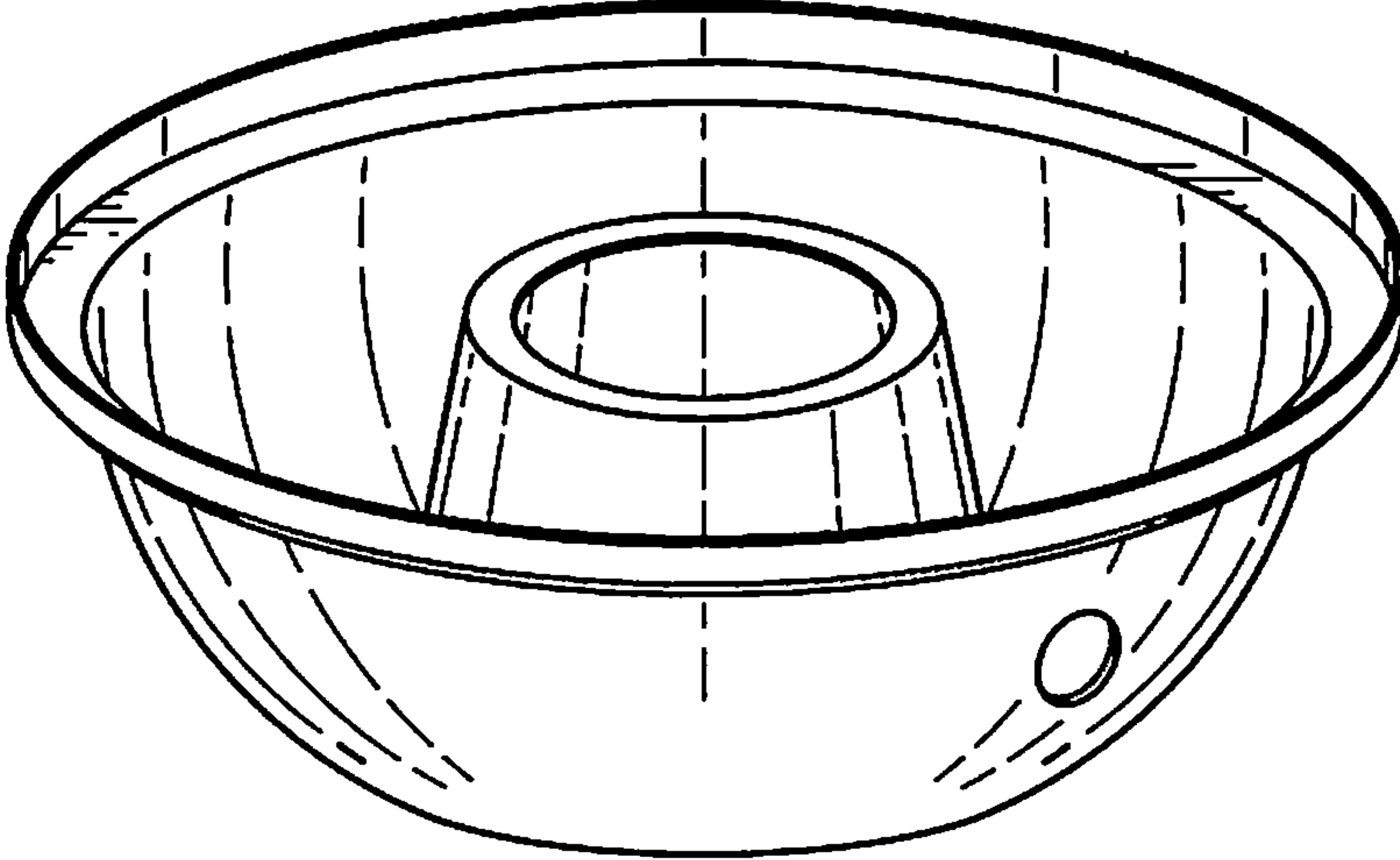


FIG. 2

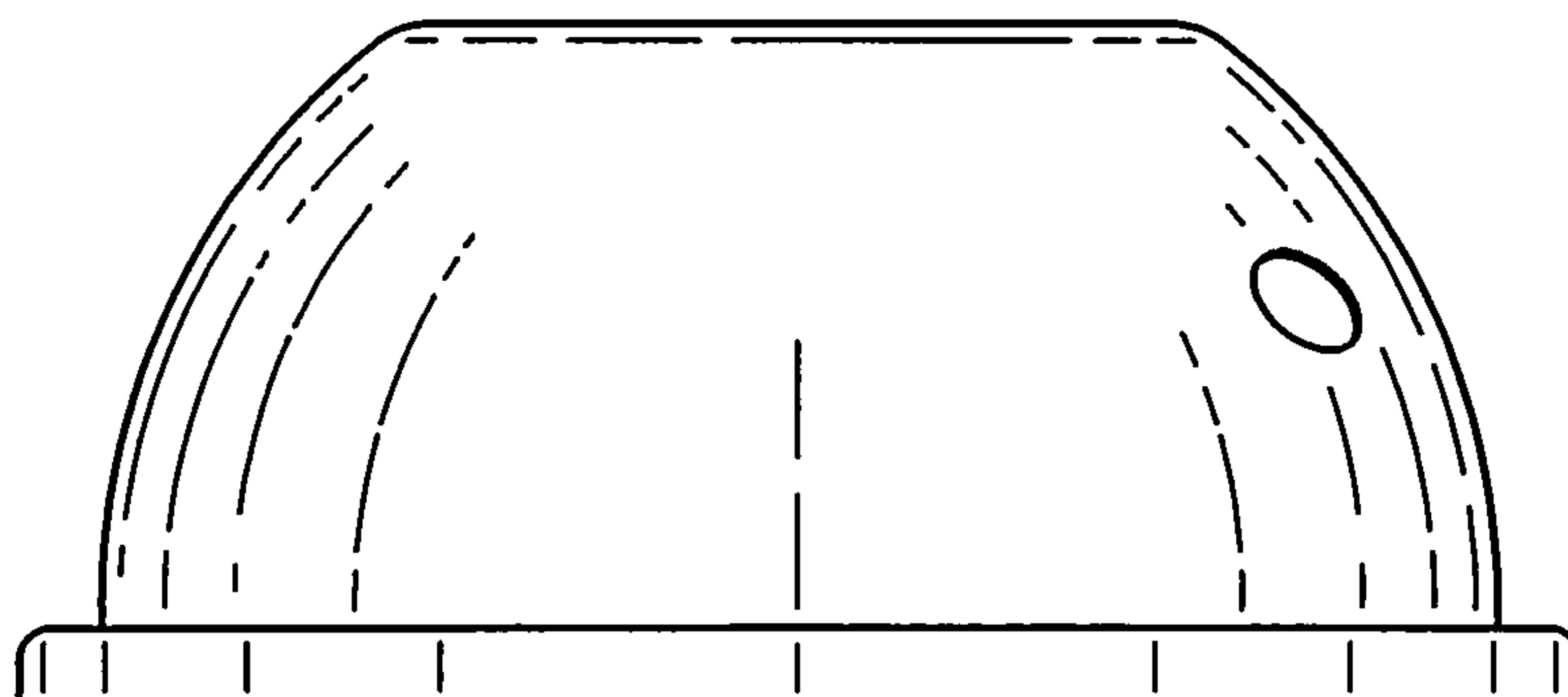


FIG. 3

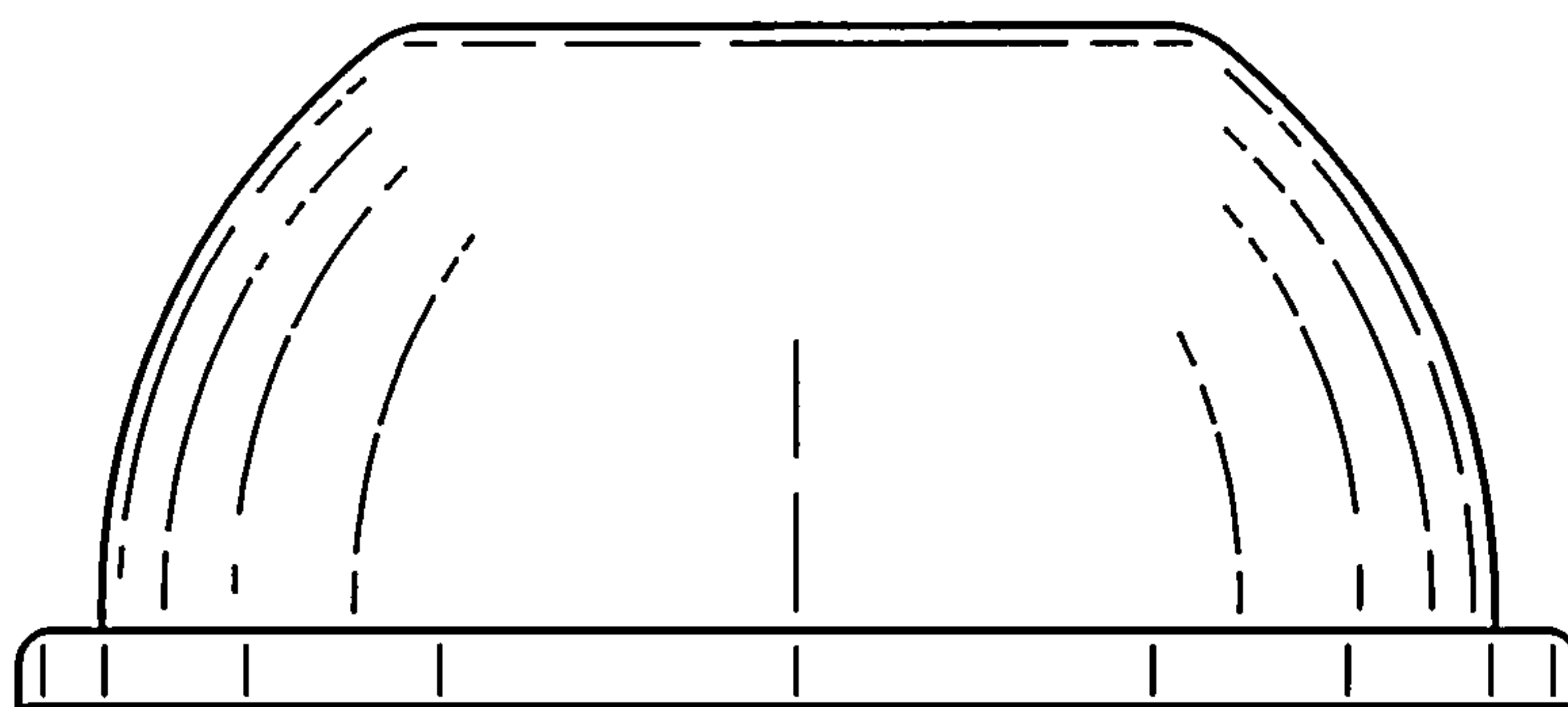


FIG. 4

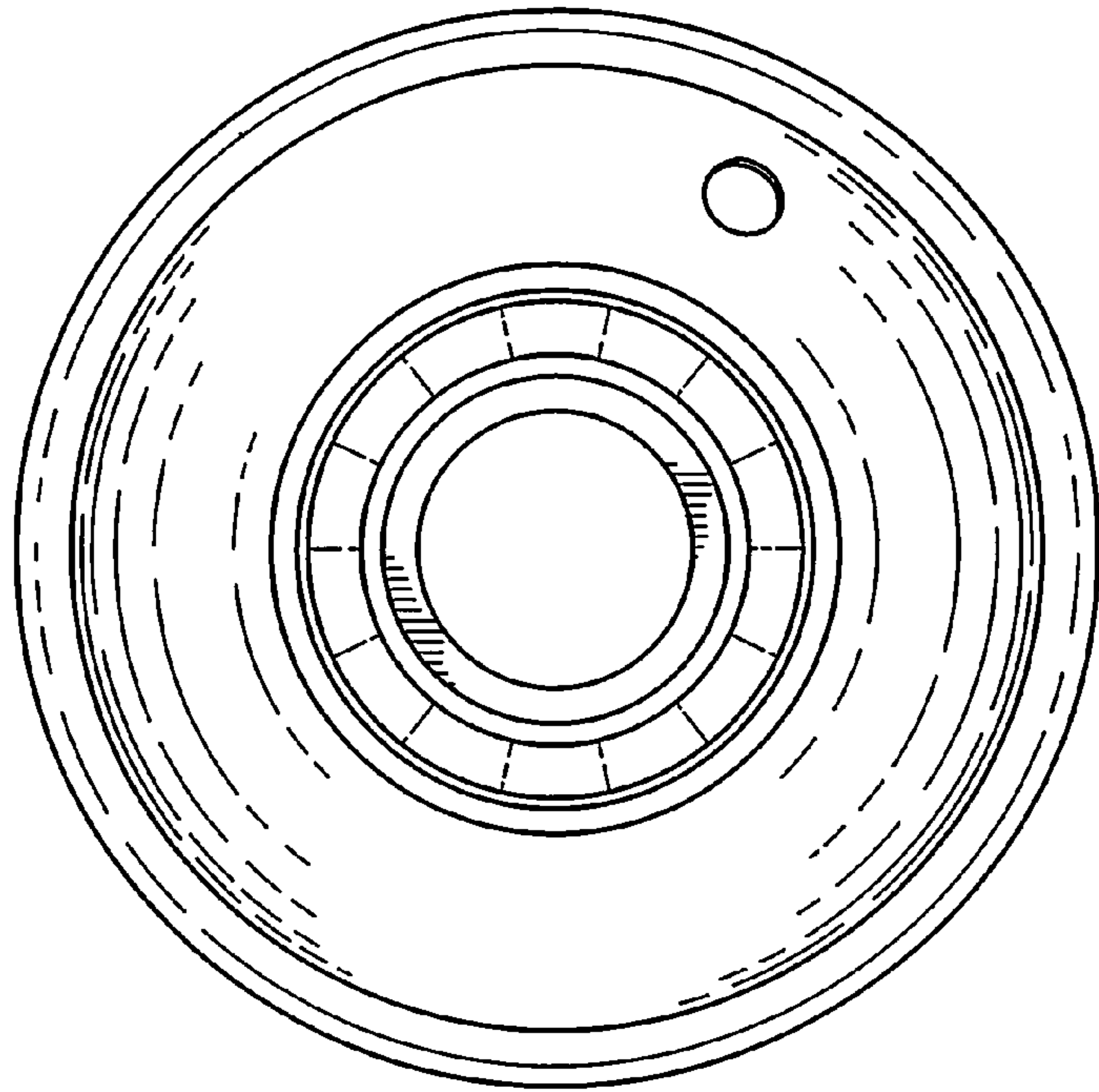


FIG. 5

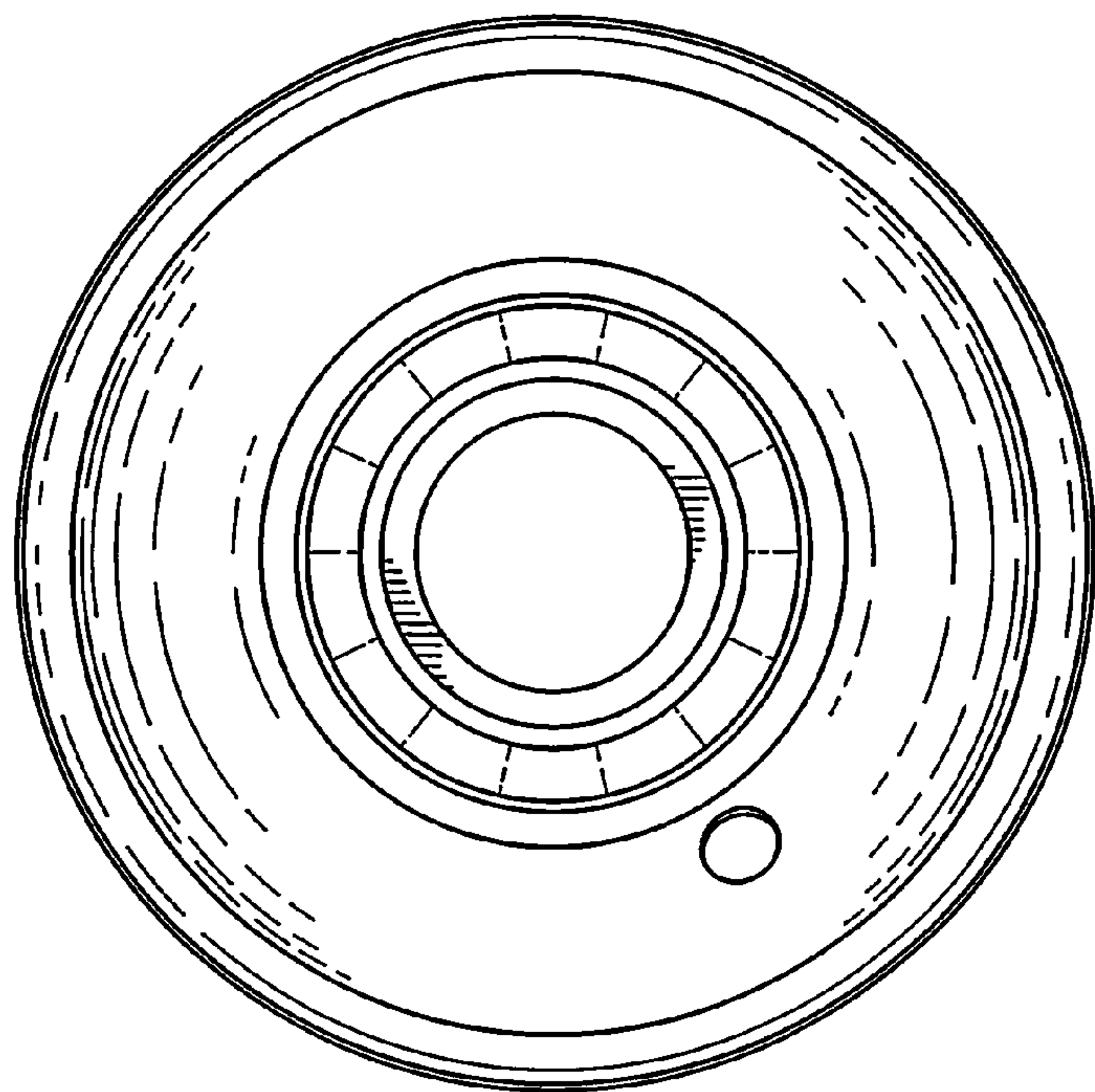


FIG. 6

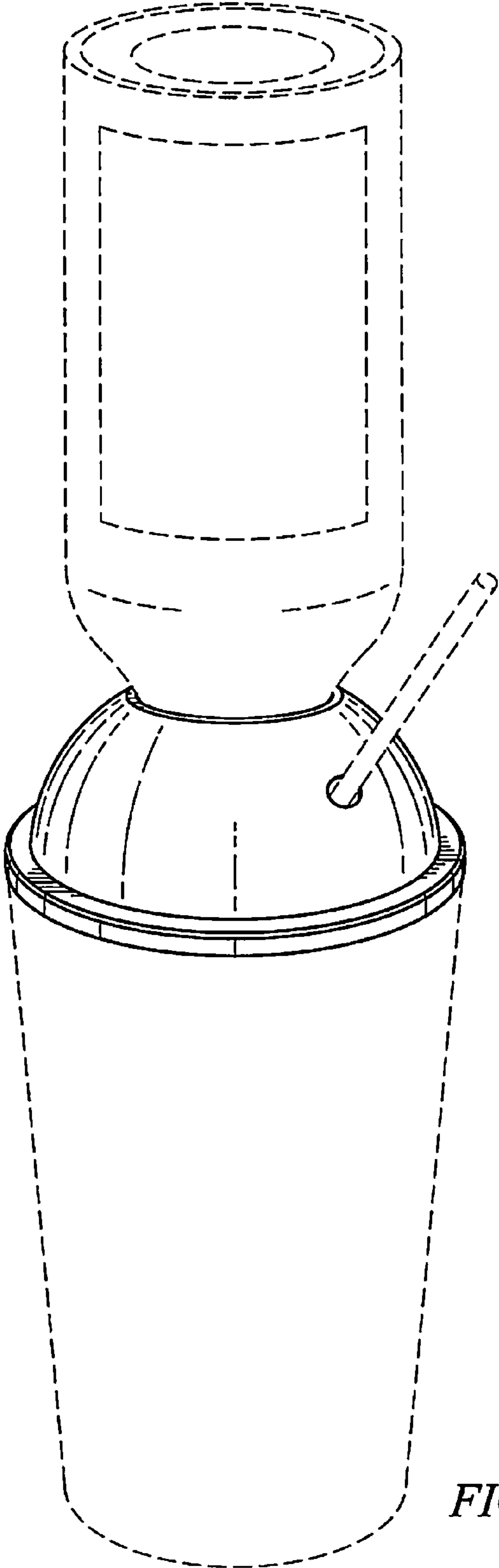


FIG. 7