



US00D713721S

(12) **United States Design Patent**
Graves

(10) **Patent No.:** **US D713,721 S**

(45) **Date of Patent:** **** Sep. 23, 2014**

(54) **COLLAPSIBLE BOX**

(71) Applicant: **Sheree Graves**, St. Petersburg, FL (US)

(72) Inventor: **Sheree Graves**, St. Petersburg, FL (US)

(**) Term: **14 Years**

(21) Appl. No.: **29/457,498**

(22) Filed: **Jun. 10, 2013**

(51) **LOC (10) Cl.** **09-03**

(52) **U.S. Cl.**
USPC **D9/432; D9/433**

(58) **Field of Classification Search**
CPC B65D 5/18-5/20; B65D 5/24; B65D 5/30;
B65D 5/42; B65D 5/46; B65D 5/70; B65D
5/74; B65D 71/12; B65D 71/40; B65D 71/46;
B65D 25/00; B65D 85/00
USPC D9/415-419, 420-425, 428, 429-435,
D9/708, 719, 734; D3/203.2, 272, 273,
D3/294, 302-304; D7/538-542, 601, 602,
D7/629

See application file for complete search history.

(56) **References Cited**

U.S. PATENT DOCUMENTS

D157,347 S * 2/1950 Cray D9/433
2,805,813 A * 9/1957 Rittmueller 229/117.15
D259,615 S * 6/1981 Morris, Jr. D7/605
4,498,590 A * 2/1985 Burdick 206/581

D335,032 S * 4/1993 Durkin, III D4/199
5,284,294 A * 2/1994 Floyd 229/179
7,077,309 B2 * 7/2006 Andrews, Sr. 229/117.15
D617,635 S * 6/2010 Gould D9/431
D620,354 S * 7/2010 Block D9/433
D674,690 S * 1/2013 Sill D9/431
D692,752 S * 11/2013 Tuppen D9/431
D692,753 S * 11/2013 Tuppen D9/431
2006/0091190 A1 * 5/2006 Nikolai 229/117.14

* cited by examiner

Primary Examiner — Susan Bennett Hattan

Assistant Examiner — Vy Koenig

(74) *Attorney, Agent, or Firm* — QuickPatents; Kevin Prince

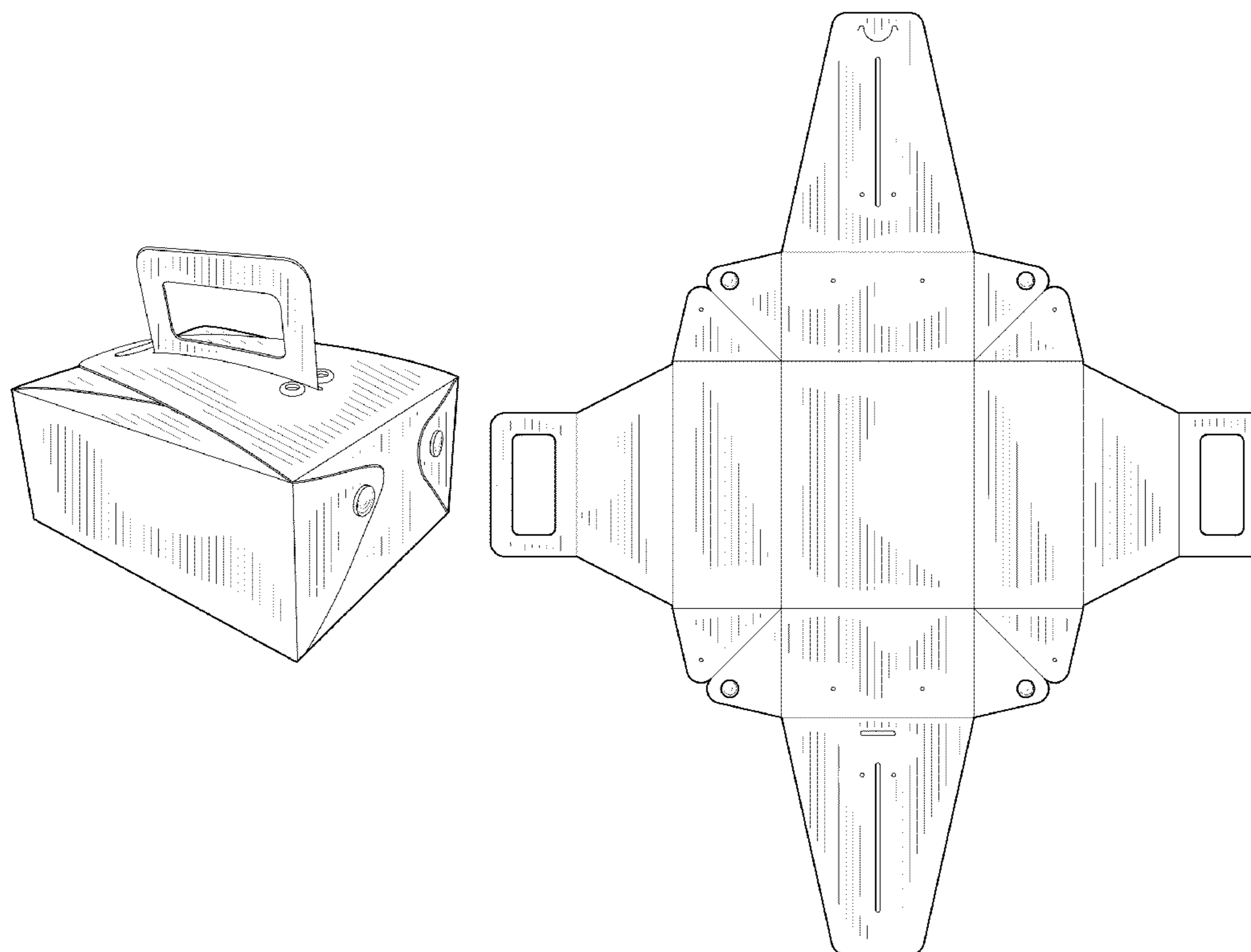
(57) **CLAIM**

I claim the ornamental design for a collapsible box, as shown and described.

DESCRIPTION

FIG. 1 is a perspective view of a collapsible box, showing my new design in an assembled configuration;
FIG. 2 is a front elevational view of FIG. 1;
FIG. 3 is a rear elevational view of FIG. 1;
FIG. 4 is a right-side elevational view of FIG. 1;
FIG. 5 is a left-side elevational view of FIG. 1;
FIG. 6 is a top plan view of FIG. 1;
FIG. 7 is a bottom plan view of FIG. 1; and,
FIG. 8 is a top plan view thereof, illustrated in a flat configuration.

1 Claim, 3 Drawing Sheets



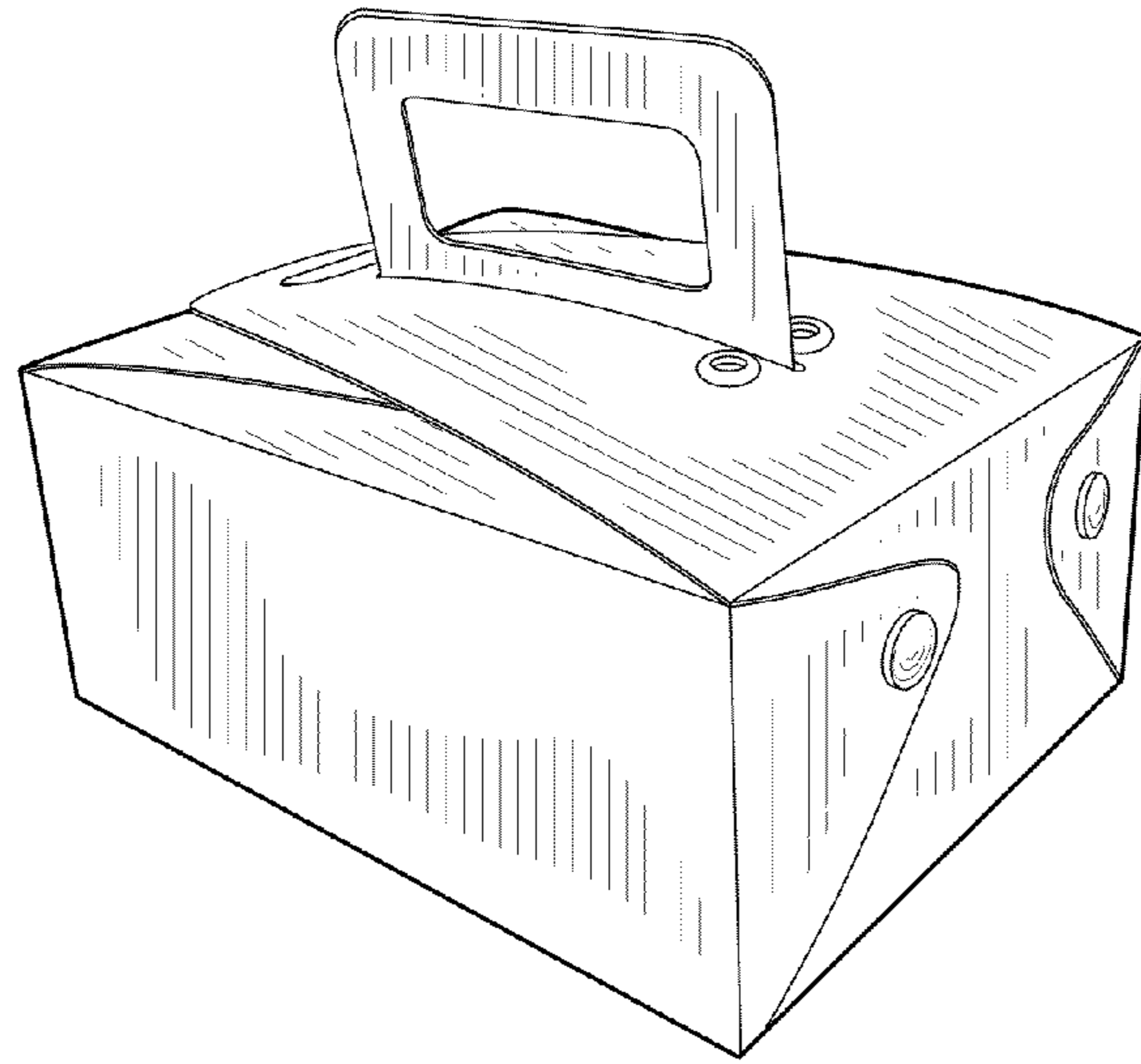


FIG. 1

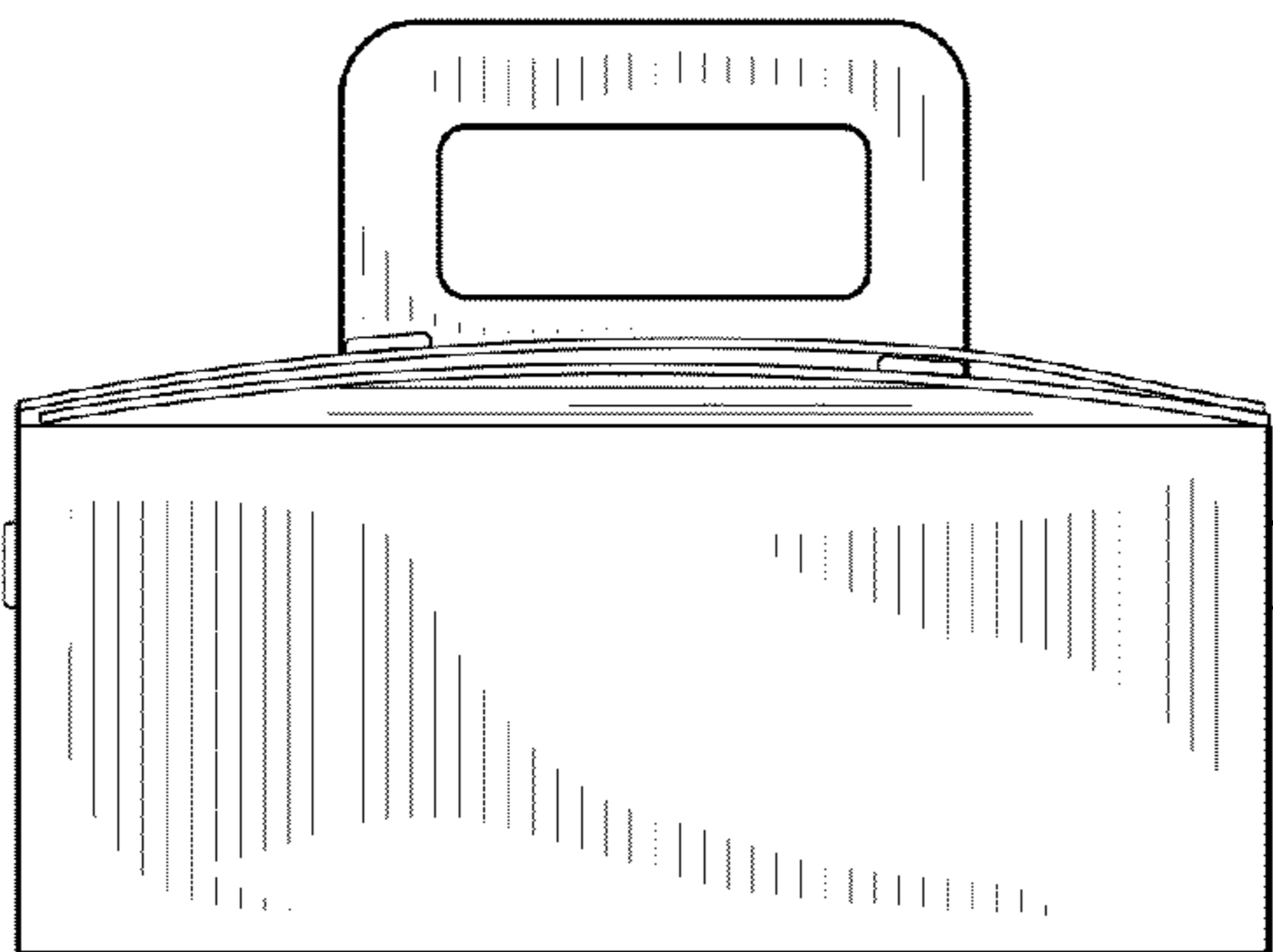


FIG. 2

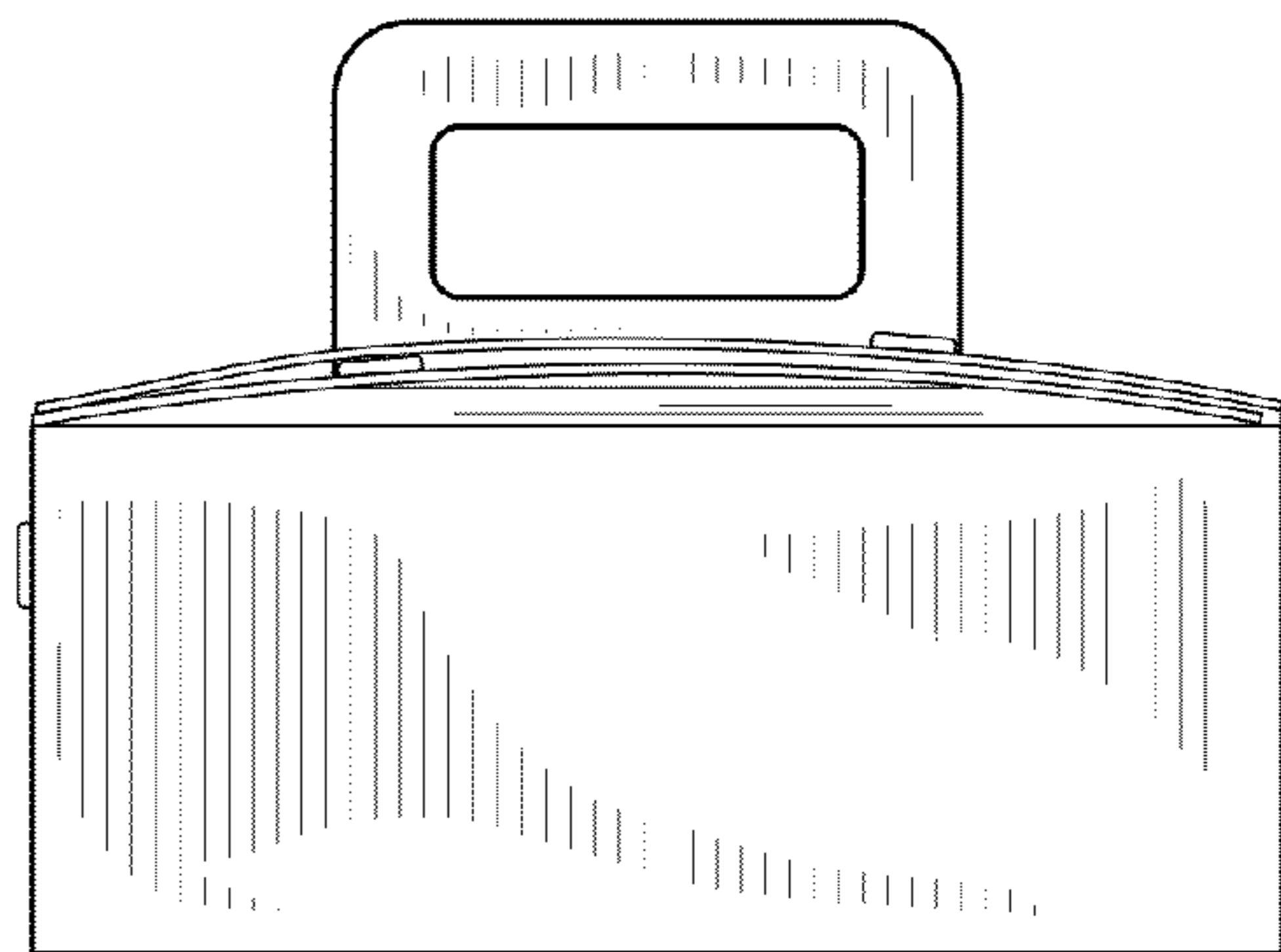


FIG. 3

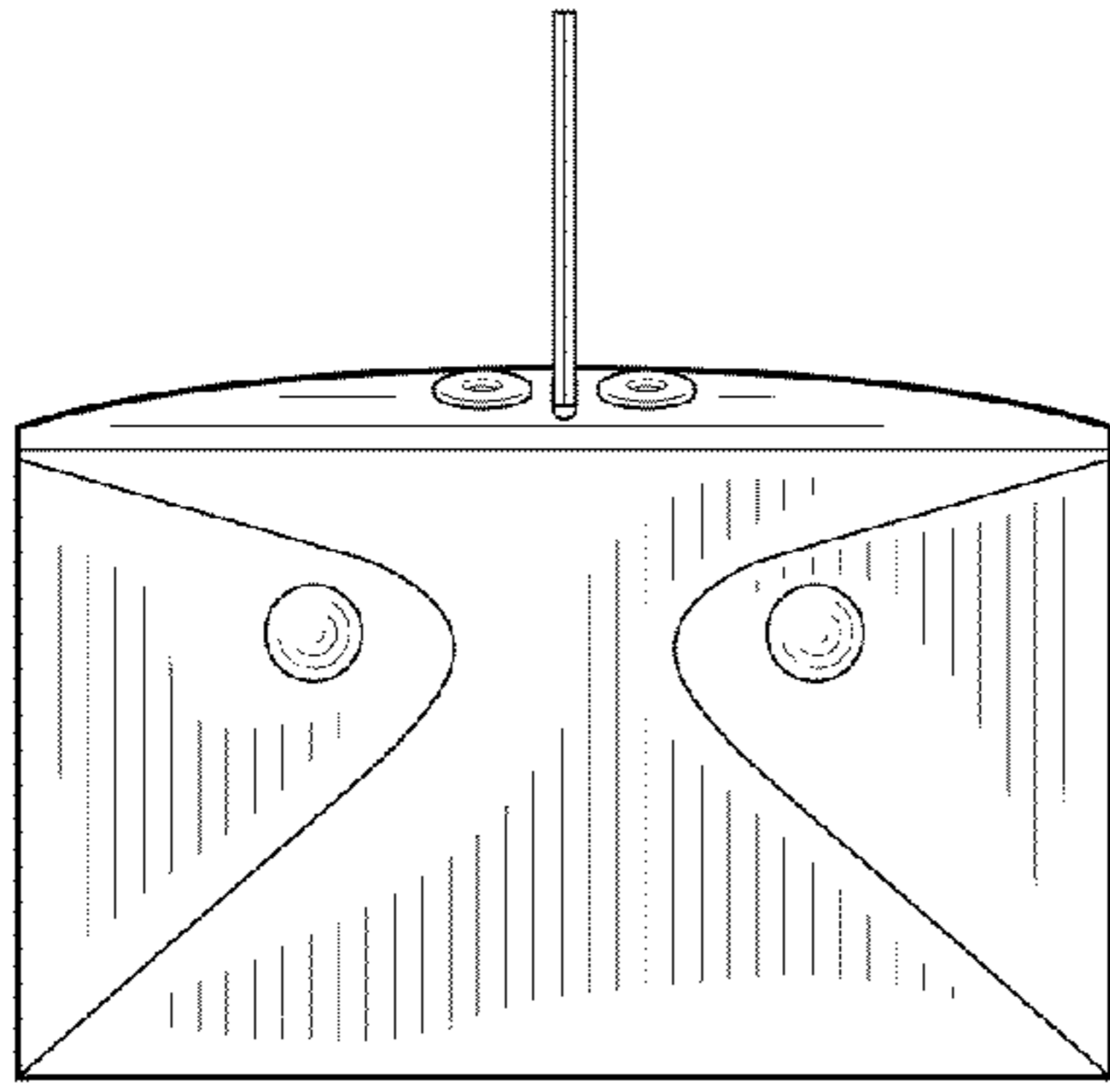


FIG. 4

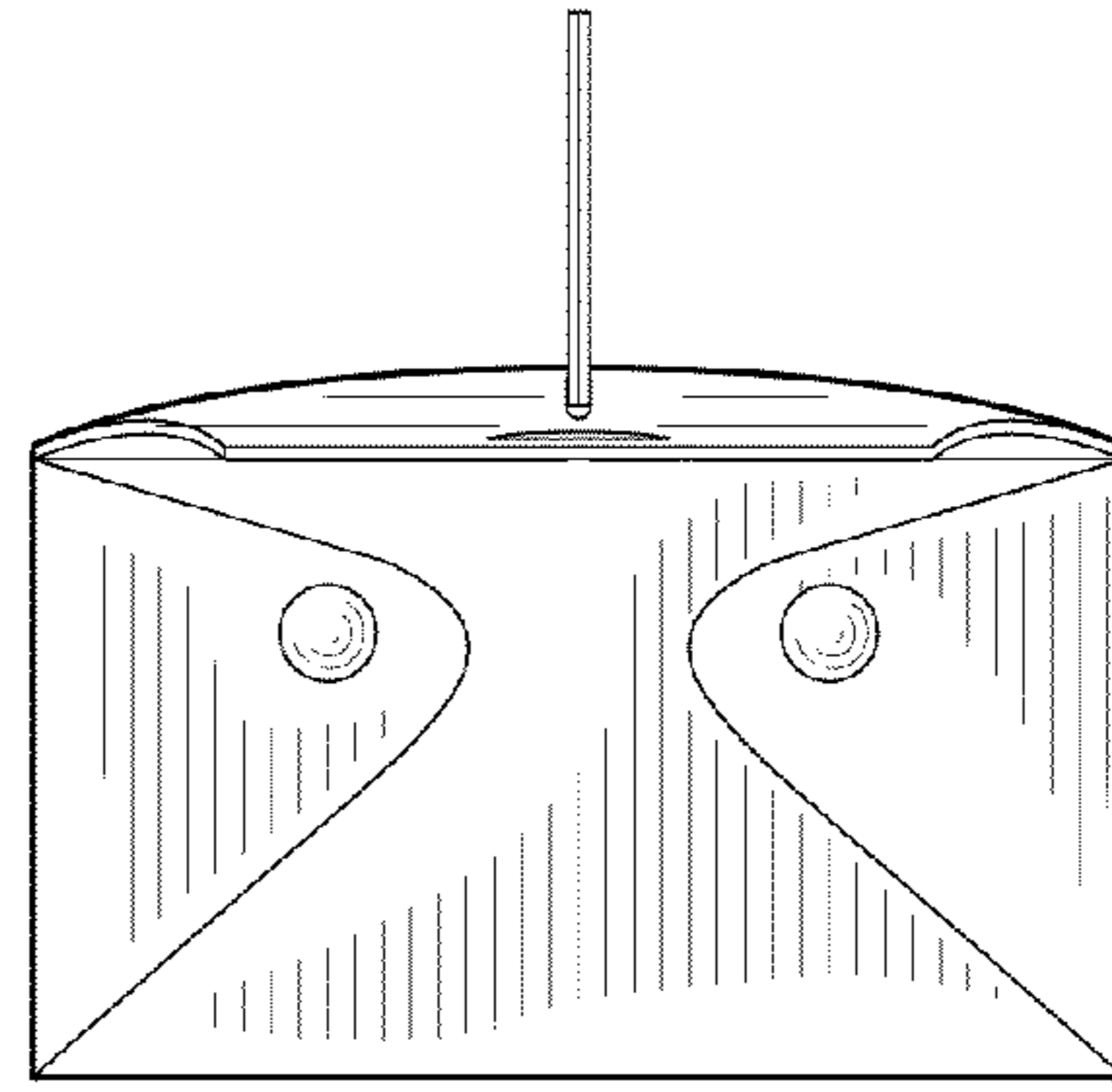


FIG. 5

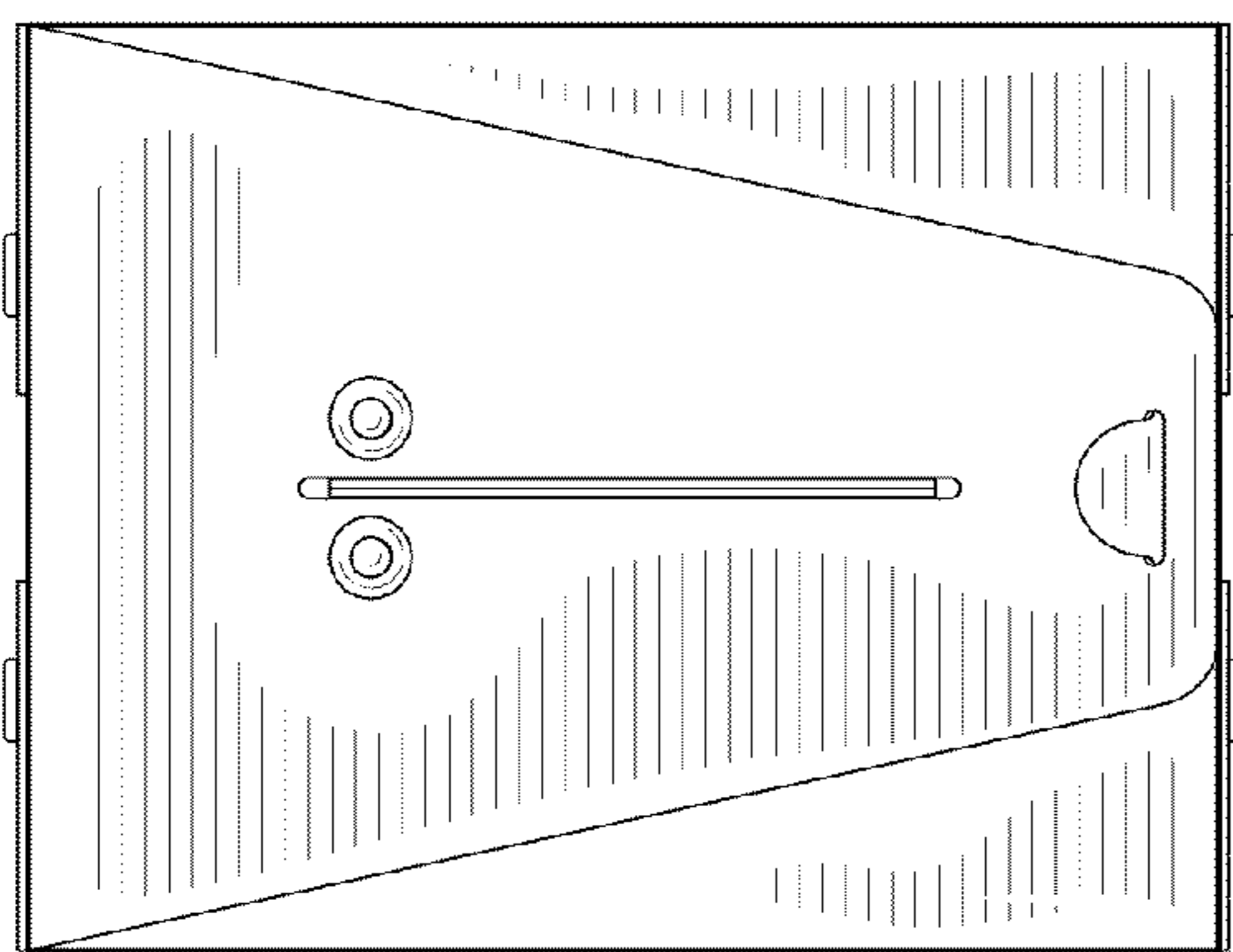


FIG. 6

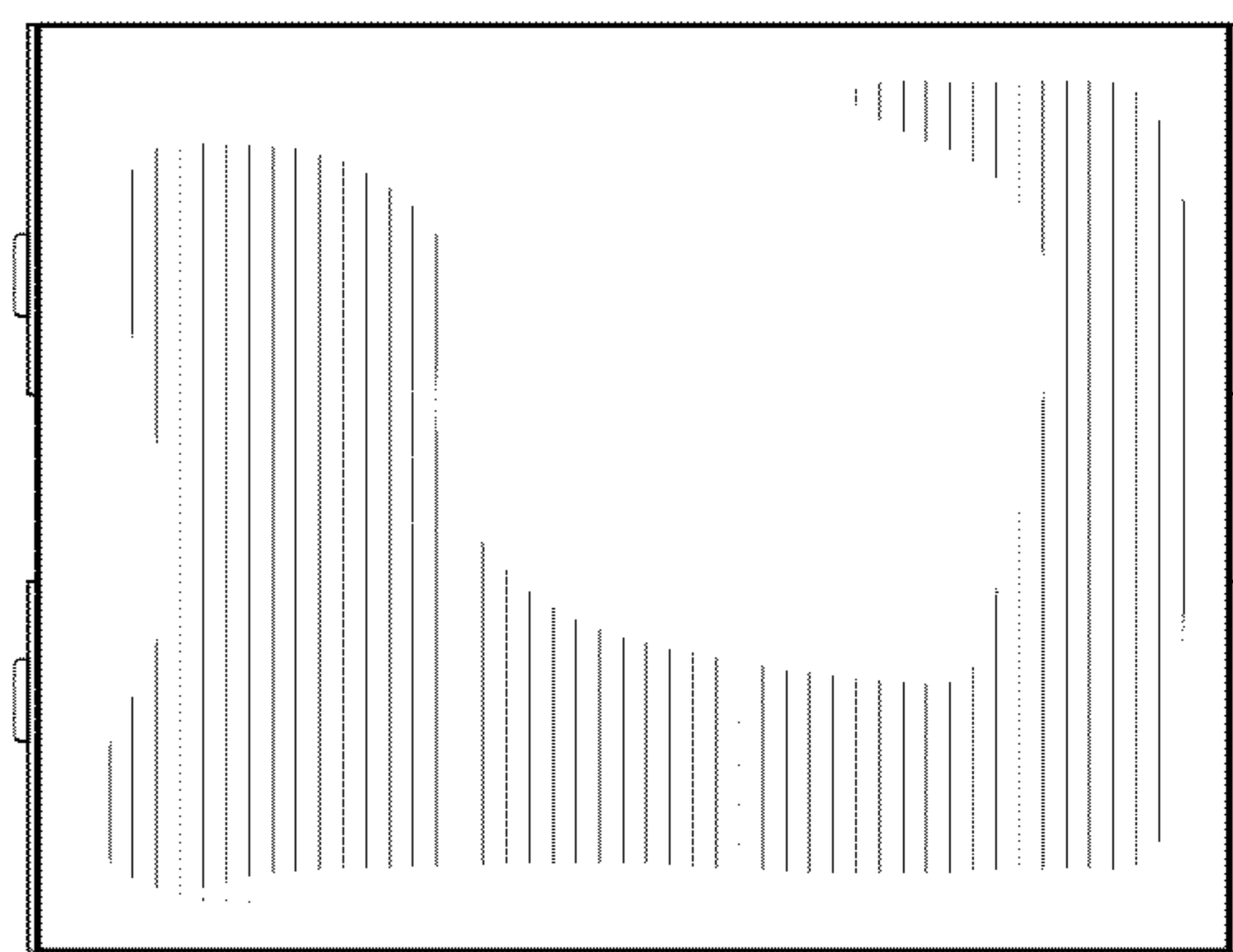


FIG. 7

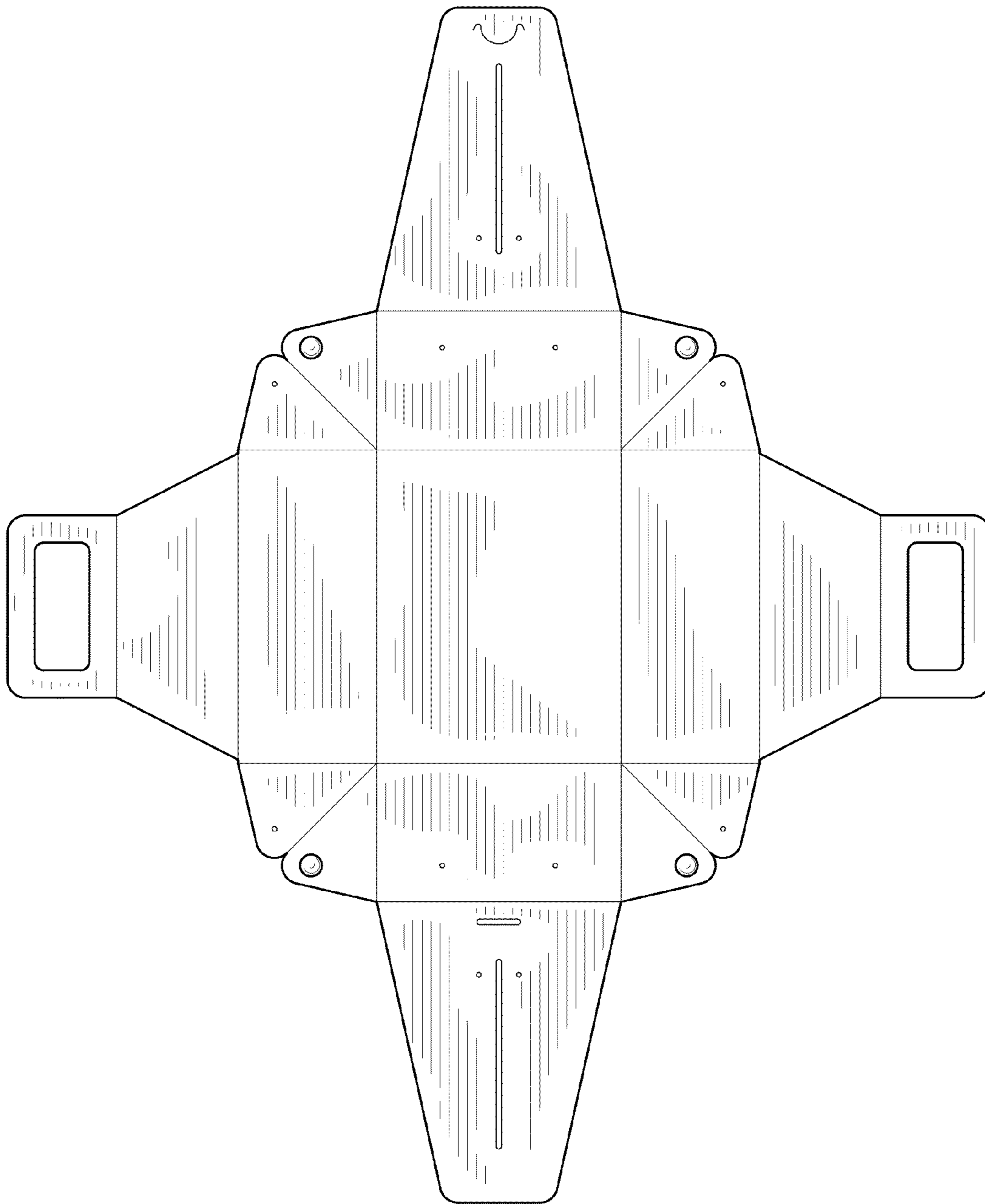


FIG. 8