



US00D713714S

(12) **United States Design Patent**  
**Kishida**

(10) **Patent No.:** **US D713,714 S**

(45) **Date of Patent:** **\*\* Sep. 23, 2014**

(54) **CAP FOR WHEEL NUT**

(71) Applicant: **Kyo-Ei Industrial Corporation**, Osaka (JP)

(72) Inventor: **Daisaku Kishida**, Osaka (JP)

(73) Assignee: **Kyo-Ei Industrial Corporation**, Osaka (JP)

(\*\*) Term: **14 Years**

(21) Appl. No.: **29/477,679**

(22) Filed: **Dec. 24, 2013**

(51) **LOC (10) Cl.** ..... **08-08**

(52) **U.S. Cl.**  
USPC ..... **D8/397**

(58) **Field of Classification Search**  
USPC ..... D8/397, 394, 382, 349, 399, 387, 392;  
411/427, 429, 432, 918, 179, 180, 190,  
411/327, 531; D23/303; 605/232; 248/154  
See application file for complete search history.

(56) **References Cited**

**U.S. PATENT DOCUMENTS**

D140,317 S *	2/1945	Allen	.....	D8/397
D208,429 S *	8/1967	Holliday	.....	D8/397
4,027,572 A *	6/1977	Burge	.....	411/436
4,170,918 A *	10/1979	Burge	.....	411/427
4,938,108 A *	7/1990	Mekler	.....	81/176.15
6,308,993 B1 *	10/2001	Phillips	.....	285/256
D454,484 S *	3/2002	Pamer et al.	.....	D8/397
D457,054 S *	5/2002	Pamer et al.	.....	D8/397
D482,761 S *	11/2003	Gotoh et al.	.....	D23/262

D510,259 S *	10/2005	Yoshimoto	.....	D8/397
7,237,464 B2 *	7/2007	Mekler	.....	81/441
7,240,927 B2 *	7/2007	Chang	.....	285/321
D590,243 S *	4/2009	Bush	.....	D8/397
D612,716 S *	3/2010	Lutz et al.	.....	D8/397
D637,901 S *	5/2011	Hinton et al.	.....	D8/397
D648,775 S *	11/2011	Rockett	.....	D17/22
D691,033 S *	10/2013	Allman	.....	D8/397
D701,113 S *	3/2014	Baker et al.	.....	D8/397
2003/0152442 A1 *	8/2003	Curley et al.	.....	411/427
2005/0207861 A1 *	9/2005	Leatherman et al.	.....	411/15

\* cited by examiner

*Primary Examiner* — Cynthia Underwood  
(74) *Attorney, Agent, or Firm* — Mori & Ward, LLP

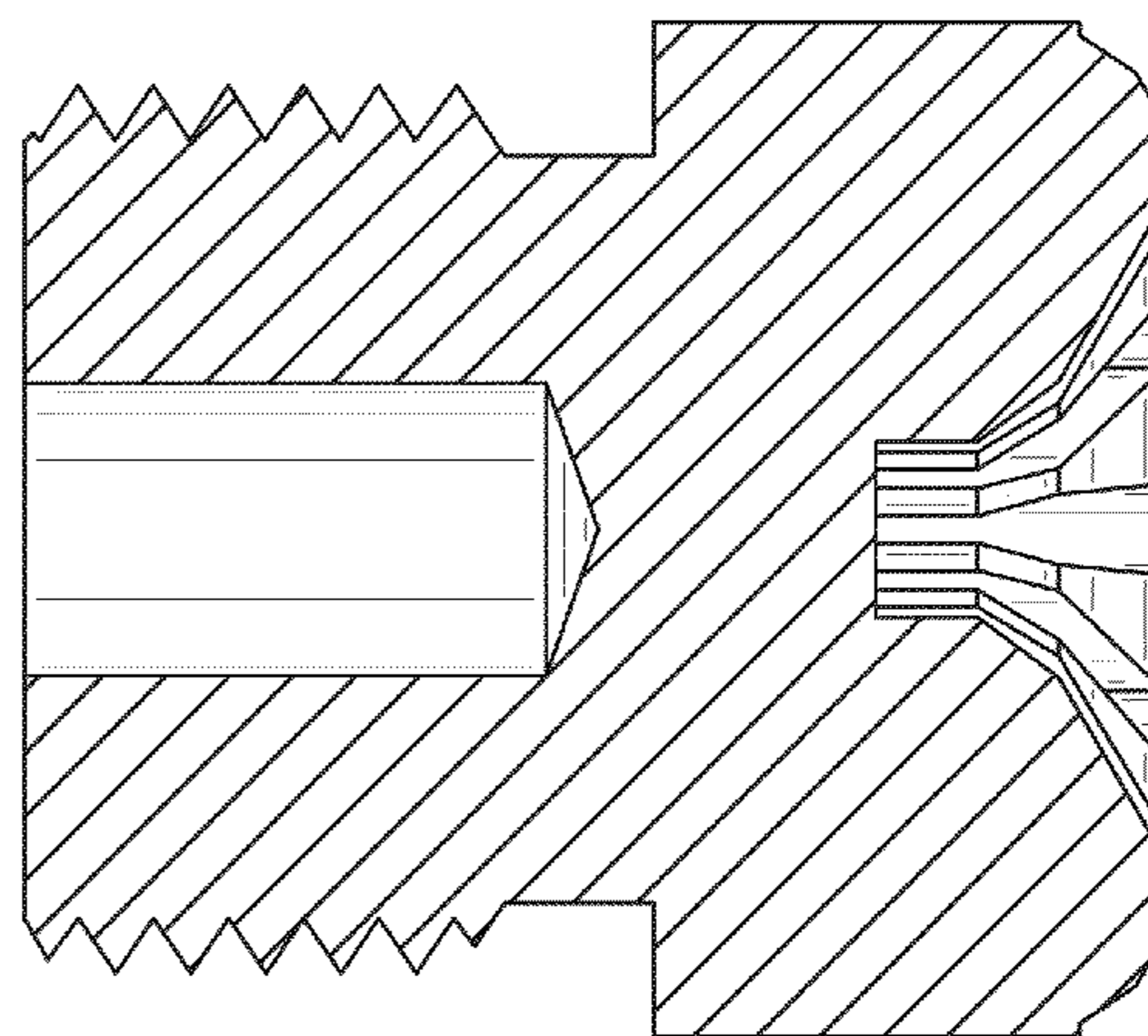
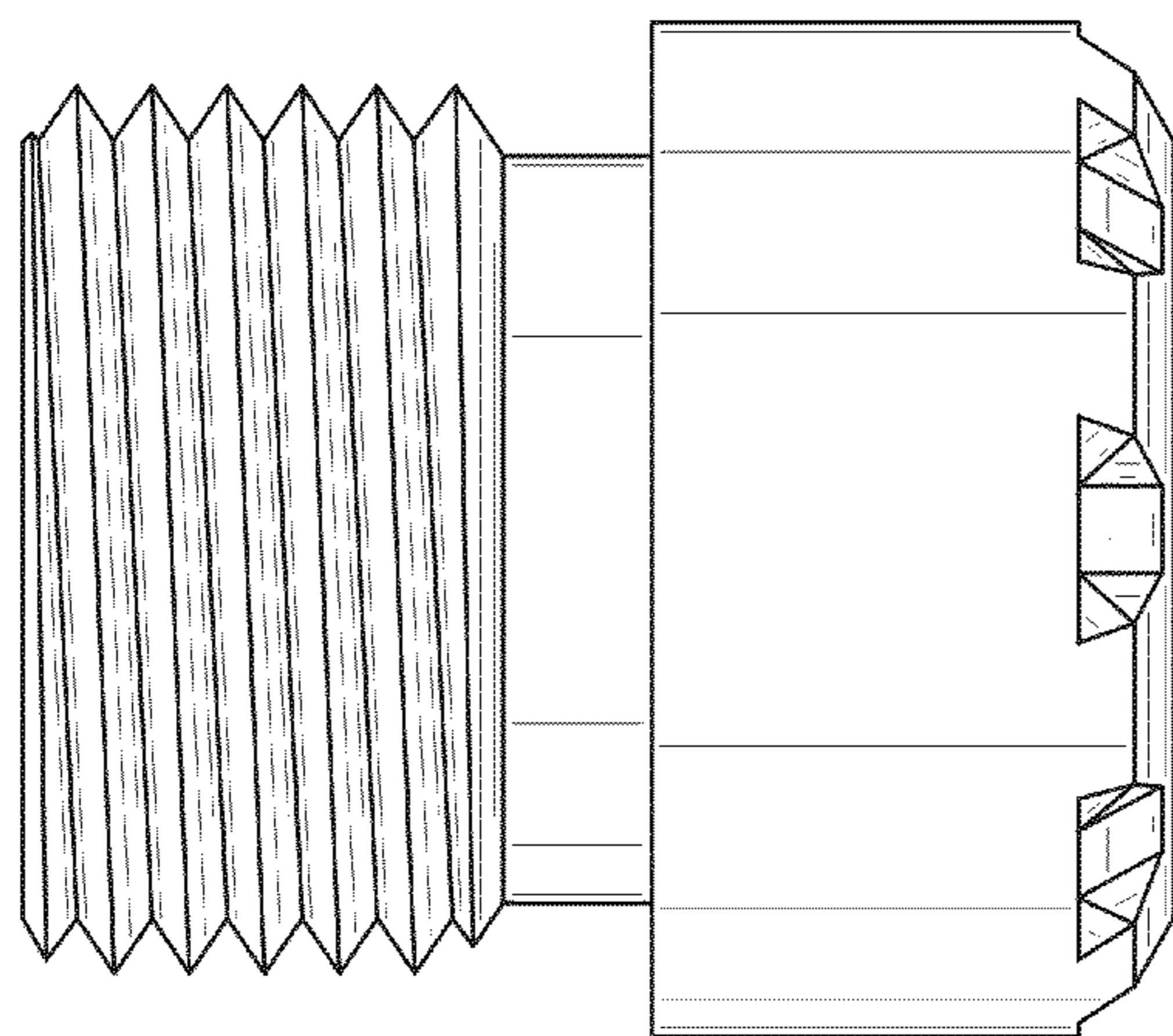
(57) **CLAIM**

The ornamental design for a cap for wheel nut, as shown and described.

**DESCRIPTION**

FIG. 1 is a front elevational view of a cap for wheel nut, showing my design;  
FIG. 2 is a right side elevational view thereof;  
FIG. 3 is a left side elevational view thereof;  
FIG. 4 is a rear elevational view thereof;  
FIG. 5 is a top, plan view thereof;  
FIG. 6 is a bottom view thereof;  
FIG. 7 is a cross-sectional view thereof taken along lines VII-VII in FIG. 2; and,  
FIG. 8 is a cross-sectional view thereof taken along lines VIII-VIII in FIG. 2.

**1 Claim, 4 Drawing Sheets**



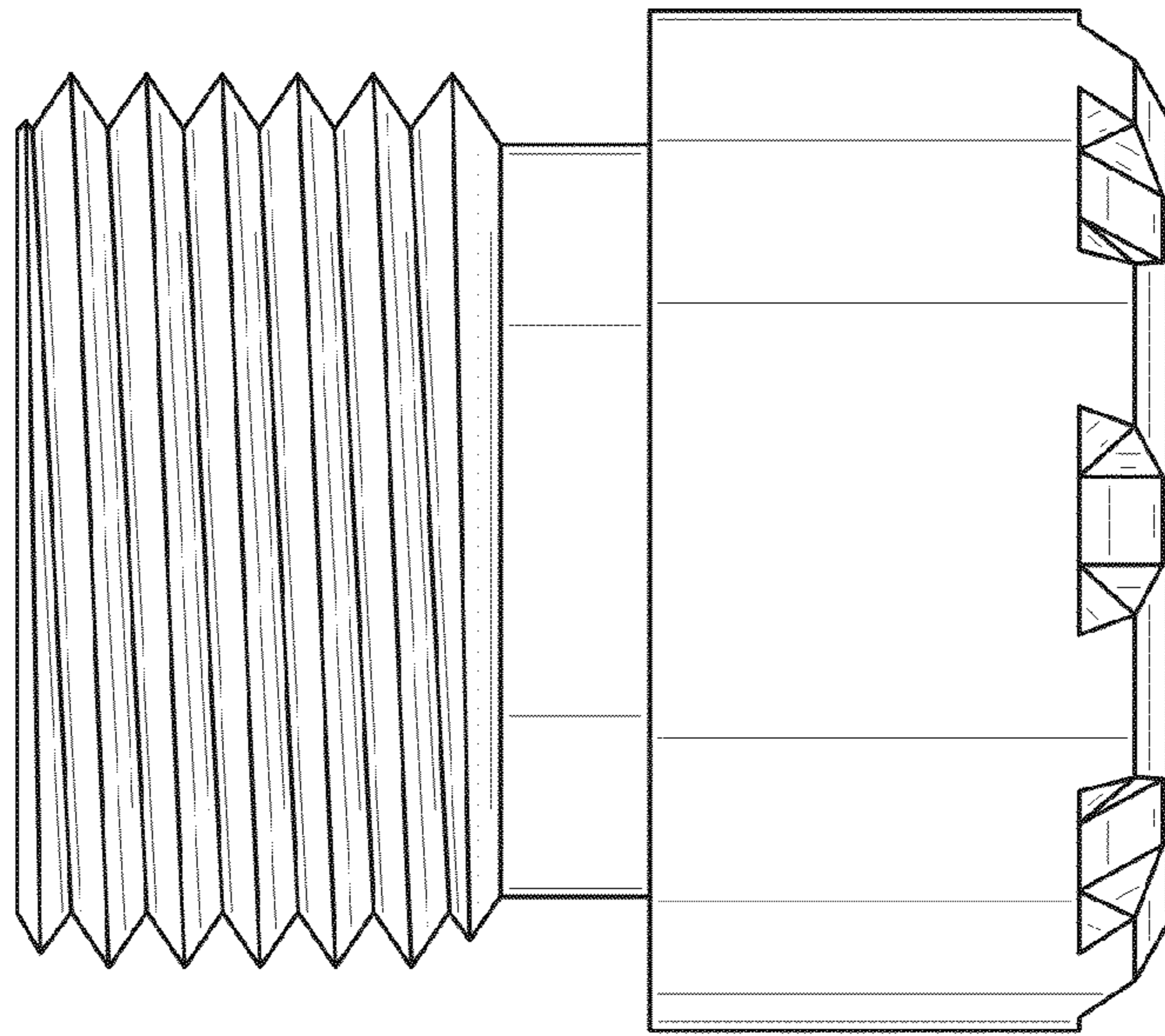


FIG. 1

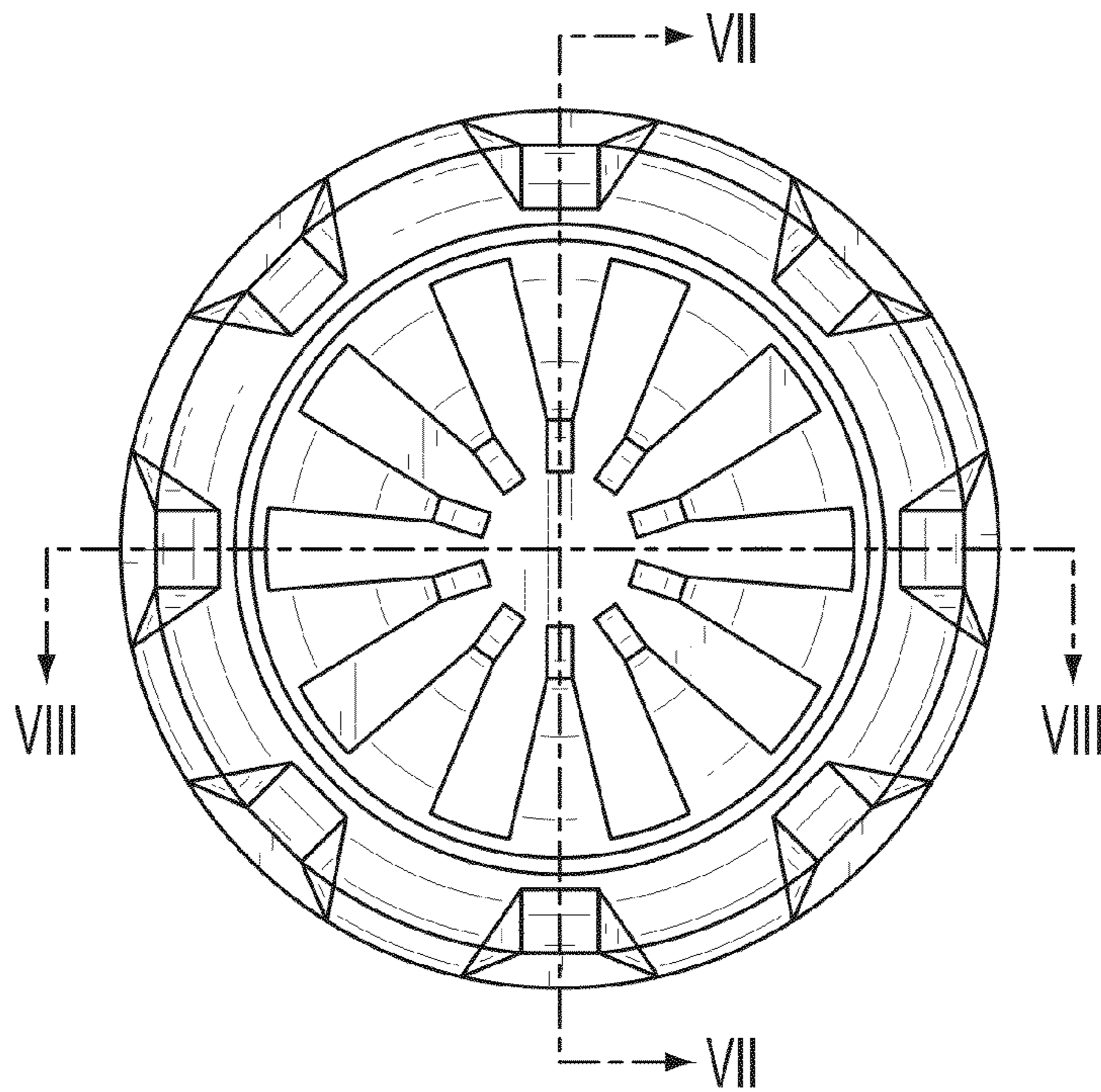


FIG. 2

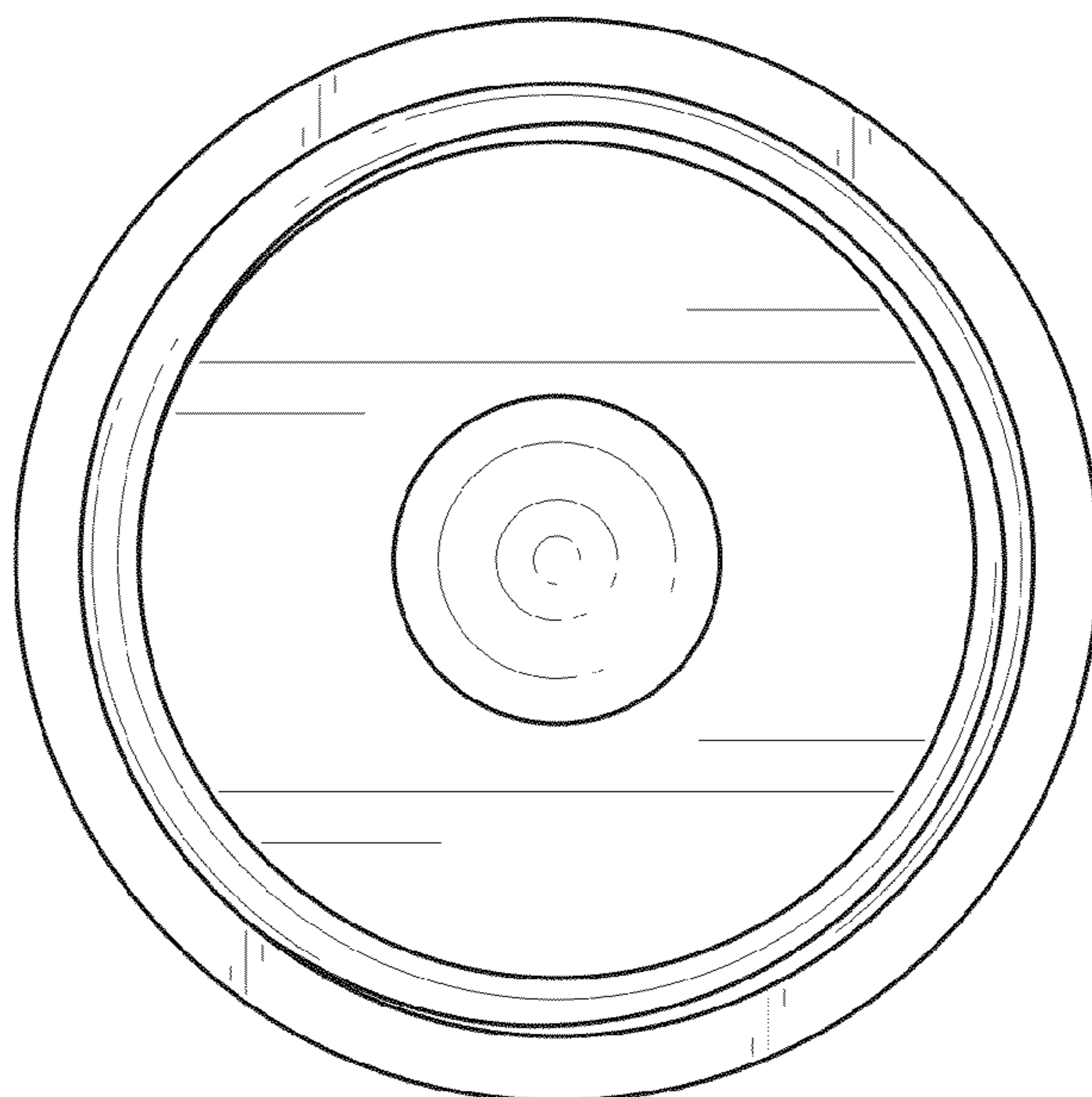


FIG. 3

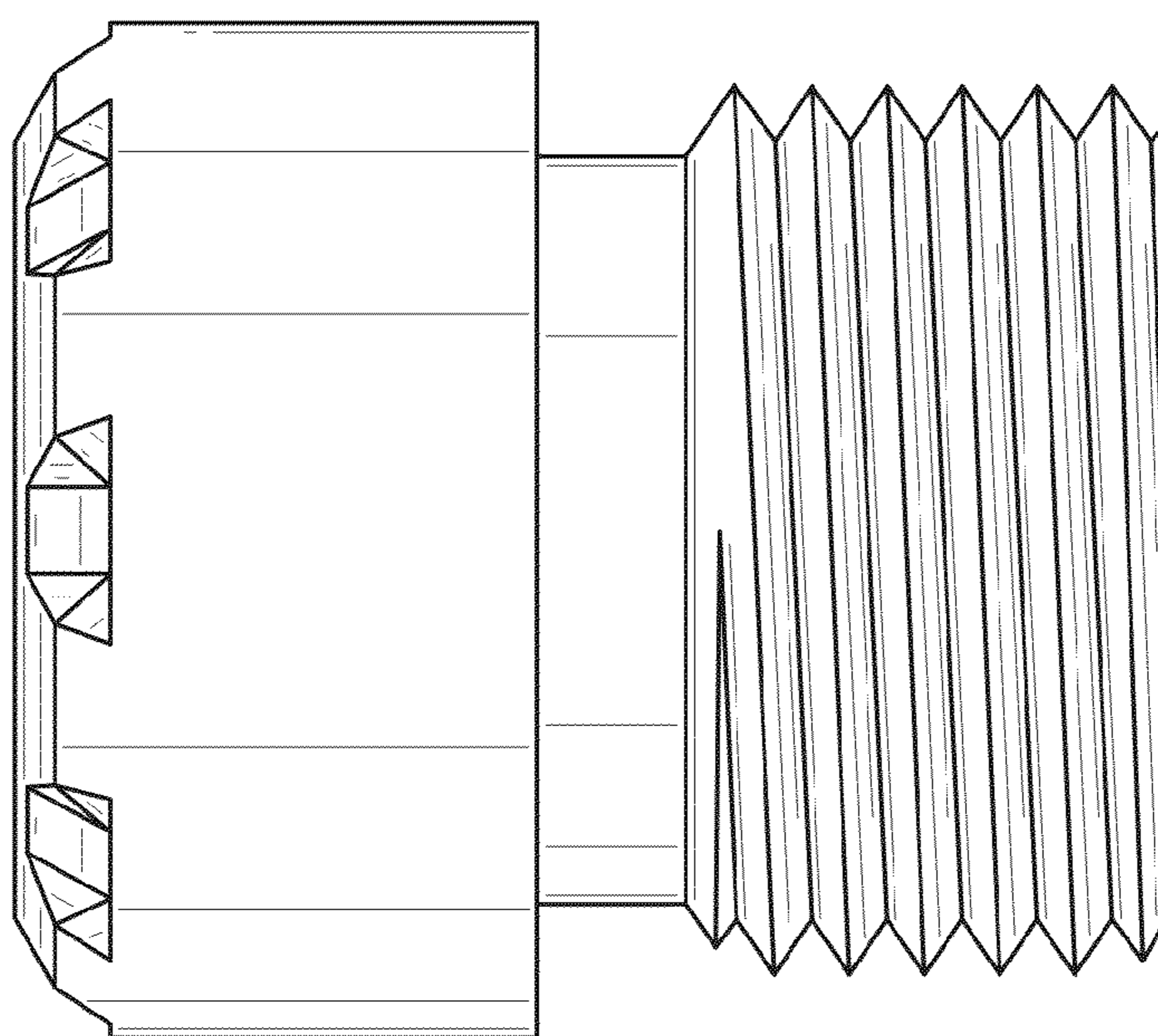


FIG. 4

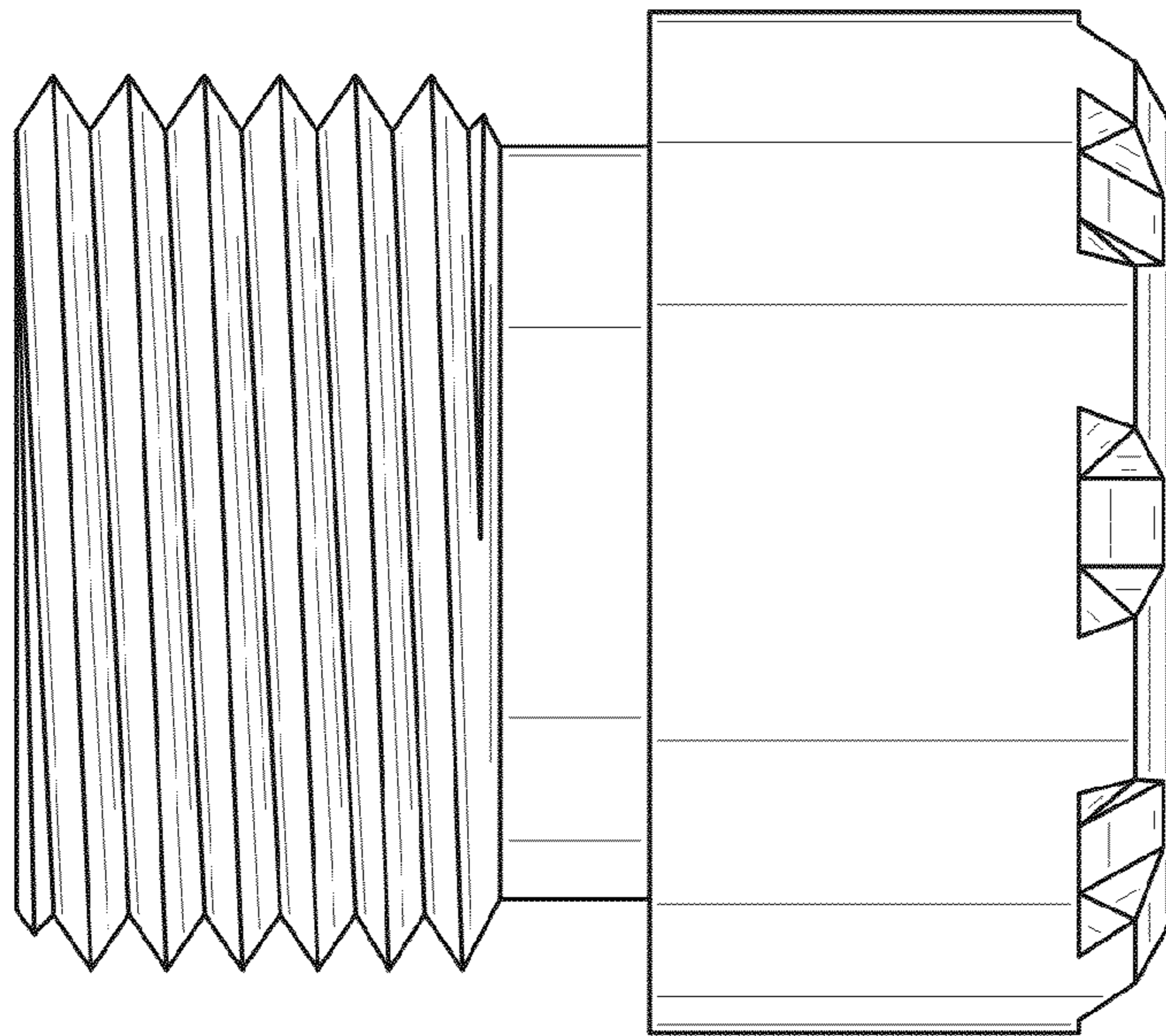


FIG. 5

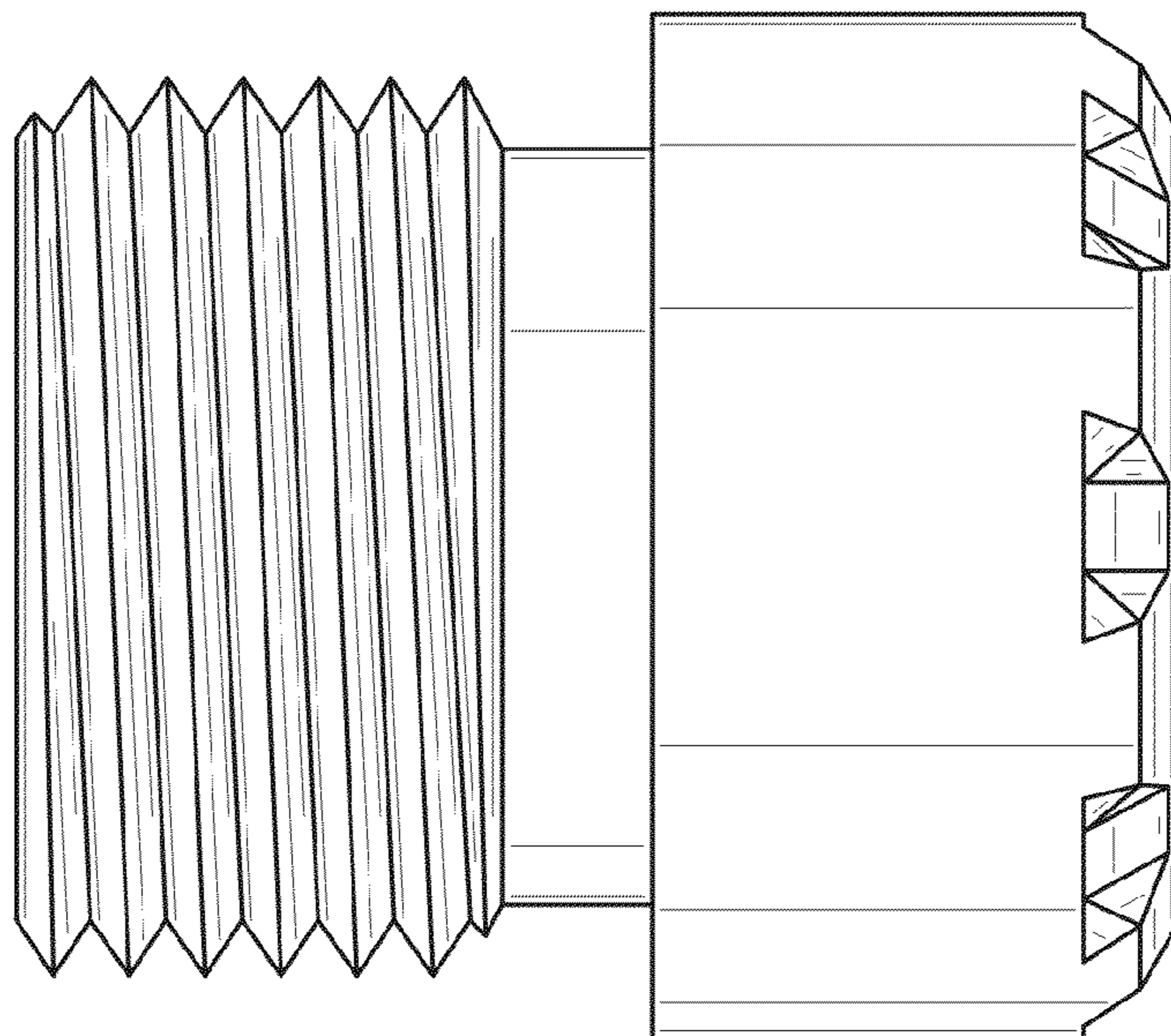


FIG. 6

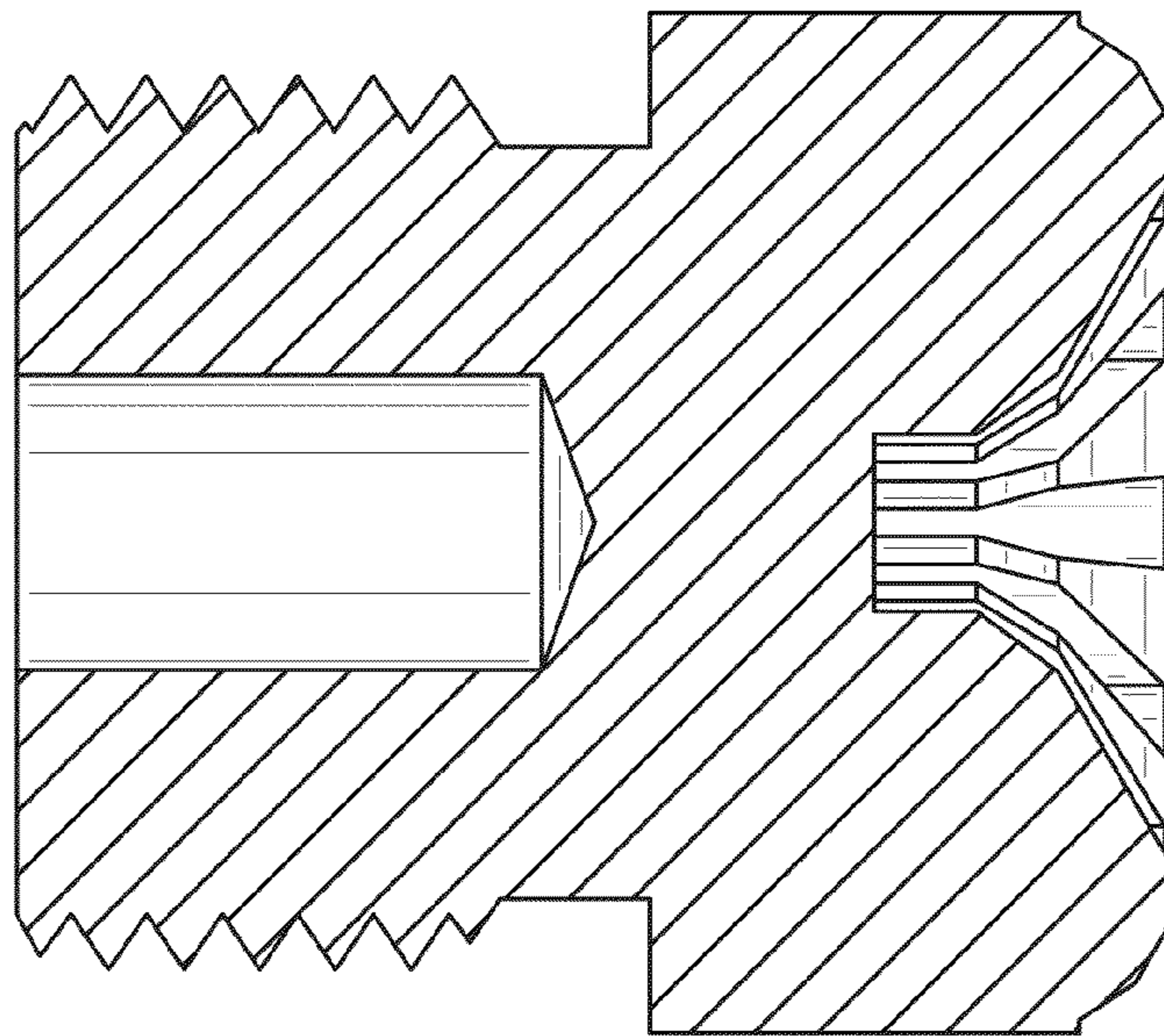


FIG. 7

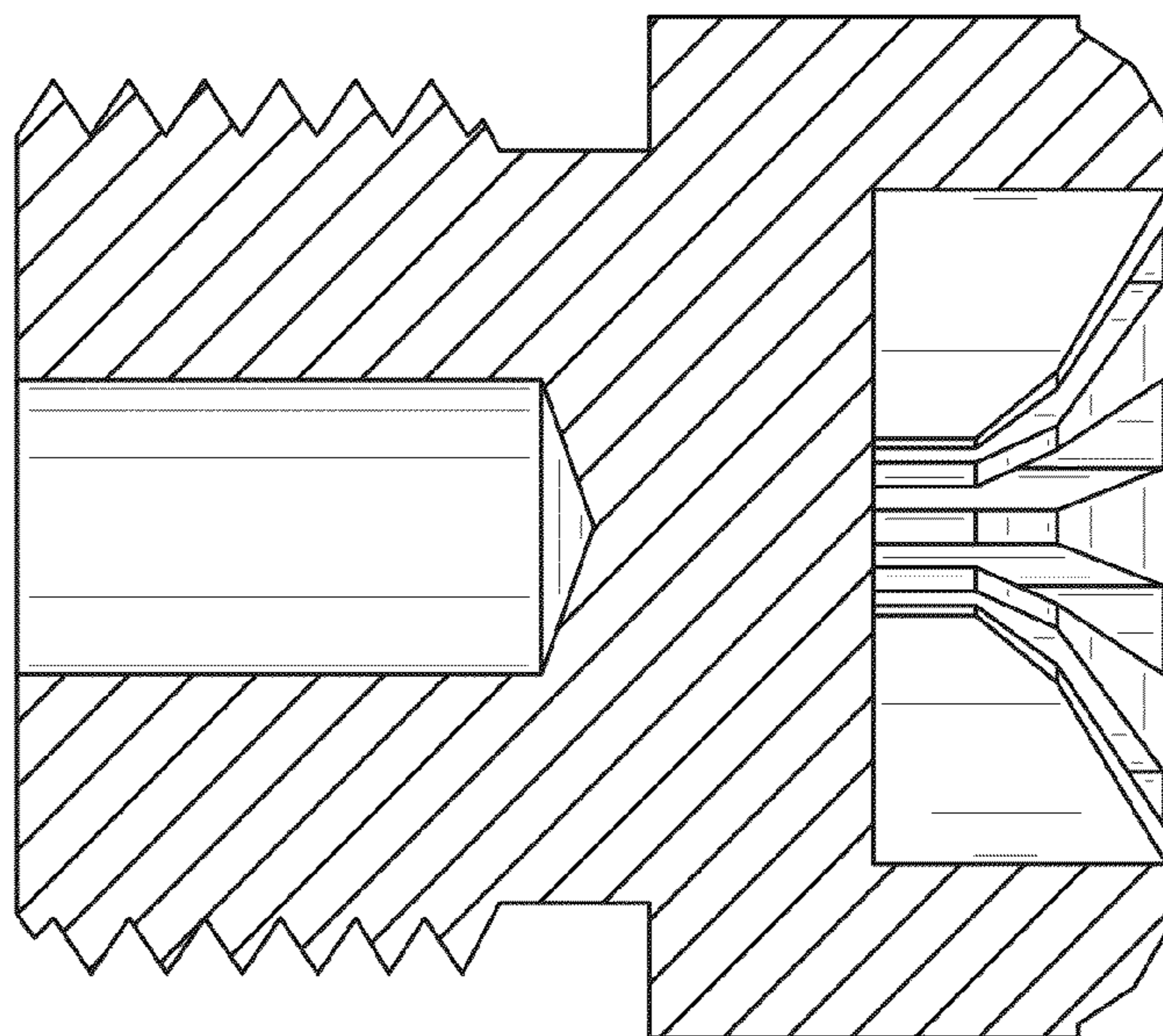


FIG. 8