



US00D713713S

(12) **United States Design Patent**
Symons

(10) **Patent No.:** **US D713,713 S**

(45) **Date of Patent:** **** Sep. 23, 2014**

(54) **CABLE MANAGEMENT SPLITTER**

(71) Applicant: **Dominic Symons**, Wilkie Edge (SG)

(72) Inventor: **Dominic Symons**, Wilkie Edge (SG)

(73) Assignee: **Bluelounge Pte. Ltd.**, Wilkie Edge (SG)

(**) Term: **14 Years**

(21) Appl. No.: **29/478,575**

(22) Filed: **Jan. 7, 2014**

(51) **LOC (10) Cl.** **08-08**

(52) **U.S. Cl.**
USPC **D8/396**

(58) **Field of Classification Search**
USPC D19/65, 86; D24/128; 248/74.2, 215,
248/227.1, 49, 300, 301, 316.7, 51, 489;
24/570, 3.12; D32/61; D11/78.1
See application file for complete search history.

(56) **References Cited**

U.S. PATENT DOCUMENTS

3,319,650	A	5/1967	Peterson	
D212,505	S	10/1968	Guerrero	
D214,906	S *	8/1969	Steinmeyer	D13/173
D270,329	S	8/1983	Hardy	
D302,655	S	8/1989	Sachs	
D329,588	S	9/1992	Michel	
D342,013	S	12/1993	Sachs	
D349,038	S	7/1994	Sachs	
5,443,400	A *	8/1995	Brown et al.	439/650
D387,652	S	12/1997	Carlson	
D389,732	S	1/1998	Weishaar	
D427,897	S	7/2000	Johnston	
D438,510	S *	3/2001	Leen	D13/146
D459,194	S	6/2002	Johansson	
6,497,258	B1	12/2002	Flannery	
D468,699	S	1/2003	Bjorklund	
D482,269	S	11/2003	Martello	
D515,409	S	2/2006	Sorrentino	
7,244,145	B2	7/2007	Johnsen	

D575,143	S	8/2008	Kuo	
D599,778	S *	9/2009	Ando	D14/205
D604,253	S *	11/2009	Andre et al.	D13/154
7,717,738	B2	5/2010	Mabry	
D625,985	S	10/2010	Mori	

(Continued)

FOREIGN PATENT DOCUMENTS

EP 1816099 8/2007

OTHER PUBLICATIONS

amazon.com, Jan. 6, 2014, Internet printout: <http://www.amazon.com/Amico-Adhesive-Backed-Adjustable-Clamps/dp/B005MN2QHK>.

(Continued)

Primary Examiner — John Windmuller
(74) *Attorney, Agent, or Firm* — Todd R. Miller

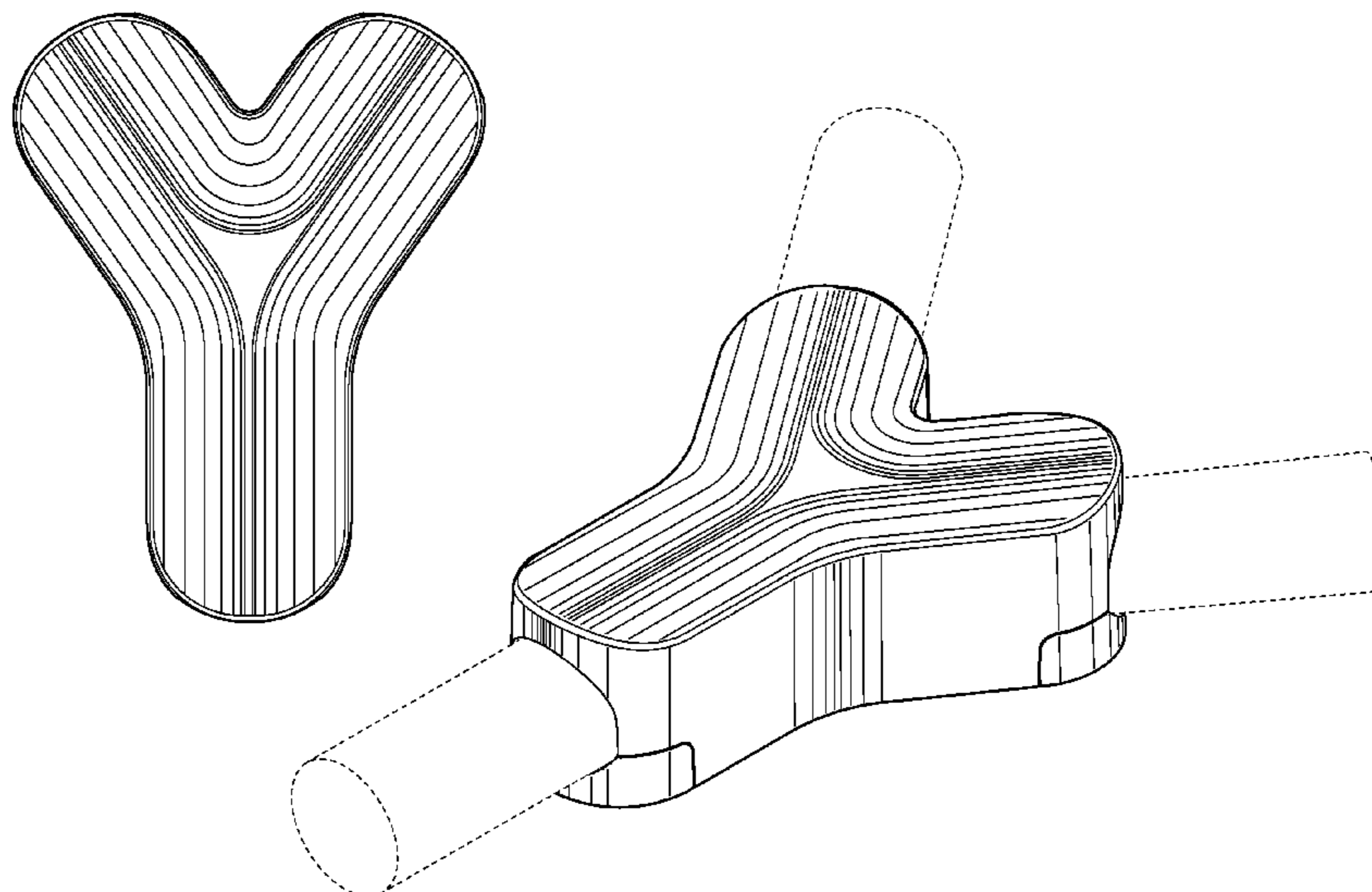
(57) **CLAIM**

The ornamental design for a cable management splitter, as shown and described.

DESCRIPTION

FIG. 1 is a perspective view of a cable management splitter showing my new design;
FIG. 2 is an exploded side view thereof, illustrating the design has two separate parts;
FIG. 3 is a front view thereof;
FIG. 4 is a top view thereof; and,
FIG. 5 is a perspective view thereof in use with an optional cable tubes with elements in dashed lines forming no part of the claimed design.
The broken lines in FIGS. 1-3 depict portions of the clip that form no part of the claimed design. The broken lines in FIG. 5 depict environment that forms no part of the claimed design. The design is not claimed in the separated orientation shown in FIG. 2.

1 Claim, 5 Drawing Sheets



(56)

References Cited

U.S. PATENT DOCUMENTS

D651,180 S * 12/2011 Lee et al. D13/154
8,128,126 B2 * 3/2012 Poupore et al. 285/131.1
D675,505 S 2/2013 Rothbaum
D675,903 S 2/2013 Rothbaum
D678,198 S * 3/2013 Izen et al. D13/133
8,398,424 B1 3/2013 Vasavda
D679,581 S 4/2013 Liu
D689,440 S * 9/2013 Lee et al. D13/153
2013/0097816 A1 4/2013 Rothbaum
2013/0305495 A1 11/2013 Umemoto

OTHER PUBLICATIONS

customaccents.com, Jan. 6, 2014, Internet printout: <http://www.customaccents.com/index.php/products/wire-management/round-leg/>.
leinuoer.com, Jan. 6, 2014, Internet printout: <http://www.leinuoer.com/en/LNE-Y.asp>.
summit.com, Jan. 6, 2014, Internet printout: <https://www.summit.com/blog/new-wire-management-solutions-from-ilSCO>.
te.com, Jan. 6, 2014, Internet printout: <http://www.te.com/ns/enterprise/anz/cat/detail.asp?strProductNumber=6450%202%20016-00&strSol=Cable%20Management%20Solutions>.

* cited by examiner

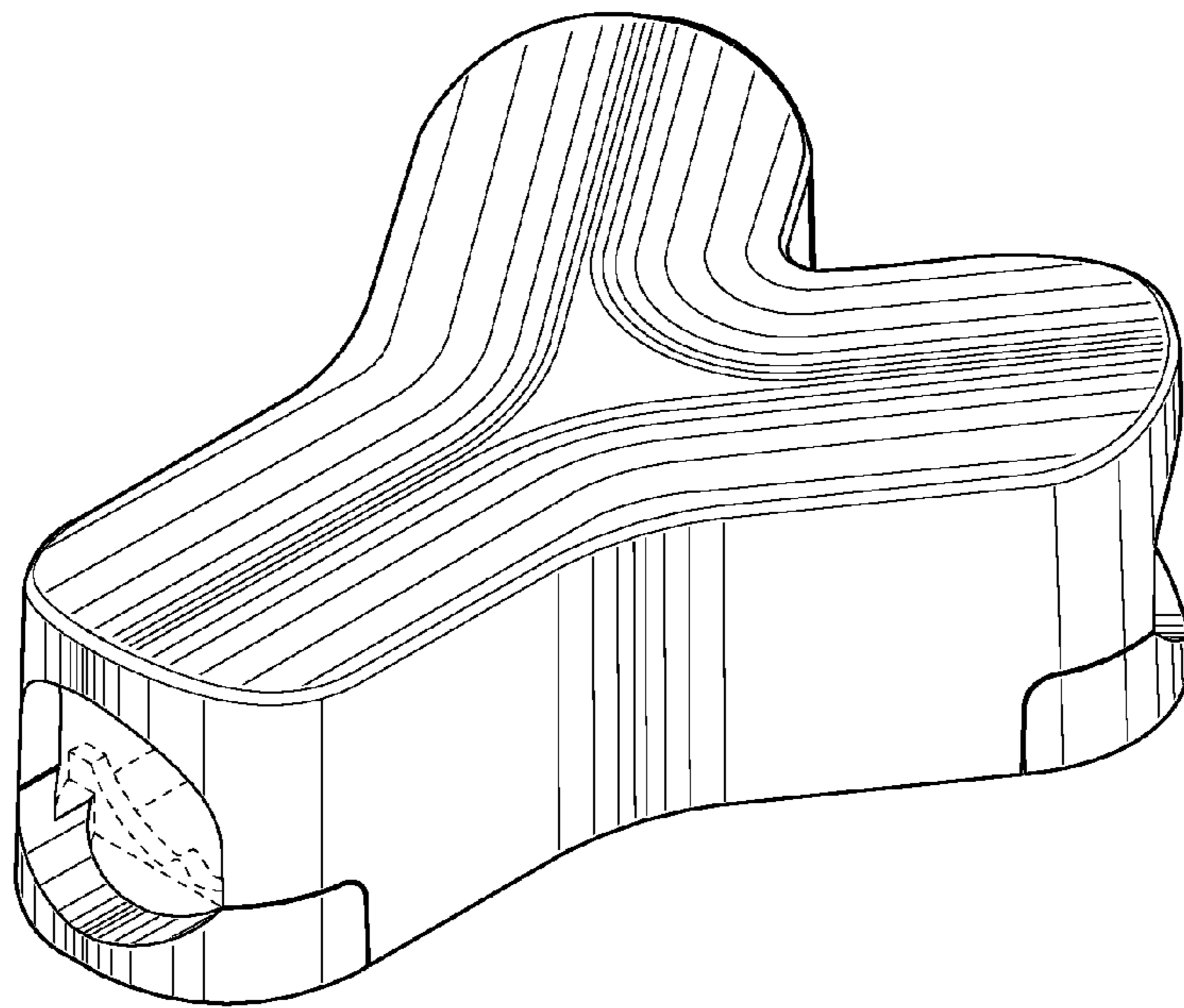


FIG. 1

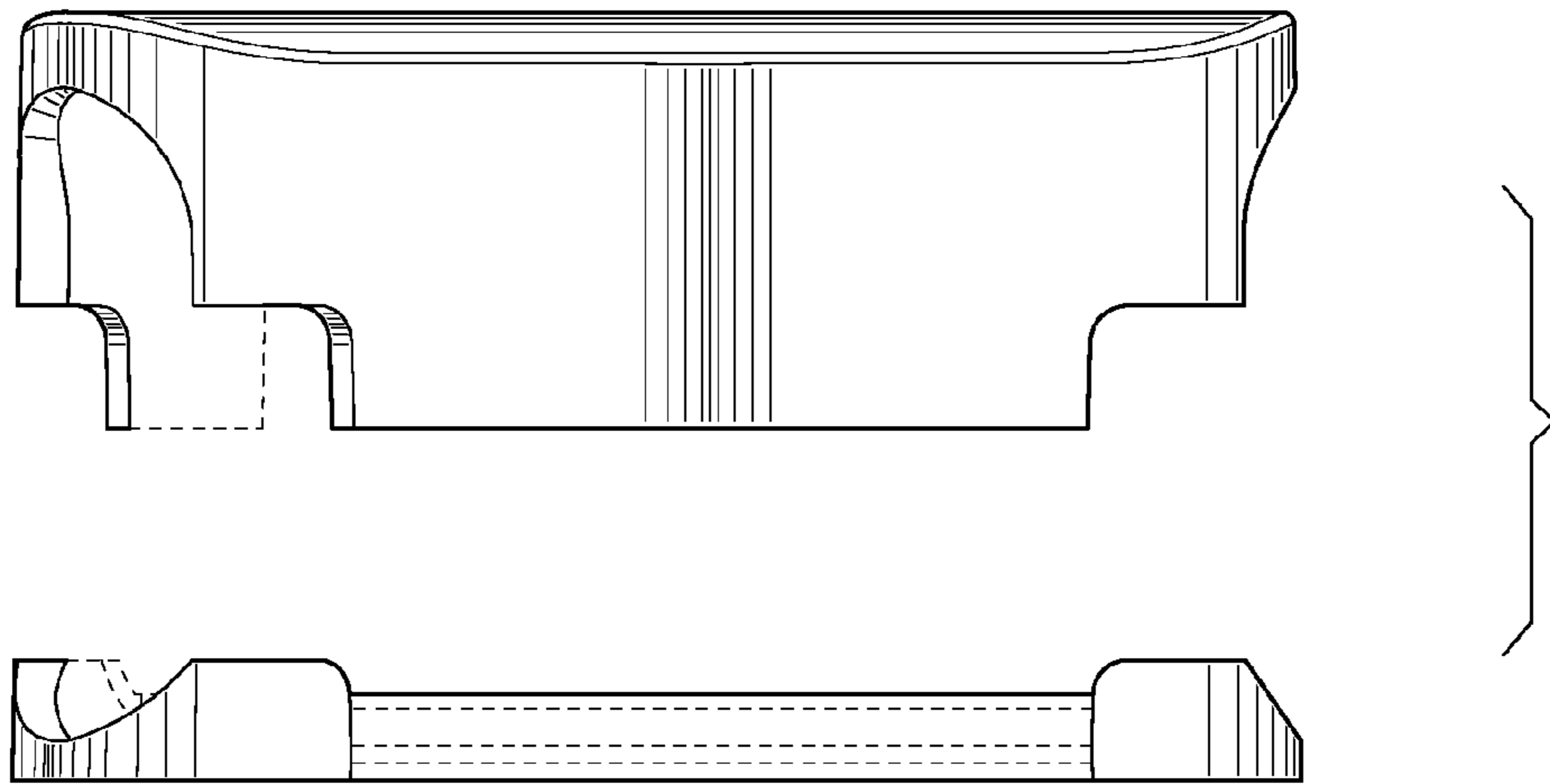


FIG. 2

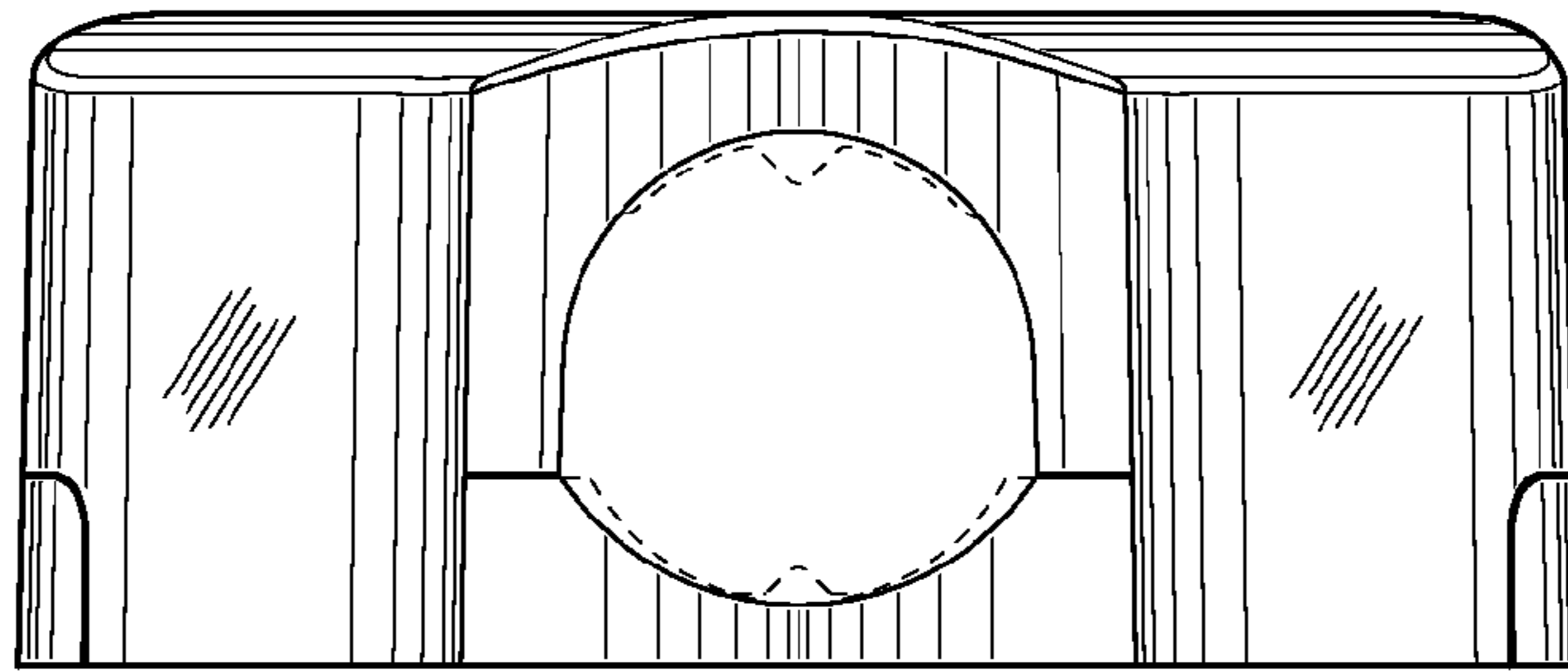


FIG. 3

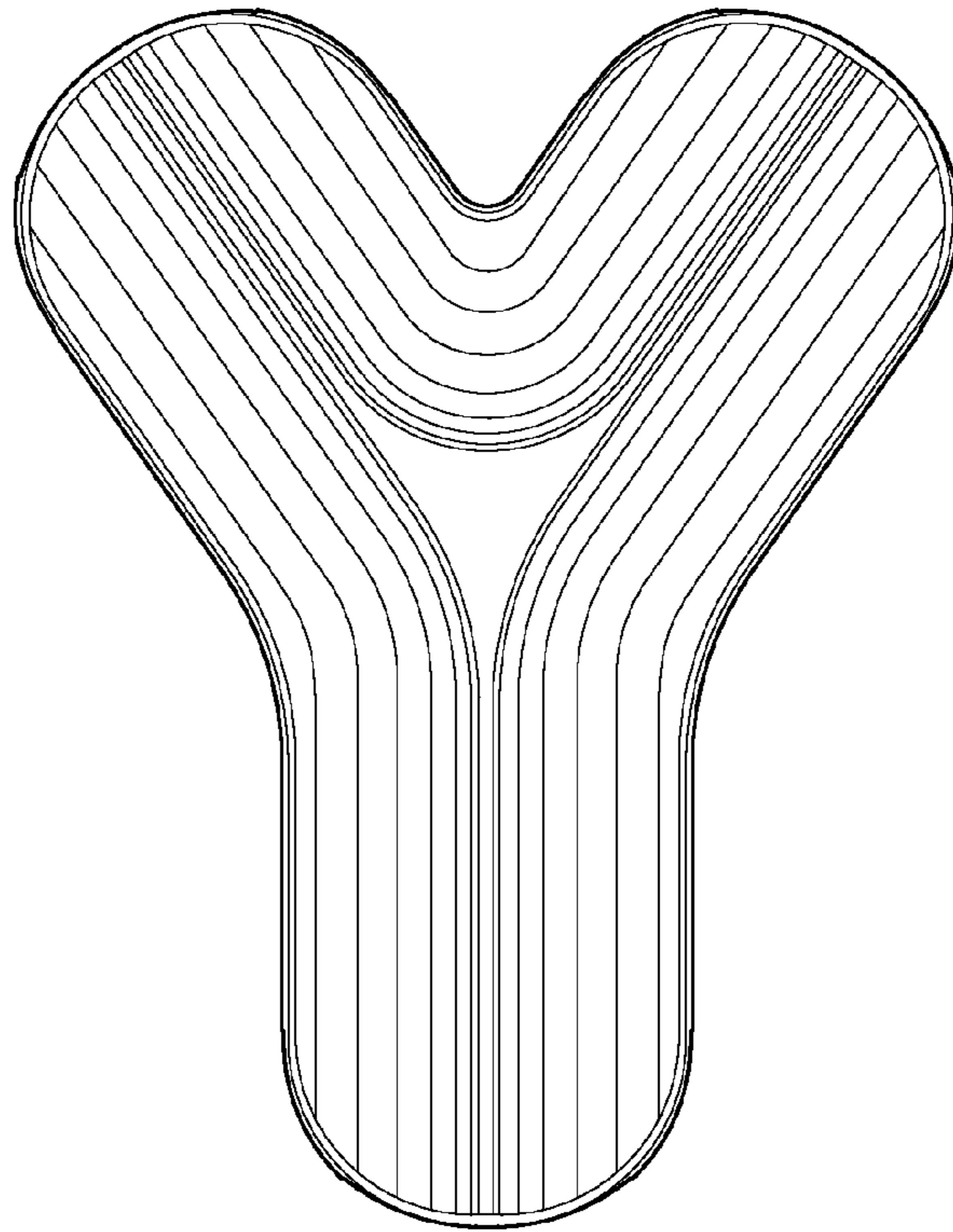


FIG. 4

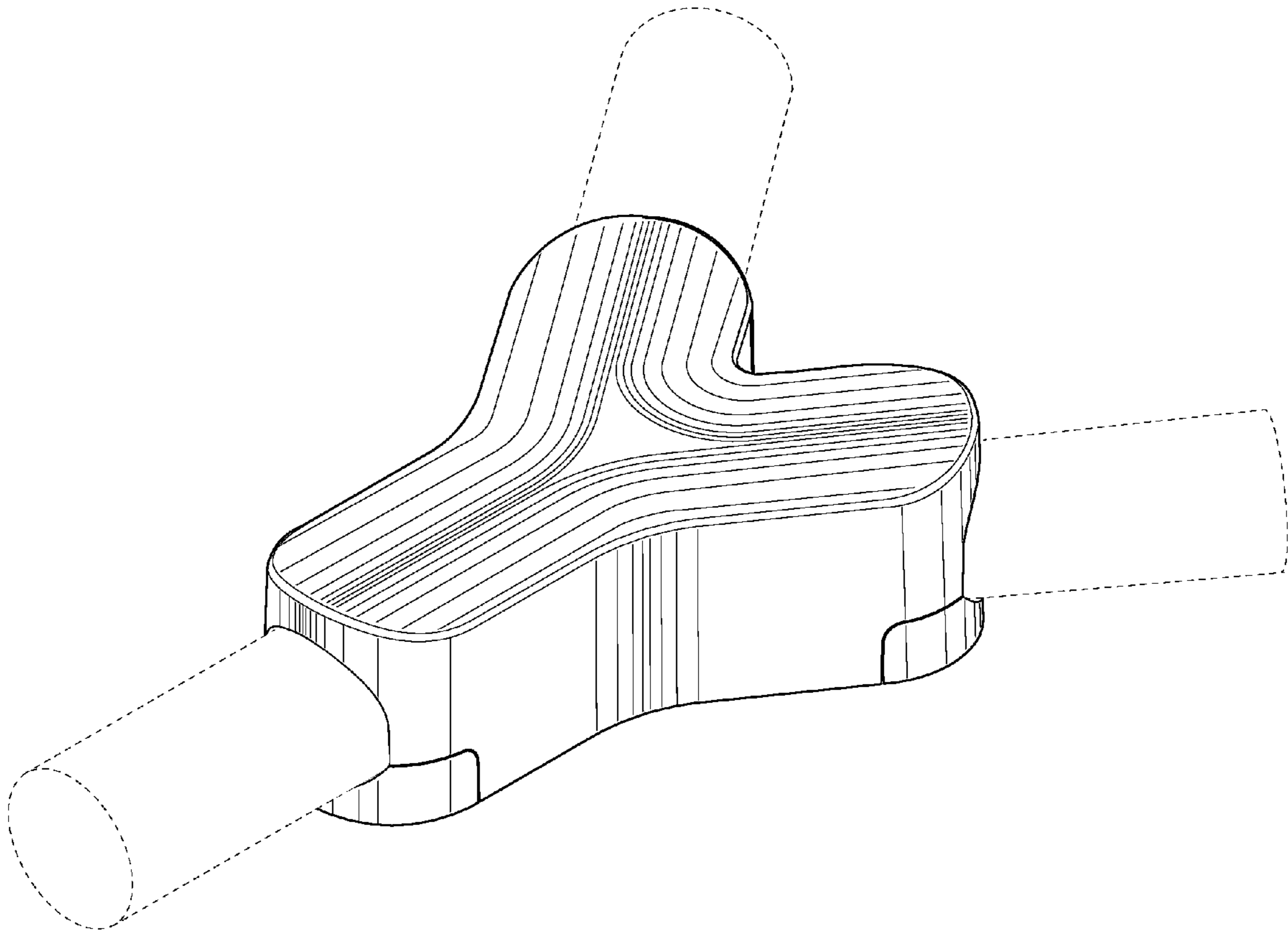


FIG. 5