



US00D713712S

(12) **United States Design Patent**
Beverluis

(10) **Patent No.:** **US D713,712 S**

(45) **Date of Patent:** **** Sep. 23, 2014**

(54) **COMBINATION TUBE HOLDER AND CARABINER**

2006/0039740 A1 2/2006 Mackay

* cited by examiner

(76) Inventor: **Gabriel Beverluis**, Grand Rapids, MI (US)

Primary Examiner — Ian Simmons

Assistant Examiner — Harold Blackwell, II

(**) Term: **14 Years**

(74) *Attorney, Agent, or Firm* — Price Heneveld LLP

(21) Appl. No.: **29/417,387**

(57) **CLAIM**

I claim the ornamental design for combination tube holder and carabiner, as shown and described.

(22) Filed: **Apr. 3, 2012**

DESCRIPTION

(51) **LOC (10) Cl.** **08-08**

(52) **U.S. Cl.**

USPC **D8/396**

(58) **Field of Classification Search**

USPC D3/215, 207–212, 228, 229, 203;
D7/633; 224/269, 270, 251; 222/175;
D8/396

See application file for complete search history.

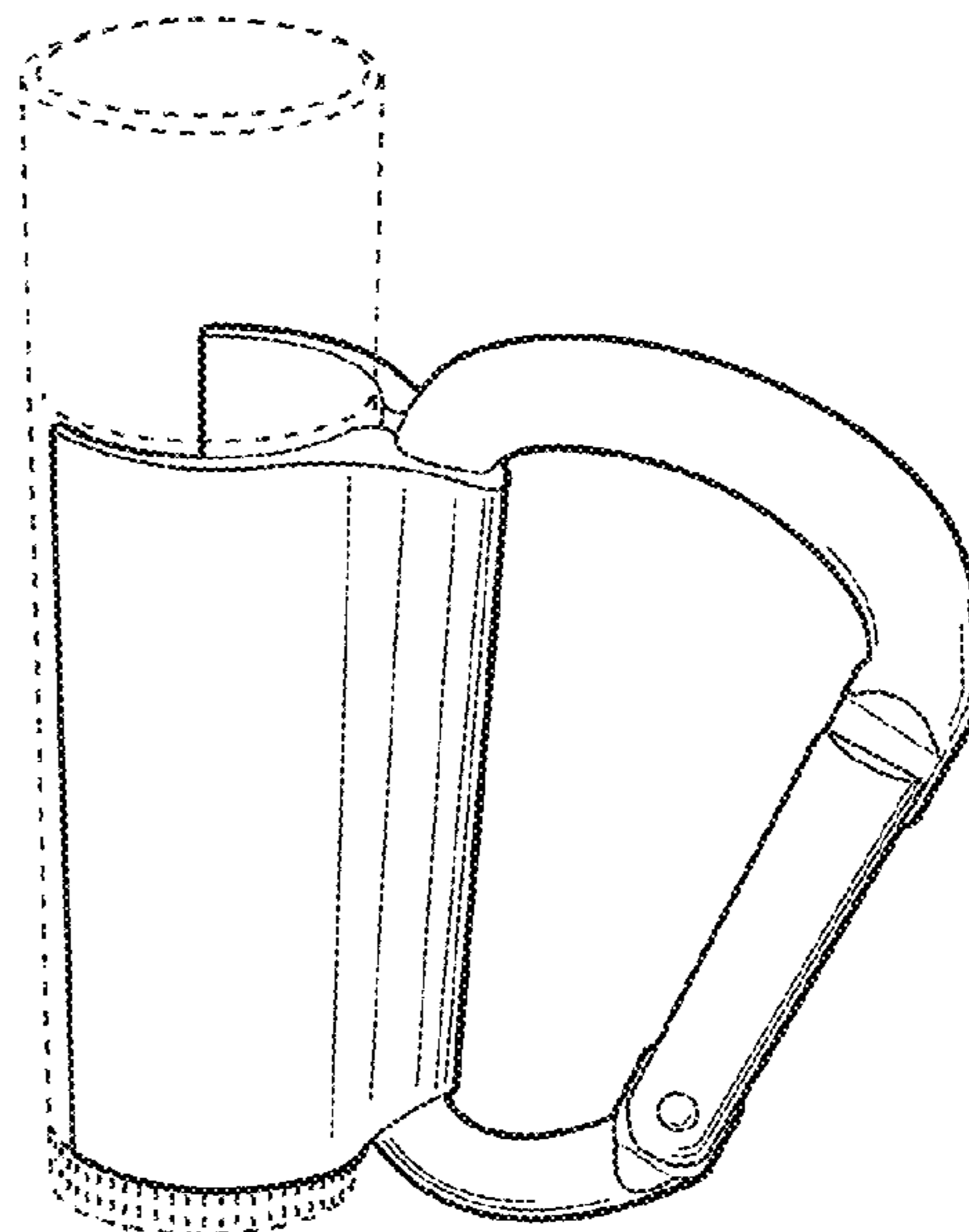
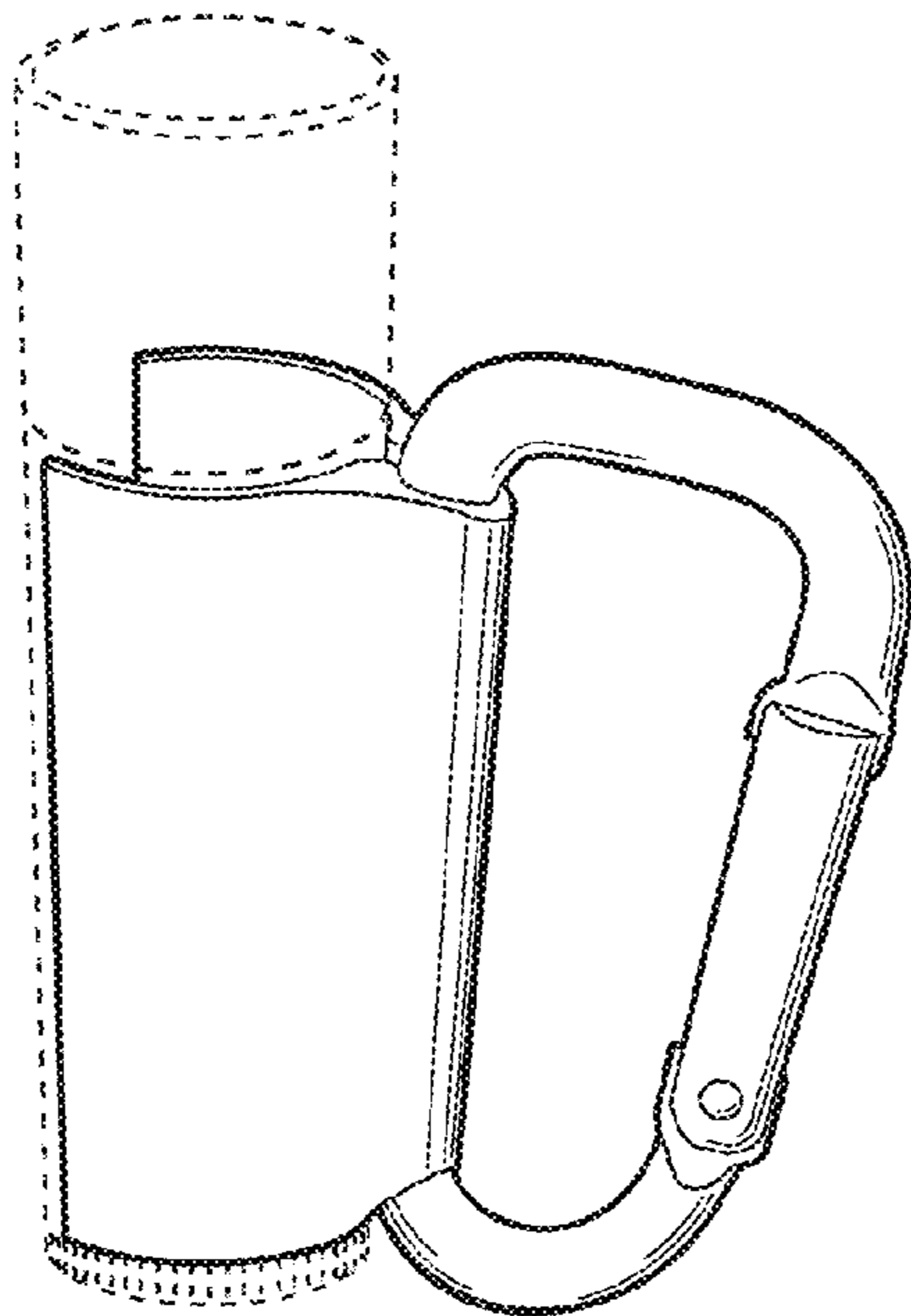
(56) **References Cited**

U.S. PATENT DOCUMENTS

D345,052	S	*	3/1994	Stokke et al.	D3/228
5,379,928	A	*	1/1995	Mikkelsen		
5,836,055	A	*	11/1998	Cooper	24/339
D464,793	S	*	10/2002	Anderton	D3/215
D471,316	S	*	3/2003	Budde	D27/161
D495,875	S	*	9/2004	Spence, Jr.	D3/229
D502,311	S	*	3/2005	Ellis	D3/215
D503,739	S	*	4/2005	Goldberg	D19/36
D508,523	S	*	8/2005	Goldberg	D19/36
D508,524	S	*	8/2005	Goldberg	D19/36
D508,525	S	*	8/2005	Goldberg	D19/36
D526,775	S	*	8/2006	Anderton	D3/215
D528,290	S	*	9/2006	Anderton	D3/215
D563,096	S	*	3/2008	Ivey	D3/205
D648,891	S	*	11/2011	Heger	D27/161
D700,396	S	*	2/2014	Ahmet	D27/161
2004/0250386	A1		12/2004	Goldberg		

FIG. 1 is a perspective view of the combination tube holder and carabiner showing my new design;
 FIG. 2 is a front view thereof;
 FIG. 3 is a side view thereof;
 FIG. 4 is a back plan view thereof;
 FIG. 5 is a top plan view thereof;
 FIG. 6 is a bottom plan view thereof;
 FIG. 7 is a perspective view of the second embodiment combination tube holder and carabiner showing my new design;
 FIG. 8 is a front view thereof;
 FIG. 9 is a side view thereof;
 FIG. 10 is a back plan view thereof;
 FIG. 11 is a top plan view thereof;
 FIG. 12 is a bottom plan view thereof;
 FIG. 13 is a perspective view of the third embodiment combination tube holder and carabiner showing my new design;
 FIG. 14 is a front view thereof;
 FIG. 15 is a side view thereof;
 FIG. 16 is a back plan view thereof;
 FIG. 17 is a top plan view thereof; and,
 FIG. 18 is a bottom plan view thereof.
 The broken lines are for the purposes of illustrating environmental structure and form no part of the claimed design.

1 Claim, 3 Drawing Sheets



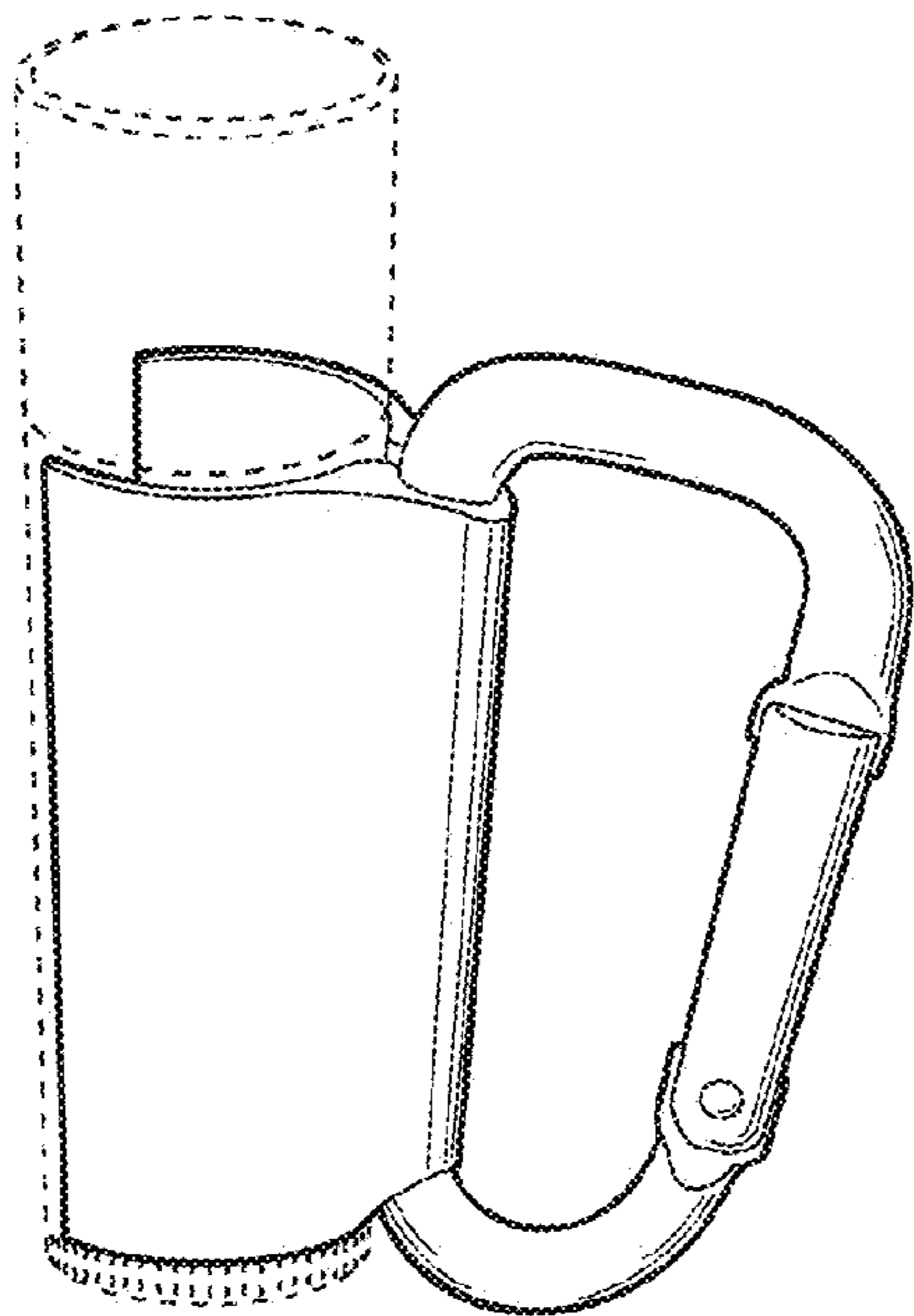


Fig. 1

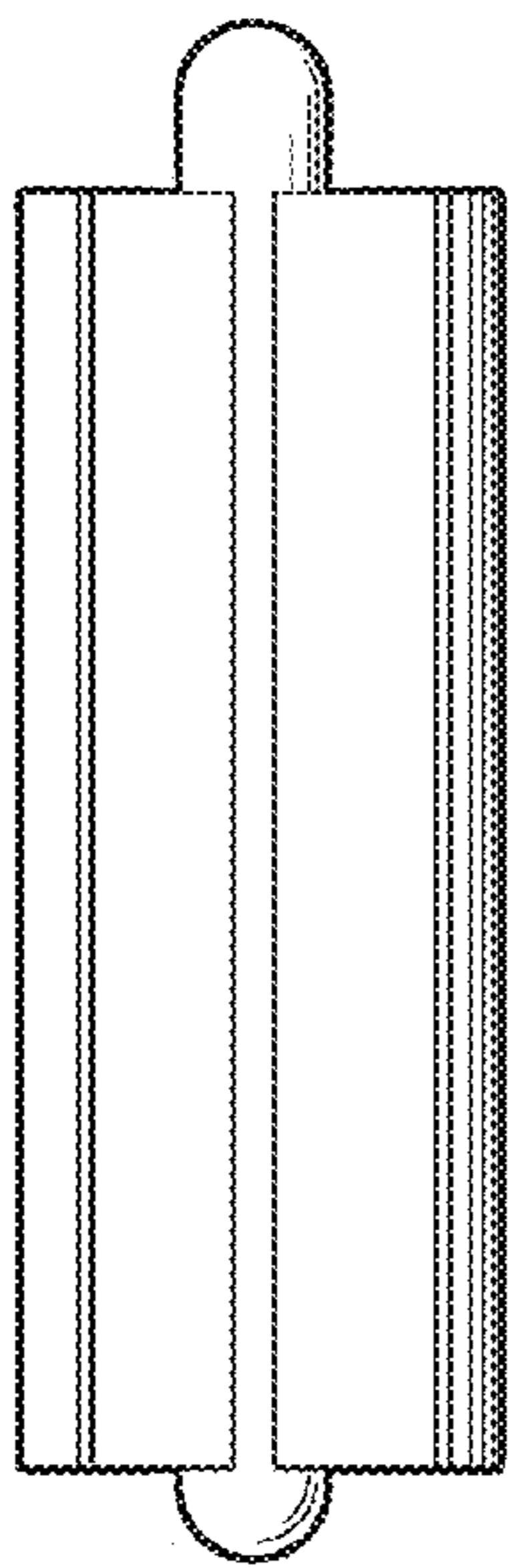


Fig. 3

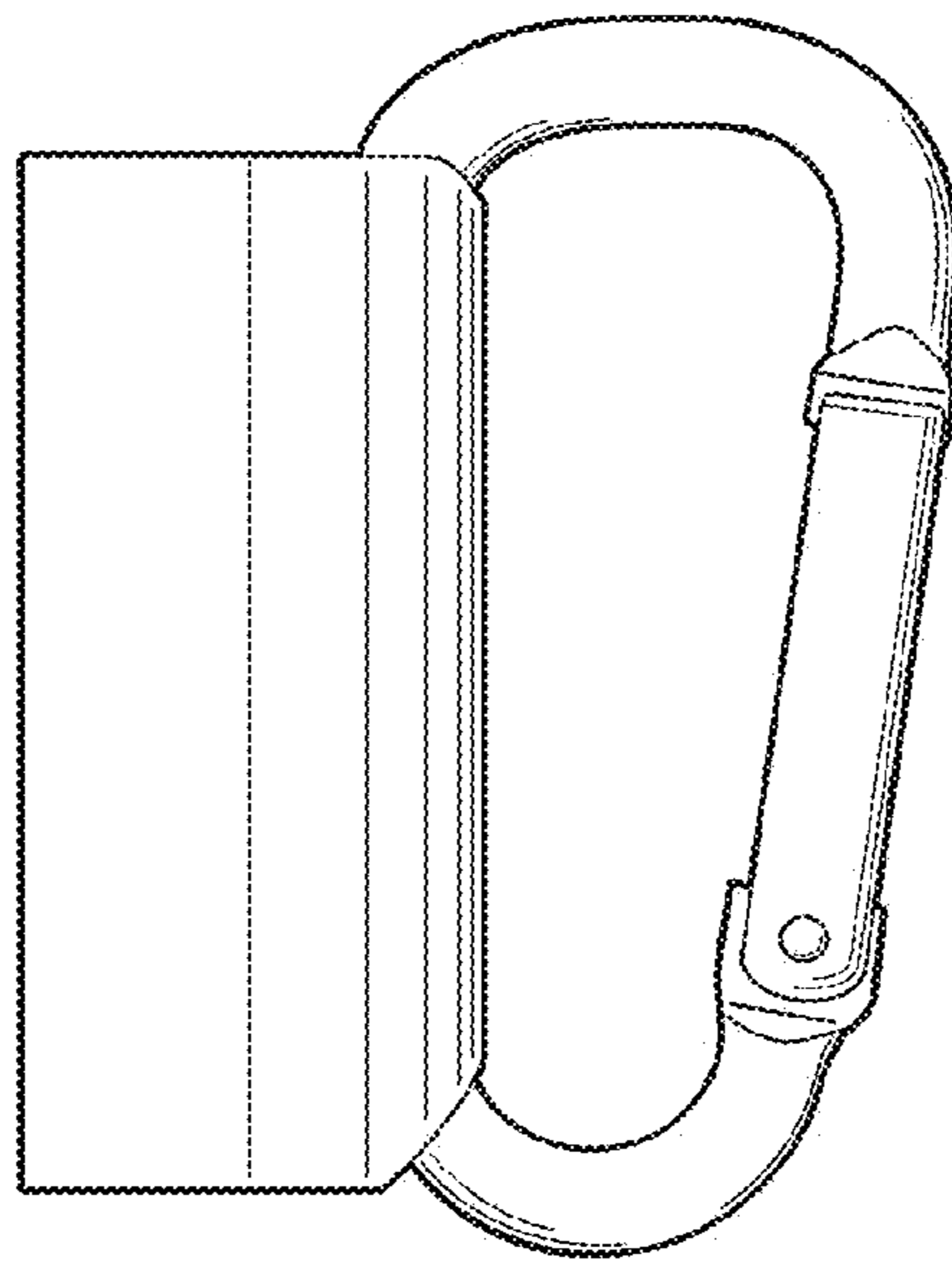


Fig. 2

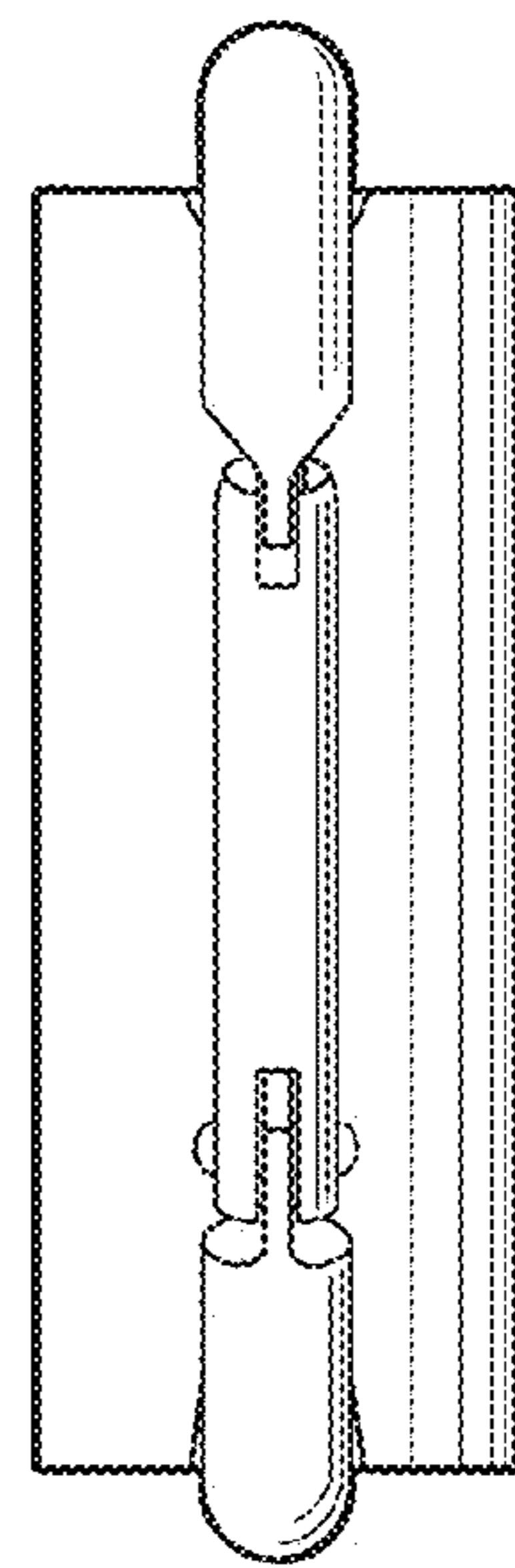


Fig. 4

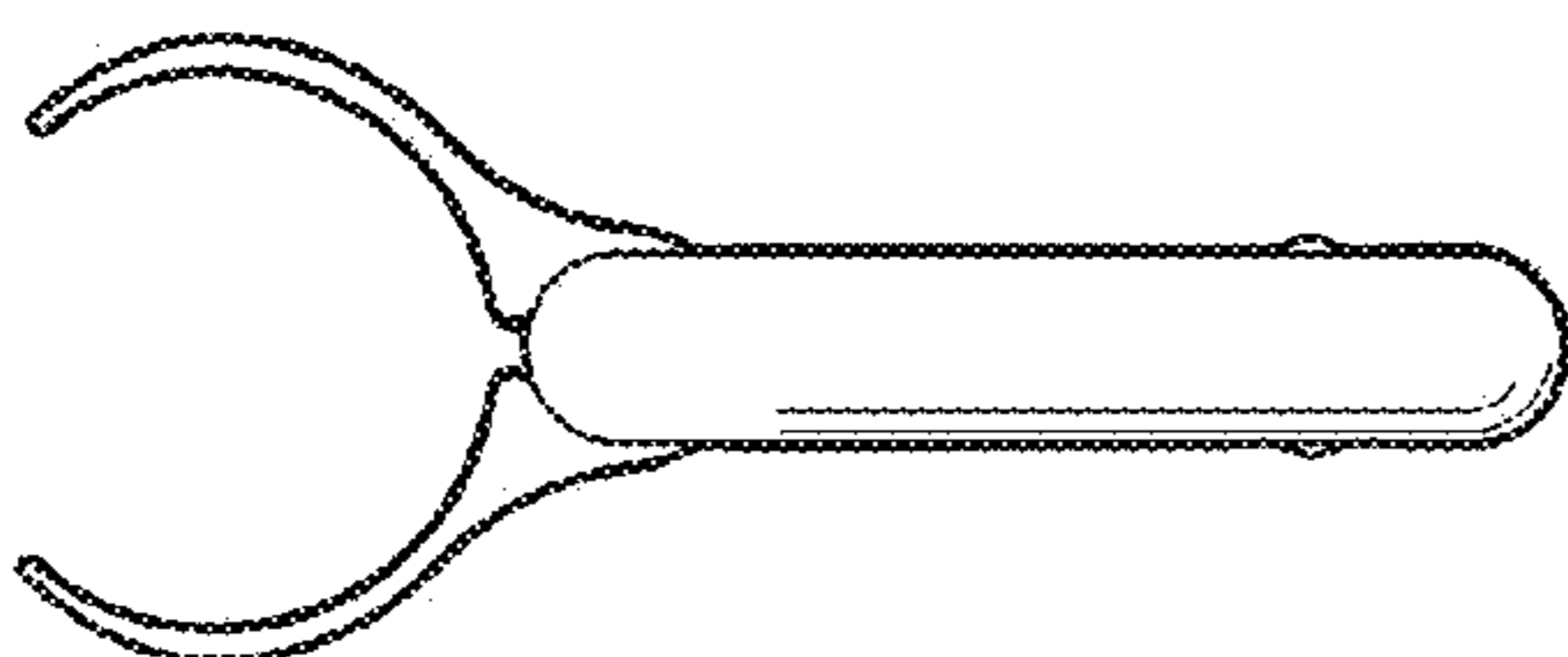


Fig. 5

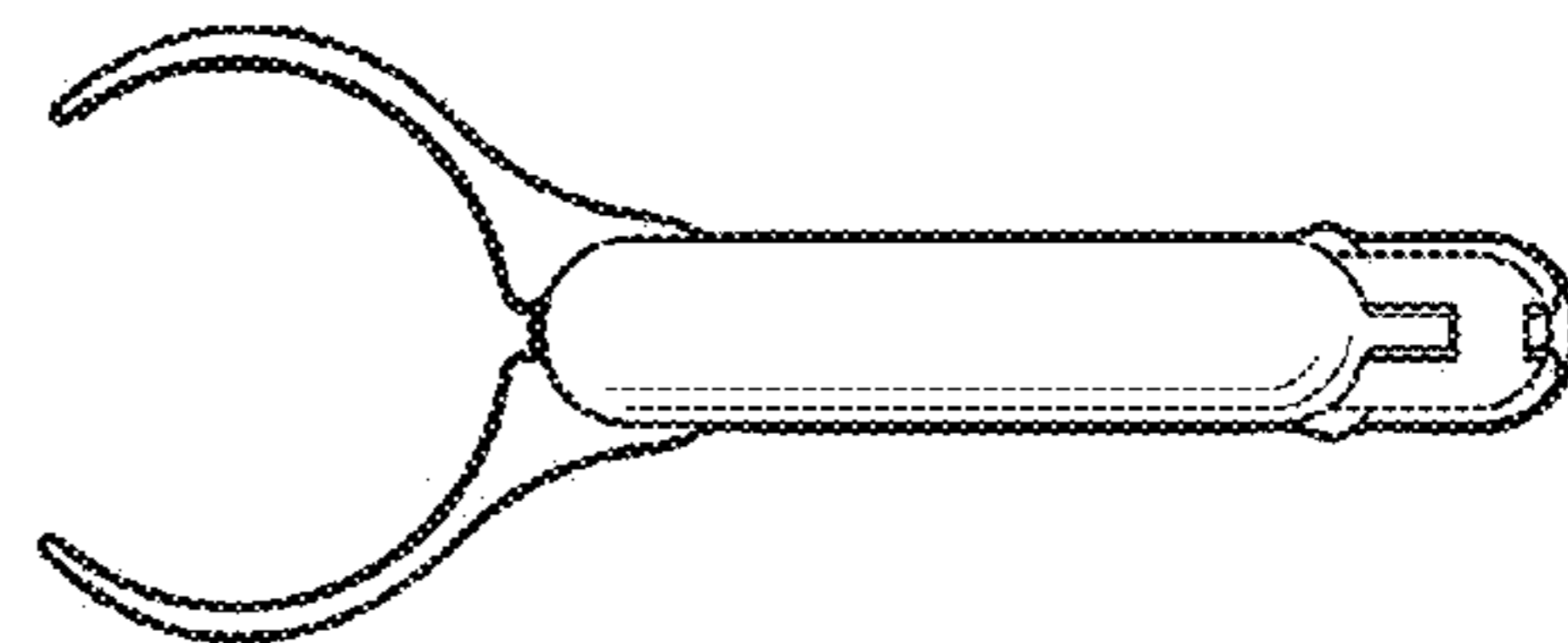


Fig. 6

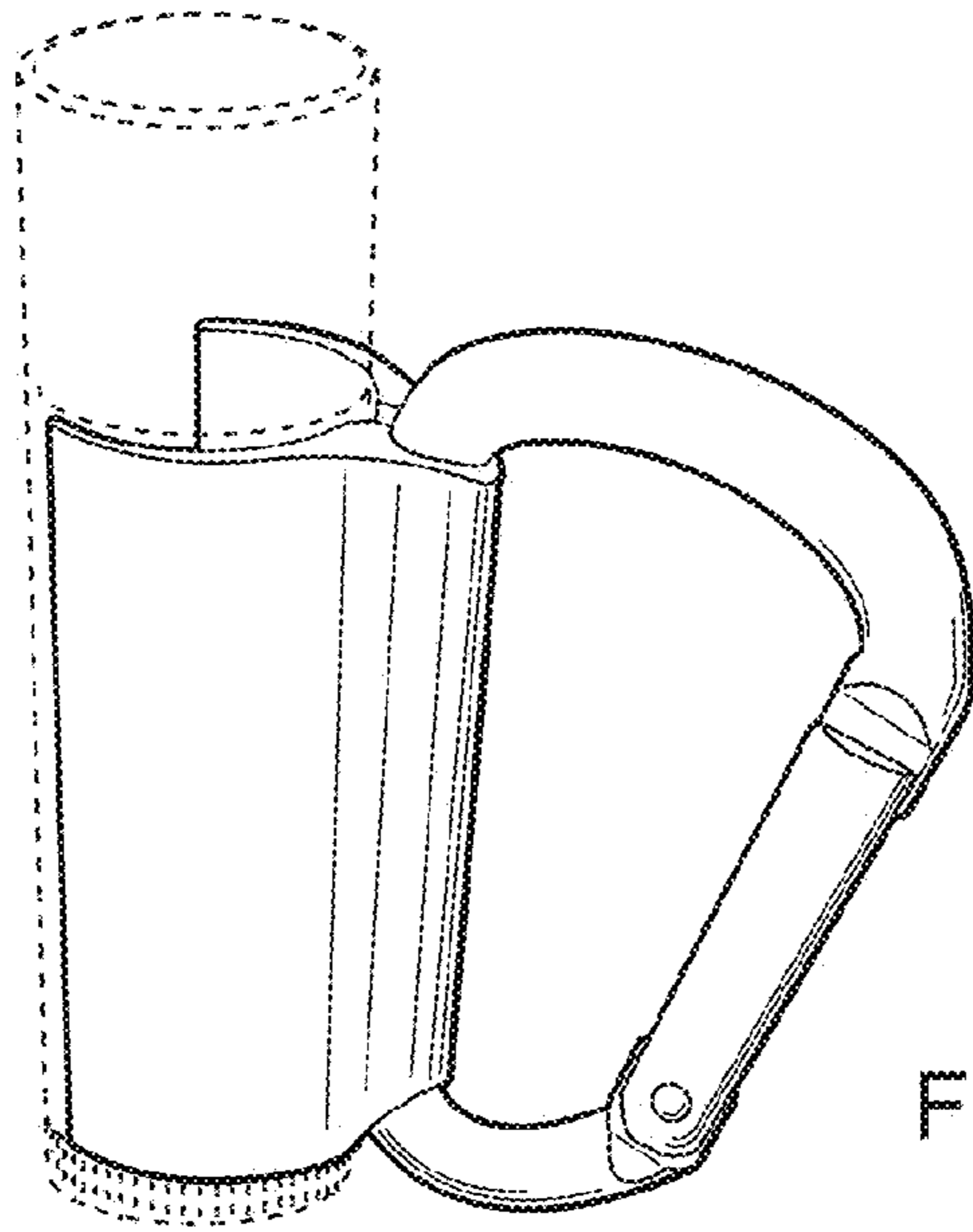


Fig. 7

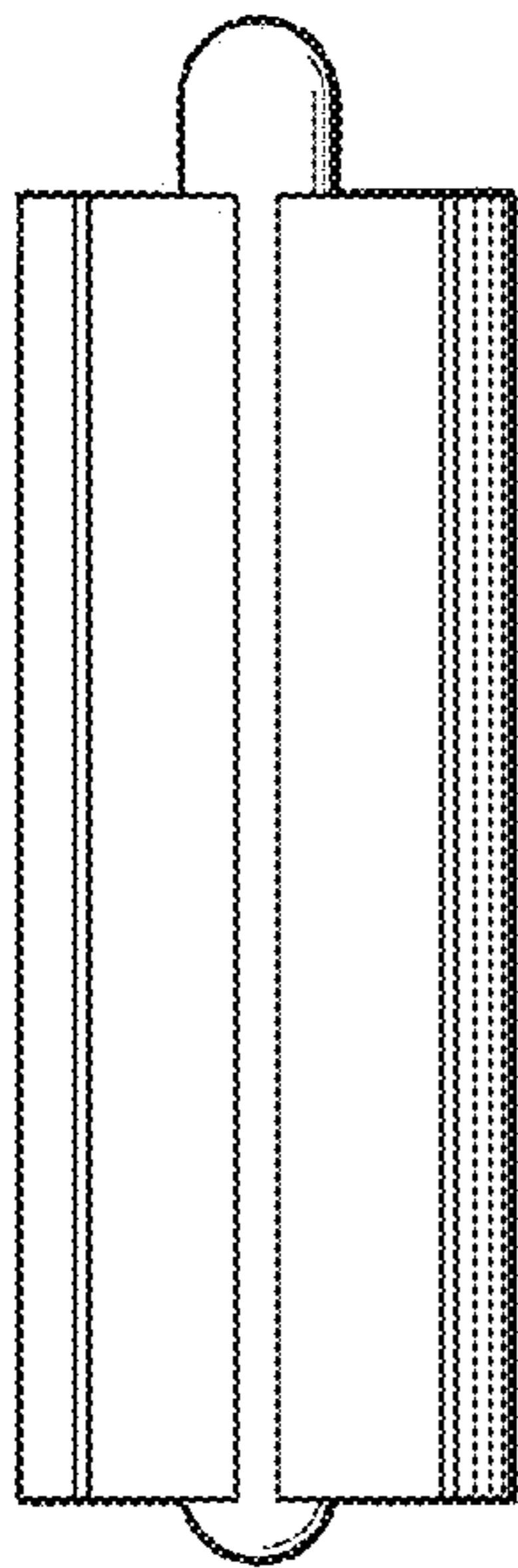


Fig. 9

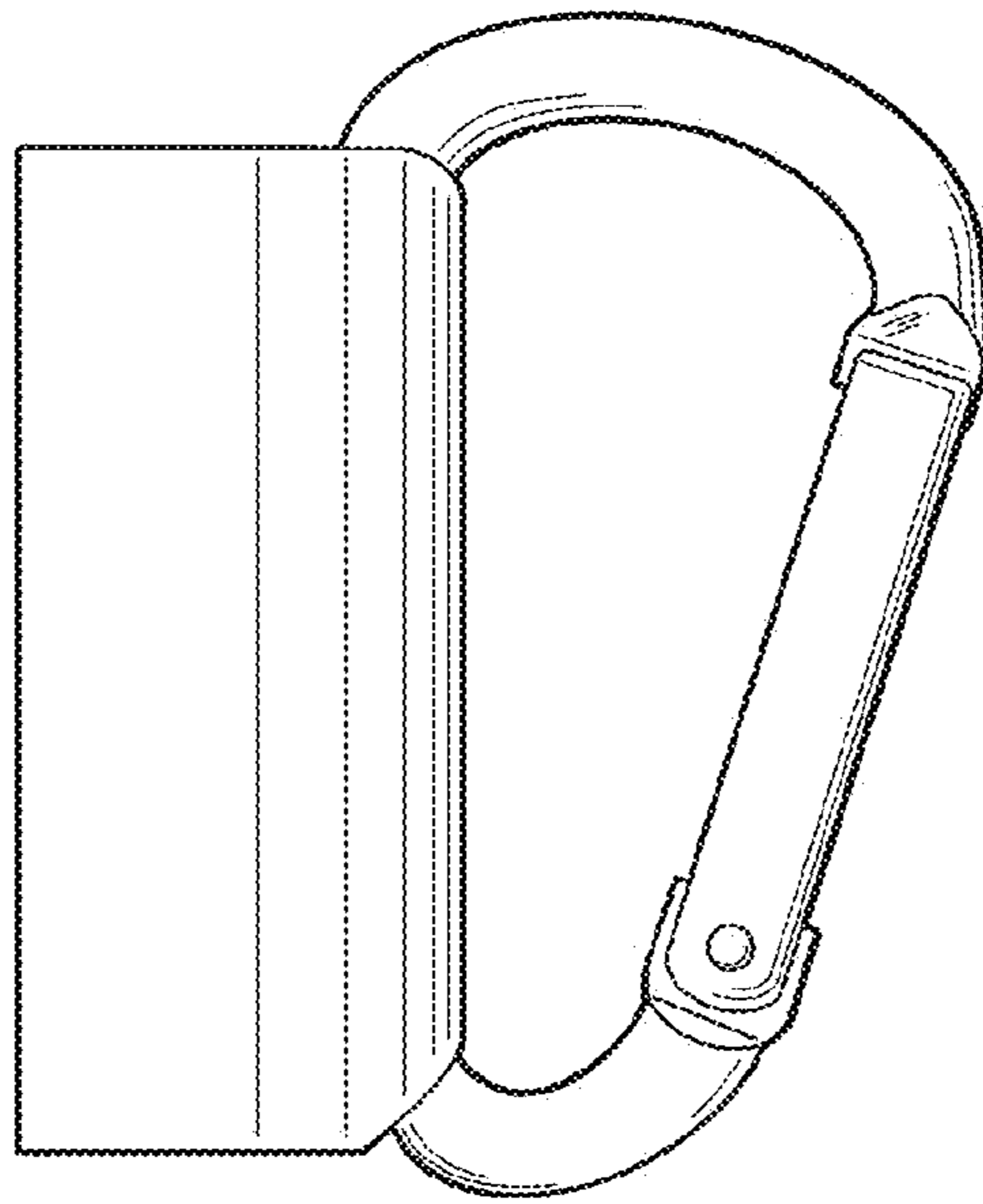


Fig. 8

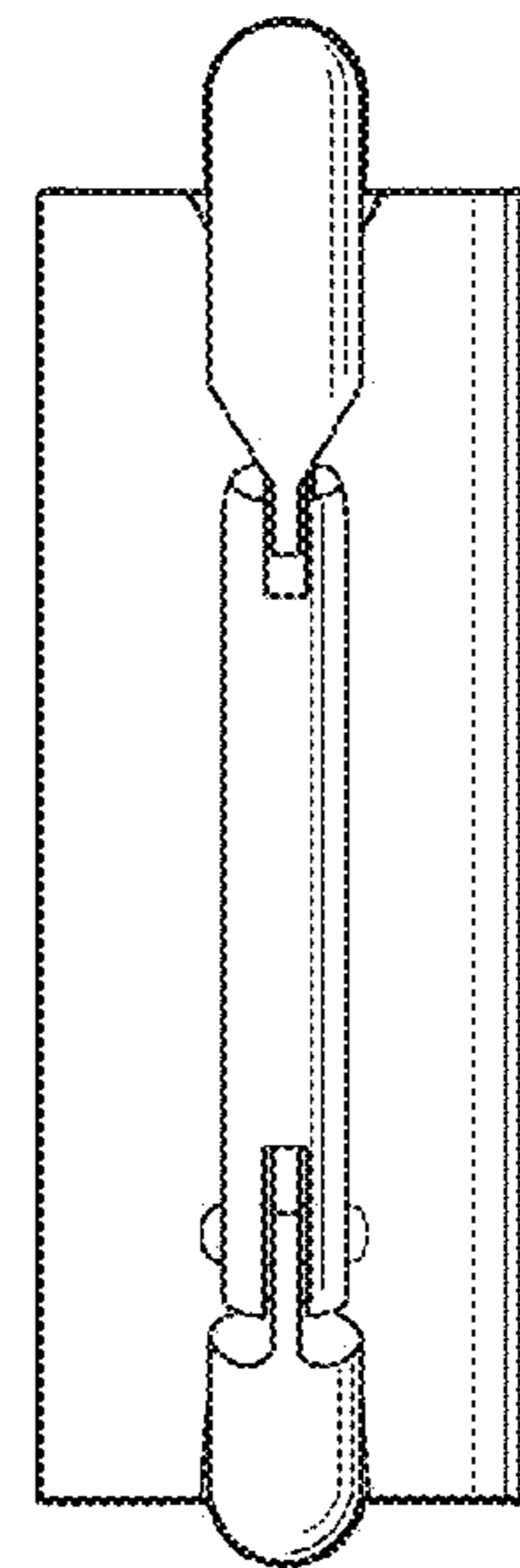


Fig. 10

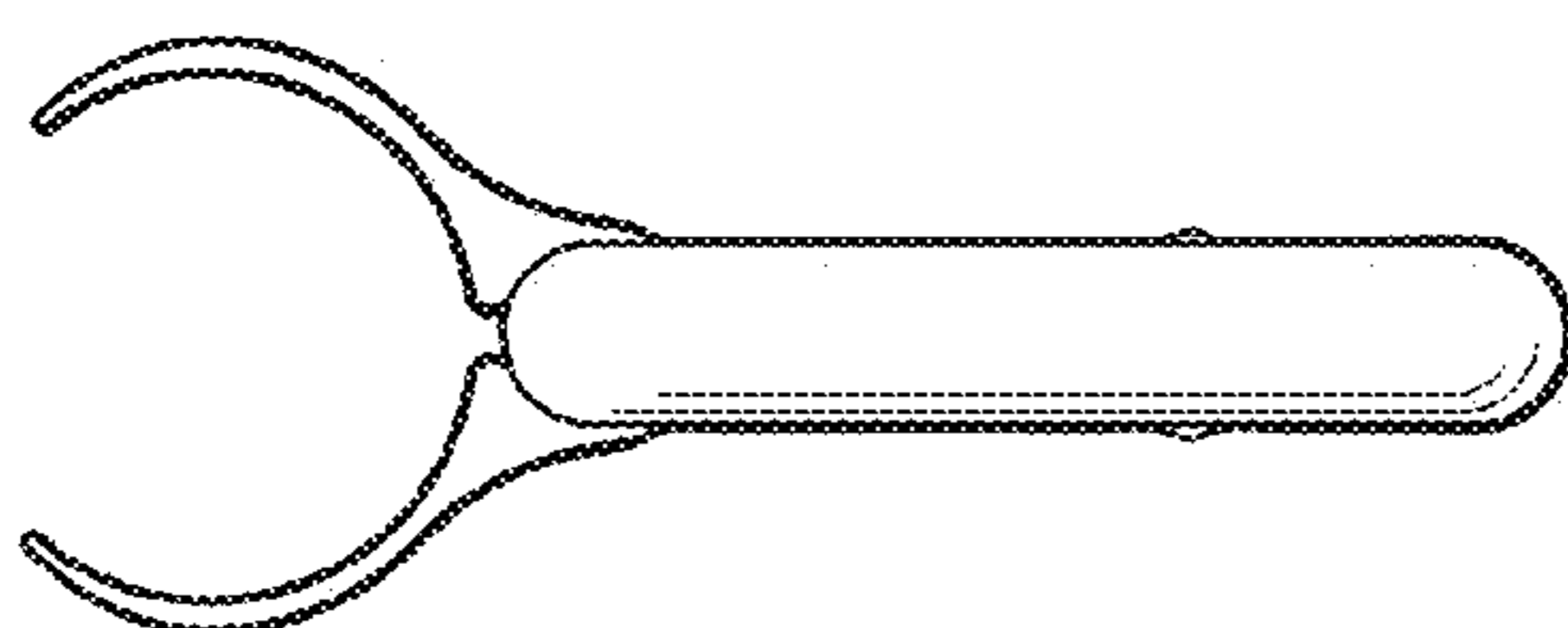


Fig. 11

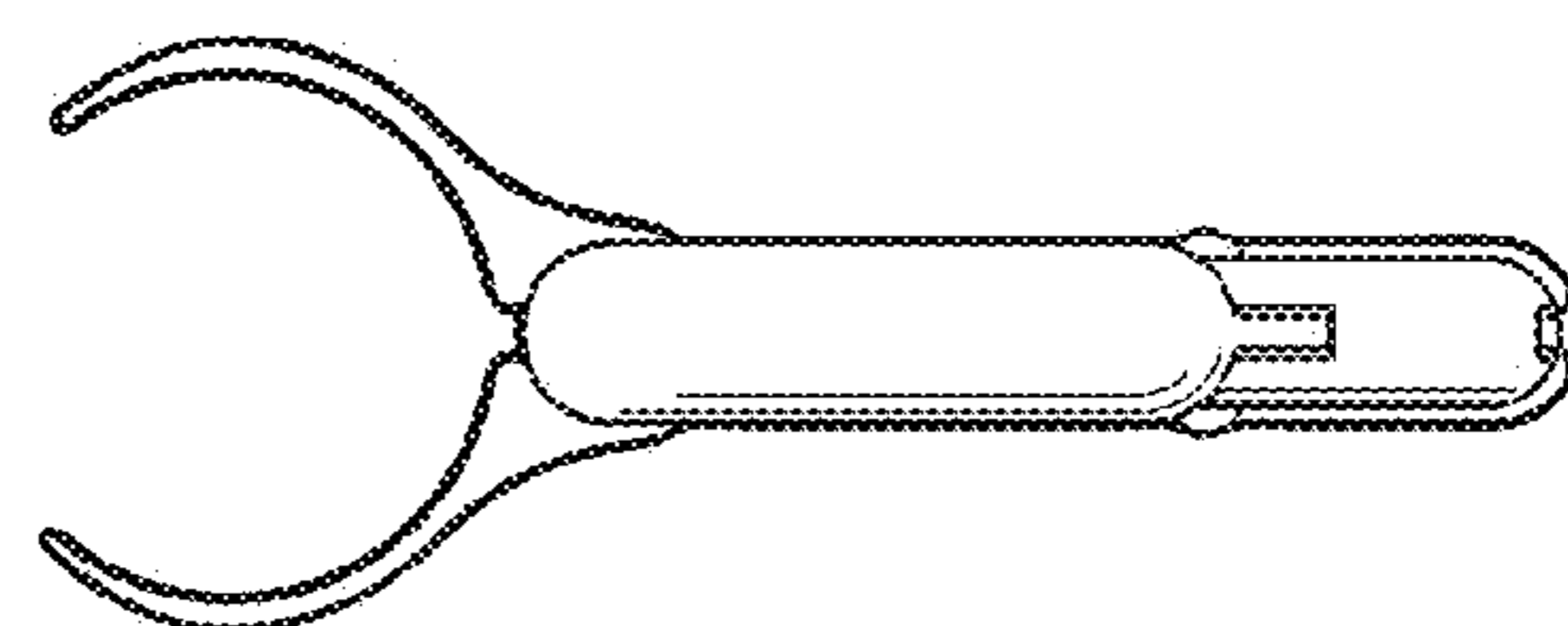


Fig. 12

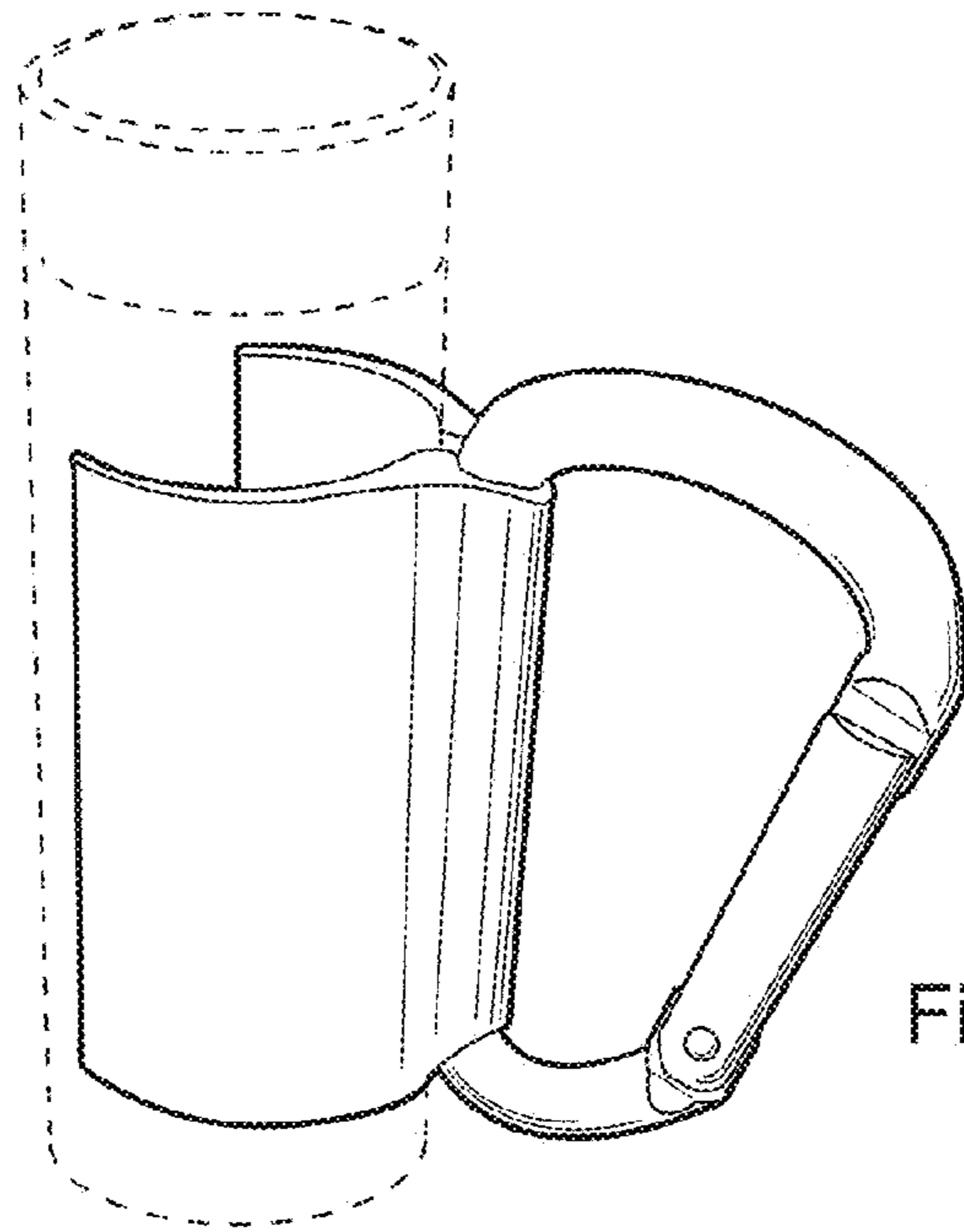


Fig. 13

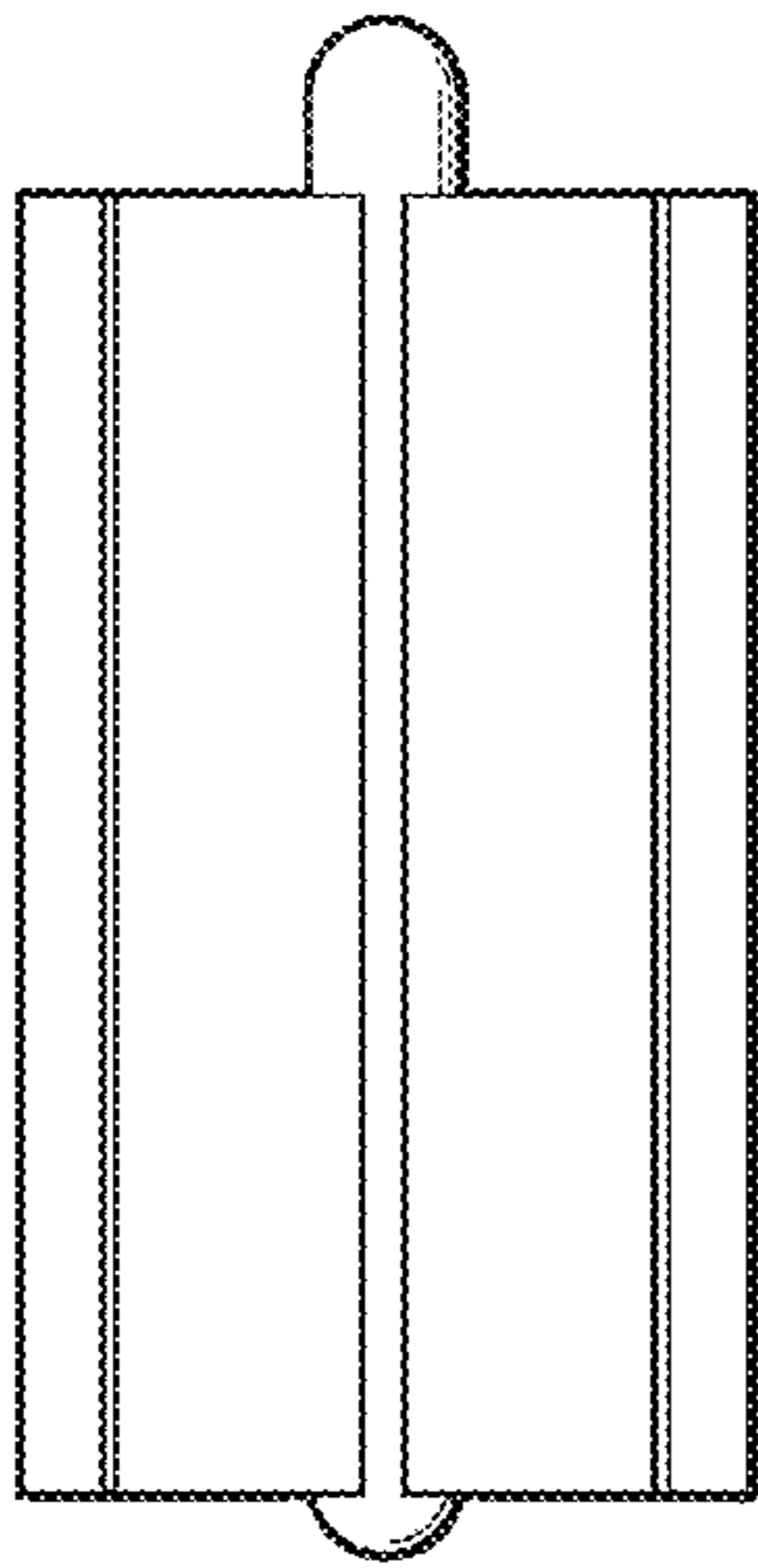


Fig. 15

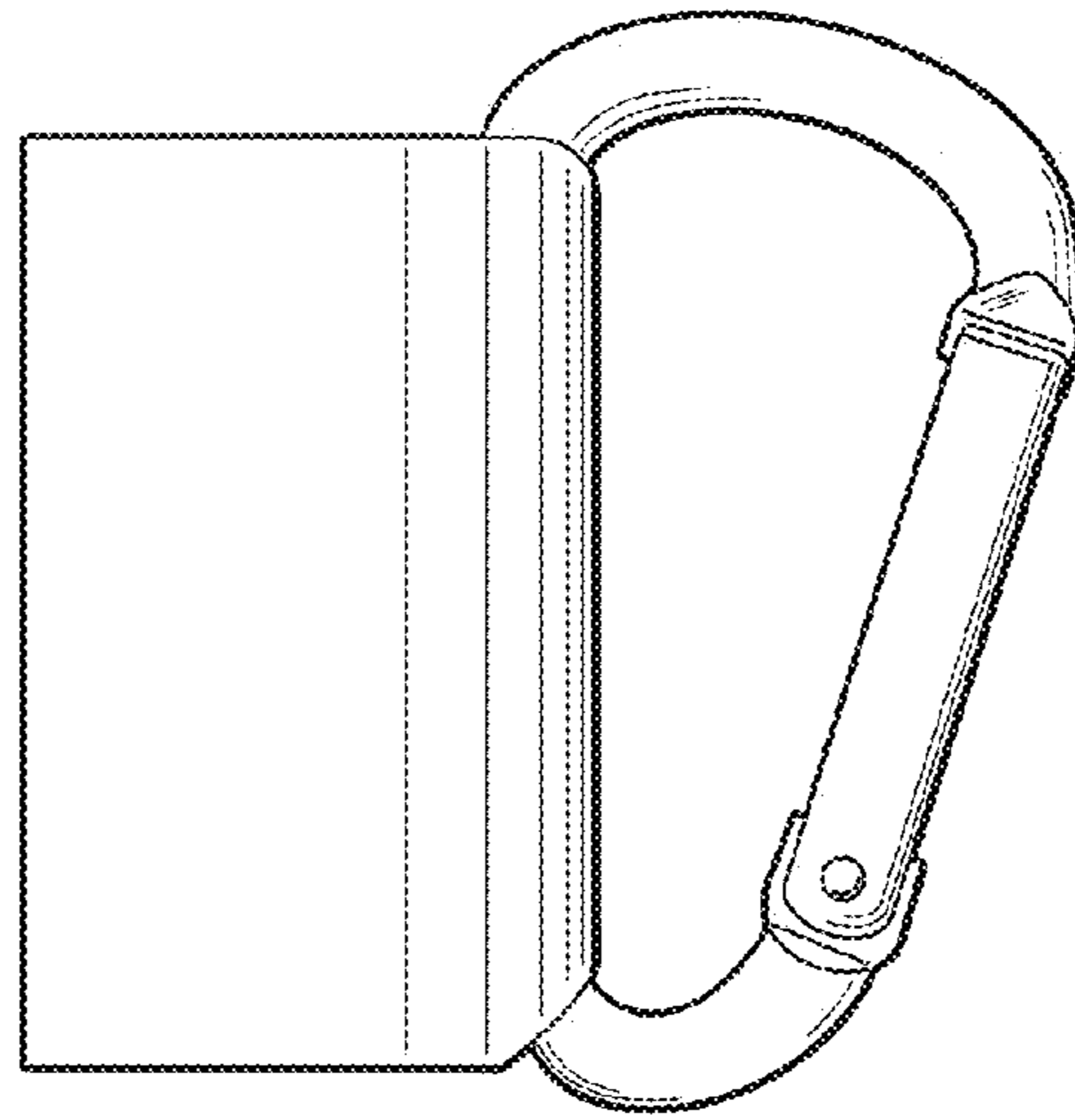


Fig. 14

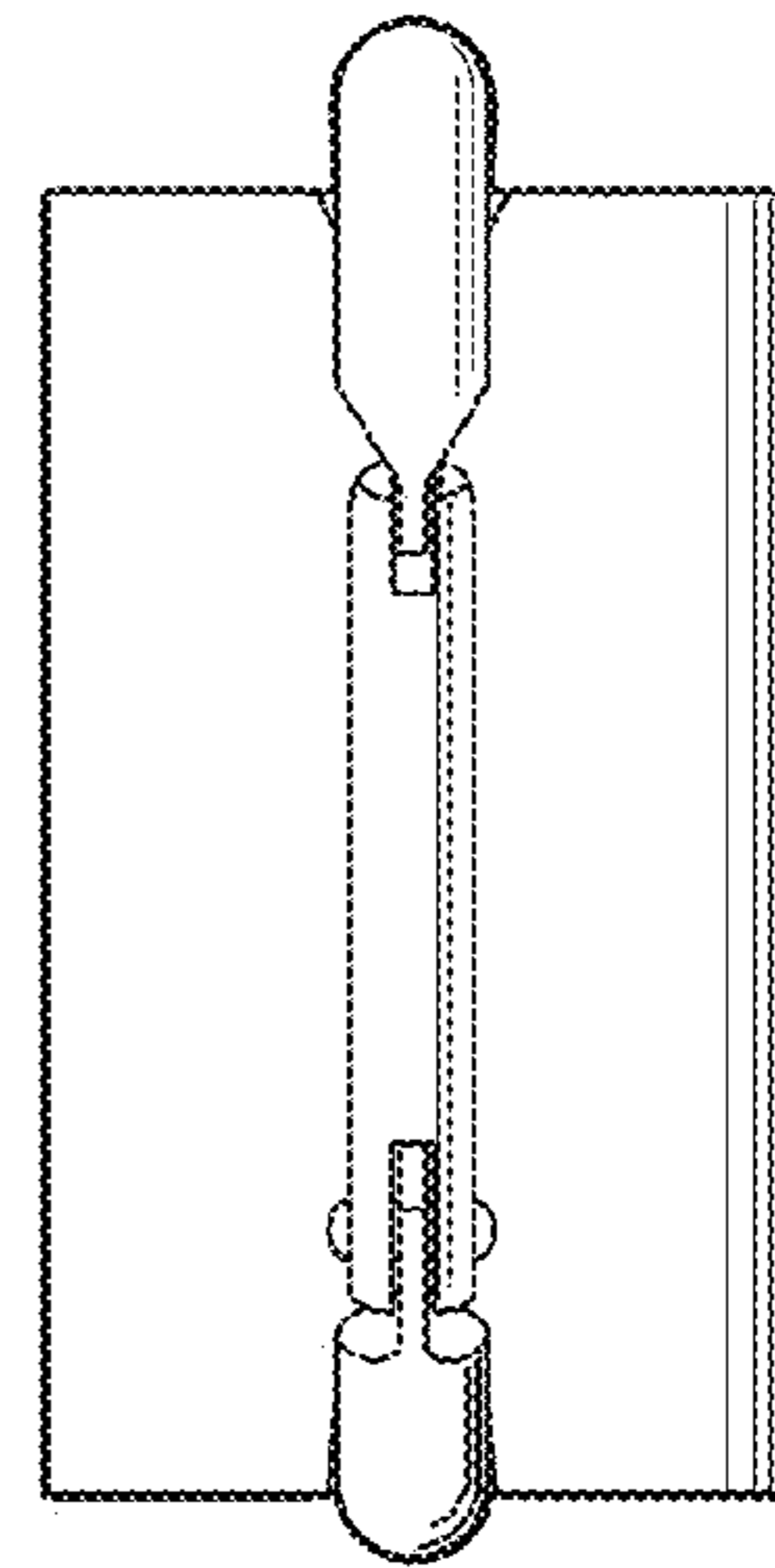


Fig. 16

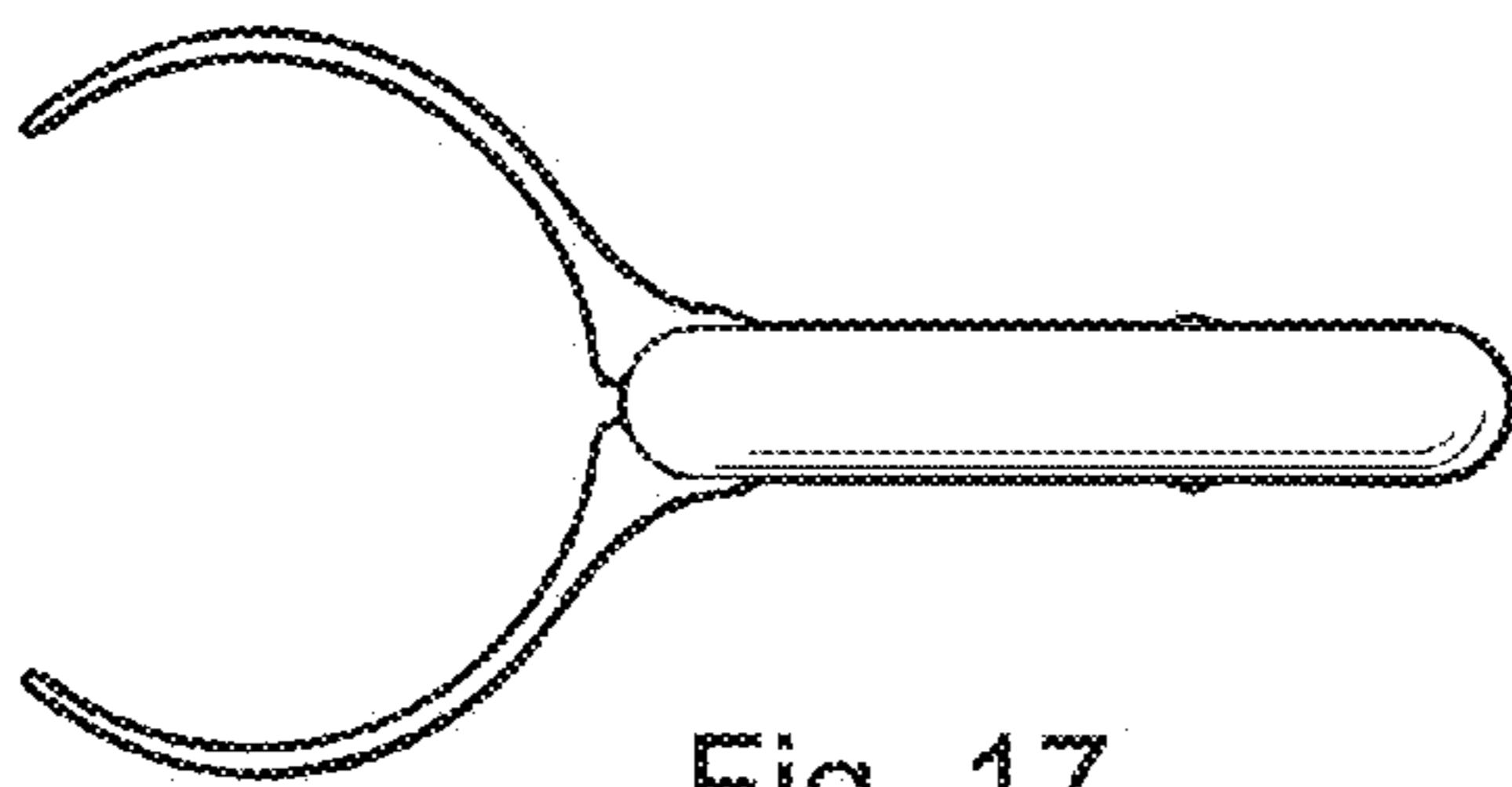


Fig. 17

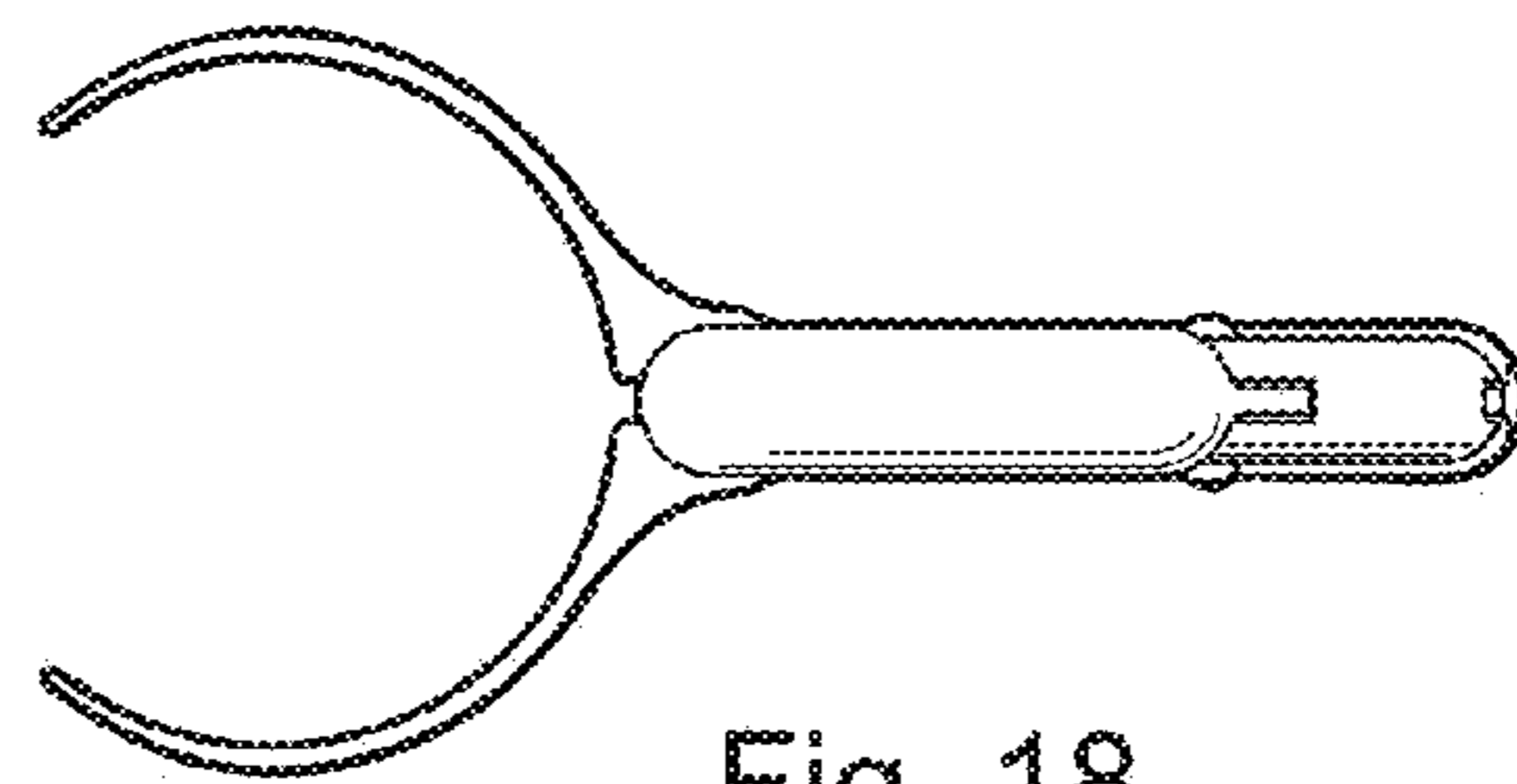


Fig. 18