



US00D713711S

(12) **United States Design Patent**  
**Yang**

(10) **Patent No.:** **US D713,711 S**

(45) **Date of Patent:** **\*\* \*Sep. 23, 2014**

(54) **STEEL LINE STOPPER**

(71) Applicant: **Orient River Inc.**, Taichung (TW)

(72) Inventor: **Jen-Yung Yang**, Taichung (TW)

(73) Assignee: **Orient River Inc.**, Taichung (TW)

(\*) Notice: This patent is subject to a terminal disclaimer.

(\*\*) Term: **14 Years**

(21) Appl. No.: **29/444,727**

(22) Filed: **Feb. 2, 2013**

(30) **Foreign Application Priority Data**

Nov. 21, 2012 (TW) ..... 101306895 A

(51) **LOC (10) Cl.** ..... **08-08**

(52) **U.S. Cl.**  
USPC ..... **D8/394**; D8/72; D8/14

(58) **Field of Classification Search**  
USPC ..... D8/14, 51, 52, 54, 71-74, 106, 349,  
D8/354-356, 371, 376, 380, 382,  
D8/394-396; D6/326, 328; D13/120;  
D15/199; 24/16 R, 279, 500, 508, 509;  
29/235, 237, 239, 268, 272; 81/302,  
81/427; 138/89; 248/49, 61-63, 73,  
248/74.1-74.4, 313; 269/218, 237; 439/504  
See application file for complete search history.

(56) **References Cited**

**U.S. PATENT DOCUMENTS**

4,325,237 A \* 4/1982 Menzie ..... 70/14  
D296,777 S \* 7/1988 Cornell ..... D13/149  
D300,748 S \* 4/1989 Jarman et al. .... D15/199  
D356,722 S \* 3/1995 Tessman ..... D8/72  
D392,171 S \* 3/1998 Miller ..... D8/72

D484,400 S \* 12/2003 Blake et al. .... D8/394  
D519,812 S \* 5/2006 Weinberg et al. .... D8/72  
D523,803 S \* 6/2006 Smith et al. .... D12/223  
D533,037 S \* 12/2006 Wu ..... D8/14  
D571,179 S \* 6/2008 Ahlgren ..... D8/72  
D594,726 S \* 6/2009 Arredondo ..... D8/72  
D622,583 S \* 8/2010 Parks et al. .... D8/394  
2012/0199232 A1 \* 8/2012 Mitchell ..... 138/89

**OTHER PUBLICATIONS**

Orient River Inc. Steel Line Stopper Kit. Model : OR-729. Jan. 7, 2013 [online], [retrieved on Nov. 2, 2013]. Retrieved from the Internet <URL: [http://www.orient-river.com.tw/index.php?\\_Page=product&mode=show&cid=3&pid=392&\\_lang=E](http://www.orient-river.com.tw/index.php?_Page=product&mode=show&cid=3&pid=392&_lang=E)>.\*

(Continued)

*Primary Examiner* — Philip S Hyder

*Assistant Examiner* — Darlington Ly

(74) *Attorney, Agent, or Firm* — Guice Patents PLLC

(57) **CLAIM**

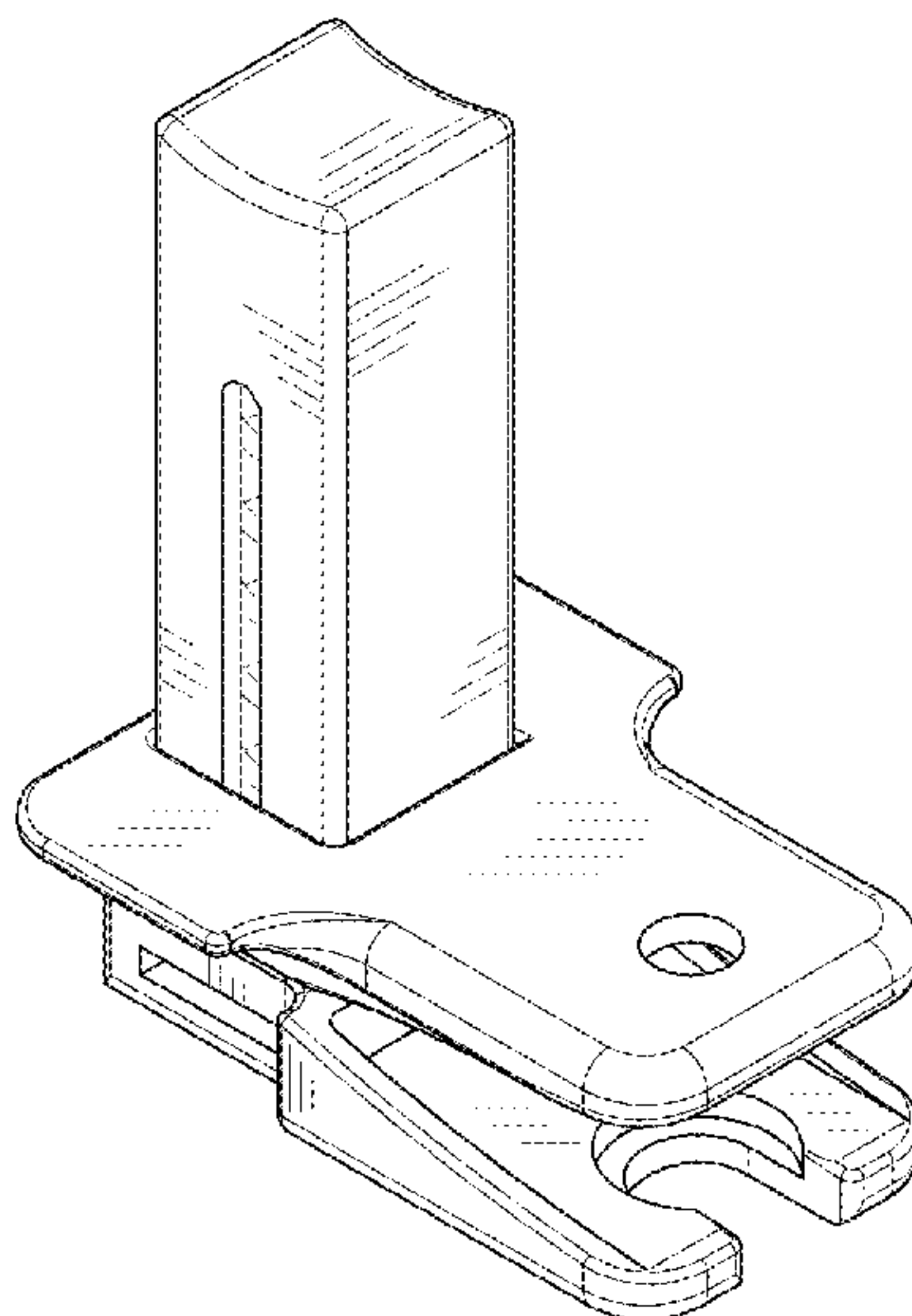
The ornamental design for a steel line stopper, as shown and described.

**DESCRIPTION**

FIG. 1 is a perspective view of a steel line stopper;  
FIG. 2 is a front view thereof;  
FIG. 3 is a rear view thereof;  
FIG. 4 is a left side view thereof;  
FIG. 5 is a right side view thereof;  
FIG. 6 is a top view thereof;  
FIG. 7 is a bottom view thereof; and,  
FIG. 8 is a perspective view of the steel line stopper in a state of use, wherein the broken line showing is a representation of automotive steel line.

The broken lines shown in the drawings illustrate environmental structure for the steel line stopper that forms no part of claimed design.

**1 Claim, 5 Drawing Sheets**



(56)

**References Cited**

OTHER PUBLICATIONS

Laser Fuel Line Clamp and Stopper Kit. Electronic Brochure. May 20, 2011 [online], [retrieved on Nov. 2, 2013]. Retrieved from the Internet <URL: [http://www.lasertools.co.uk/news/pdf/5219\\_V1\\_PIS.pdf](http://www.lasertools.co.uk/news/pdf/5219_V1_PIS.pdf)>.\*

PBT USA—Steel Line Stopper Kit: Use to seal steel lines once disconnected. Dec. 22, 2010 [online], [retrieved on Nov. 2, 2013].

Retrieved from the Internet <URL: <http://www.pbtusa.com/pdfs/71110.pdf>>.\*

OTC An Apex Brand: Steel Line Stopper Kit. Apr. 16, 2012 [online], [retrieved on Nov. 2, 2013]. Retrieved from the Internet <URL: <http://www2.otctools.com/otctools.com/newcatalog/products/563375.pdf>>.\*

\* cited by examiner

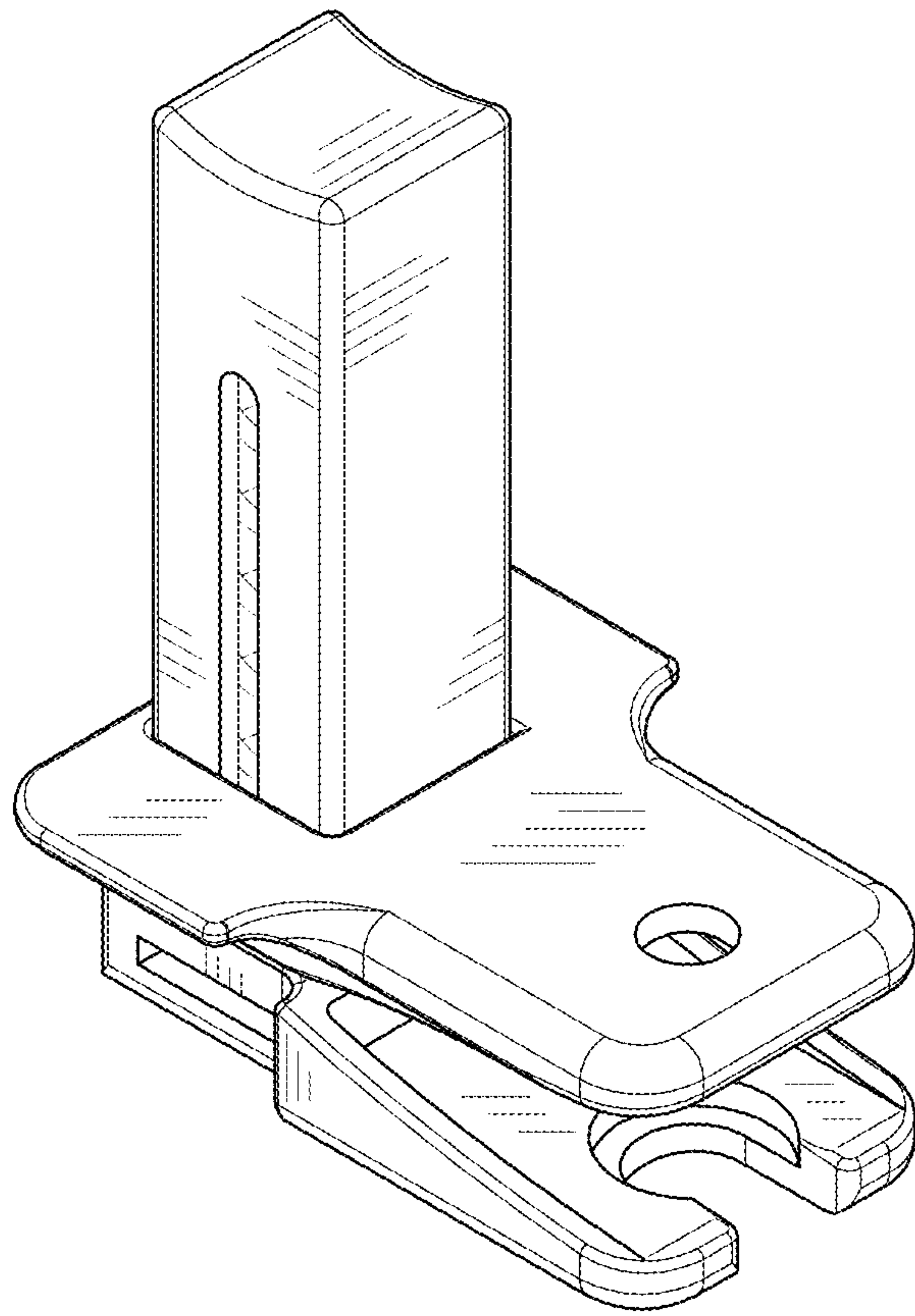


Fig. 1

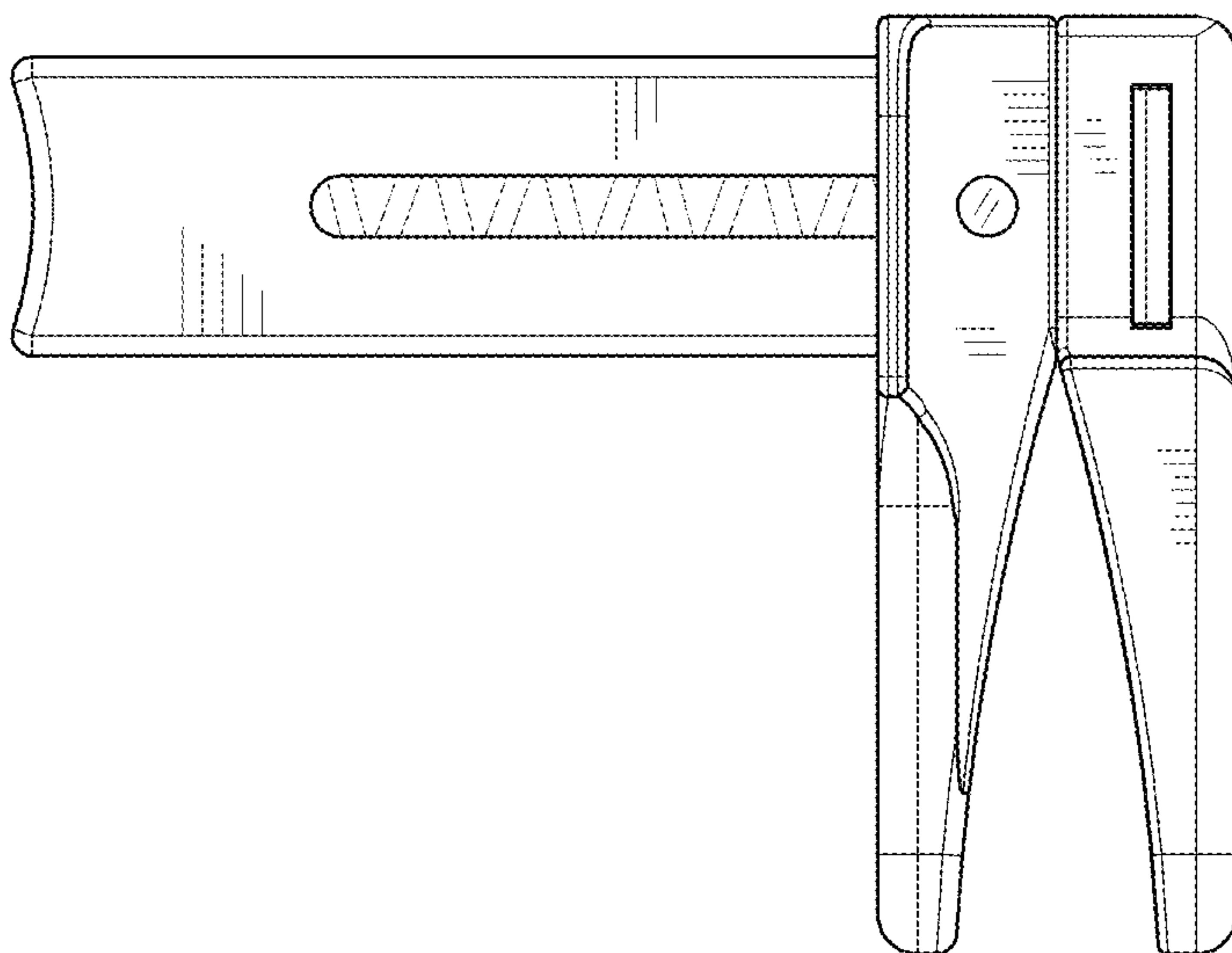


Fig. 3

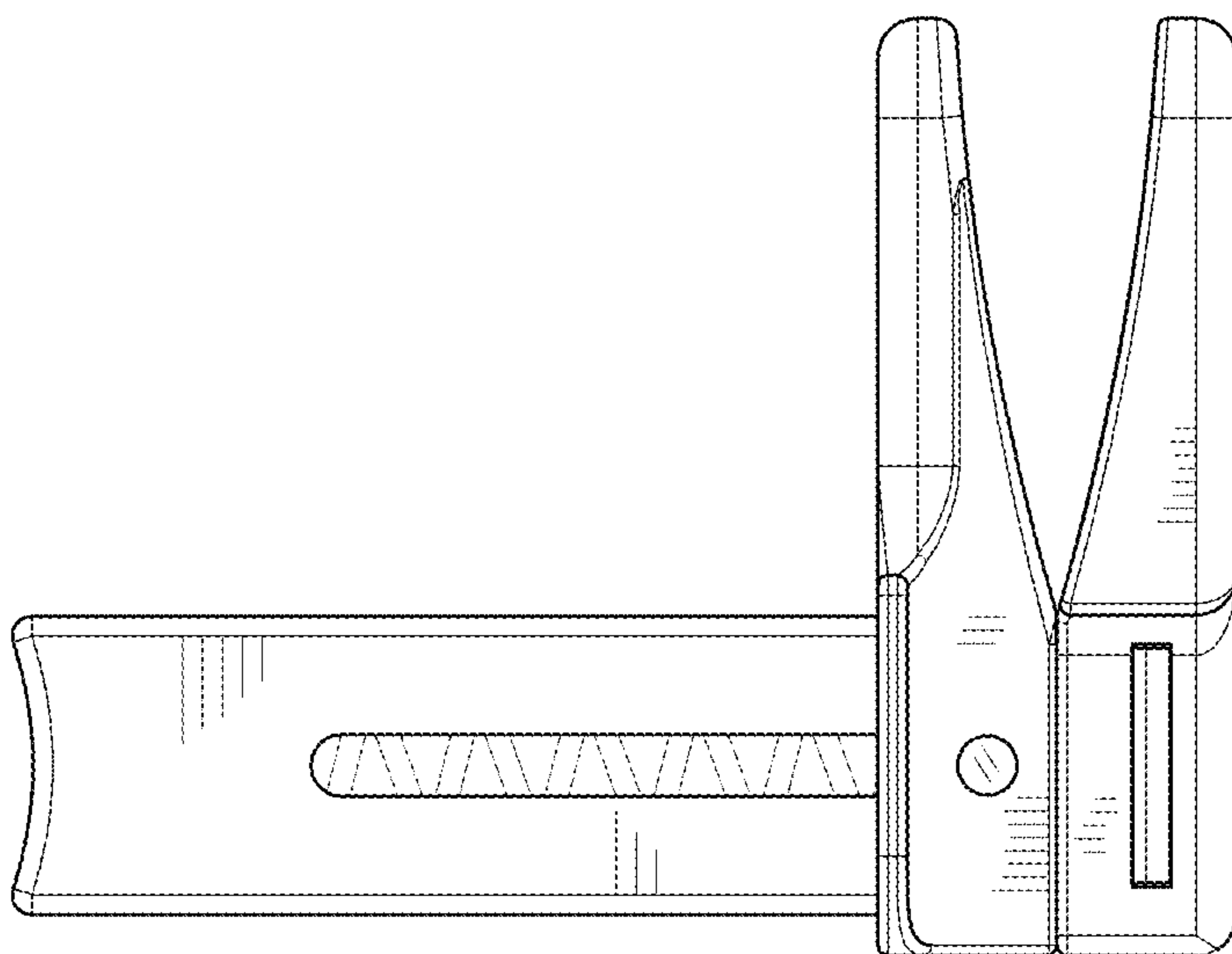


Fig. 2

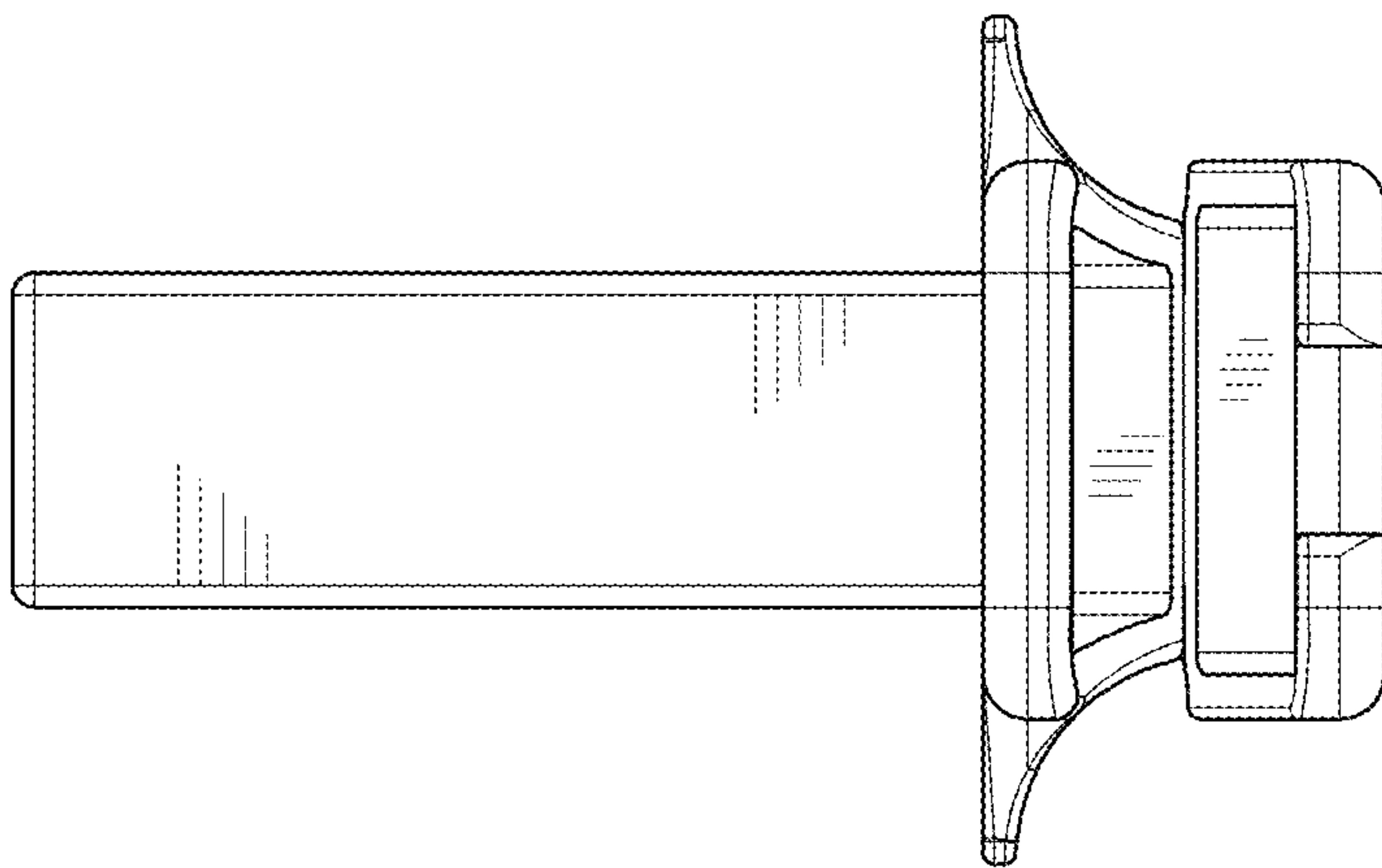


Fig. 5

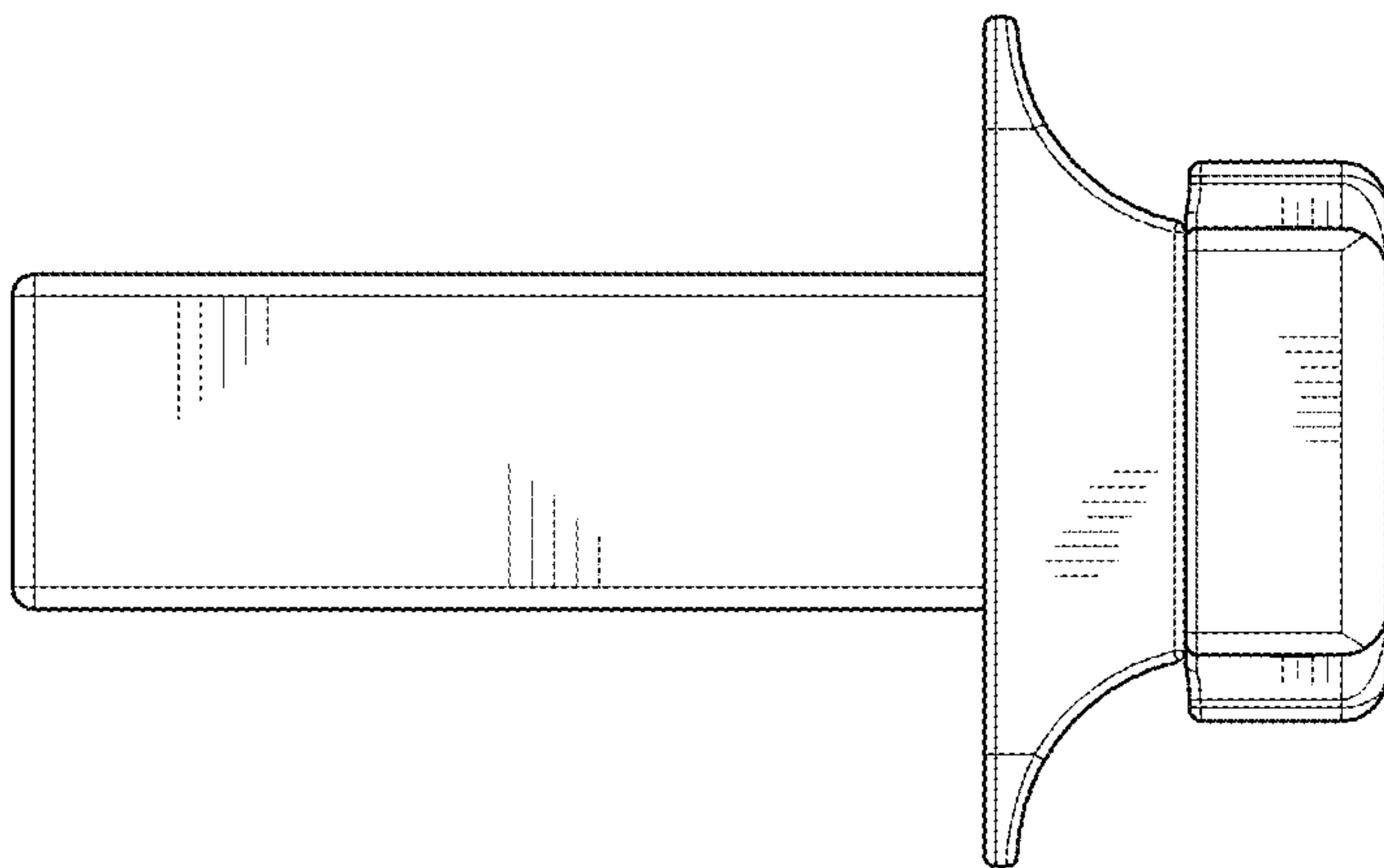


Fig. 4

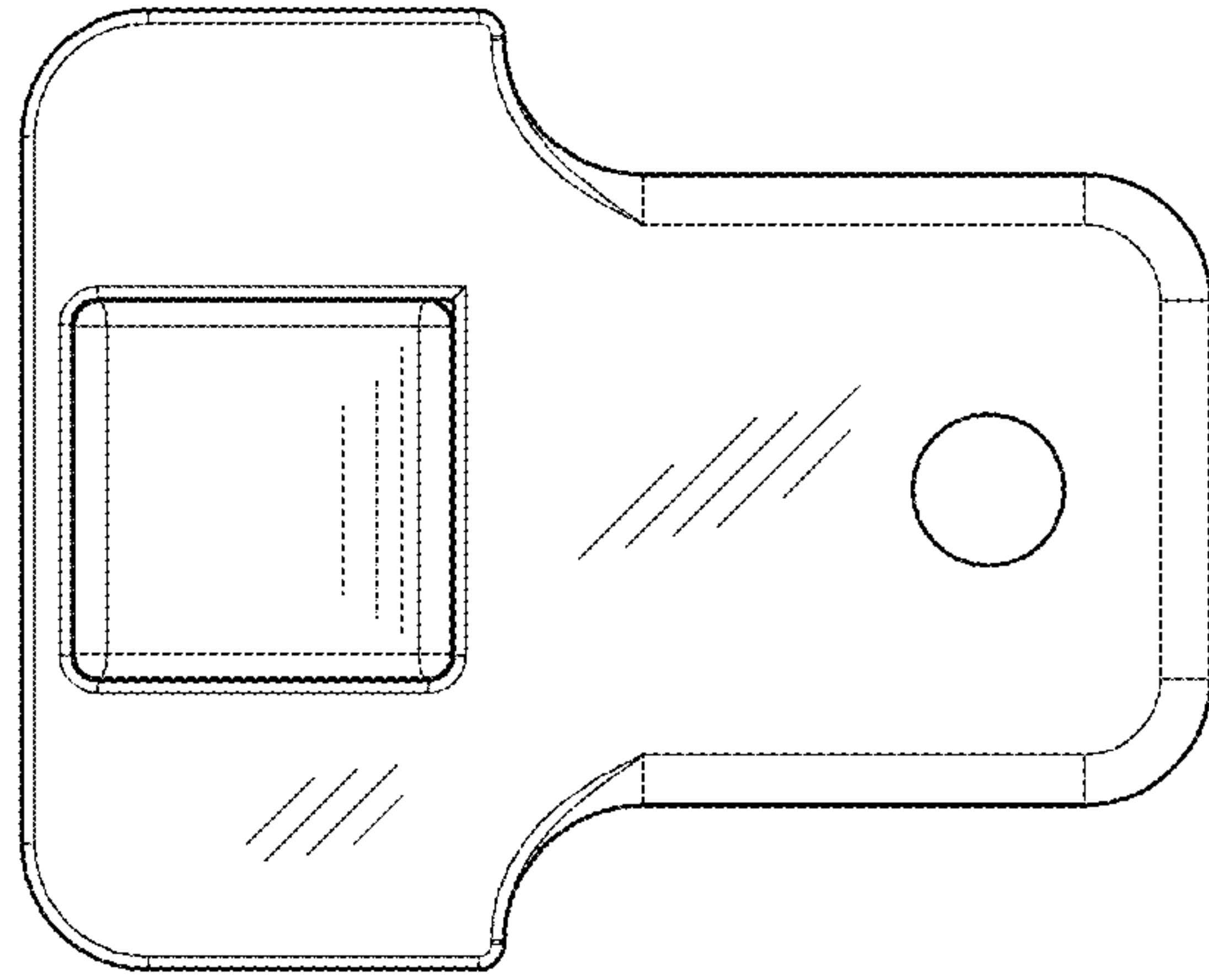


Fig. 6

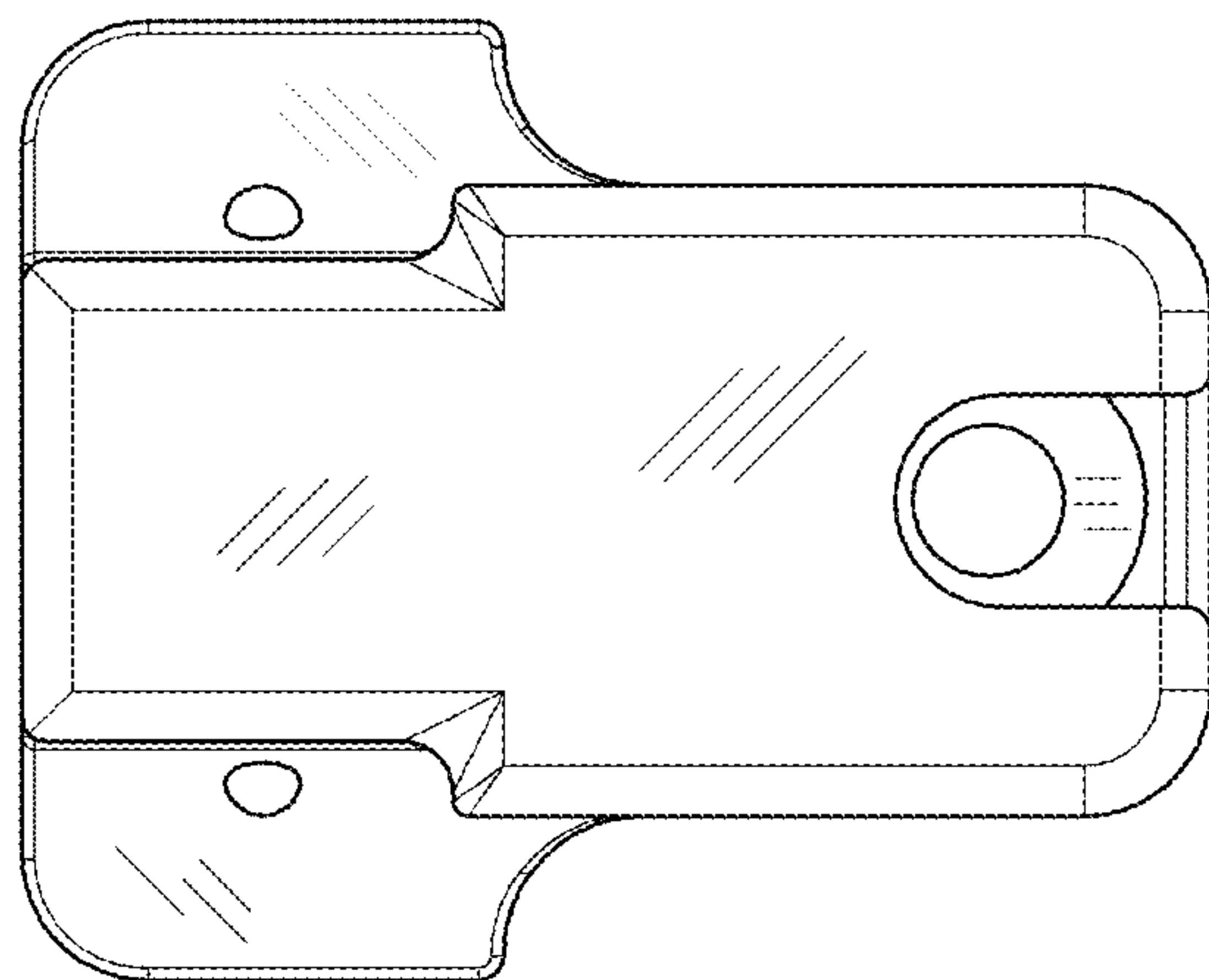


Fig. 7



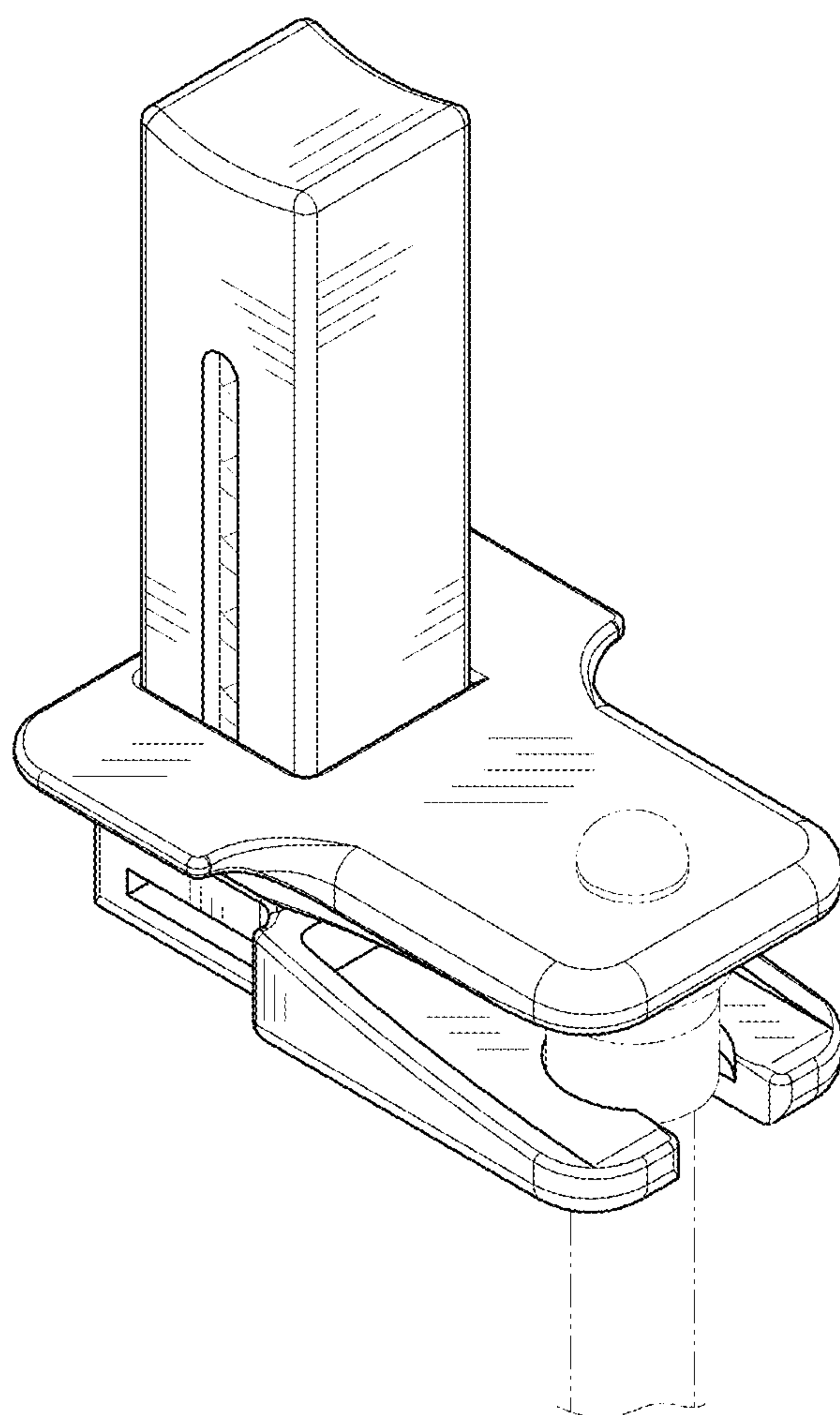


Fig. 8