



US00D713707S

(12) **United States Design Patent**
Glockseisen

(10) **Patent No.:** **US D713,707 S**

(45) **Date of Patent:** **** Sep. 23, 2014**

(54) **CUTTING PLIERS HEAD**

(71) Applicant: **WEZAG GmbH Werkzeugfabrik,**
Stadtallendorf (DE)

(72) Inventor: **Thomas Glockseisen,** Duesseldorf (DE)

(73) Assignee: **Wezag GmbH Werkzeugfabrik,**
Stadtallendorf (DE)

(**) Term: **14 Years**

(21) Appl. No.: **29/479,406**

(22) Filed: **Jan. 15, 2014**

Related U.S. Application Data

(63) Continuation of application No. 29/437,459, filed on
Nov. 16, 2012, now abandoned.

(51) **LOC (10) CL.** **08-03**

(52) **U.S. Cl.**
USPC **D8/70**

(58) **Field of Classification Search**
USPC D8/29.1, 51, 52, 53, 55, 56, 57, 58, 61,
D8/63, 70, 93, 98, 99, 105; D24/148, 149;
81/9.43, 9.44, 302, 349, 383.5, 423,
81/427.5, 900; 30/90.1, 90.6, 228, 366;
D15/124, 133, 138, 139, 140; 29/239,
29/252; 254/93 H, 93 R; 403/378
See application file for complete search history.

(56) **References Cited**

U.S. PATENT DOCUMENTS

2,304,425 A * 12/1942 Semple 227/53
4,223,439 A * 9/1980 Rommel 30/250

4,842,249 A * 6/1989 Weigand 254/93 R
5,511,297 A * 4/1996 Cross 29/243.56
5,956,992 A * 9/1999 Patton 72/392
6,085,681 A * 7/2000 Morton 114/221 R
6,443,430 B1 * 9/2002 Eisterlehner 254/93 R
D487,386 S * 3/2004 Clivio D8/70
D492,949 S * 7/2004 Kimura D15/127
D523,314 S * 6/2006 Kimura D8/70
D626,979 S * 11/2010 Anderson D15/139

OTHER PUBLICATIONS

Publication/Catalog of Klauke, a Textron Company, May 2008.

* cited by examiner

Primary Examiner — Philip S Hyder

Assistant Examiner — Darlington Ly

(74) *Attorney, Agent, or Firm* — Thomas | Horstemeyer,
LLP

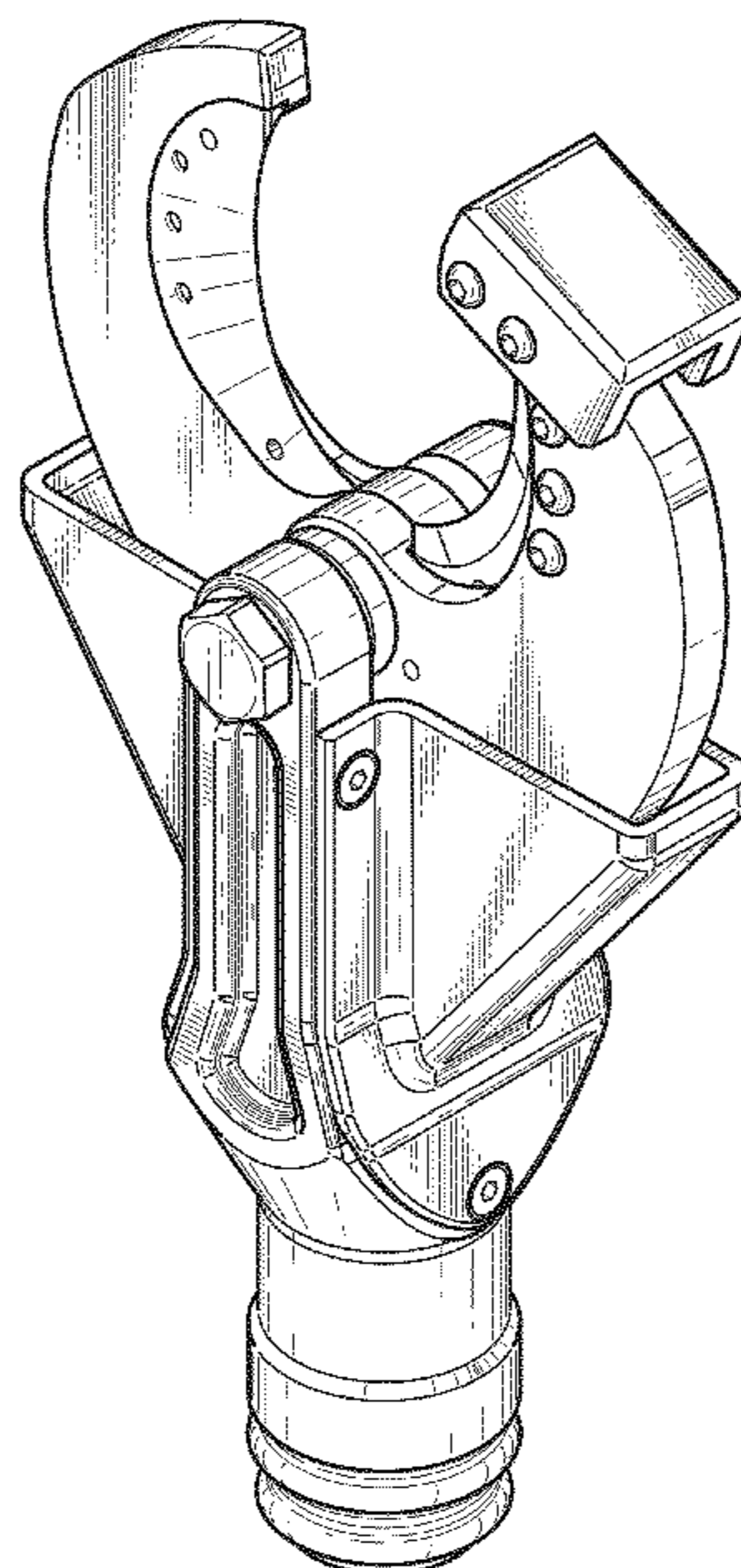
(57) **CLAIM**

The ornament design for a cutting pliers head, as shown and
described.

DESCRIPTION

FIG. 1 is a perspective view showing my new cutting pliers
head;
FIG. 2 is a front elevation view thereof;
FIG. 3 is a left side elevation view thereof;
FIG. 4 is a rear elevation view thereof;
FIG. 5 is a right side elevation view thereof;
FIG. 6 is a top plan view thereof; and,
FIG. 7 is a bottom plan view thereof.

1 Claim, 7 Drawing Sheets



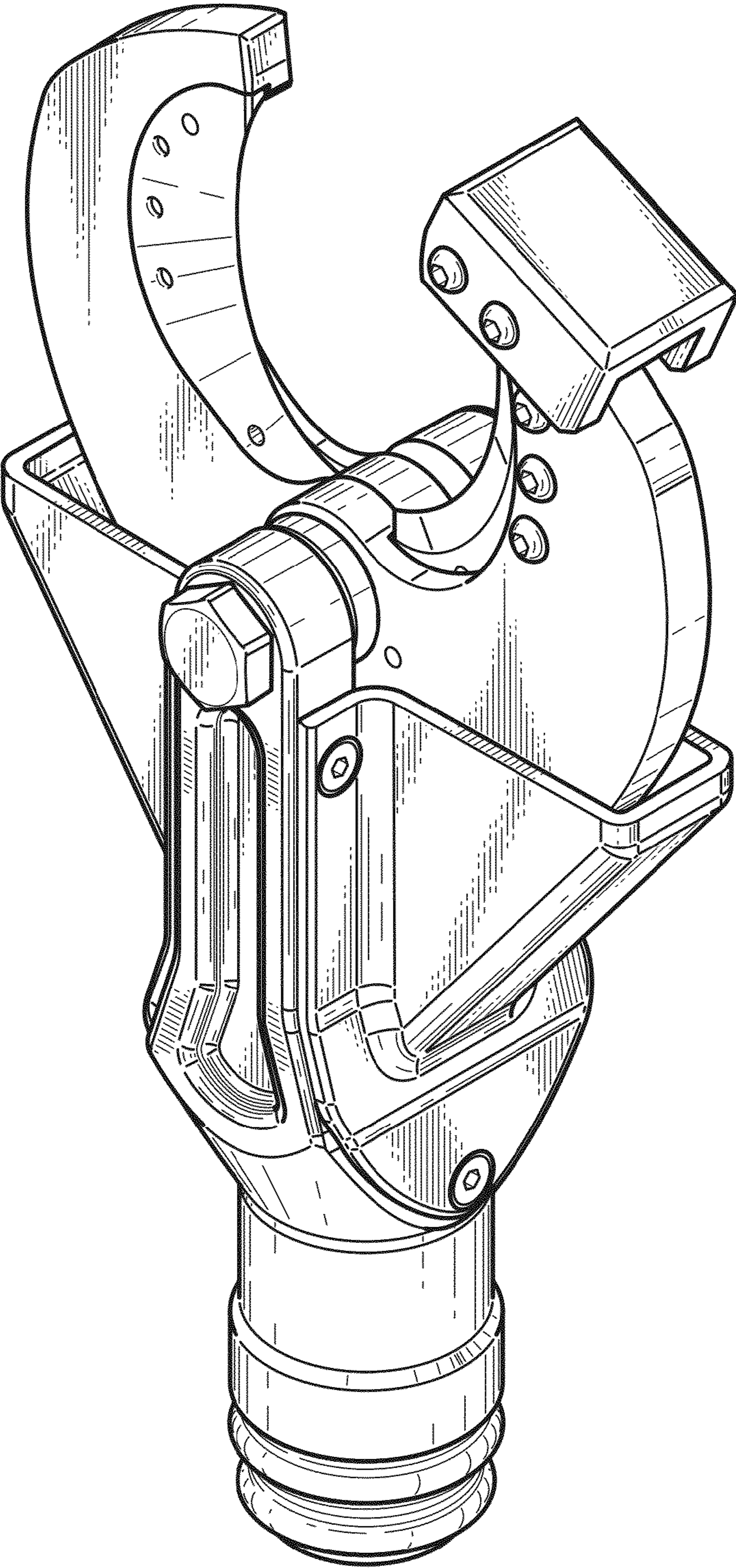


FIG. 1

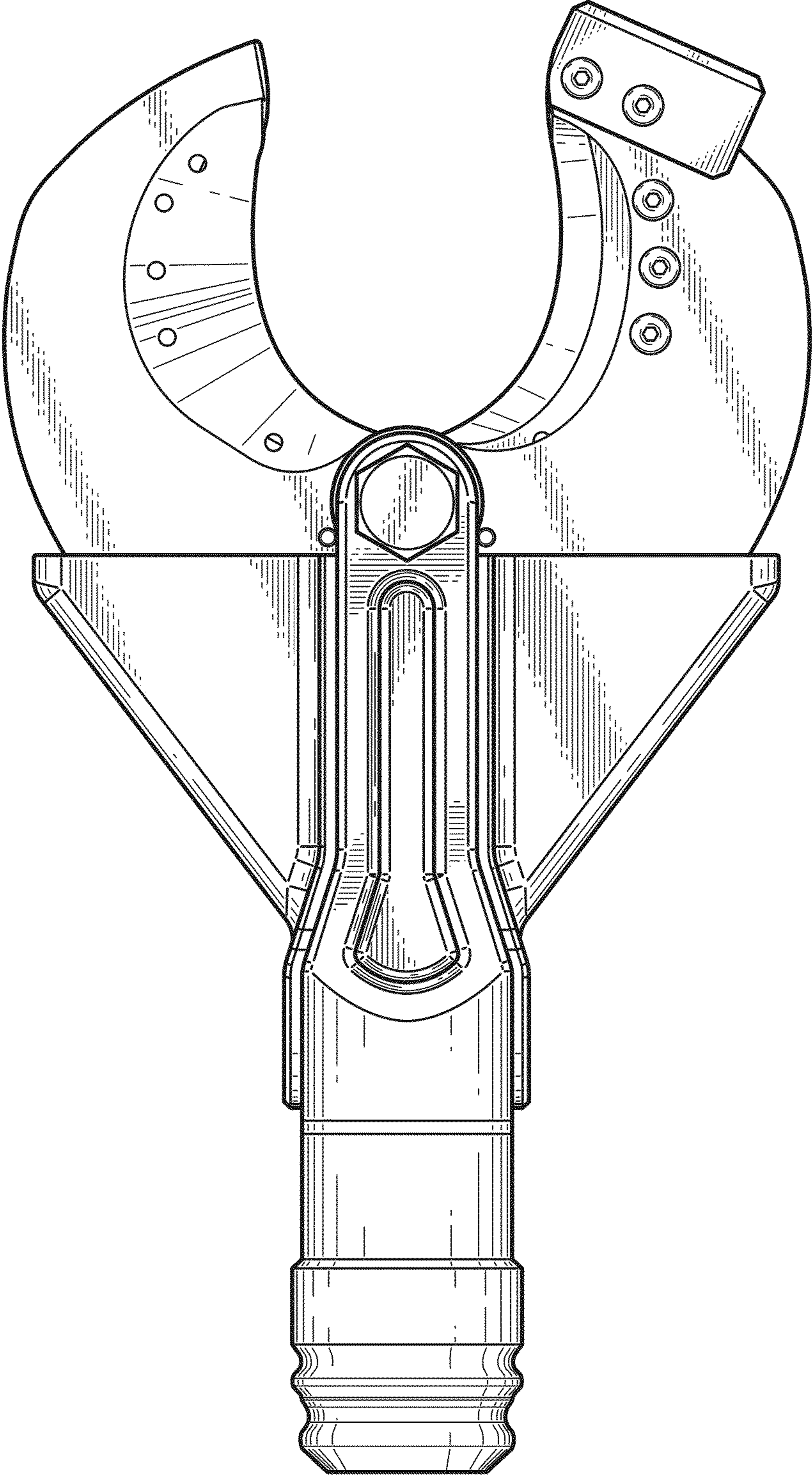


FIG. 2

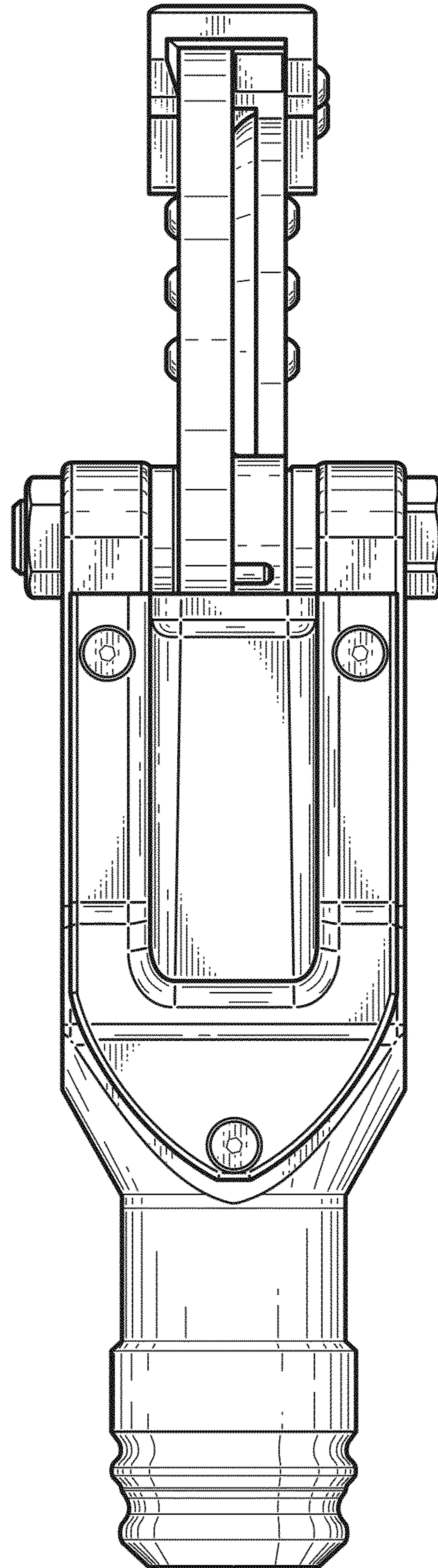


FIG. 3

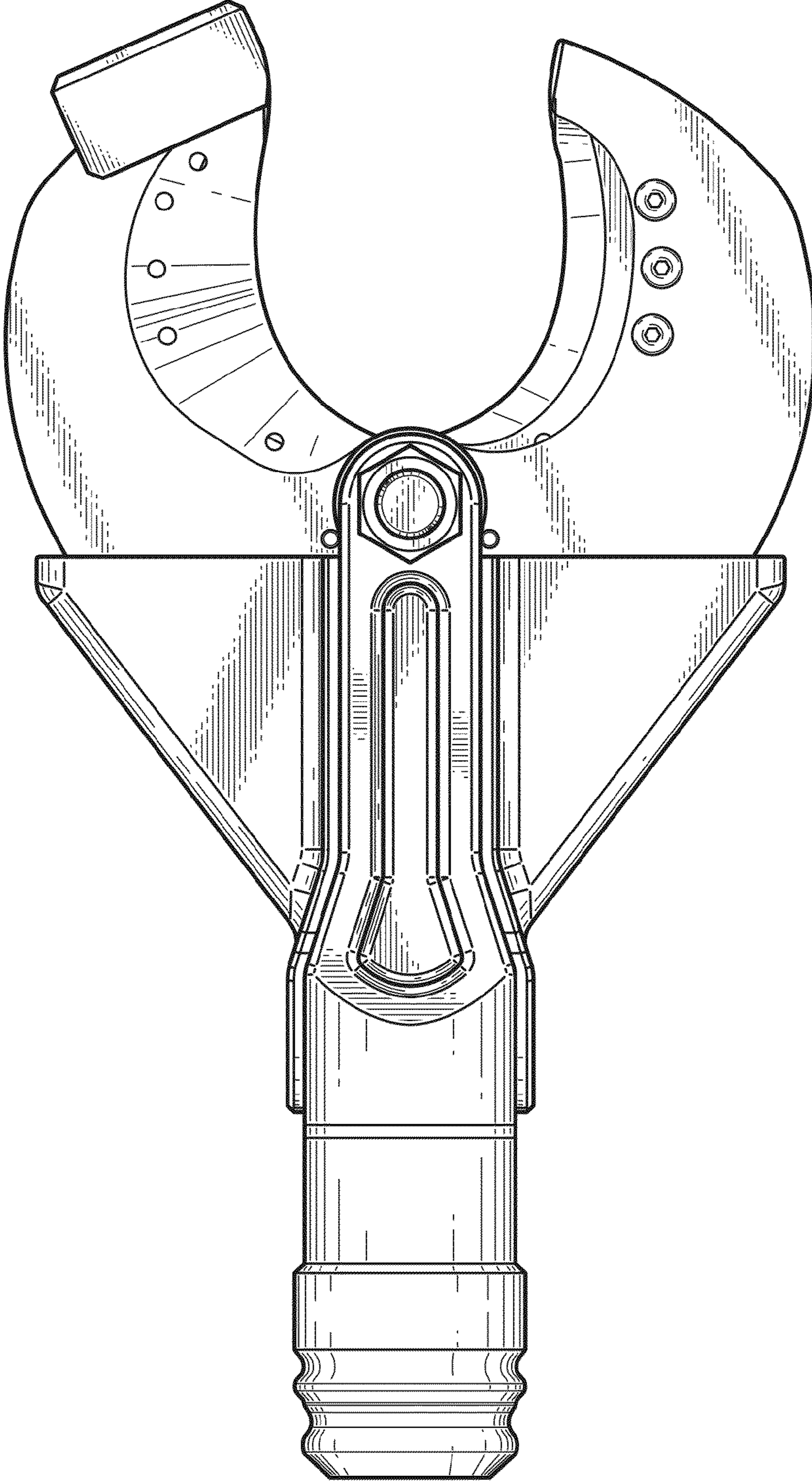


FIG. 4

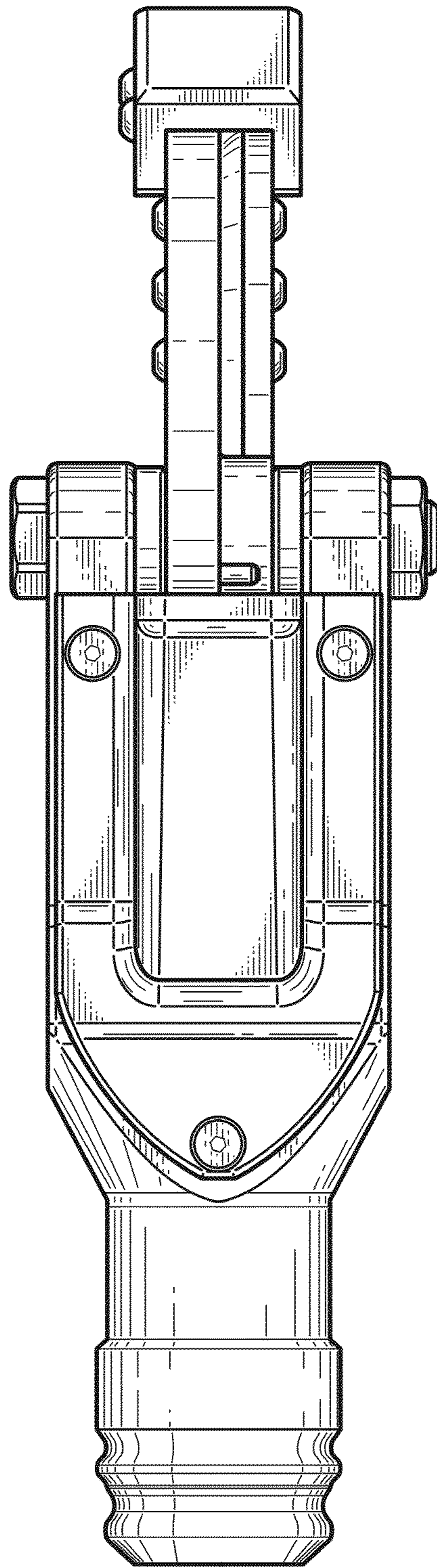


FIG. 5

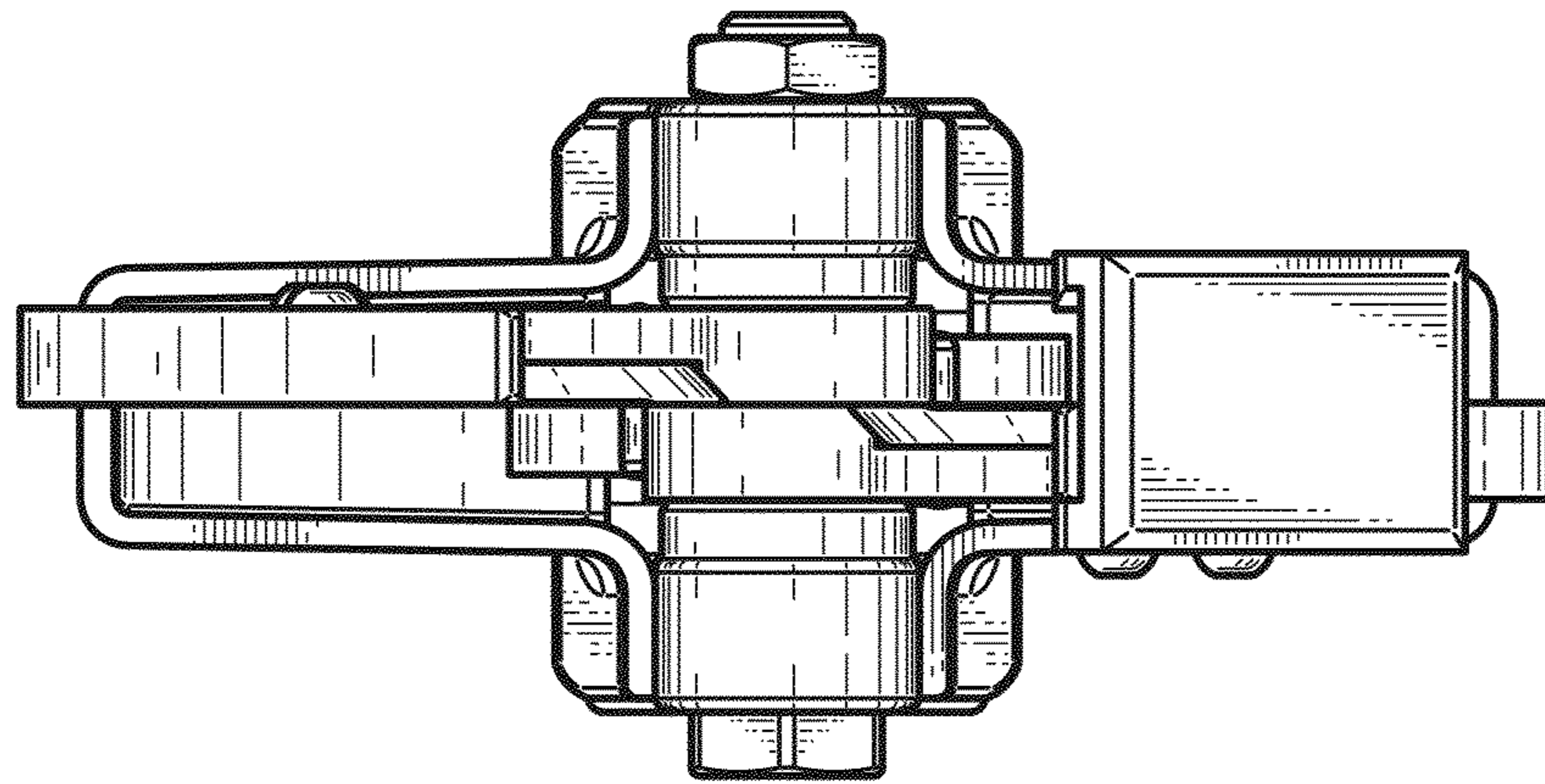


FIG. 6

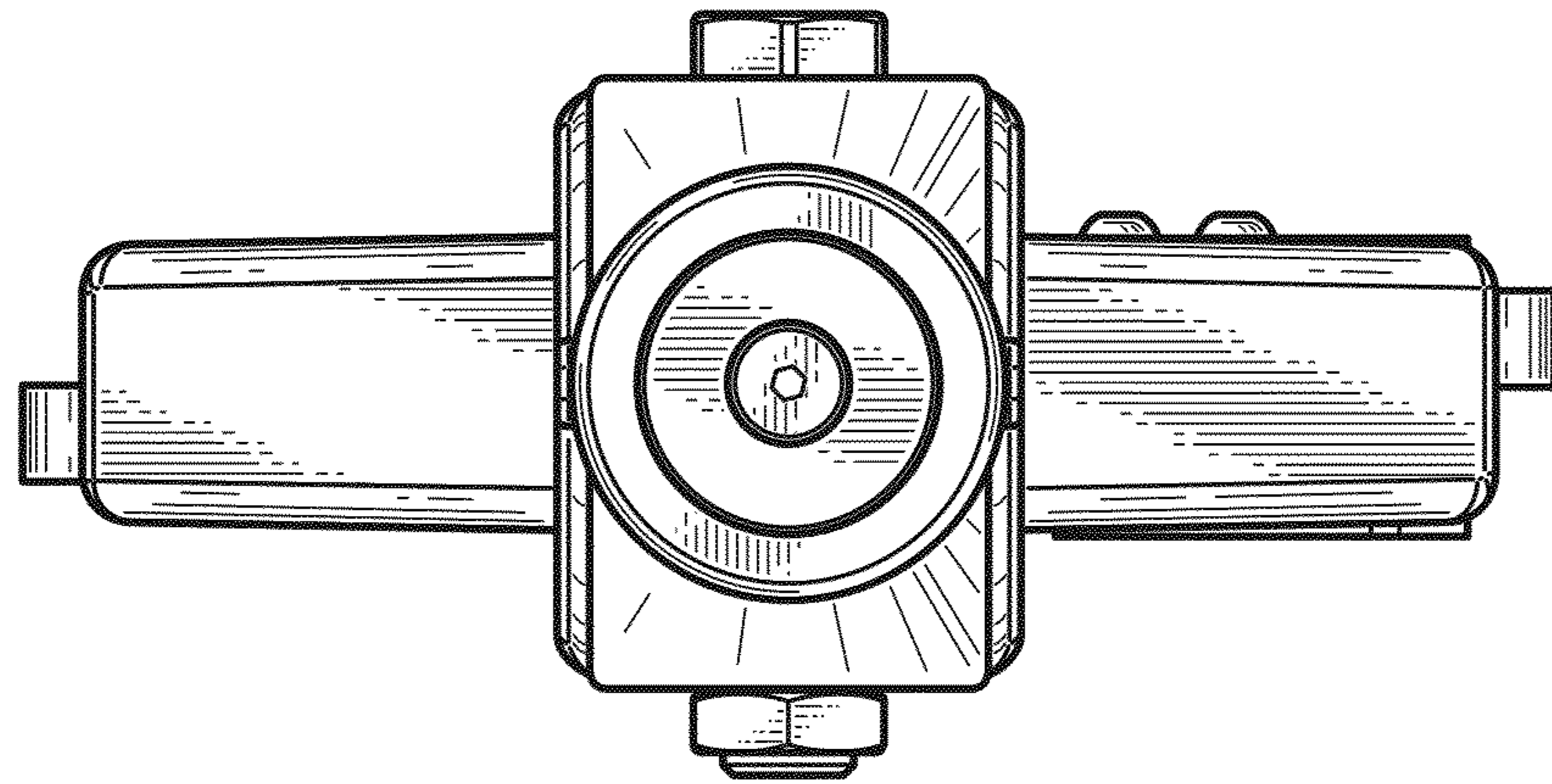


FIG. 7