



US00D713706S

(12) **United States Design Patent**
Jing et al.

(10) **Patent No.:** **US D713,706 S**

(45) **Date of Patent:** **** Sep. 23, 2014**

(54) **TOOL HOLDER PORTION OF AN IMPACT DRIVER**

(75) Inventors: **Pang Jing**, Shanghai (CN); **Jonas Vollmer**, Shanghai (CN); **Wei Feng**, Shanghai (CN)

(73) Assignee: **Robert Bosch GmbH**, Stuttgart (DE)

(**) Term: **14 Years**

(21) Appl. No.: **29/431,259**

(22) Filed: **Sep. 5, 2012**

(30) **Foreign Application Priority Data**

Mar. 5, 2012 (EM) 002002964

(51) **LOC (10) Cl.** **08-03**

(52) **U.S. Cl.**
USPC **D8/70; D15/140**

(58) **Field of Classification Search**
USPC D8/14, 45, 61-71; D10/61, 64-65;
175/300, 320, 321, 324, 393, 414, 415;
81/429; 33/528, 562, 565, 566,
33/574-579, 644, 669; 279/60-64, 145,
279/157, 901-902; 299/33; 408/239 R
See application file for complete search history.

(56) **References Cited**

U.S. PATENT DOCUMENTS

4,840,387 A * 6/1989 McCarthy 279/134
5,398,946 A * 3/1995 Quiring 279/30
5,988,653 A * 11/1999 Kuo 279/62
6,270,085 B1 * 8/2001 Chen et al. 279/22
D478,263 S * 8/2003 Welsh D8/70
D512,891 S * 12/2005 Aglassinger D8/68
D524,136 S * 7/2006 Taniguchi et al. D8/68

D560,109 S * 1/2008 Huang et al. D8/70
D605,921 S * 12/2009 Cowan D8/70
D609,073 S * 2/2010 Lin D8/70
D628,038 S * 11/2010 Aoki et al. D8/68
8,100,200 B2 * 1/2012 Wolfer 175/300

(Continued)

FOREIGN PATENT DOCUMENTS

EP 1897658 A1 * 3/2008 B23B 31/107
GB 2425086 A * 10/2006 B25B 15/00
JP 2013027921 A * 2/2013 B23K 20/12

Primary Examiner — Philip S Hyder

Assistant Examiner — Darlington Ly

(74) *Attorney, Agent, or Firm* — Maginot, Moore & Beck

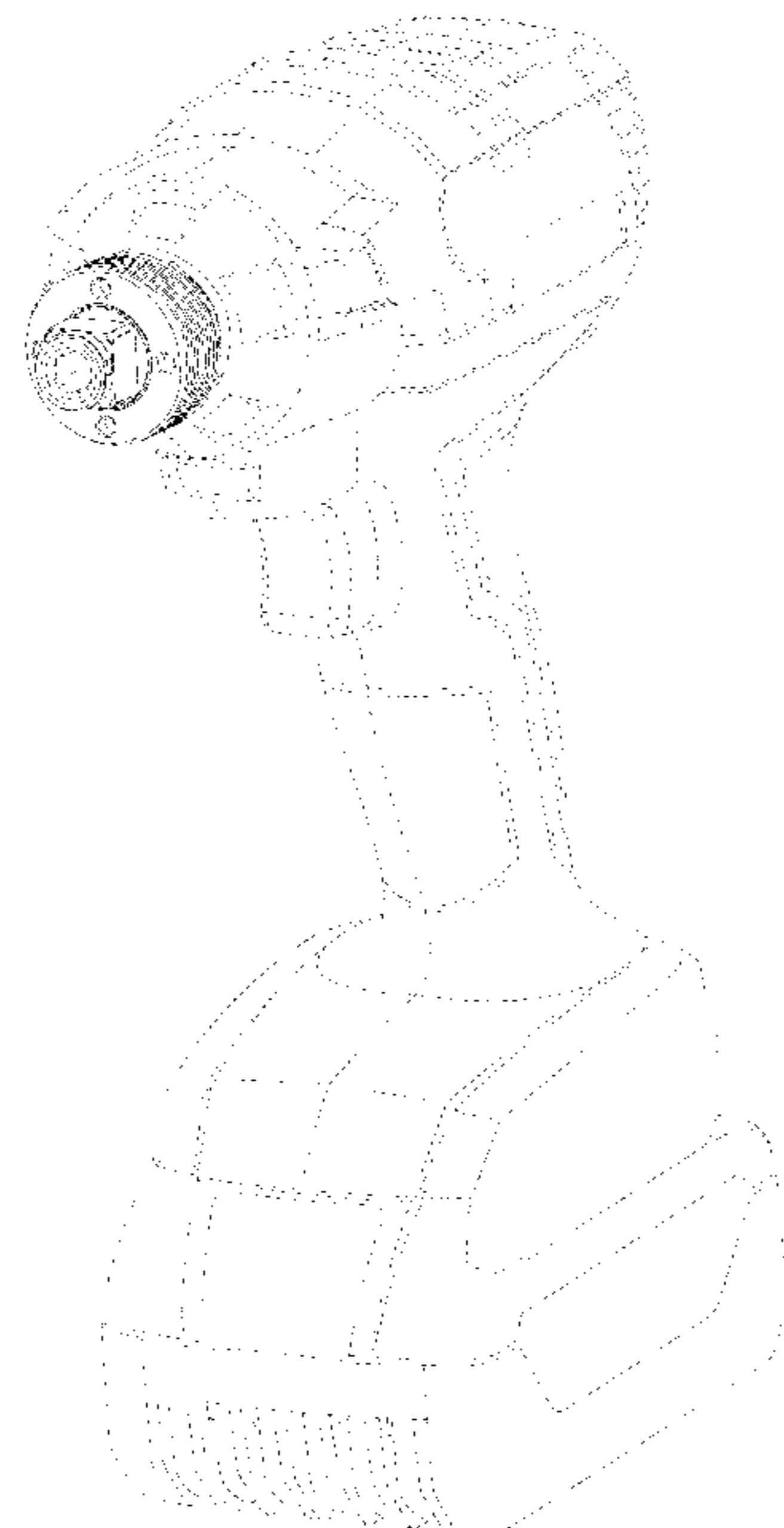
(57) **CLAIM**

The ornamental design for a tool holder portion of an impact driver, as shown and described.

DESCRIPTION

FIG. 1 is a perspective view of a tool holder portion of an impact driver showing our new design;
FIG. 2 is right side elevational view showing the design for the tool holder portion of the impact driver of FIG. 1;
FIG. 3 is a left side elevational view showing the design for the tool holder portion of the impact driver of FIG. 1;
FIG. 4 is a front elevational view showing the design for the tool holder portion of the impact driver of FIG. 1;
FIG. 5 is a rear elevational view showing the design for the tool holder portion of the impact driver of FIG. 1;
FIG. 6 is a top plan view showing the design for the tool holder portion of the impact driver of FIG. 1; and,
FIG. 7 is a bottom plan view showing the design for the tool holder portion of the impact driver of FIG. 1.
The broken lines shown in the drawings illustrate portions of the impact driver that form no part of the claimed design.

1 Claim, 7 Drawing Sheets



US D713,706 S

Page 2

(56)

References Cited

U.S. PATENT DOCUMENTS

D674,262 S *	1/2013	Dressel et al.	D8/64	D684,612 S *	6/2013	Frazier	D15/139
D678,024 S *	3/2013	Taniguchi et al.	D8/68	2006/0225540 A1 *	10/2006	Tsai et al.	81/177.85
				2006/0237205 A1 *	10/2006	Sia et al.	173/48

* cited by examiner

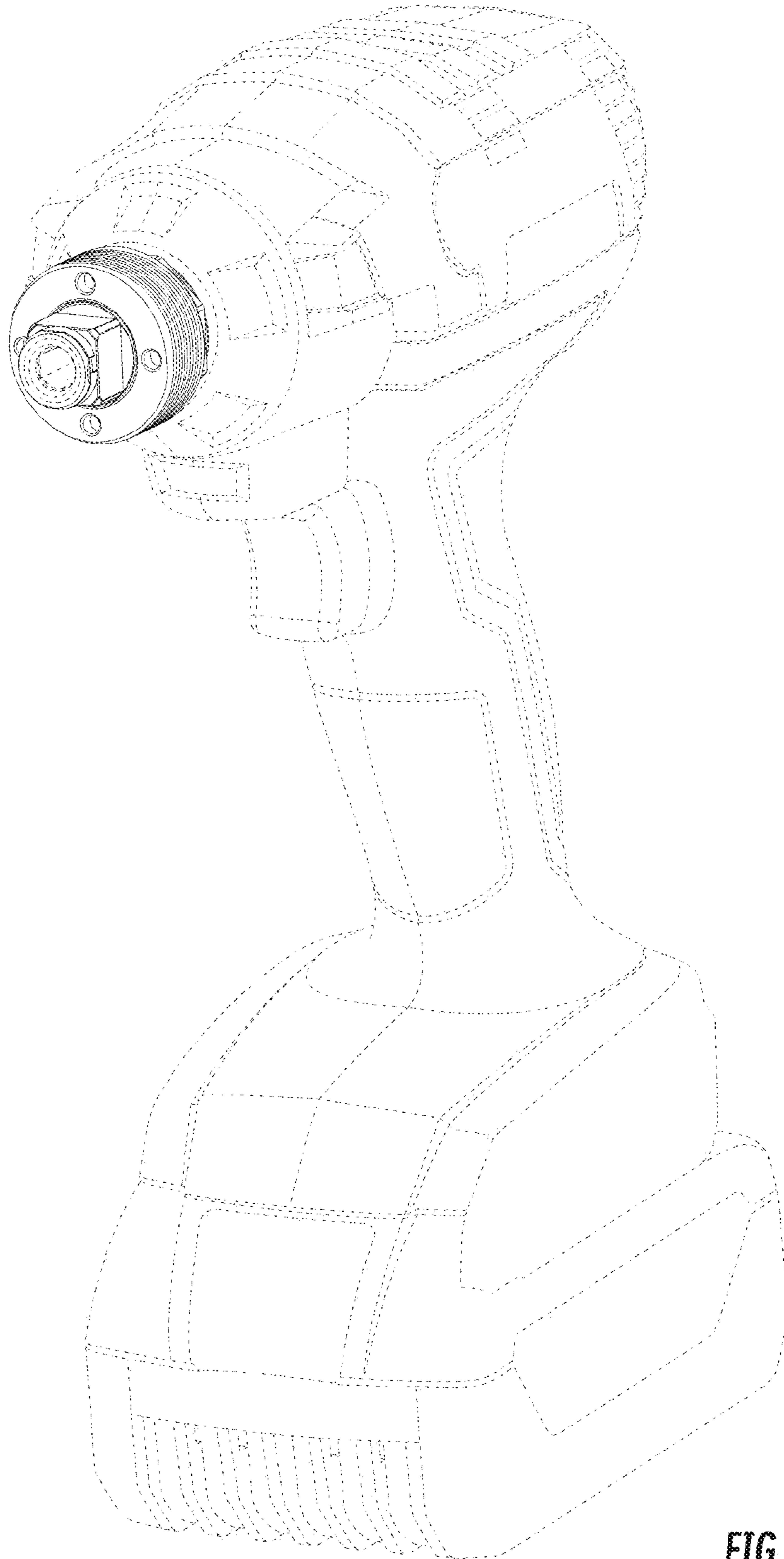


FIG. 1

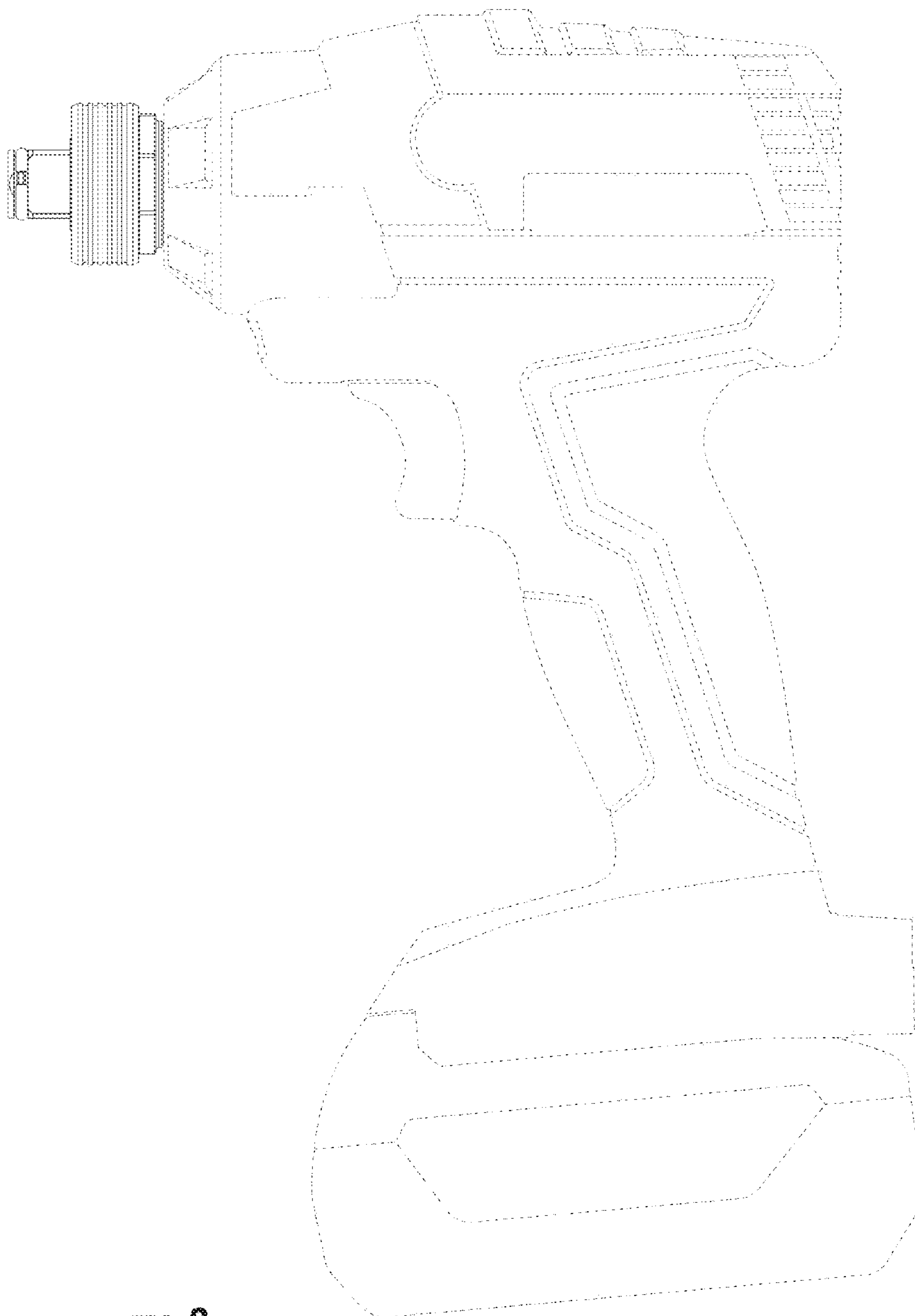


FIG. 2

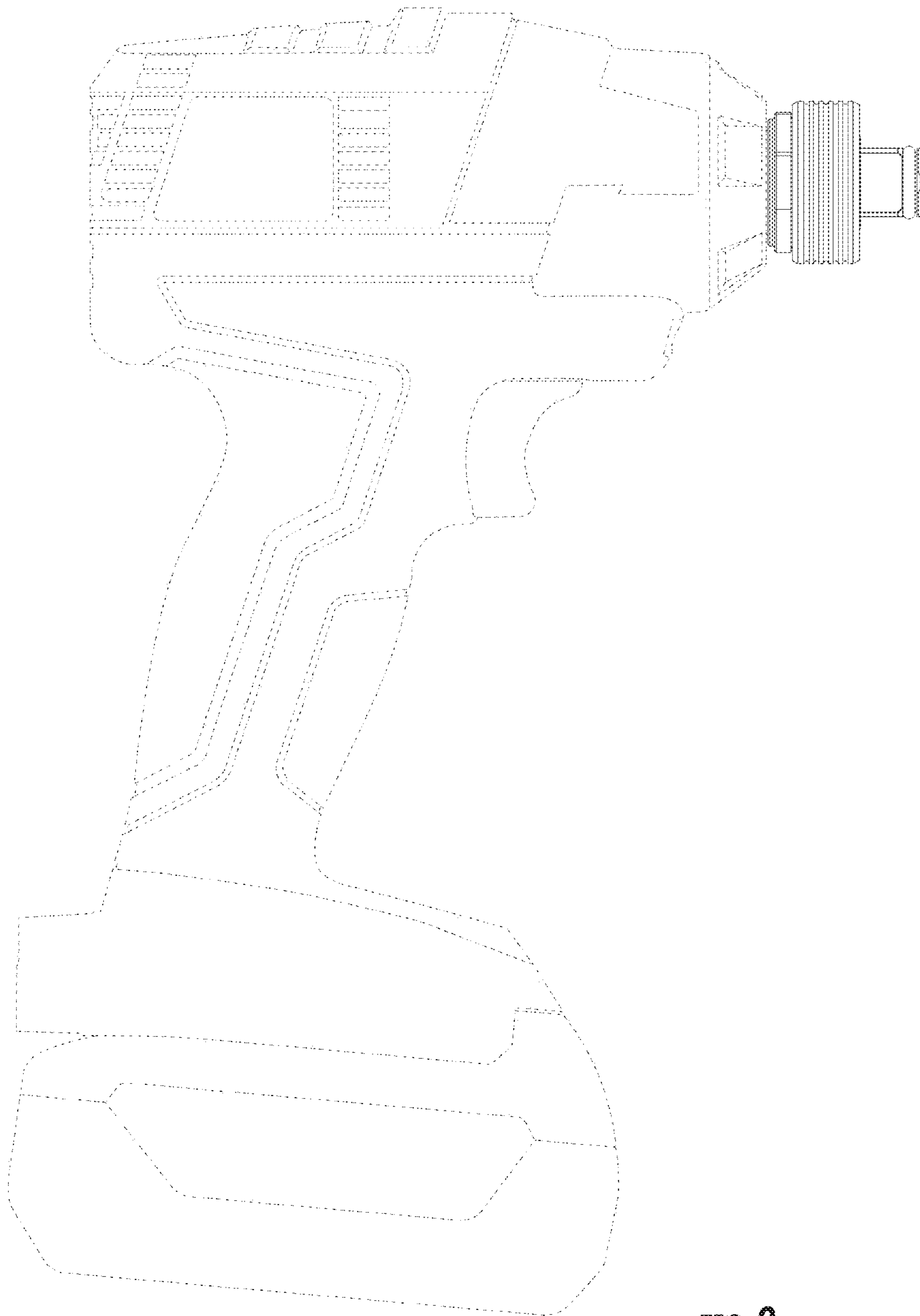


FIG. 3

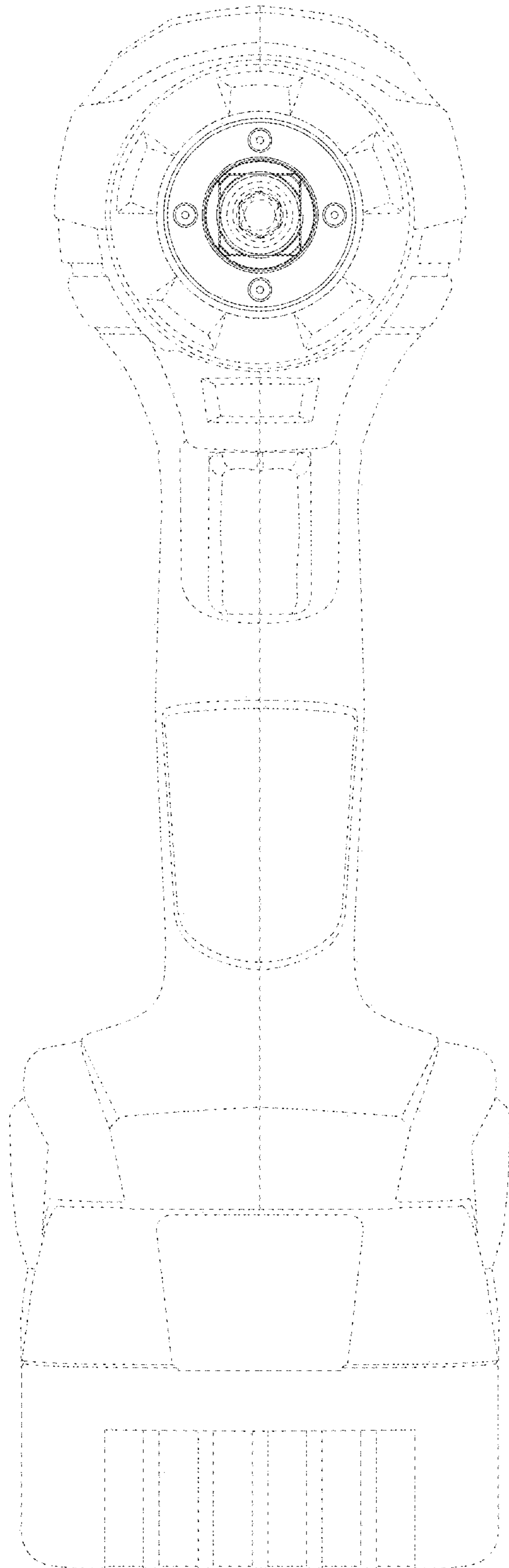


FIG. 4

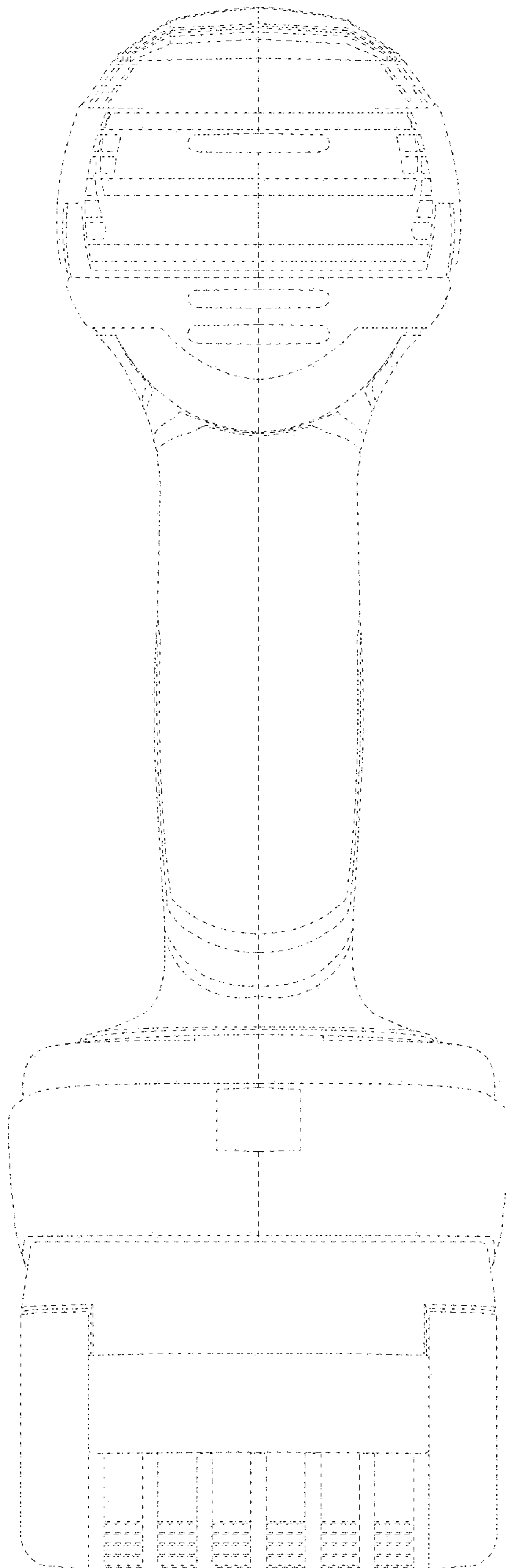


FIG. 5

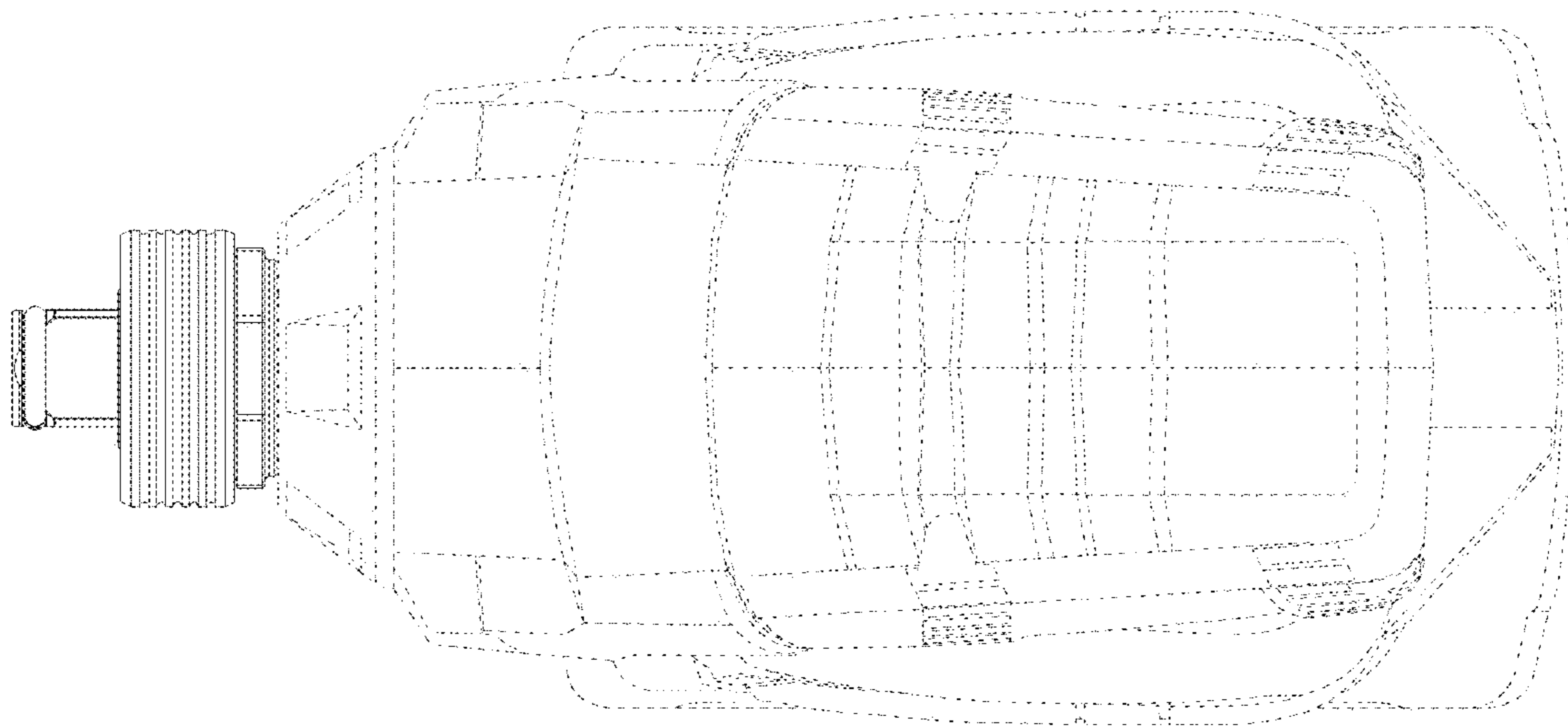


FIG. 6

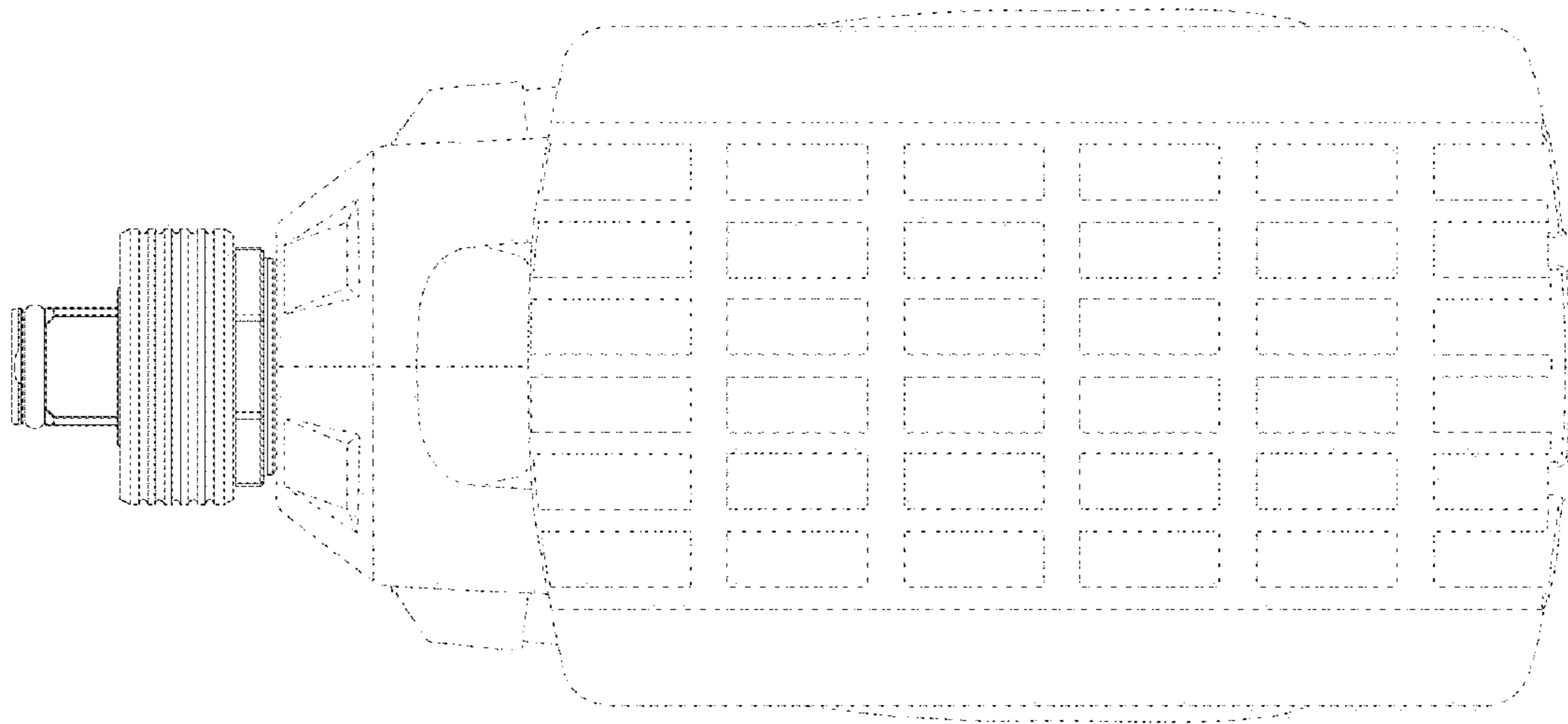


FIG. 7