



US00D713704S

(12) **United States Design Patent**
Wang

(10) **Patent No.:** **US D713,704 S**
(45) **Date of Patent:** **** Sep. 23, 2014**

- (54) **NAILER STAPLER**
 - (71) Applicant: **Jianhua Wang**, Diamond Bar, CA (US)
 - (72) Inventor: **Jianhua Wang**, Diamond Bar, CA (US)
 - (**) Term: **14 Years**
 - (21) Appl. No.: **29/453,871**
 - (22) Filed: **May 3, 2013**
 - (51) **LOC (10) Cl.** **08-03**
 - (52) **U.S. Cl.**
USPC **D8/68**
 - (58) **Field of Classification Search**
USPC D8/61-70; 173/2, 13, 46, 109, 110,
173/114, 170, 178, 198, 214, 217; 227/8,
227/113, 114, 120, 130, 136, 142; 408/20,
408/35, 58, 67, 117, 124, 125, 234, 241 R;
429/92; 318/139; 362/119
- See application file for complete search history.

7,413,105	B1 *	8/2008	Ho et al.	227/120
7,516,532	B2 *	4/2009	Wojcicki	29/428
2006/0118591	A1 *	6/2006	Ho	227/8
2009/0050668	A1 *	2/2009	Jian	227/126

FOREIGN PATENT DOCUMENTS

JP	2002346948	A *	12/2002	B25C 7/00
WO	WO 2008023590	A1 *	2/2008	B25C 1/00

* cited by examiner

Primary Examiner — Philip S Hyder
Assistant Examiner — Darlington Ly
(74) *Attorney, Agent, or Firm* — Jen-Feng Lee, Esq.

(57) **CLAIM**
I claim the ornamental design for a nailer stapler, as shown and described.

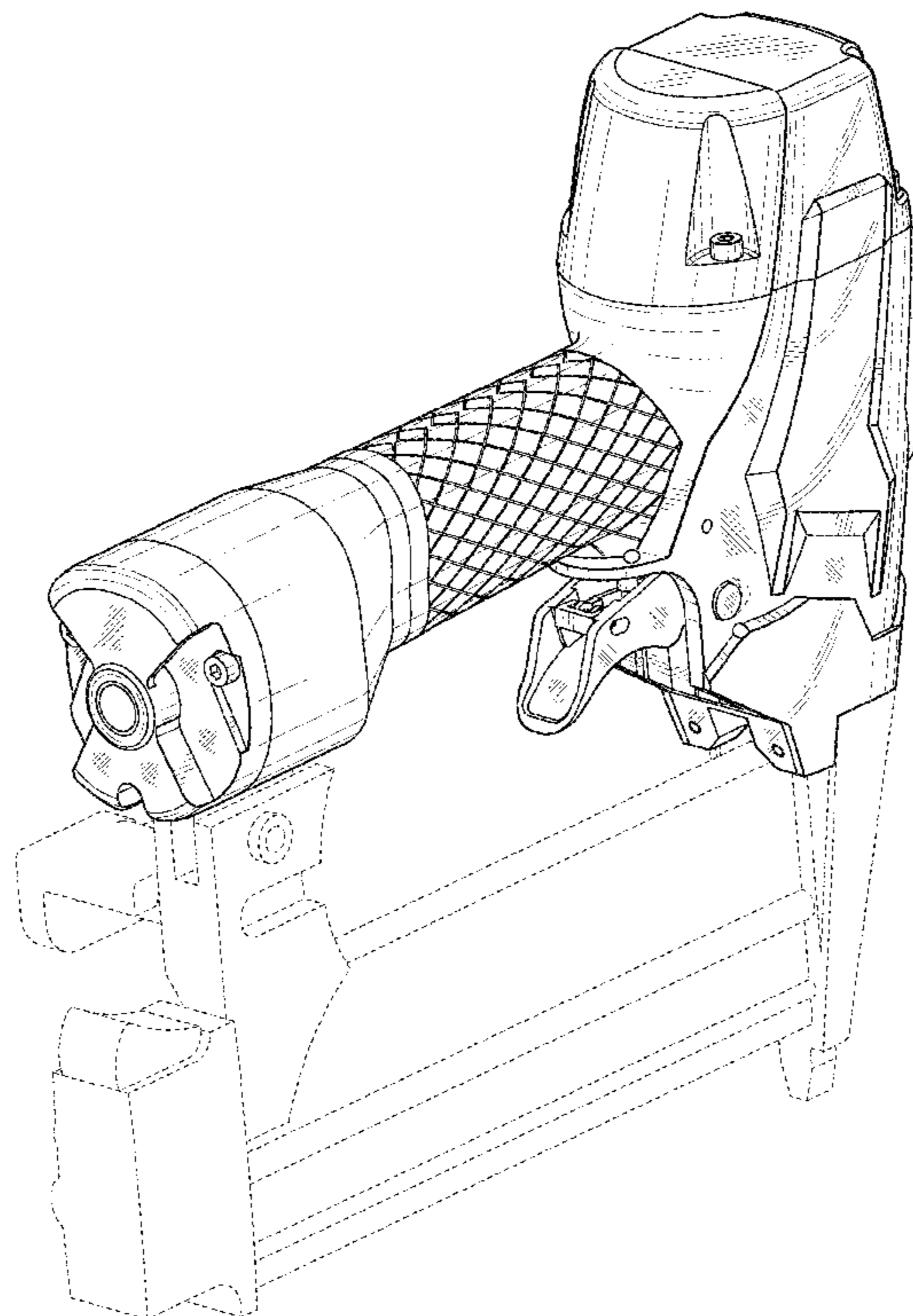
DESCRIPTION

FIG. 1 is a rear and left-side perspective view of a nailer stapler showing my new design;
FIG. 2 is a front and right-side perspective view thereof;
FIG. 3 is a right-side elevation view thereof;
FIG. 4 is a left-side elevation view thereof;
FIG. 5 is a front elevation view thereof;
FIG. 6 is a rear elevation view thereof;
FIG. 7 is a top plan view thereof; and,
FIG. 8 is a bottom plan view thereof.
The broken lines shown in the drawings illustrate portions of the nailer stapler that forms no part of claimed design.

1 Claim, 6 Drawing Sheets

(56) **References Cited**
U.S. PATENT DOCUMENTS

6,045,024	A *	4/2000	Phillips	227/130
D435,769	S *	1/2001	Etter et al.	D8/68
D475,597	S *	6/2003	Arai	D8/68
D478,490	S *	8/2003	Wu	D8/68
D479,110	S *	9/2003	Nolan et al.	D8/68
6,913,180	B2 *	7/2005	Schuster	227/109
D512,622	S *	12/2005	Thomas	D8/69
D553,931	S *	10/2007	Buck	D8/68
7,284,685	B1 *	10/2007	Wojcicki et al.	227/119



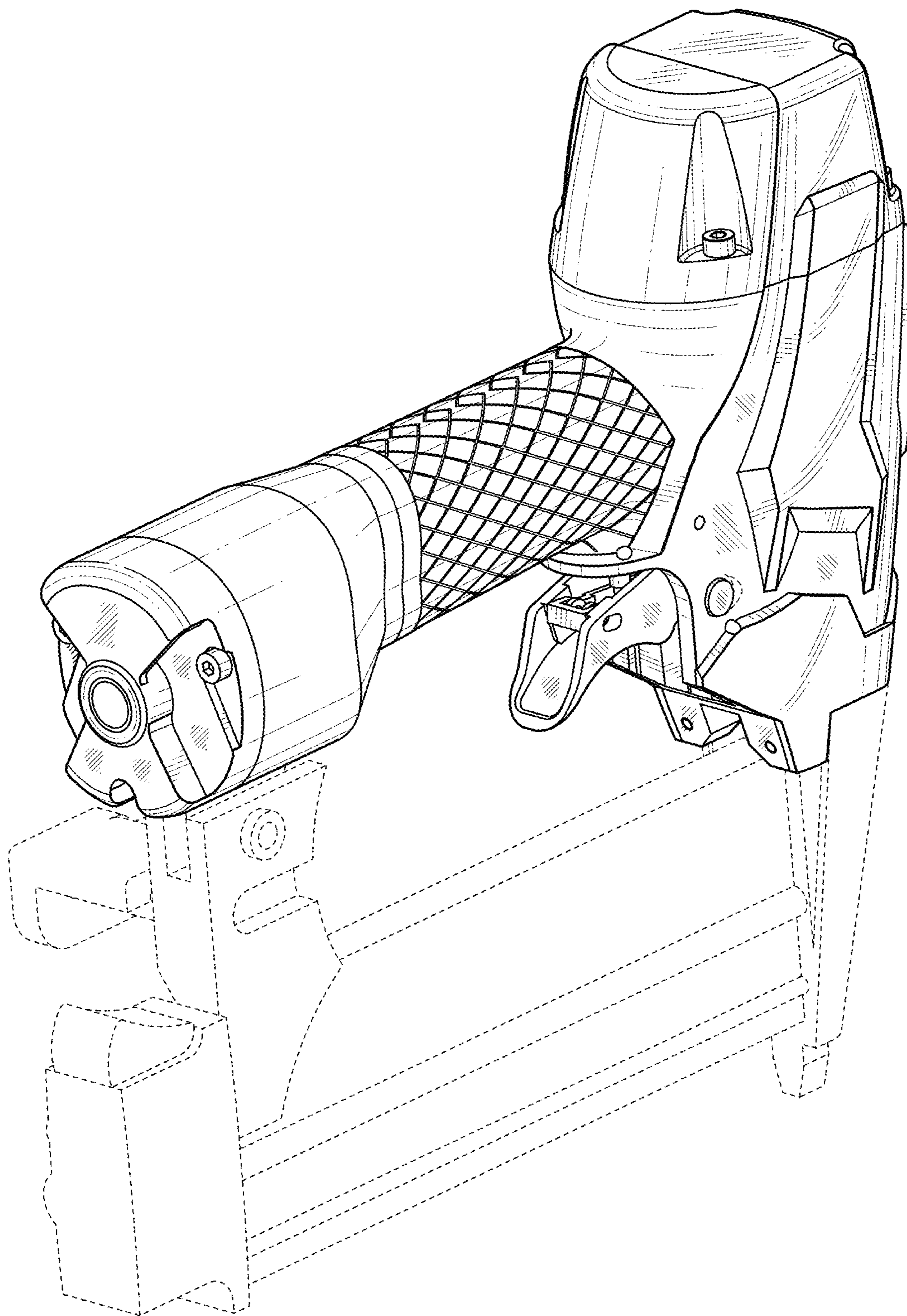


FIG. 1

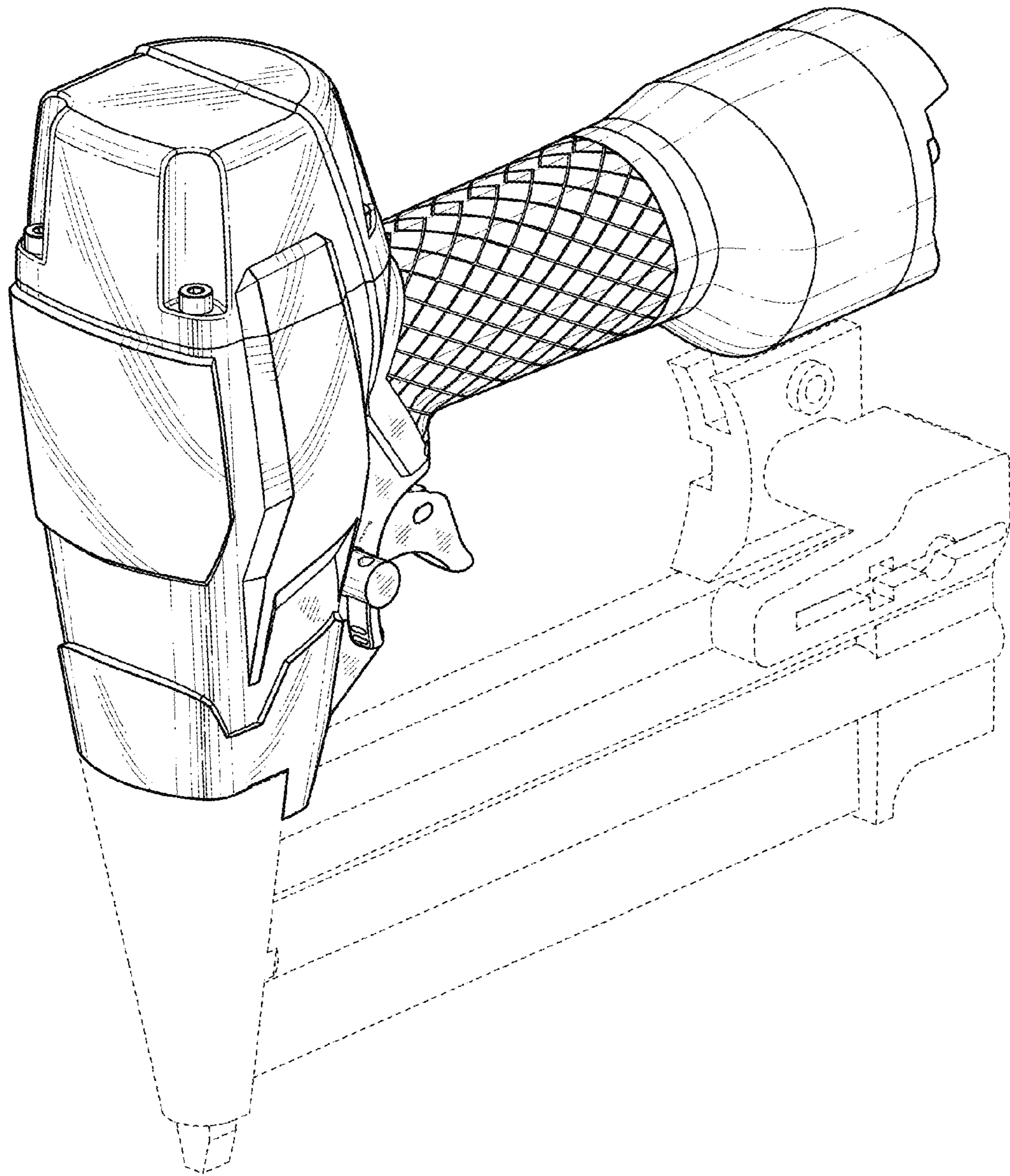


FIG. 2

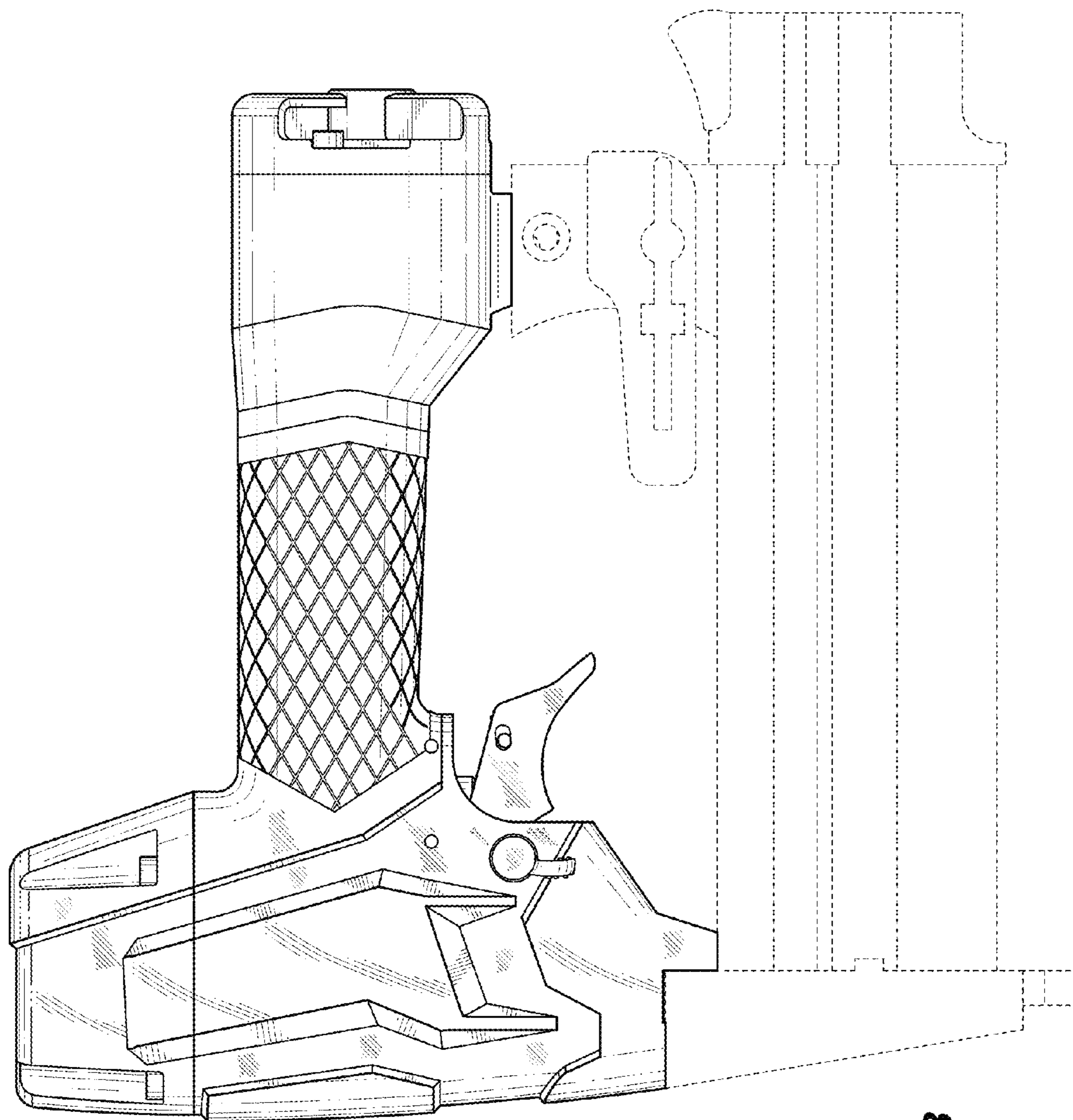


FIG. 3

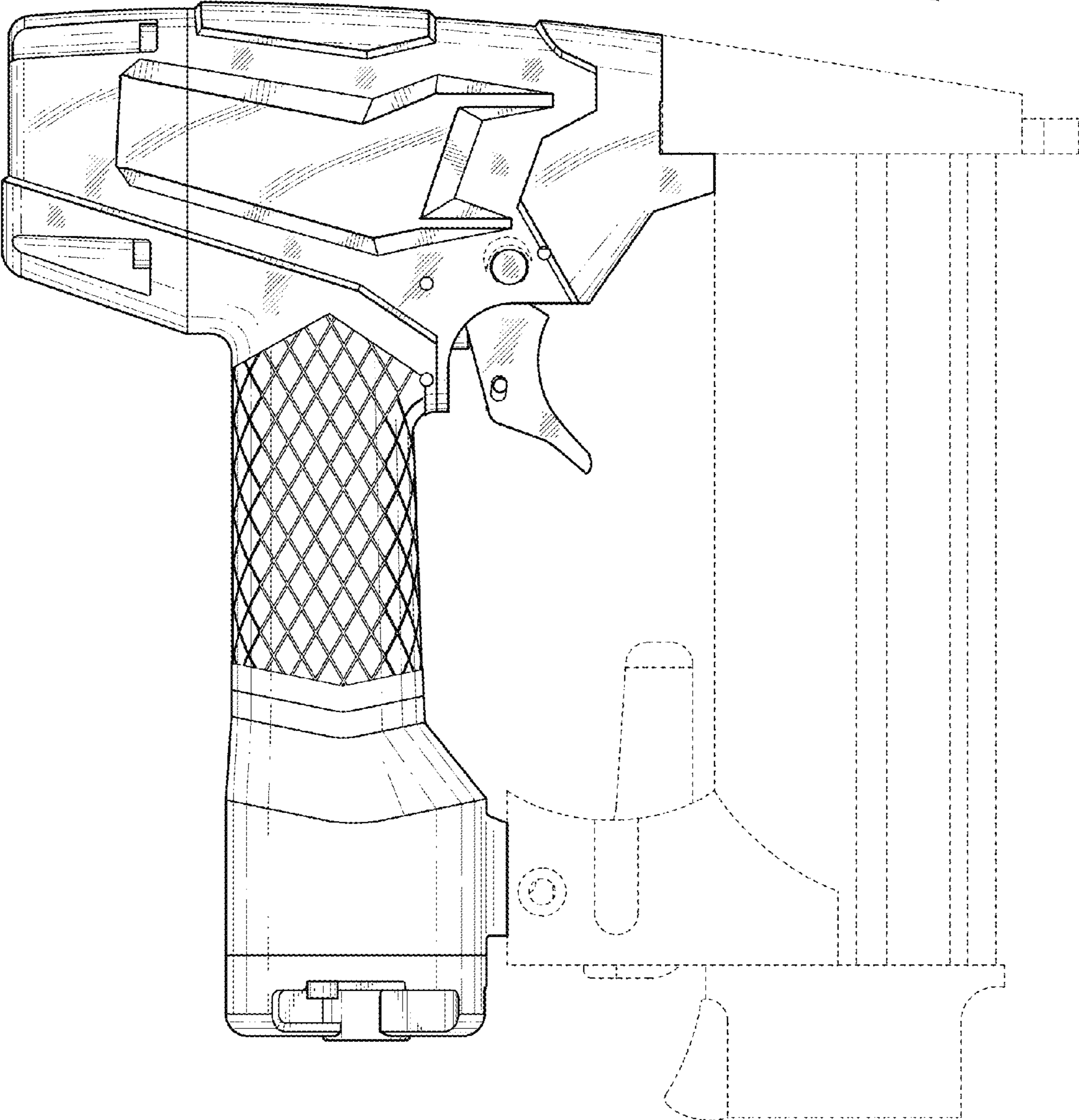


FIG. 4

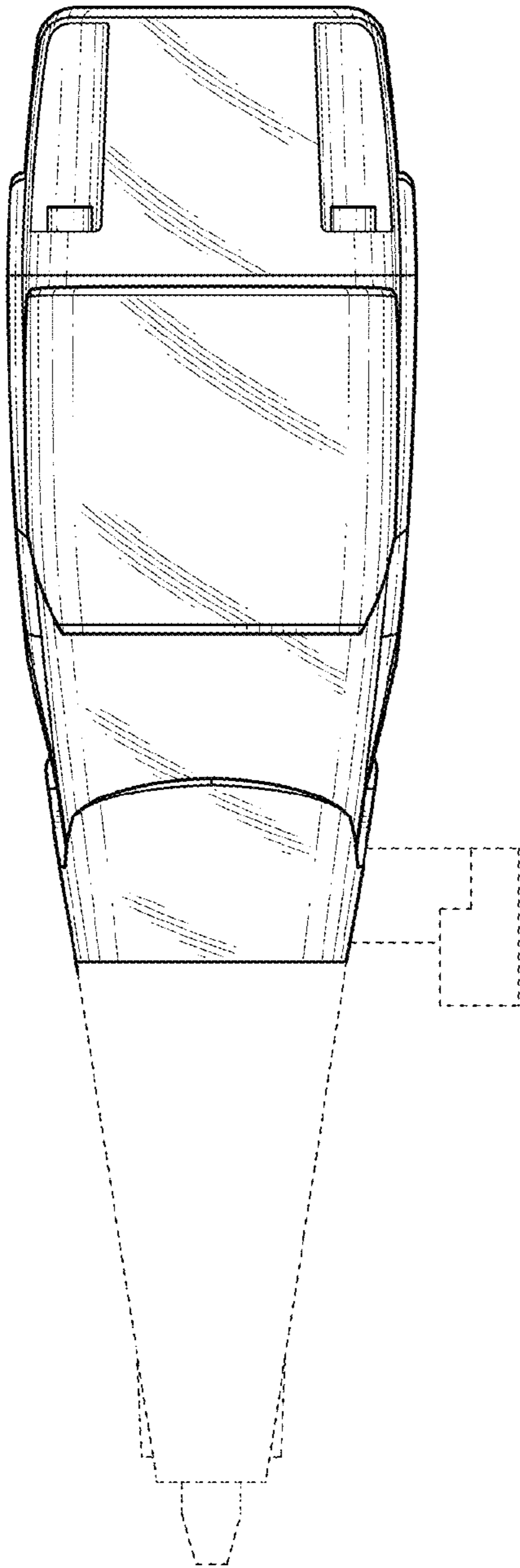


FIG. 5

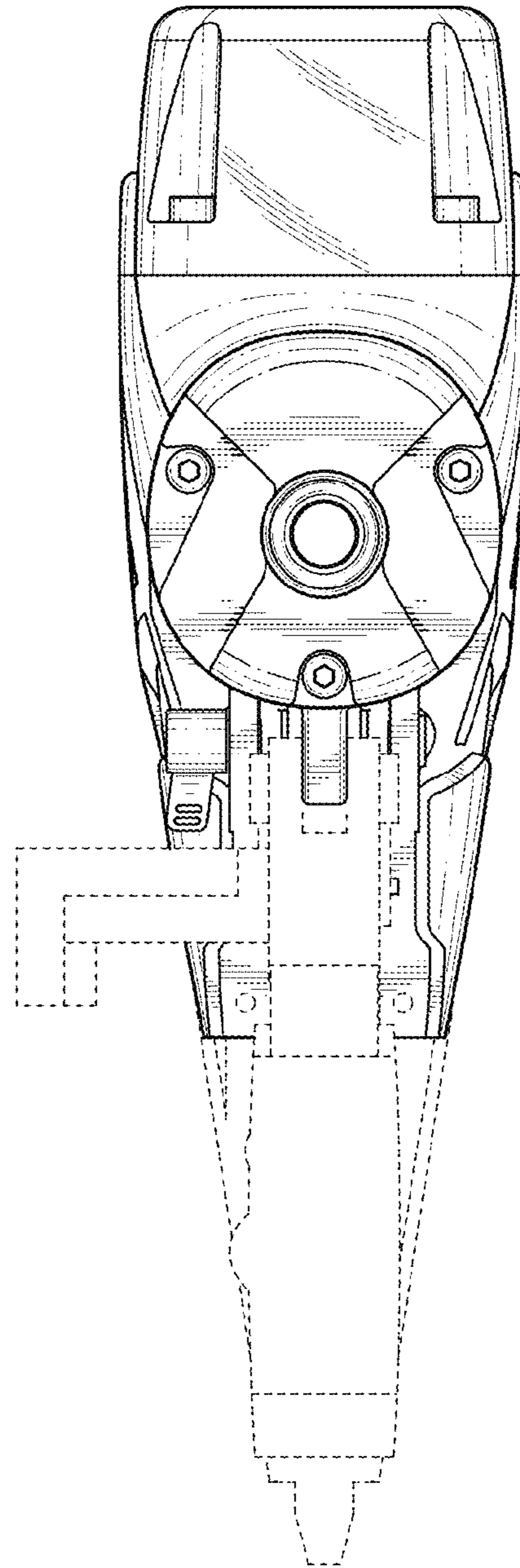


FIG. 6

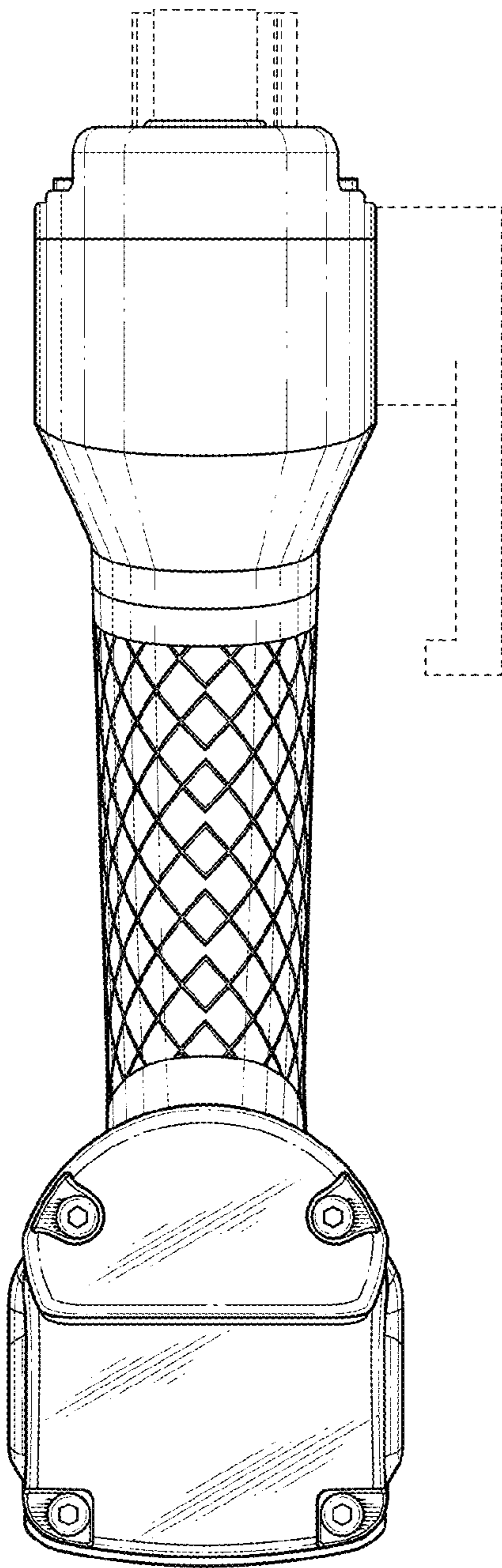


FIG. 7

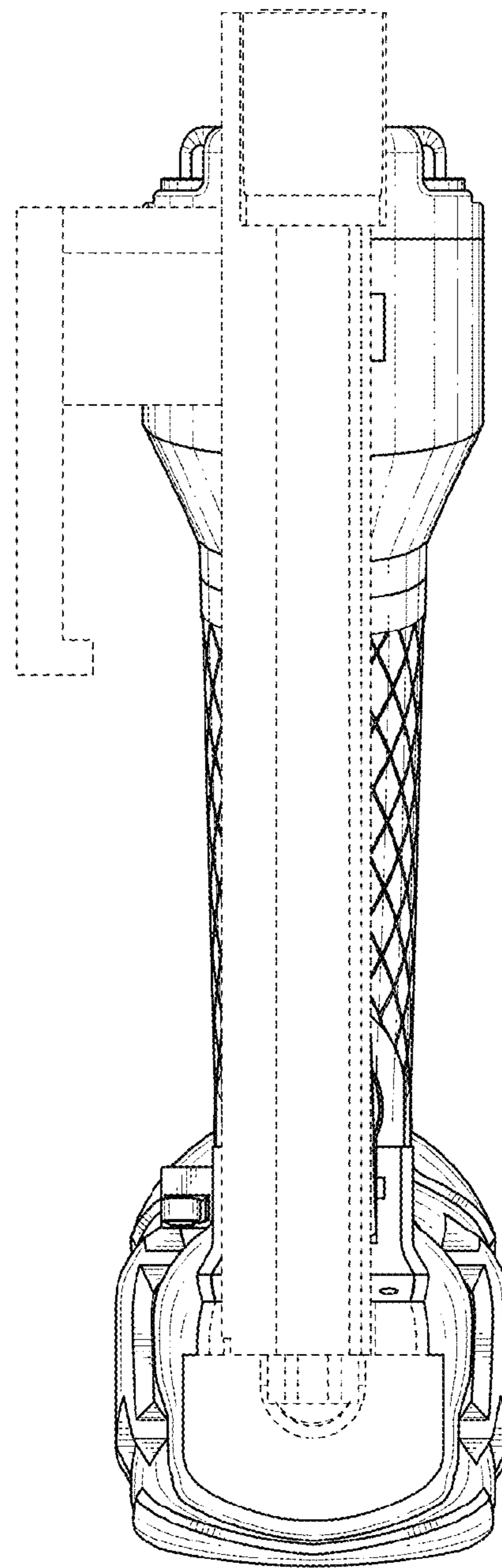


FIG. 8