



US00D713702S

(12) **United States Design Patent**
Perez et al.

(10) **Patent No.:** **US D713,702 S**

(45) **Date of Patent:** **** Sep. 23, 2014**

(54) **CIRCULAR SAW**

(75) Inventors: **Ricardo Perez**, Broad Brook, CT (US);
Bob Bruno, Avon, CT (US);
Christopher Weiland, Glenview, IL
(US); **Gregg Mangialardi**, Park Ridge,
IL (US); **Sean Gallagher**, Arlington
Heights, IL (US)

(73) Assignee: **Robert Bosch GmbH**, Stuttgart (DE)

(**) Term: **14 Years**

(21) Appl. No.: **29/392,770**

(22) Filed: **May 26, 2011**

(51) **LOC (10) CL.** **08-03**

(52) **U.S. CL.**
USPC **D8/66**

(58) **Field of Classification Search**
USPC D8/69, 68, 67, 66, 64, 61, 70;
83/698.41, 747, 166.3, 374, 373, 375,
83/376, 391, 377, 390, 388, 389;
125/13.01; 144/218

See application file for complete search history.

(56) **References Cited**

U.S. PATENT DOCUMENTS

4,870,758 A * 10/1989 Fushiya 30/388
D315,854 S * 4/1991 Kawakami et al. D8/66
D502,373 S * 3/2005 Wu D8/66
D504,297 S * 4/2005 Tillman et al. D8/66

D521,680 S * 5/2006 Chen D27/148
D528,390 S * 9/2006 Waldron D8/66
D559,645 S * 1/2008 Okuda et al. D8/66
D567,612 S * 4/2008 Wright et al. D8/66
D573,432 S * 7/2008 Gavins D8/66
D631,718 S * 2/2011 Aglassinger D8/66
D631,719 S * 2/2011 Aglassinger D8/66
D638,681 S * 5/2011 Yamada et al. D8/66
7,941,929 B2 * 5/2011 Miklosz et al. 30/388
D654,340 S * 2/2012 Kawase et al. D8/66
2004/0107584 A1 * 6/2004 Yoshida et al. 30/391

* cited by examiner

Primary Examiner — Austin Murphy

(74) *Attorney, Agent, or Firm* — Maginot, Moore & Beck

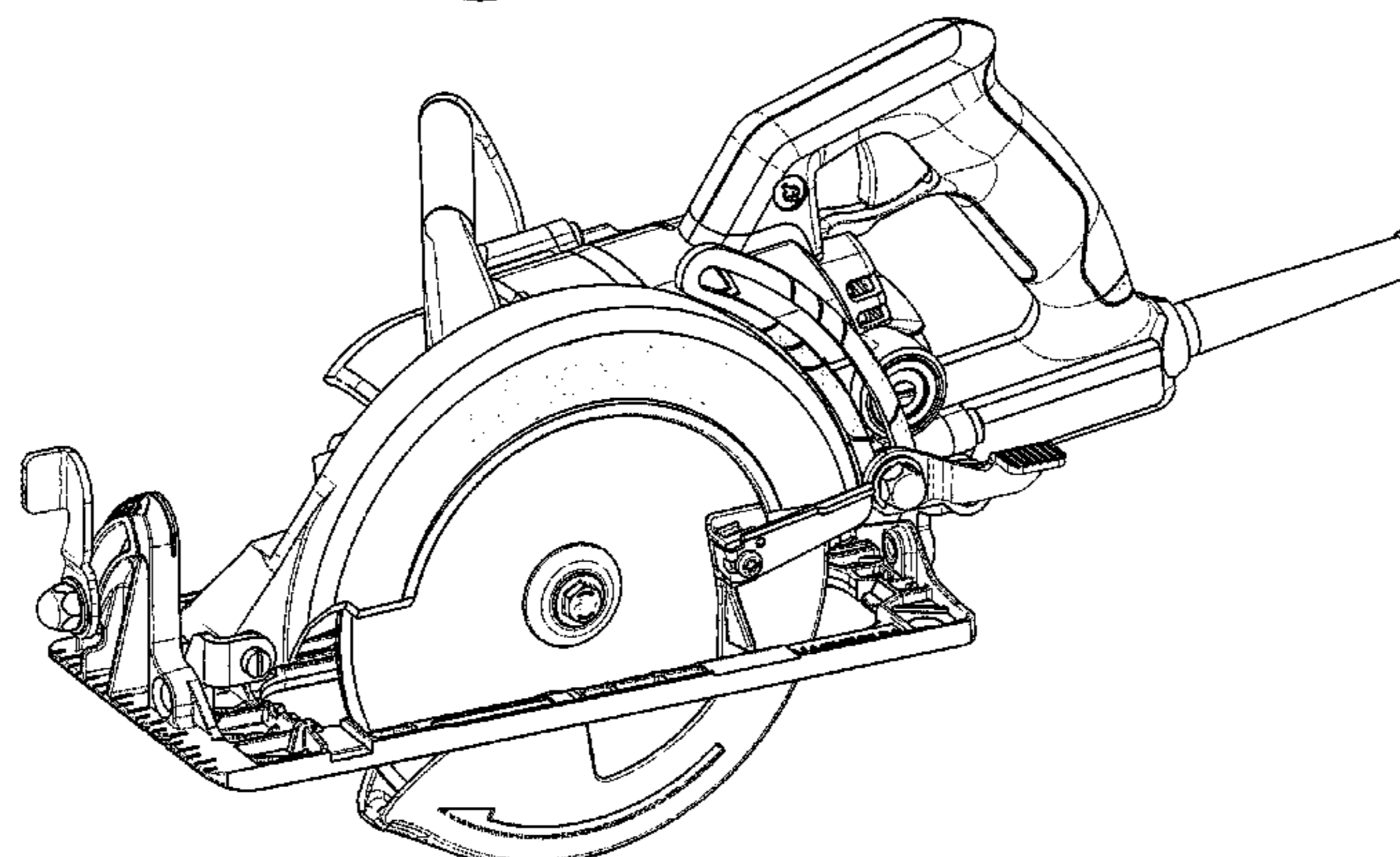
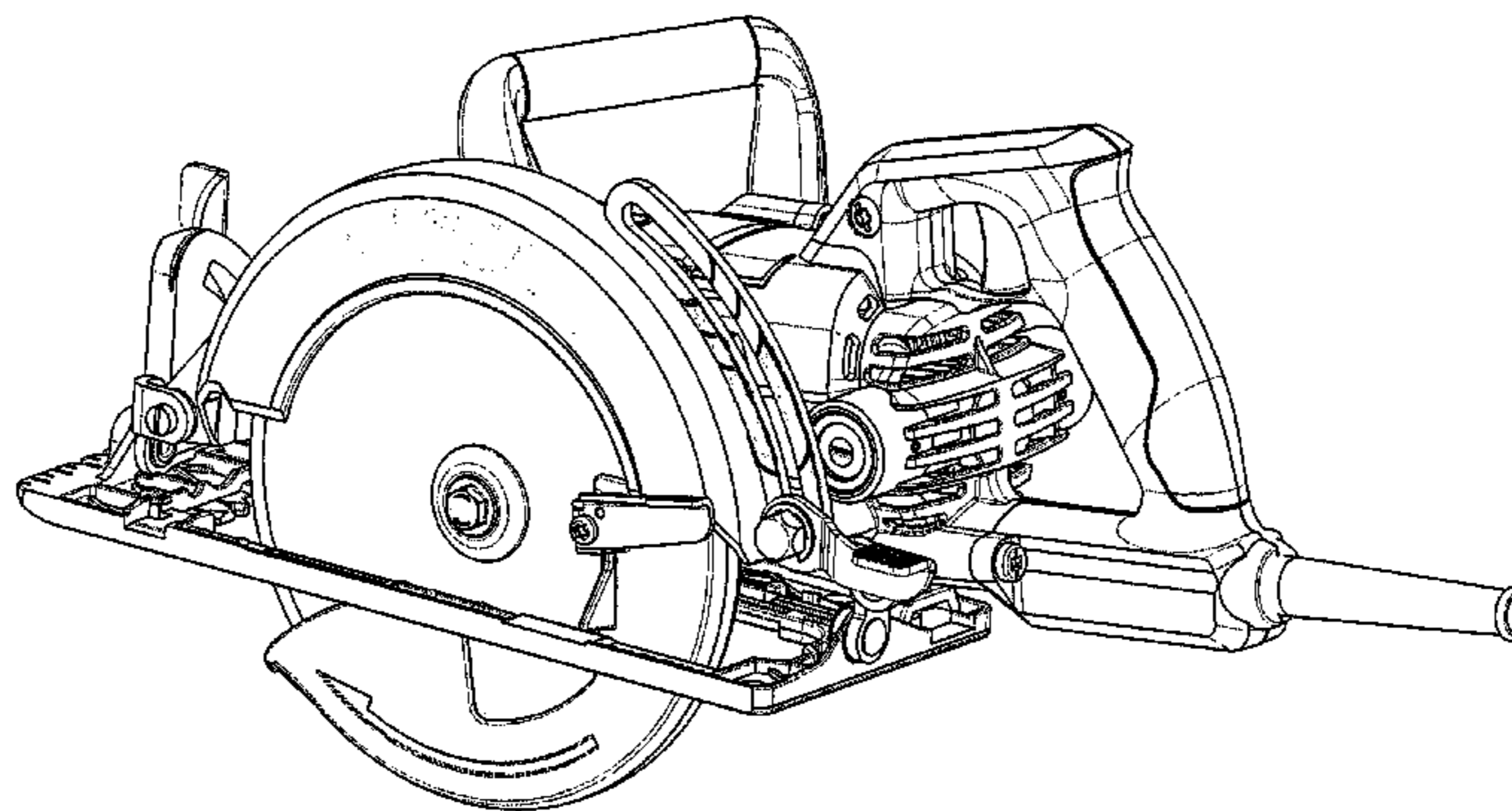
(57) **CLAIM**

The ornamental design for the circular saw, as shown and described.

DESCRIPTION

FIG. 1 is a rear left perspective view of the circular saw;
FIG. 2 is a front left perspective view thereof;
FIG. 3 is a rear right perspective view thereof;
FIG. 4 is a front right perspective view thereof;
FIG. 5 is a right side view thereof;
FIG. 6 is a rear view thereof;
FIG. 7 is a front view thereof;
FIG. 8 is a left side view thereof;
FIG. 9 is a top plan view thereof; and,
FIG. 10 is a bottom plan view thereof.
The broken lines shown in the figures represent contours of
the claimed design.

1 Claim, 10 Drawing Sheets



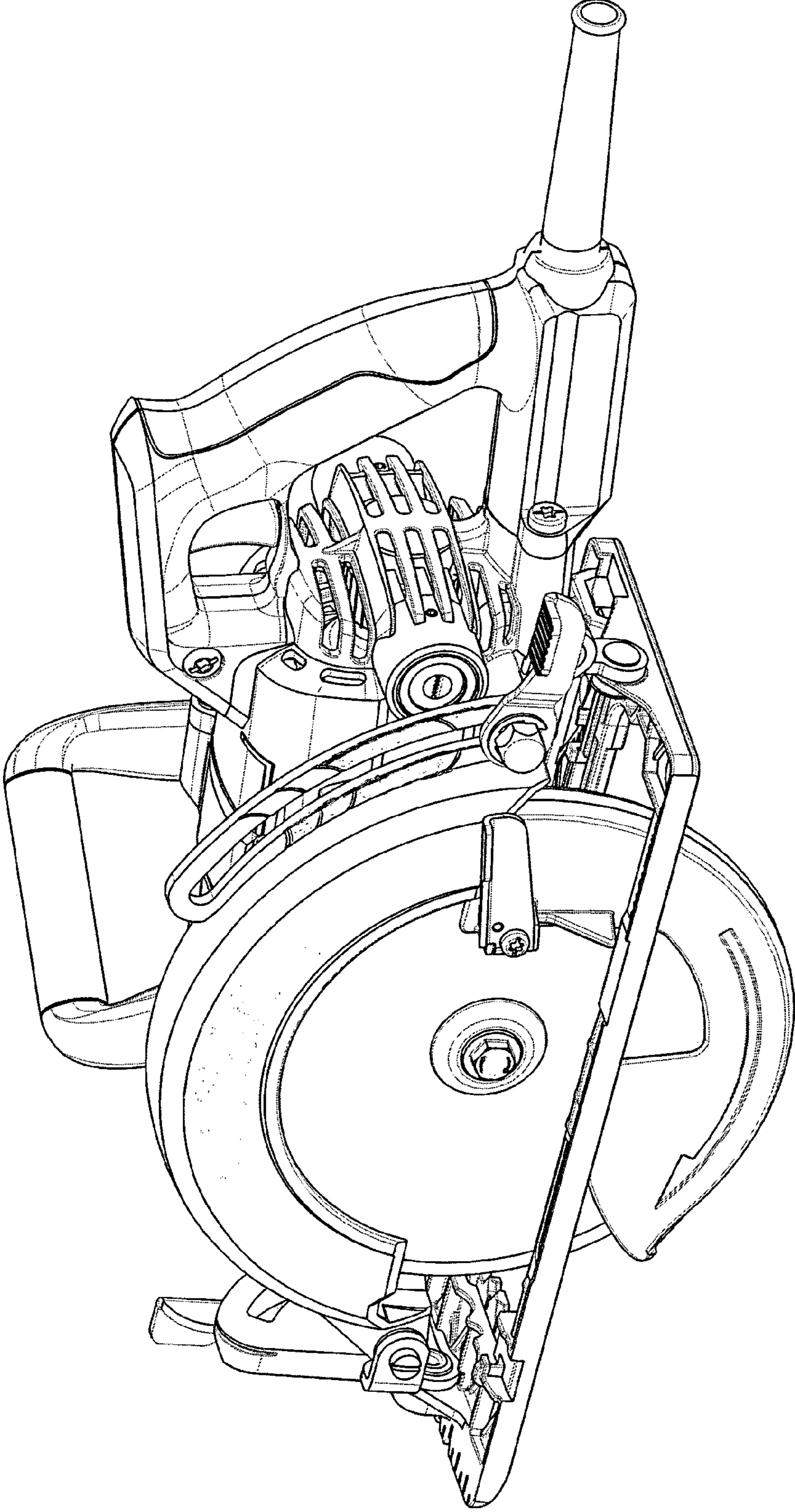


Fig. 1

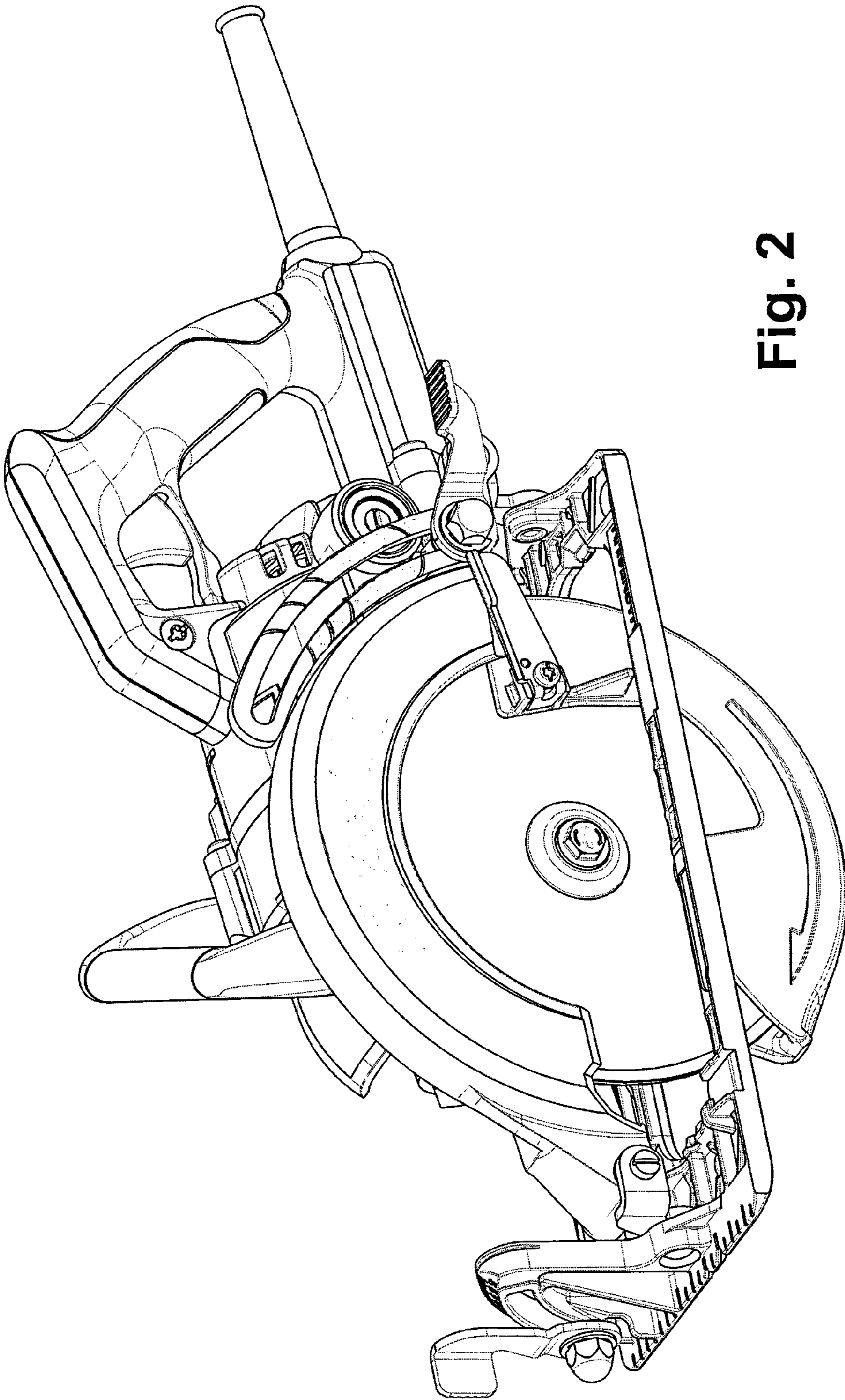


Fig. 2

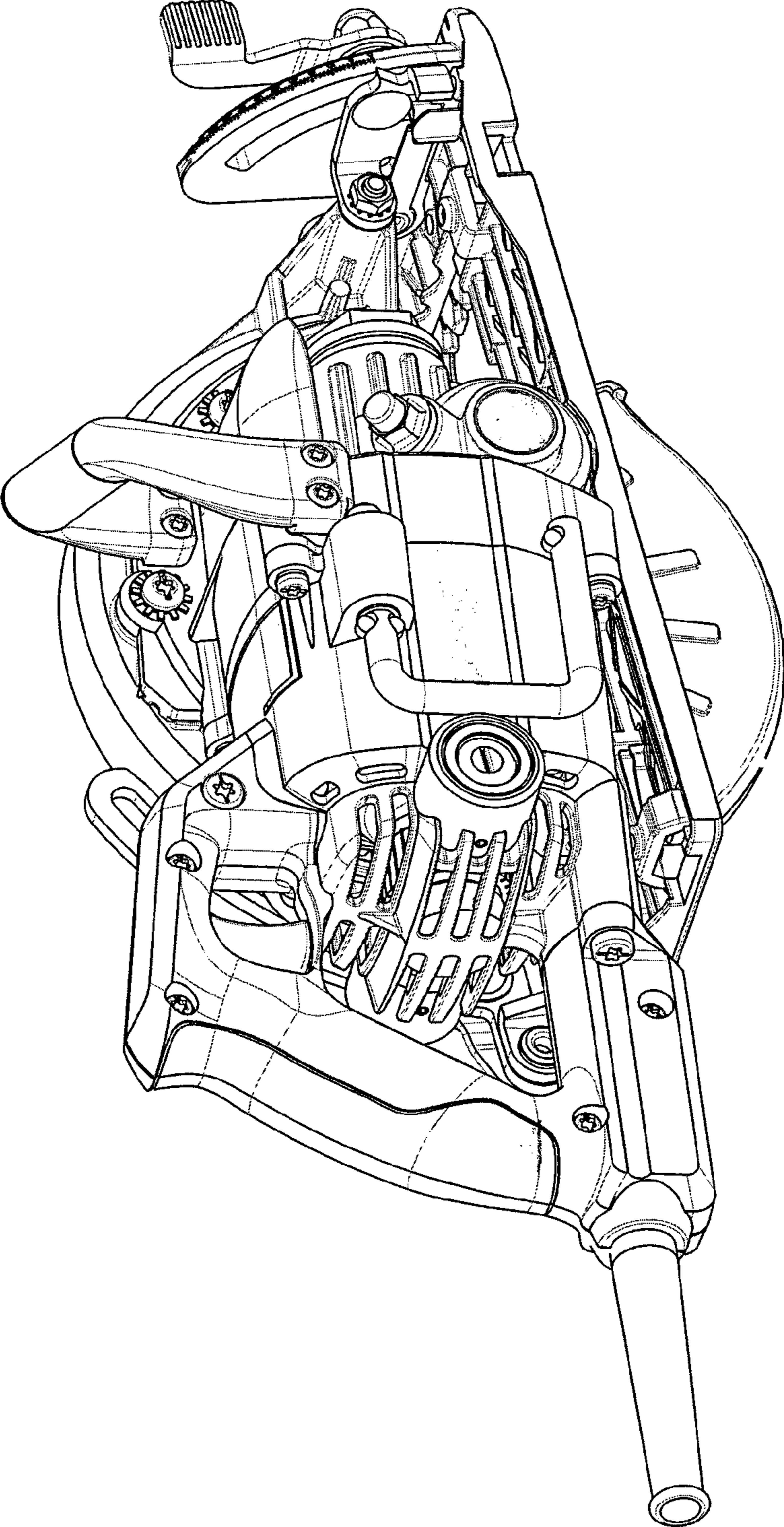


Fig. 3

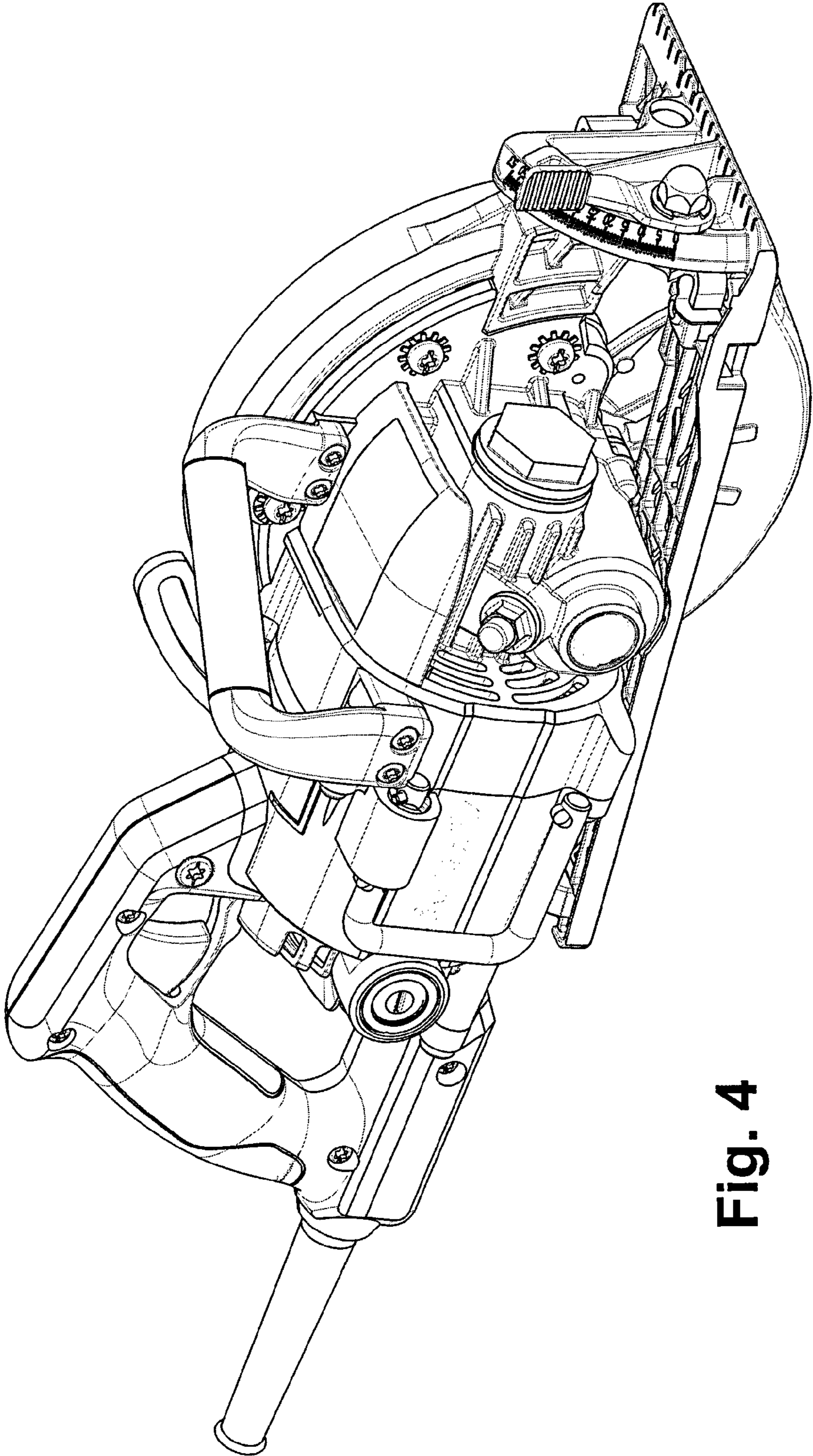


Fig. 4

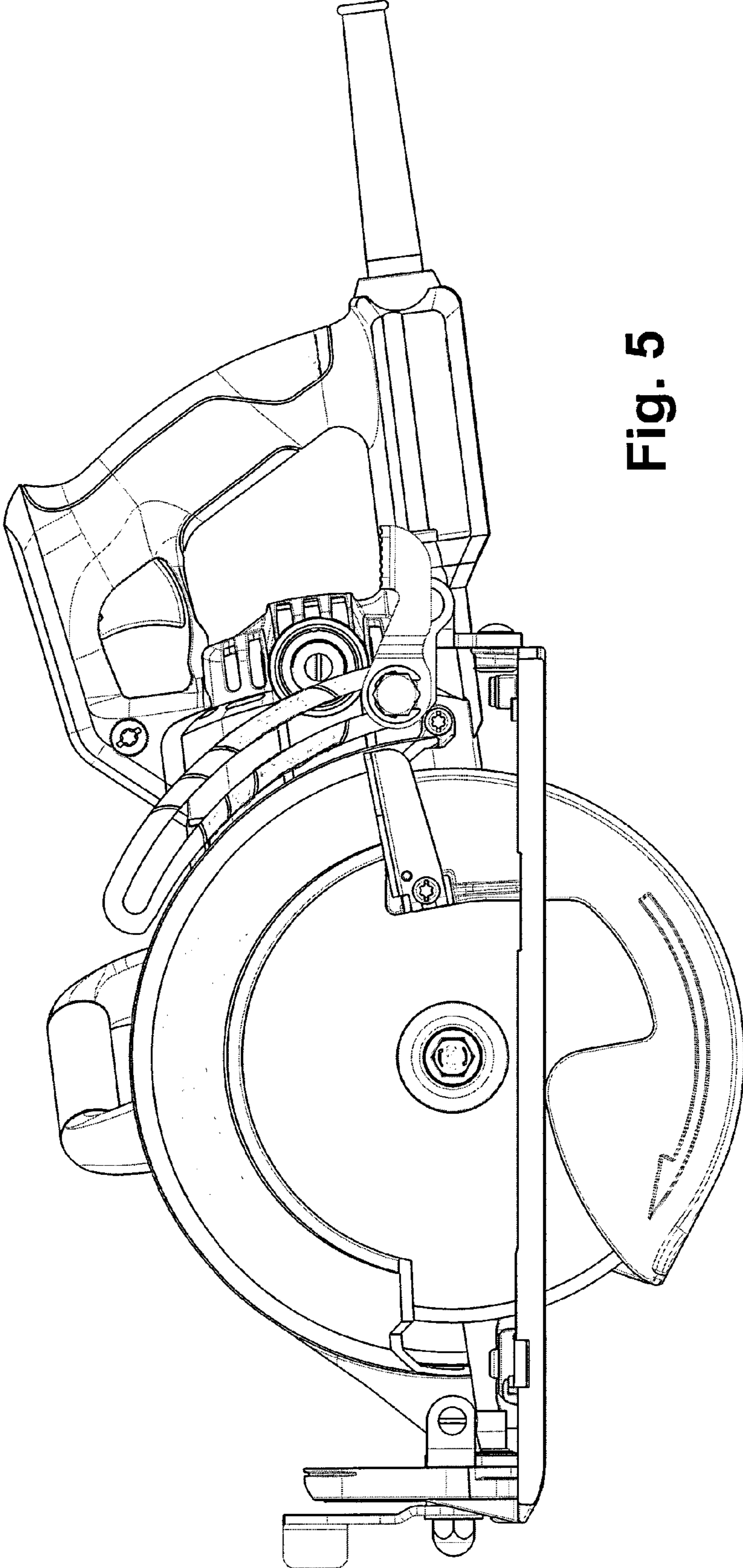


Fig. 5

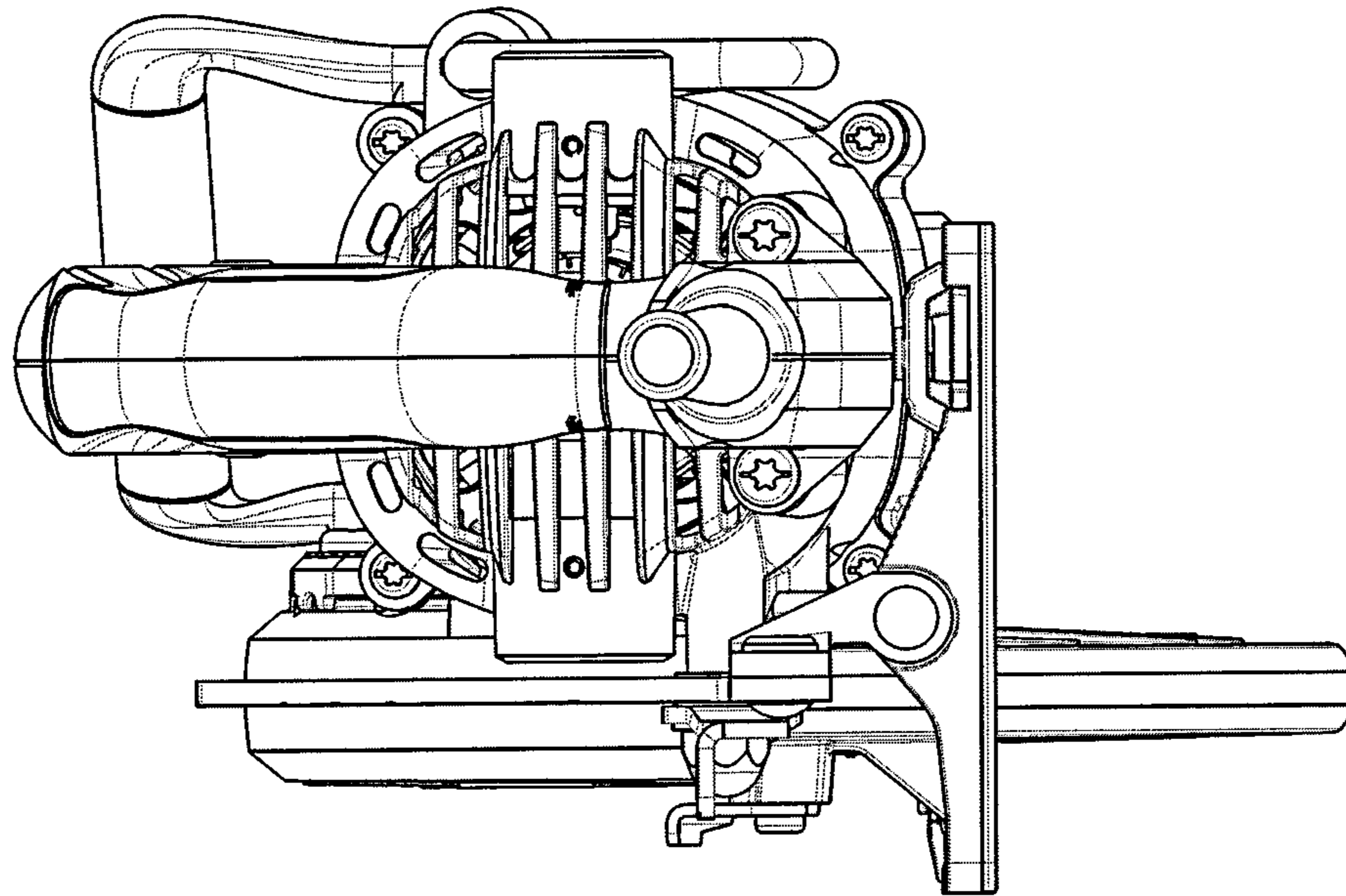


Fig. 6

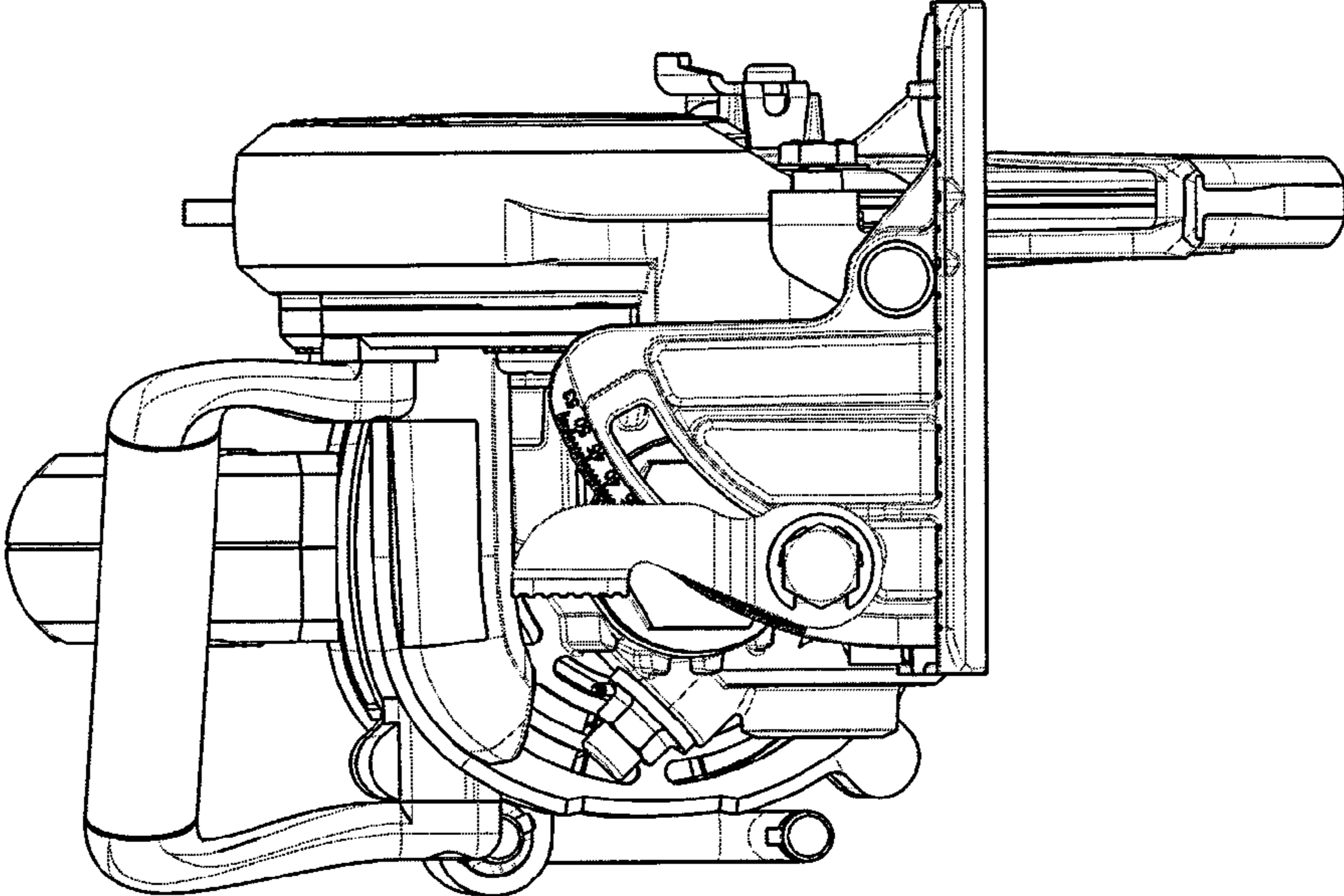


Fig. 7

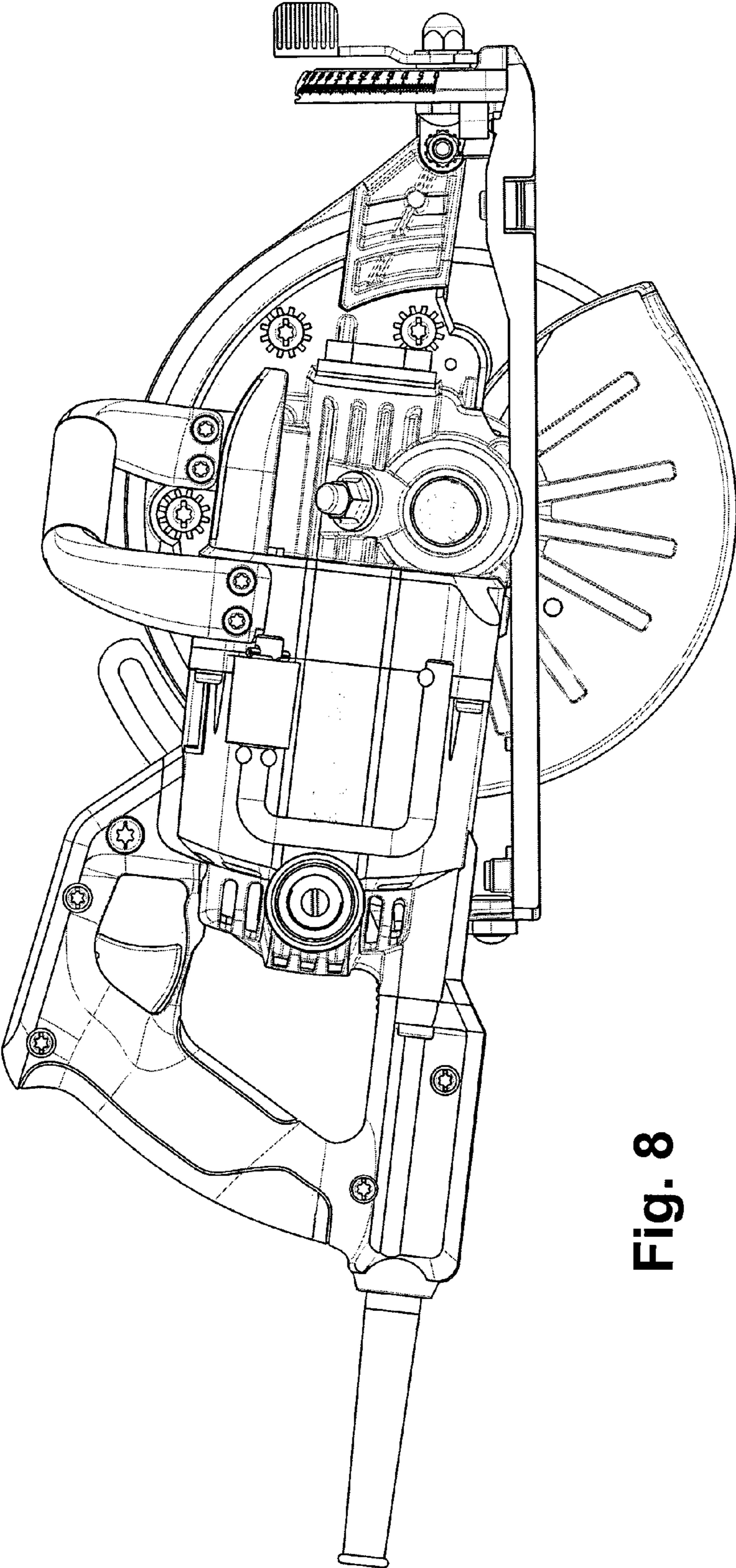


Fig. 8

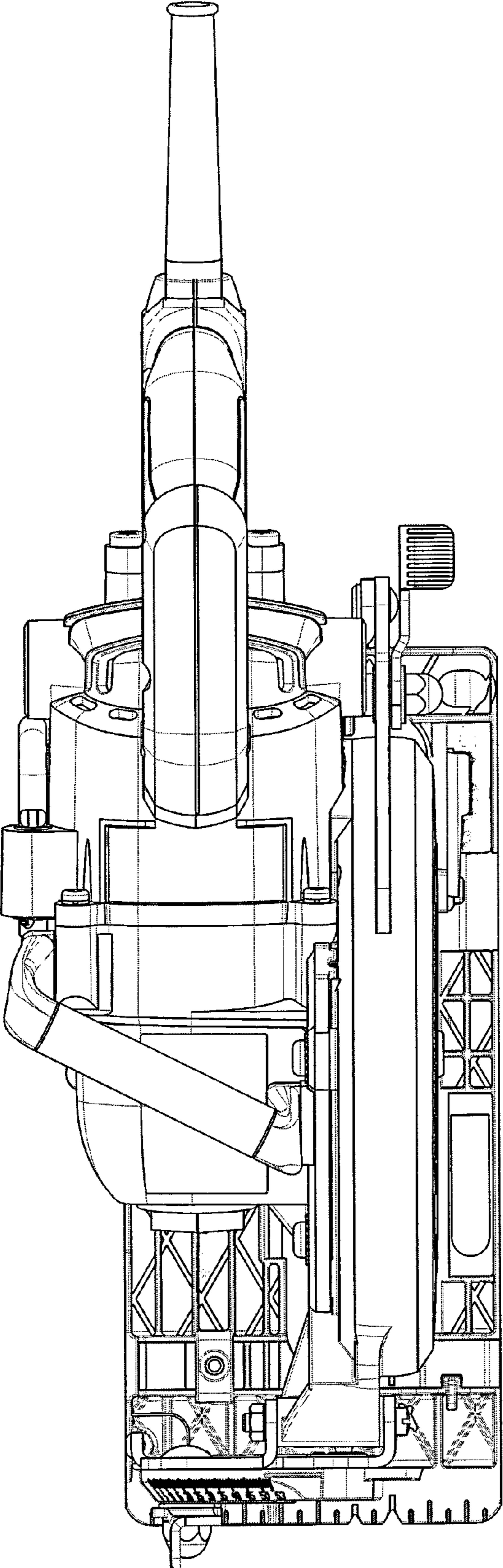


Fig. 9

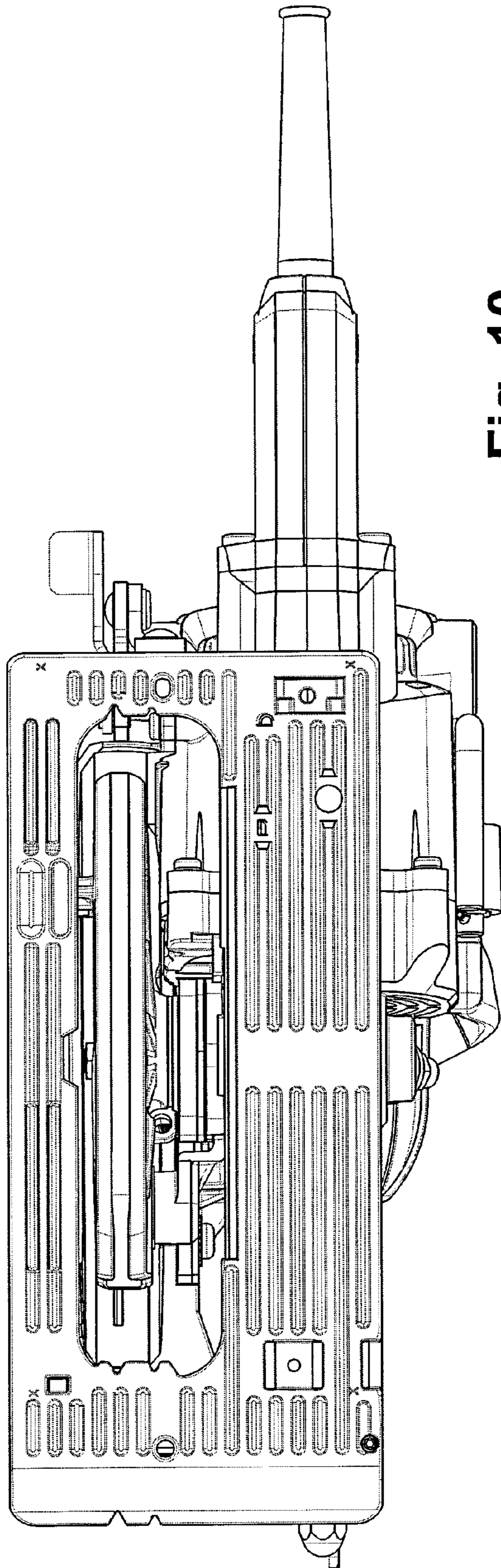


Fig. 10