



US00D713699S

(12) **United States Design Patent**  
**Bachman et al.**

(10) **Patent No.:** **US D713,699 S**

(45) **Date of Patent:** **\*\* \*Sep. 23, 2014**

(54) **BOTTLE OPENER**

(71) Applicants: **Tim Bachman**, Saint Paul, MN (US);  
**Todd Spreck**, White Bear Lake, MN (US)

(72) Inventors: **Tim Bachman**, Saint Paul, MN (US);  
**Todd Spreck**, White Bear Lake, MN (US)

(\*) Notice: This patent is subject to a terminal disclaimer.

(\*\*) Term: **14 Years**

(21) Appl. No.: **29/455,517**

(22) Filed: **May 21, 2013**

(51) **LOC (10) Cl.** ..... **07-99**

(52) **U.S. Cl.**  
USPC ..... **D8/40**

(58) **Field of Classification Search**  
USPC ..... D8/17, 18, 19, 21, 22, 26-29, 33-44,  
D8/77, 88, 89, 105; D11/132, 134, 138,  
D11/157, 163; 7/151-156; 30/400-410,  
30/416-430, 433, 434, 443, 450; 81/3.07,  
81/3.09, 3.2, 3.27, 3.29, 3.31, 3.35, 3.37,  
81/3.4, 3.45, 3.48, 3.55

See application file for complete search history.

(56) **References Cited**

U.S. PATENT DOCUMENTS

1,007,502	A	*	10/1911	Stephens	.....	81/3.09
D318,406	S	*	7/1991	Gabriele	.....	D8/40
D391,134	S	*	2/1998	Laib	.....	D8/40
D420,265	S	*	2/2000	Pierce	.....	D8/40
D434,623	S	*	12/2000	Cheng	.....	D8/40
D496,570	S	*	9/2004	Wolf	.....	D8/40
D541,122	S		4/2007	Chaconas		
D661,559	S	*	6/2012	O'Connell et al.	.....	D8/18
D662,383	S		6/2012	Cizek		

D693,660	S	*	11/2013	Hackett et al.	.....	D8/18
8,607,668	B1	*	12/2013	Frank et al.	.....	81/3.09
2005/0252343	A1	*	11/2005	Turner	.....	81/3.09
2007/0079670	A1		4/2007	Chaconas et al.		

OTHER PUBLICATIONS

Sears; Craftsman Cap Wrench Bottle Opener; Public distribution 2007 accessed Aug. 19, 2013; <http://www.sears.com/craftsman-cap-wrench-bottle-opener/p-00944500000P?prdNo=1&blockNo>.

Sears; Craftsman Cap Wrench Bottle Opener; Public distribution 2007; Photographs taken Aug. 20, 2013.

Bachman Bottle Opener; Public distribution Sep. 1, 2010; Photographs taken Aug. 20, 2013.

\* cited by examiner

*Primary Examiner* — Elizabeth Albert

(74) *Attorney, Agent, or Firm* — Adams Monahan, LLP; Brittany Nanzig

(57) **CLAIM**

The ornamental design for a bottle opener, as shown and described.

**DESCRIPTION**

FIG. 1 is a top view of a bottle opener showing our new design.

FIG. 2 is a top right side perspective view of the bottle opener; the top left side perspective view is a mirror image of the top right side perspective view.

FIG. 3 is a top right side perspective cross-sectional view of the bottle opener taken from the line 3-3 in FIG. 2; the top left side perspective cross-sectional view is a mirror image of the top right perspective cross-sectional view.

FIG. 4 is a right side view of the bottle opener; the left side view is a mirror image of the right side view.

FIG. 5 is a bottom view of the bottle opener; and, FIG. 6 is a bottom right side perspective view of the bottle opener; the bottom left side perspective view is a mirror image of the bottom right side perspective view.

**1 Claim, 3 Drawing Sheets**

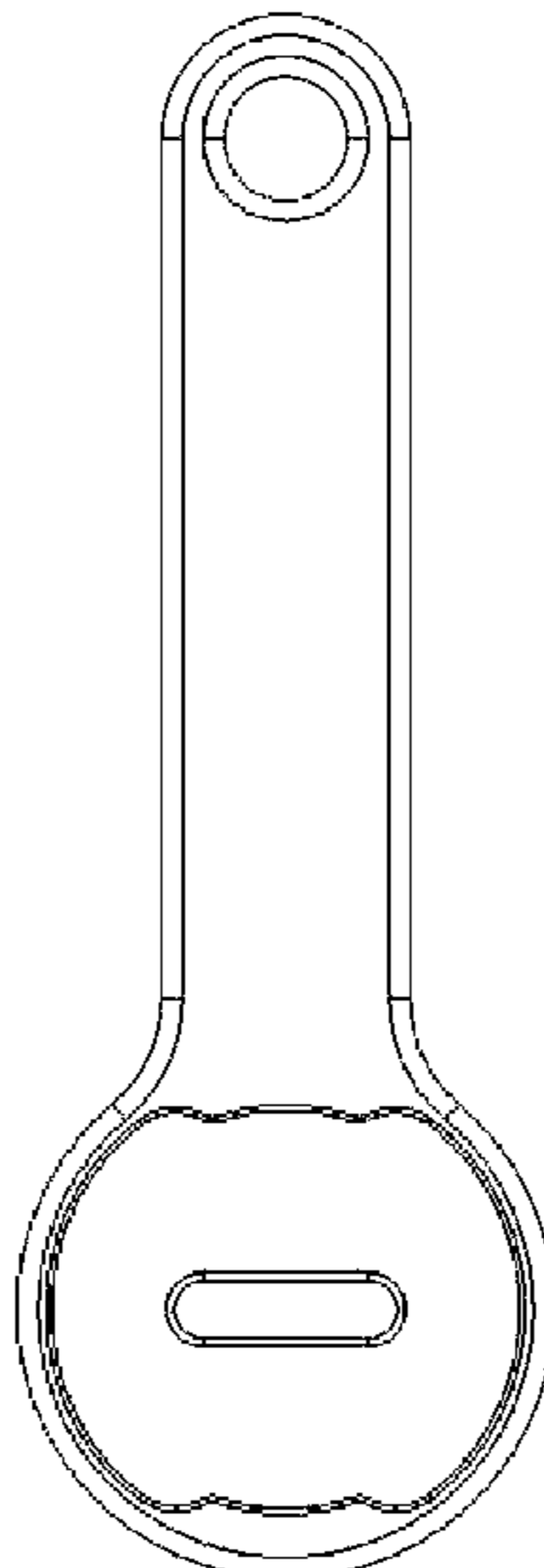


FIG. 1

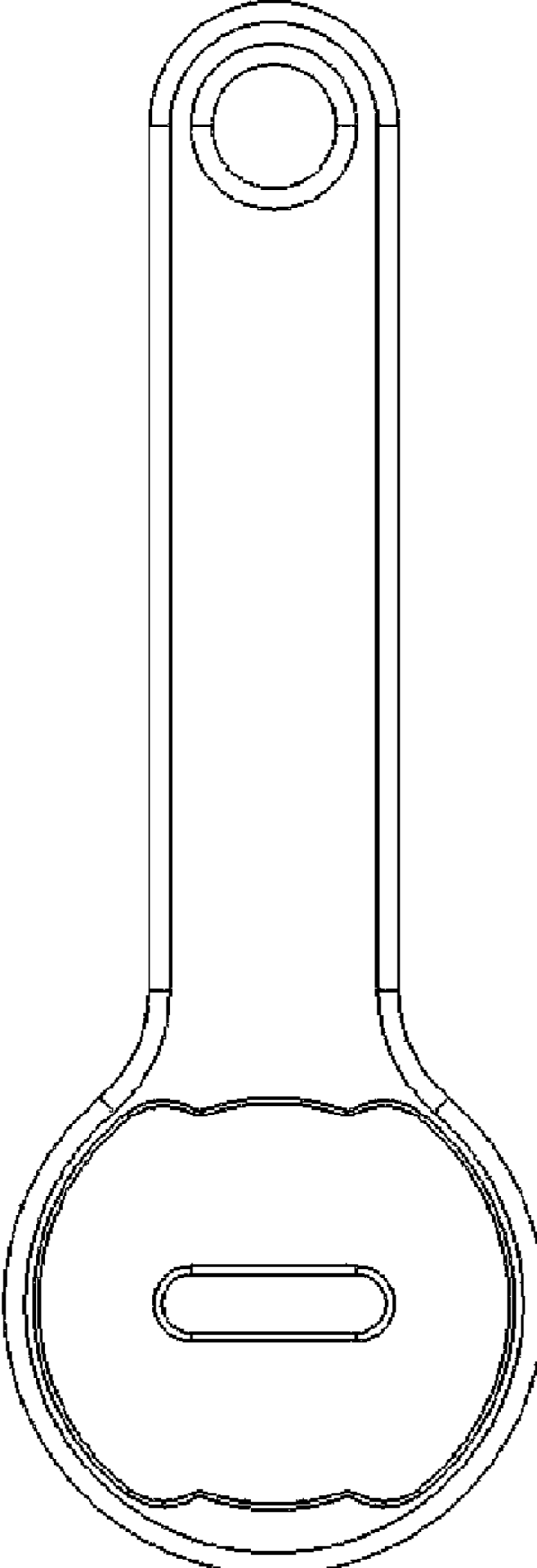


FIG. 2

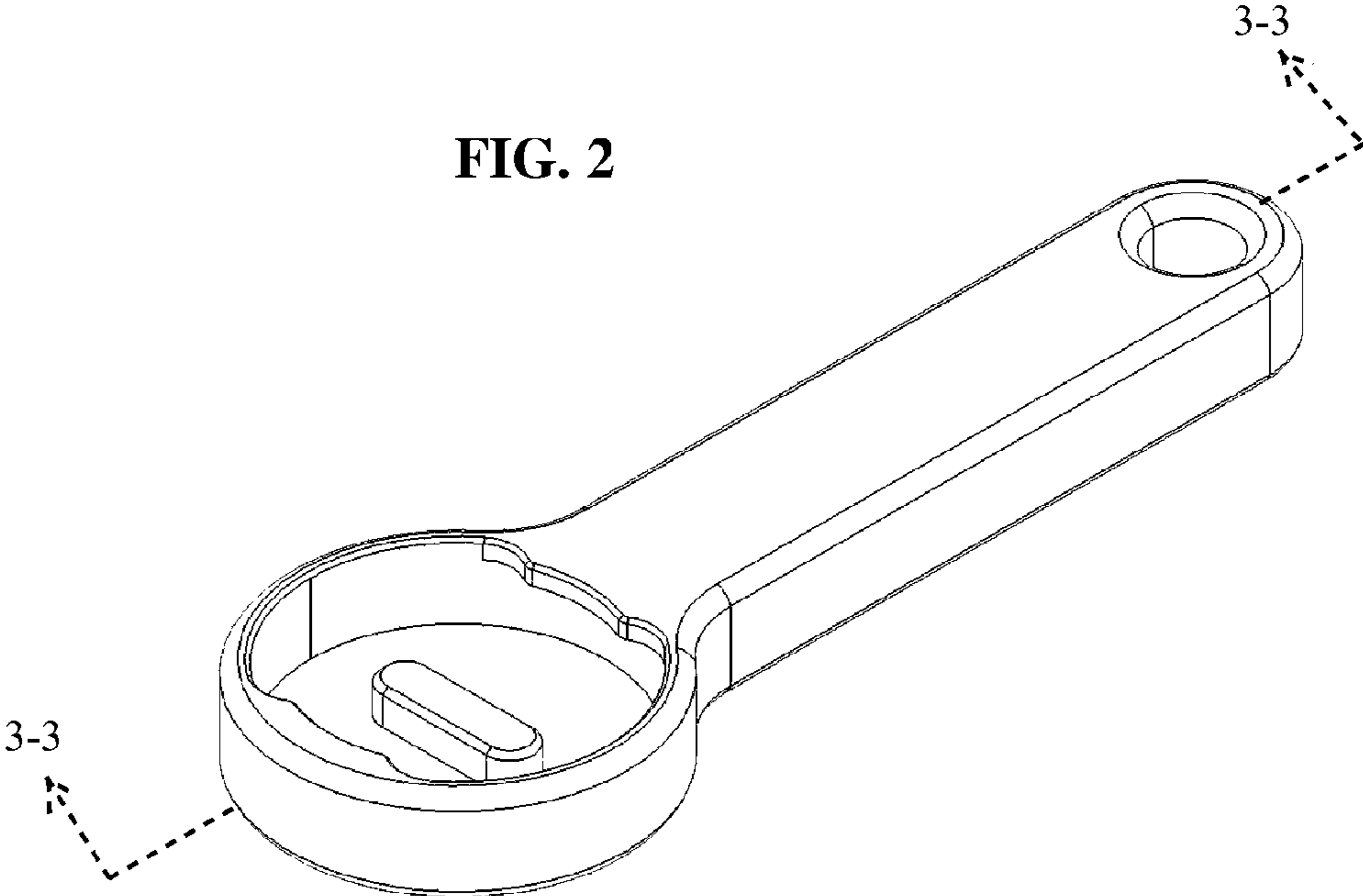


FIG. 3

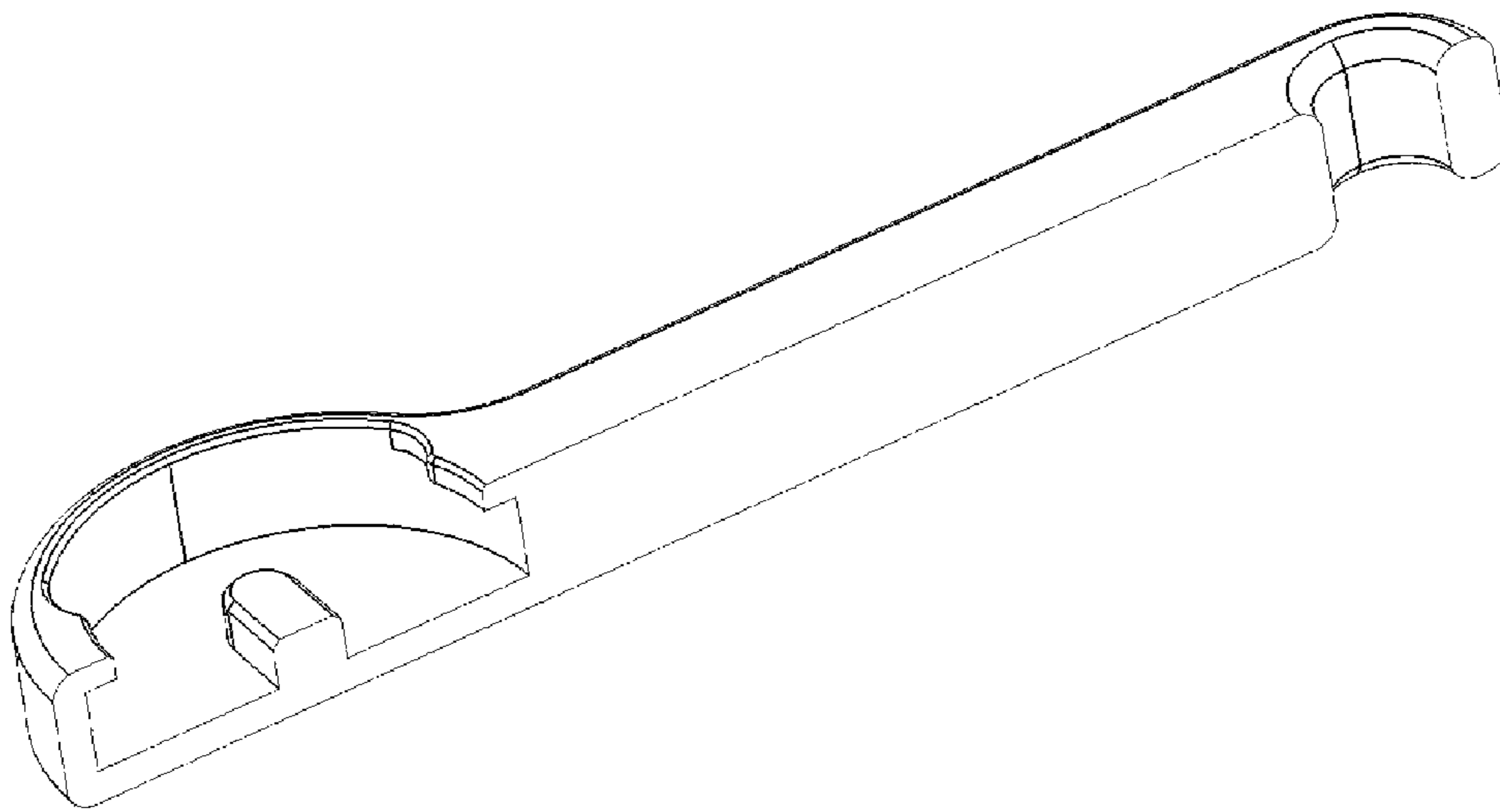


FIG. 4

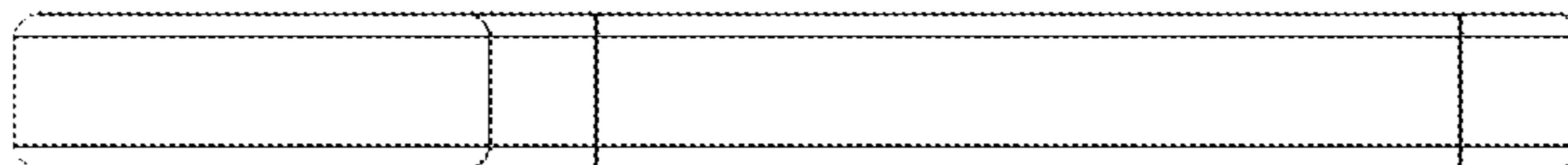


FIG. 5

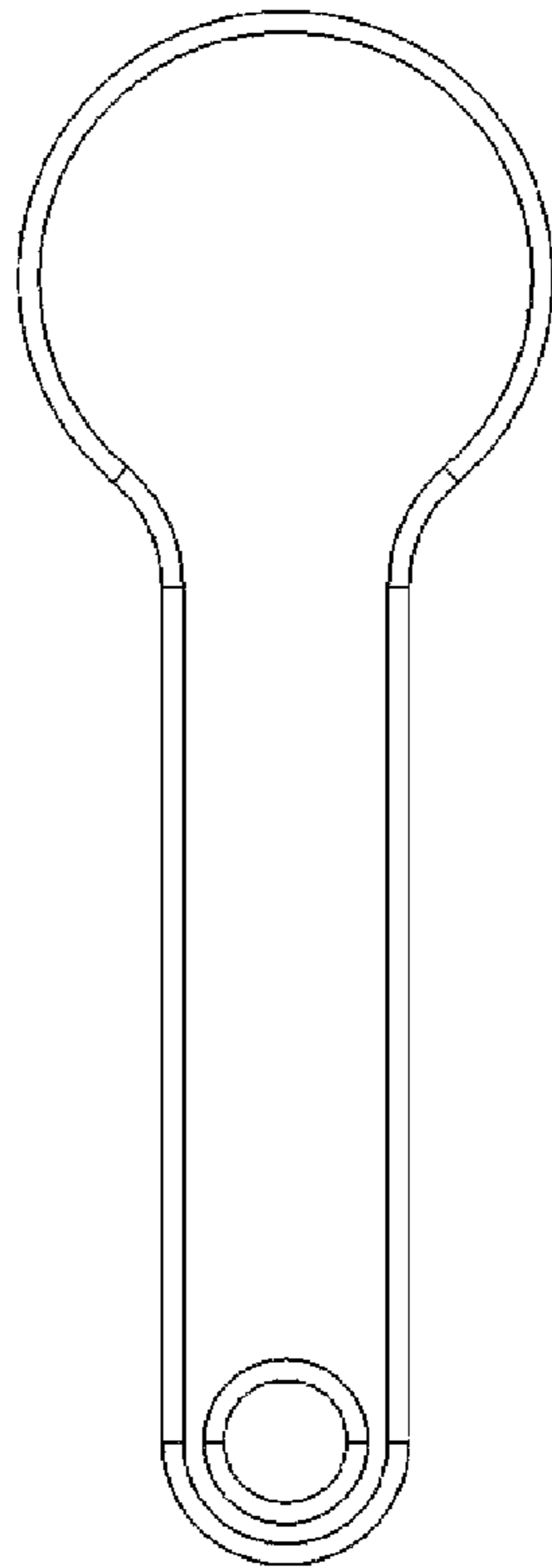


FIG. 6

