

US00D713698S

(12) **United States Design Patent**
Maier et al.

(10) **Patent No.:** **US D713,698 S**
(45) **Date of Patent:** **** Sep. 23, 2014**

(54) **HAND TOOL**

(71) Applicant: **Sartorius Weighing Technology GmbH**, Goettingen (DE)

(72) Inventors: **Sebastian Maier**, Langenzenn (DE);
Alexander Mueller, Altdorf (DE);
Andreas Poser, Nuremberg (DE); **Dirk Lamprecht**, Erlangen (DE); **Thomas Kunz**, Fuerth (DE)

(73) Assignee: **Sartorius Weighing Technology GmbH** (DE)

(**) Term: **14 Years**

(21) Appl. No.: **29/456,915**

(22) Filed: **Jun. 5, 2013**

(51) **LOC (10) Cl.** **08-05**

(52) **U.S. Cl.**
USPC **D8/27**

(58) **Field of Classification Search**
USPC D8/17, 18, 19, 21, 28, 105; 81/119,
81/120, 121.1, 124.3, 124.4, 125.1, 176.1,
81/176.2, 186
See application file for complete search history.

(56) **References Cited**

U.S. PATENT DOCUMENTS

1,327,379 A * 1/1920 Ellinger 81/119

D282,046 S *	1/1986	Dumond et al.	D8/21
D358,534 S *	5/1995	Link	D8/17
D393,578 S *	4/1998	Keddie	D8/17
D399,715 S *	10/1998	Budd, Sr.	D8/17
D411,945 S *	7/1999	Chen	D8/28
D422,466 S *	4/2000	Kovach	D8/17
6,401,573 B2 *	6/2002	McClure	81/58
7,966,913 B2 *	6/2011	Vollenweider	81/120
8,136,427 B2 *	3/2012	James	81/119
D675,076 S *	1/2013	Oachs et al.	D8/17
8,365,420 B2 *	2/2013	Pellenc	30/386

* cited by examiner

Primary Examiner — Randall Gholson

(74) *Attorney, Agent, or Firm* — Gerald E. Hespos; Michael J. Porco; Matthew T. Hespos

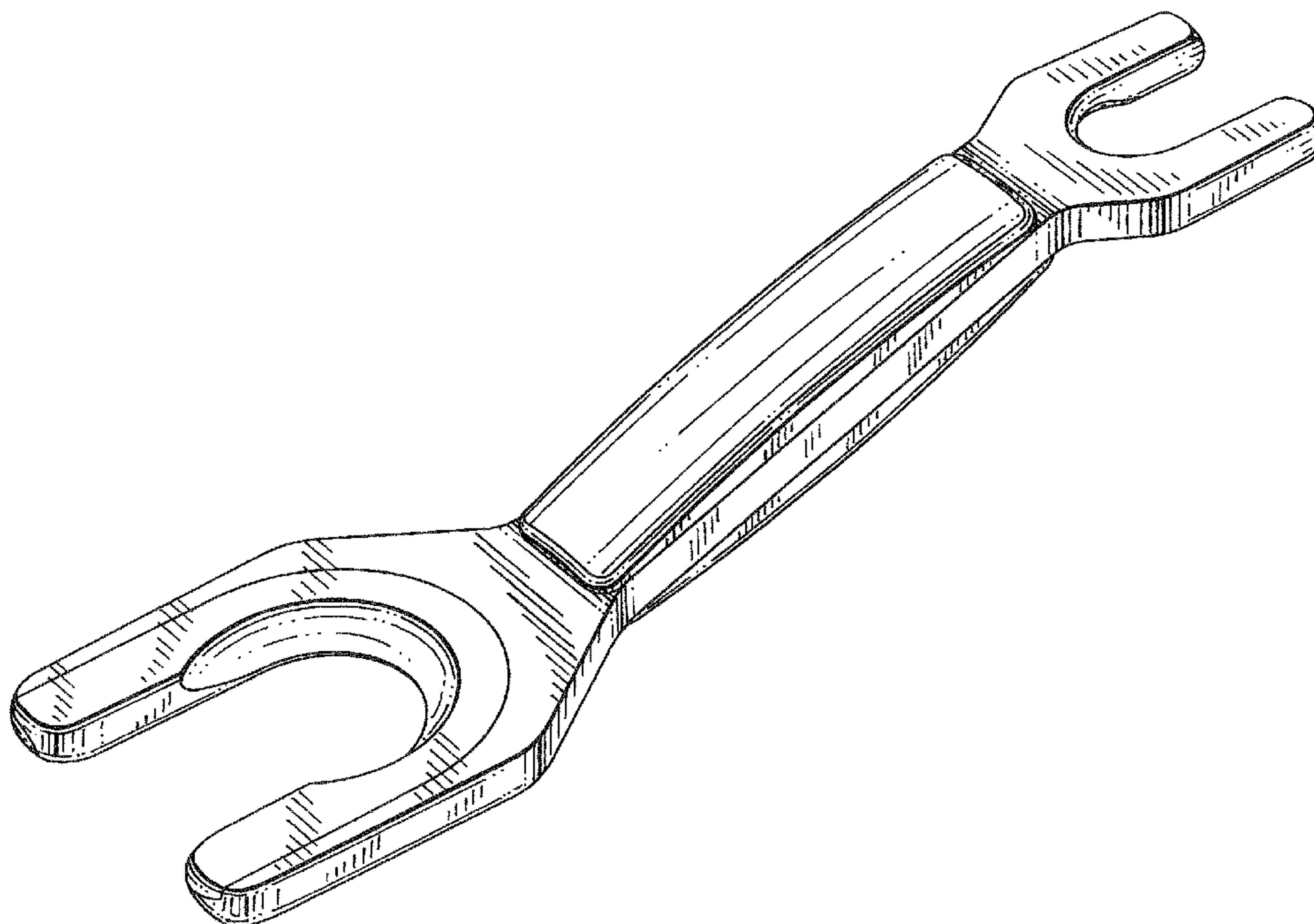
(57) **CLAIM**

The ornamental design for a hand tool, as shown and described.

DESCRIPTION

FIG. 1 is a perspective view of a hand tool in accordance with our design;
FIG. 2 is a top plan view thereof;
FIG. 3 is a right side view, with the left side view being a mirror image thereof;
FIG. 4 is a front elevational view thereof;
FIG. 5 is a rear elevational view thereof; and,
FIG. 6 is bottom plan view thereof.

1 Claim, 3 Drawing Sheets



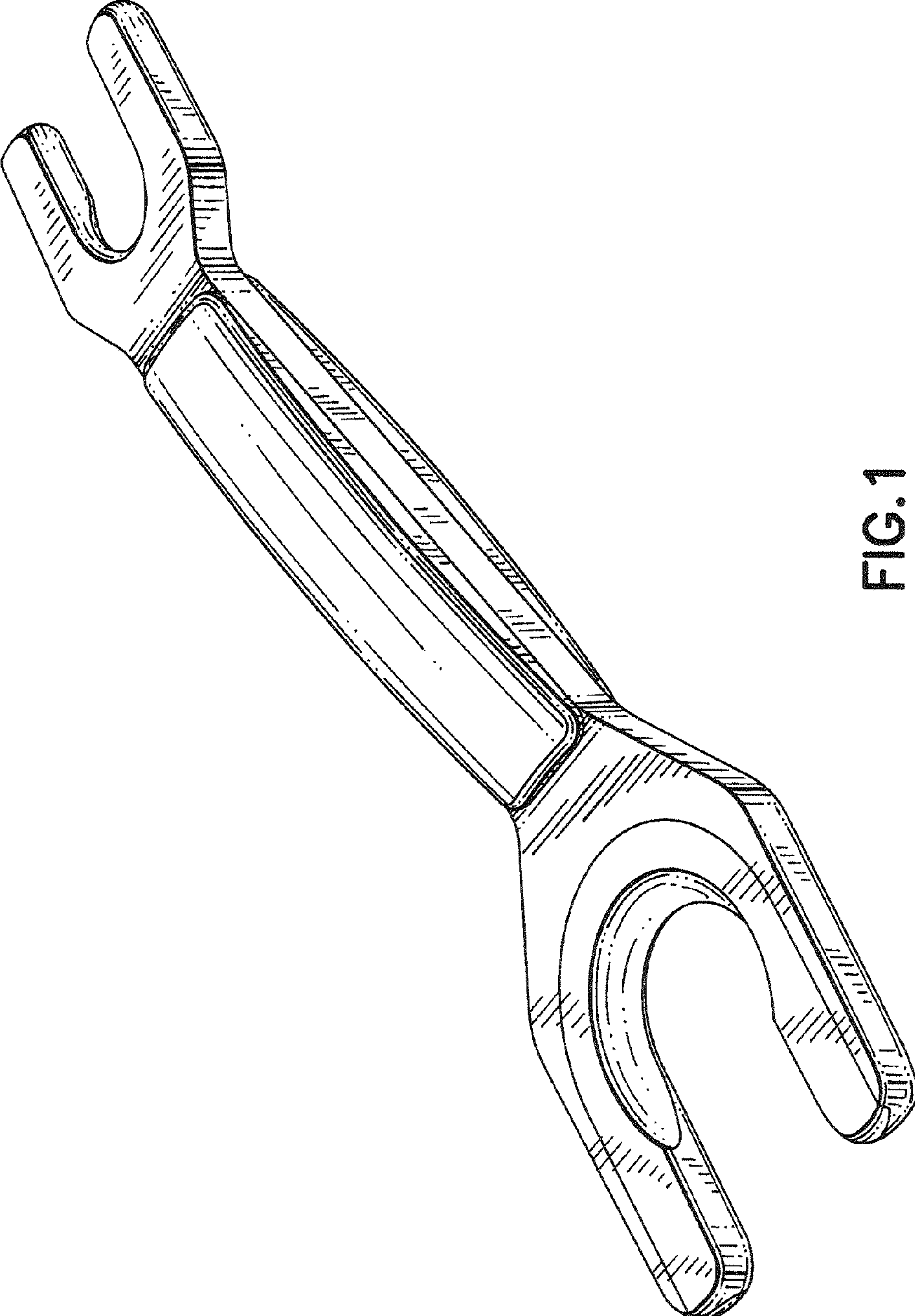


FIG. 1

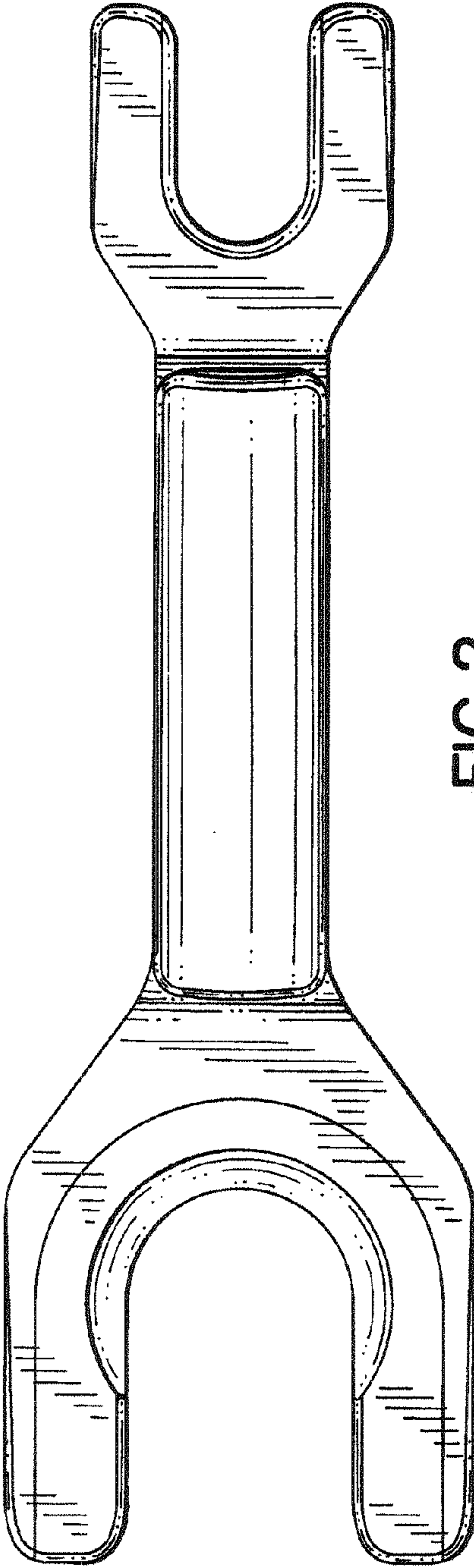


FIG. 2

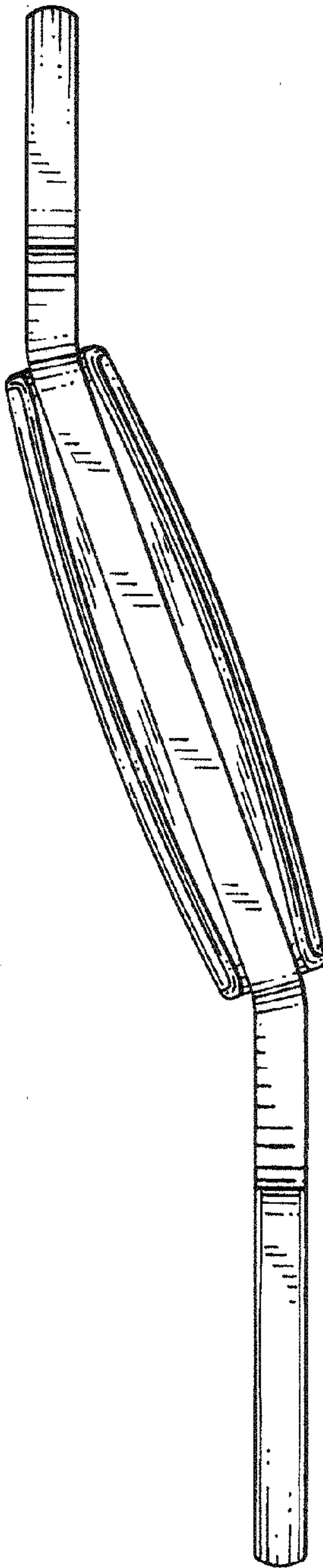


FIG. 3

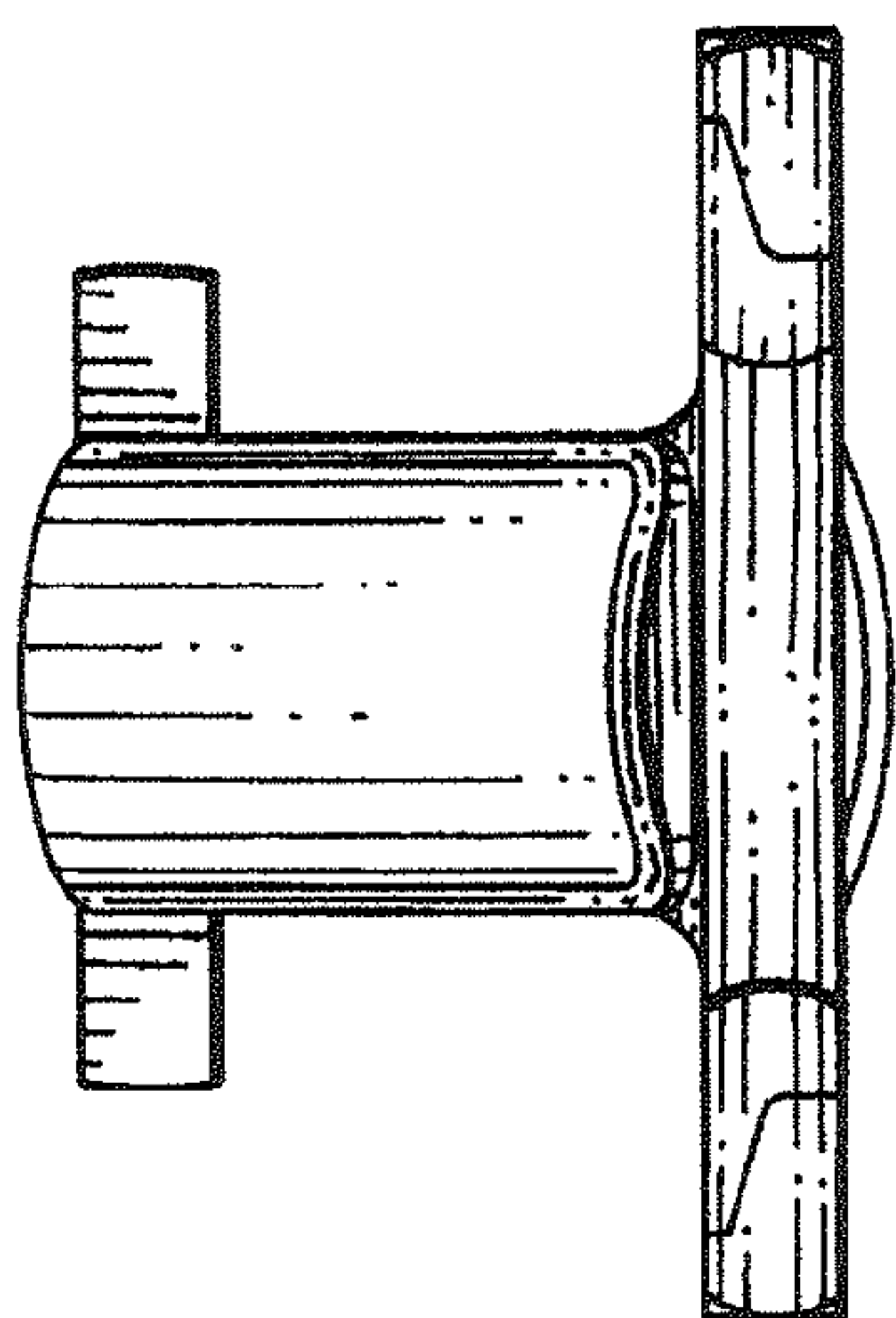


FIG. 4

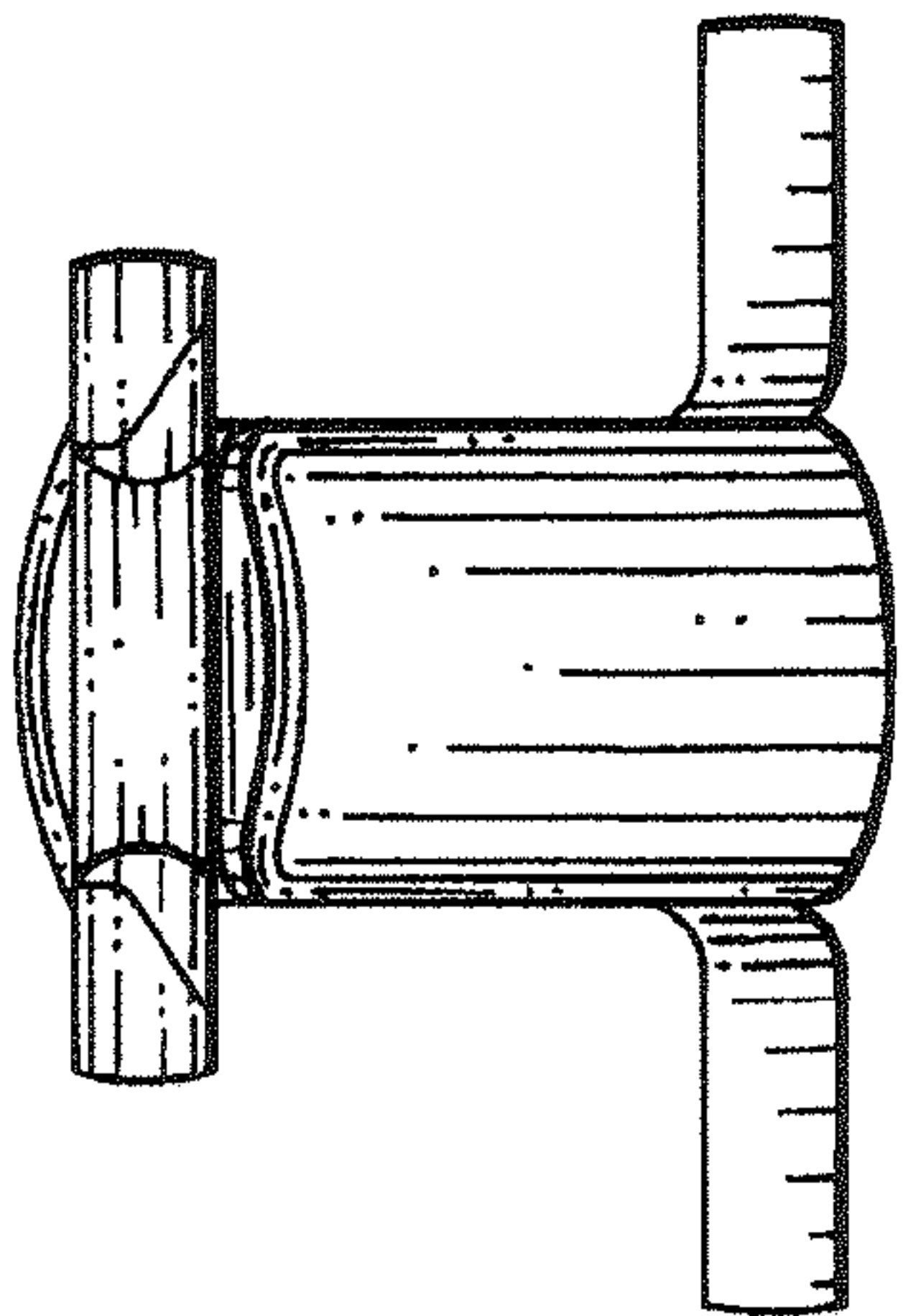


FIG. 5

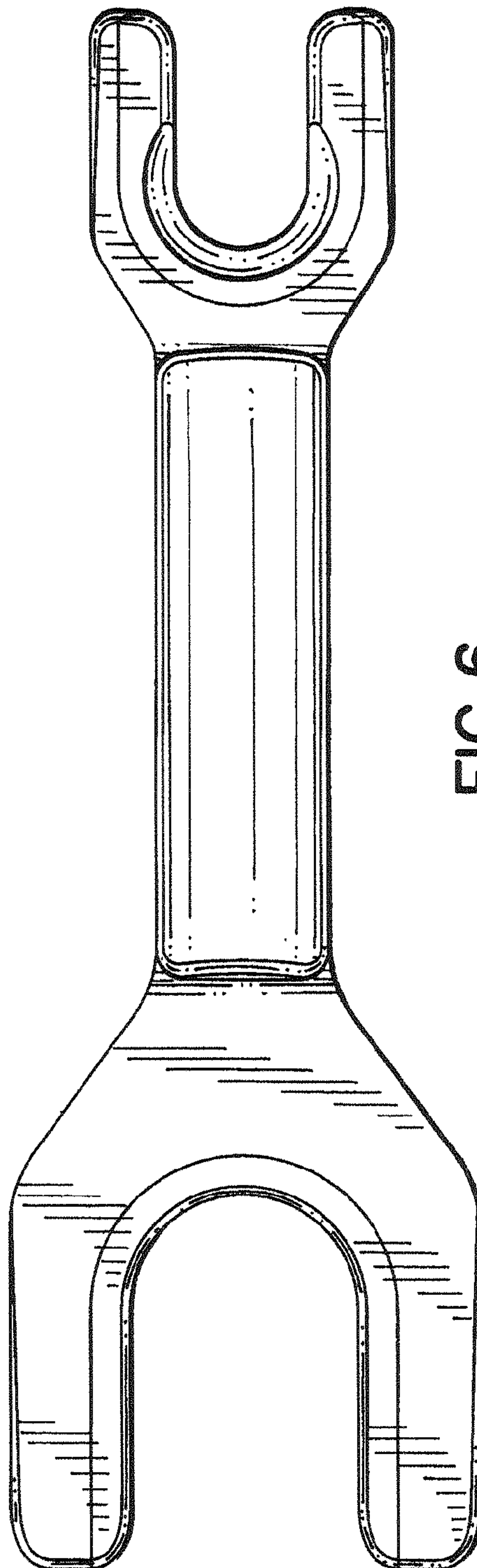


FIG. 6