



US00D713696S

(12) **United States Design Patent**
Adams et al.

(10) **Patent No.:** **US D713,696 S**

(45) **Date of Patent:** **** Sep. 23, 2014**

(54) **GRAFTER TOOL**

(75) Inventors: **Ian William Adams**, Hastings (NZ);
Nicholas Gledhill, Napier (NZ);
Andrew Kersley, Napier (NZ)

(73) Assignee: **Ian William Adams**, Hastings (NZ)

(**) Term: **14 Years**

(21) Appl. No.: **29/403,503**

(22) Filed: **Oct. 6, 2011**

(30) **Foreign Application Priority Data**

Apr. 6, 2011 (NZ) 414776

(51) **LOC (10) Cl.** **08-01**

(52) **U.S. Cl.**
USPC **D8/1**

(58) **Field of Classification Search**
USPC D8/1, 4, 5, 6, 7, 98, 51; D18/34.7;
83/607, 585

See application file for complete search history.

(56) **References Cited**

U.S. PATENT DOCUMENTS

D443,294 S * 6/2001 Munoz D18/34.7
D468,343 S * 1/2003 Lira-Nunez D18/34.7
D621,234 S * 8/2010 Goetz et al. D8/5
D628,033 S * 11/2010 Tafoya et al. D8/7

* cited by examiner

Primary Examiner — Sheryl Lane

(74) *Attorney, Agent, or Firm* — Blakely Sokoloff Taylor & Zafman LLP

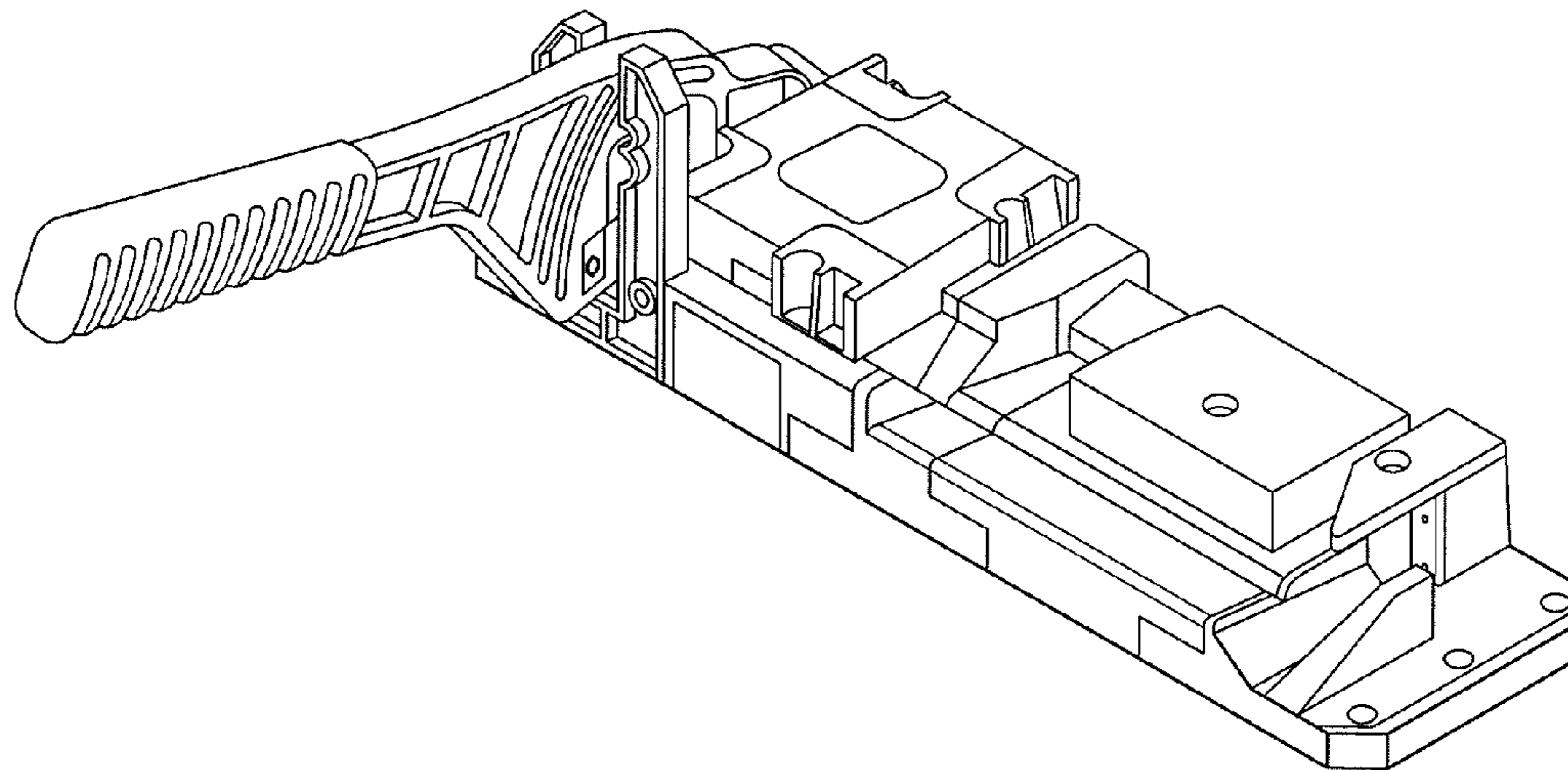
(57) **CLAIM**

The ornamental design for a grafter tool, as shown.

DESCRIPTION

FIG. 1—is a top view of the grafter tool.
FIG. 2—is a front view of the grafter tool.
FIG. 3—is a bottom view of the grafter tool.
FIG. 4—is a left hand side view of the grafter tool.
FIG. 5—is a perspective view of the grafter tool.
FIG. 6—is a right hand side view of the grafter tool; and,
FIG. 7—is a rear view of the grafter tool.
The broken lines represent portions of the article and form no part of the claimed design.

1 Claim, 3 Drawing Sheets



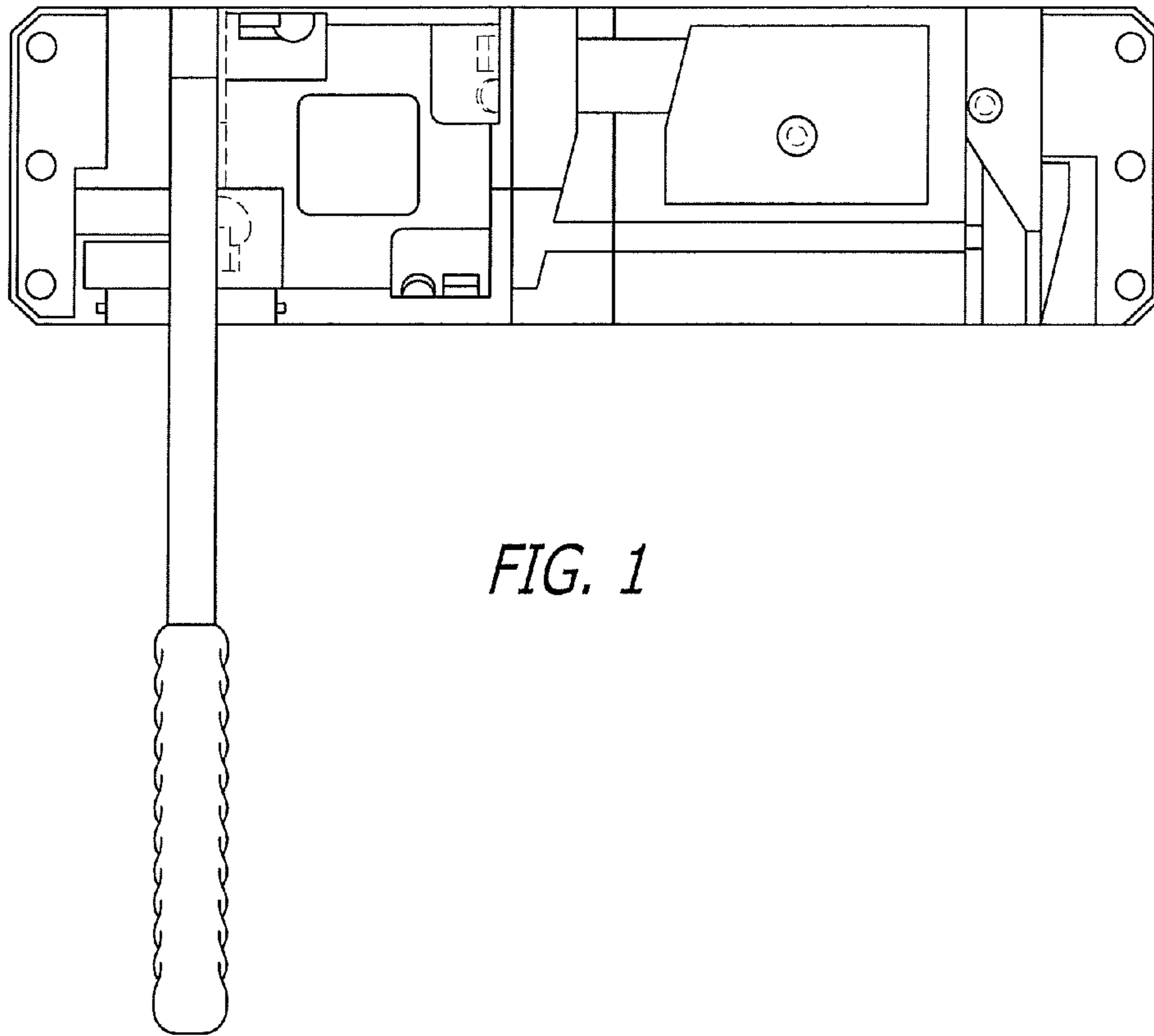


FIG. 1

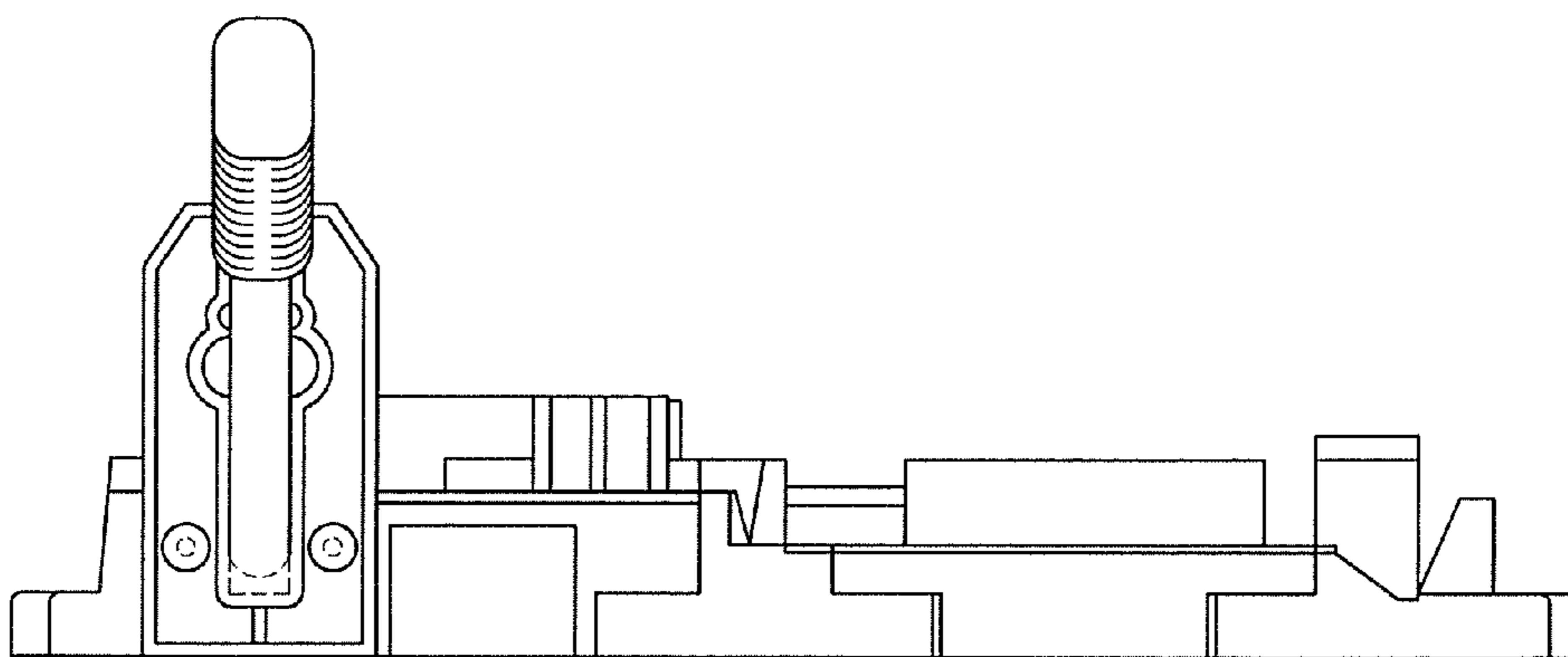


FIG. 2

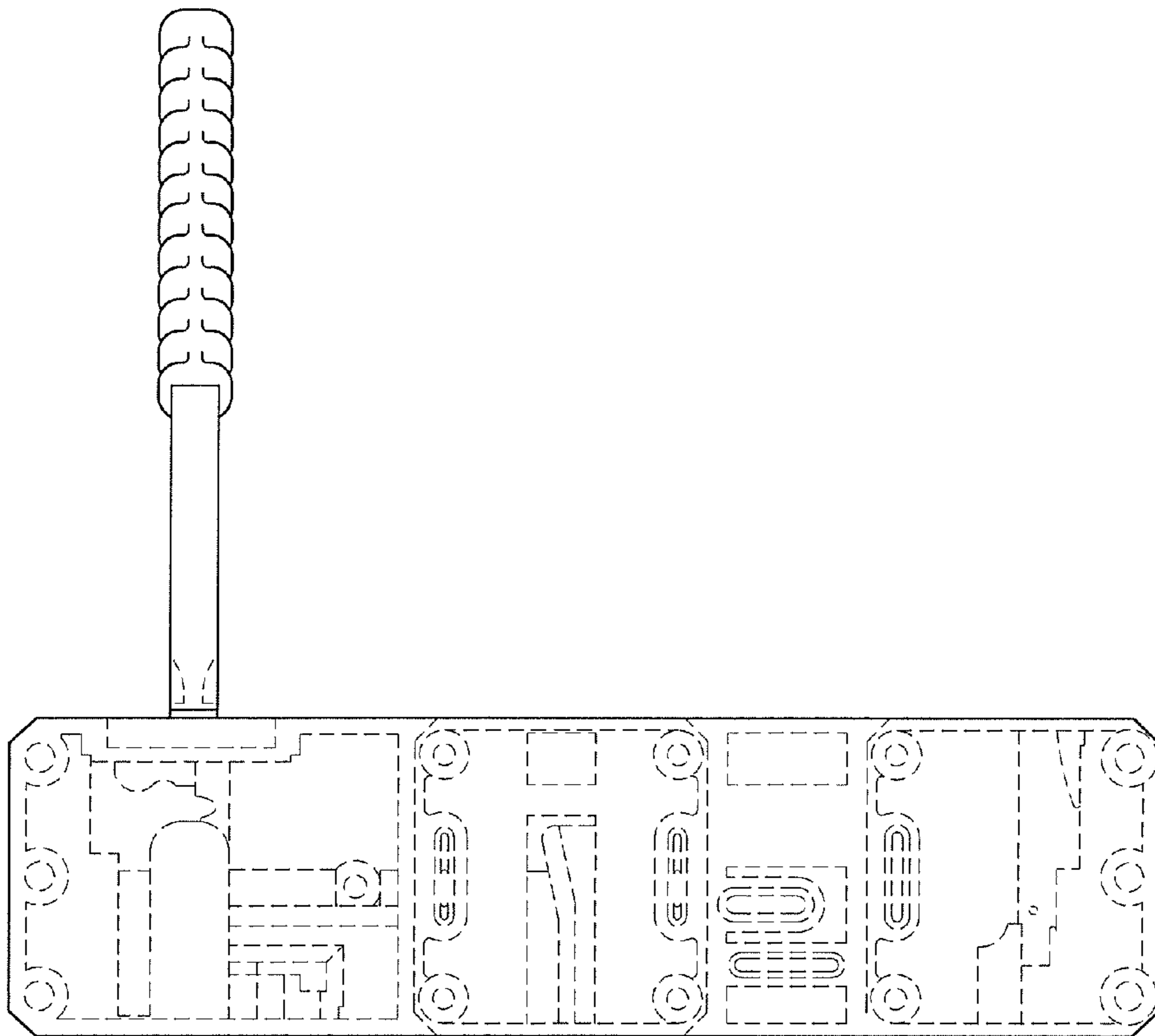


FIG. 3

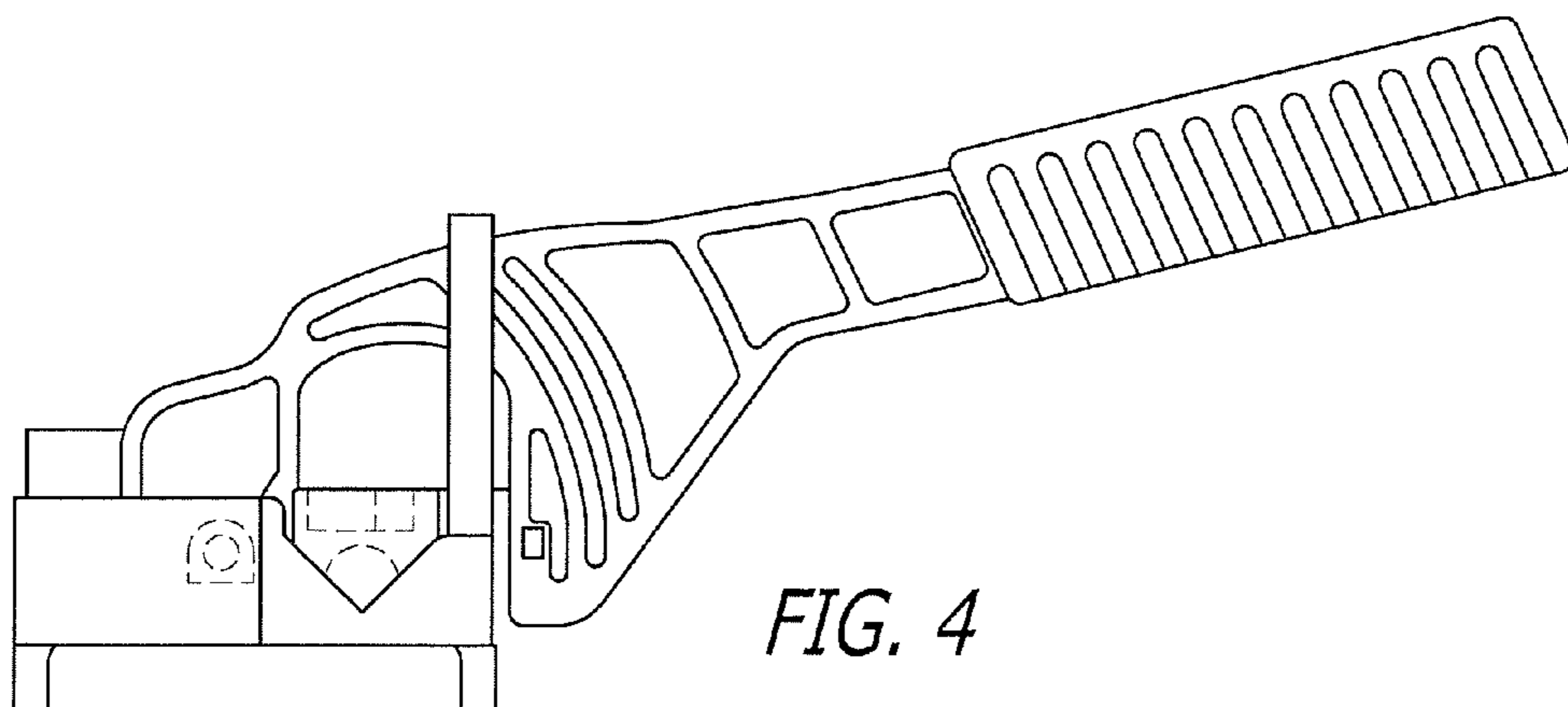


FIG. 4

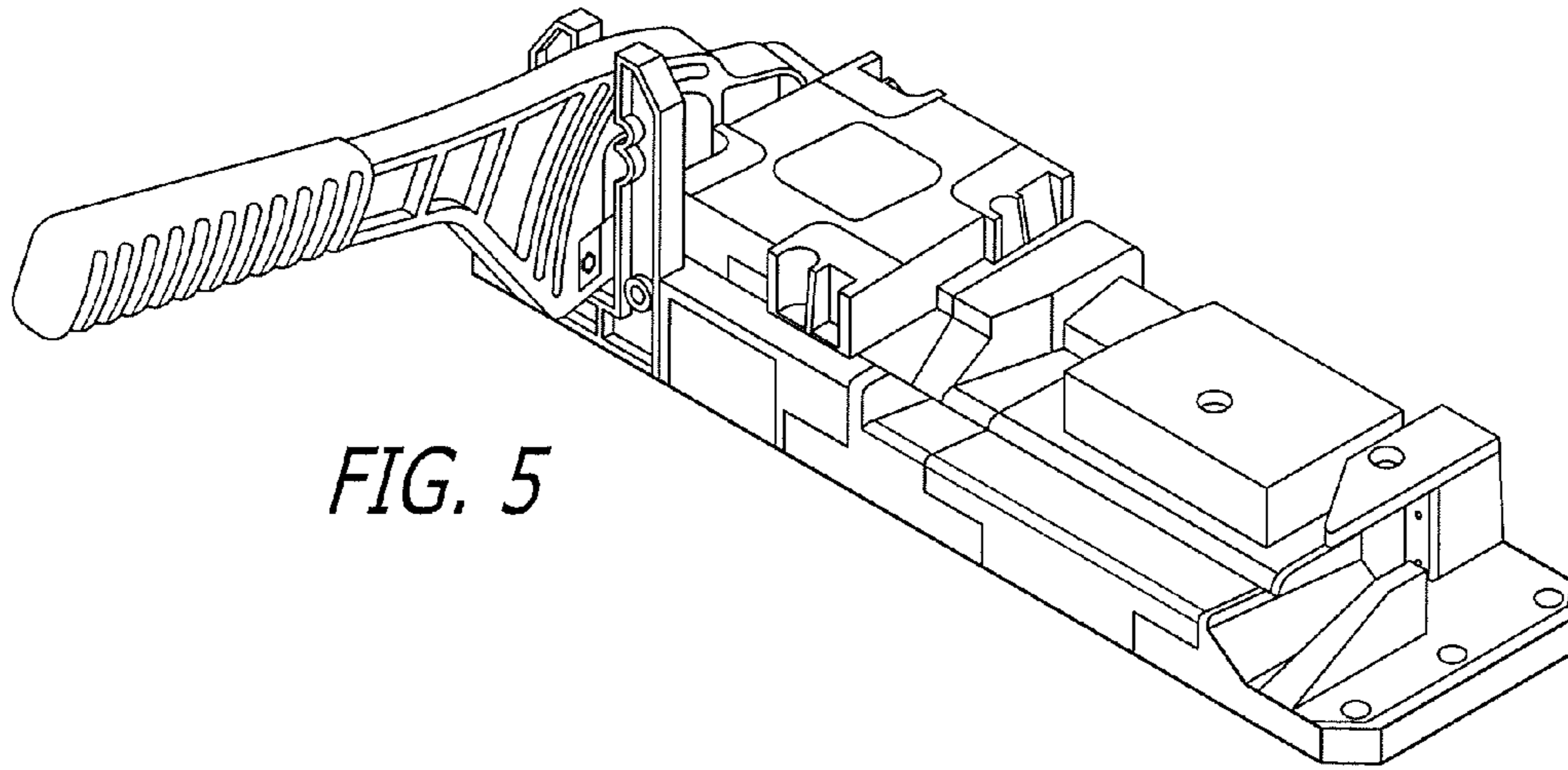


FIG. 5

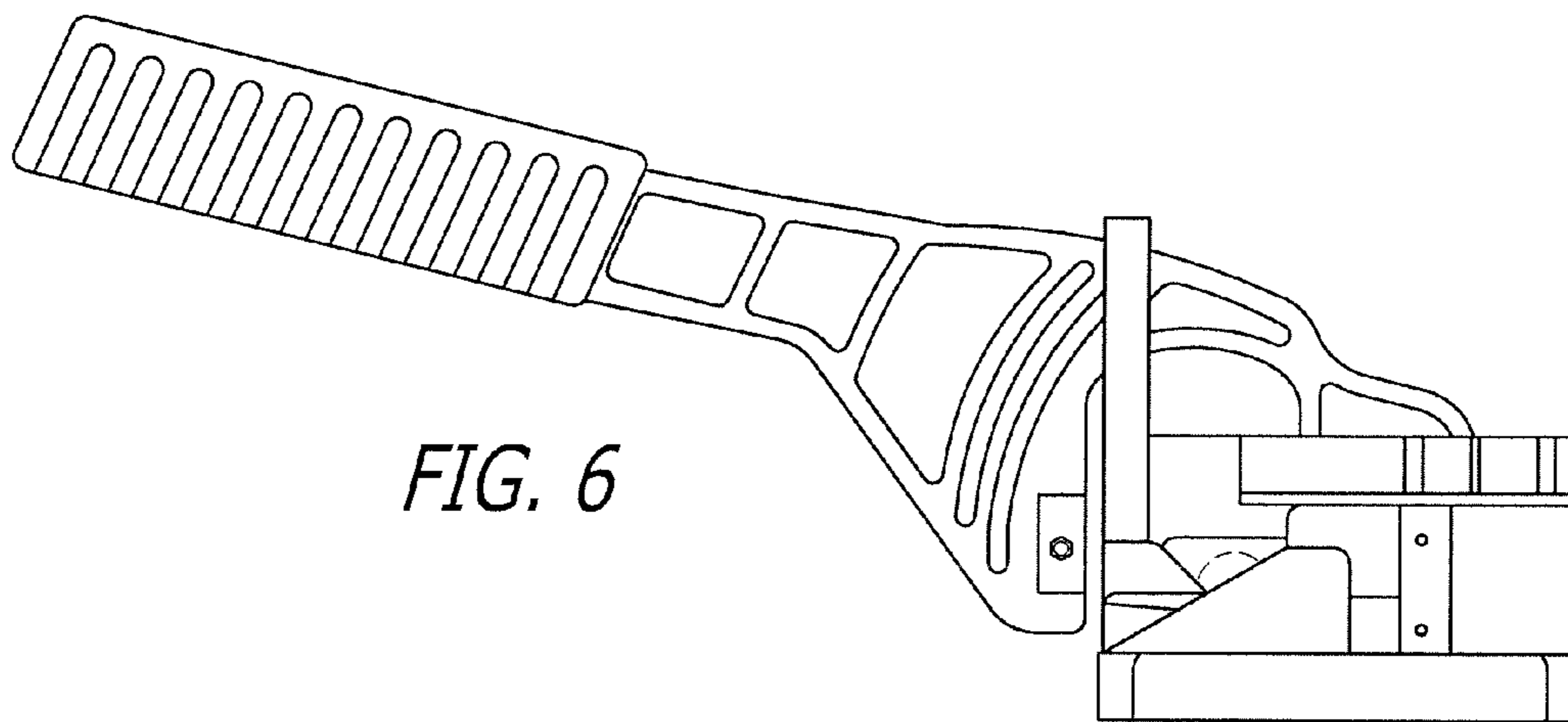


FIG. 6

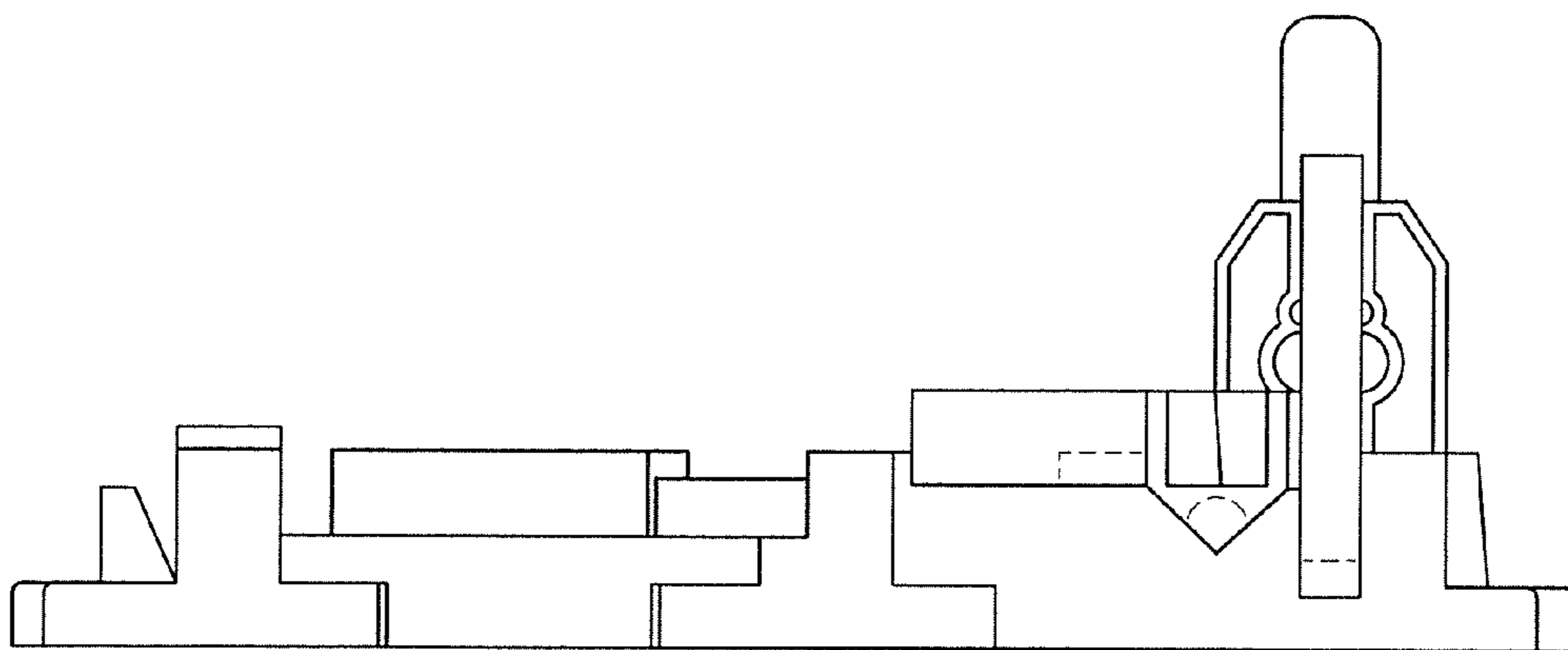


FIG. 7