



US00D713692S

(12) **United States Design Patent**  
**Tsai**

(10) **Patent No.:** **US D713,692 S**

(45) **Date of Patent:** **\*\* Sep. 23, 2014**

(54) **DRAWER FOR HOLDING CUPS**

(56) **References Cited**

(71) Applicant: **Dongguan Master United Plastic & Hardware Products Co., Ltd.,**  
Dongguan (CN)

U.S. PATENT DOCUMENTS

(72) Inventor: **Tsung-Yu Tsai,** Changhua (TW)

D315,925 S *	4/1991	Rich .....	D19/92
D628,444 S *	12/2010	Snider .....	D7/600.1
D628,445 S *	12/2010	Snider .....	D7/600.1
D644,491 S *	9/2011	Snider .....	D7/600.1
D659,481 S *	5/2012	Tiemann .....	D7/600.1
D660,088 S *	5/2012	Tiemann .....	D7/600.1
D661,951 S *	6/2012	Tiemann .....	D7/600.1
D674,213 S *	1/2013	Hertaus .....	D6/663

(73) Assignee: **Pretty Star Store LLC,** Rowland Heights, CA (US)

(\*\*) Term: **14 Years**

(Continued)

(21) Appl. No.: **29/435,903**

*Primary Examiner* — Ian Simmons

(22) Filed: **Oct. 30, 2012**

*Assistant Examiner* — Shannon Morgan

(51) **LOC (10) Cl.** ..... **07-06**

(74) *Attorney, Agent, or Firm* — Muncy, Geissler, Olds & Lowe, P.C.

(52) **U.S. Cl.**

USPC ..... **D7/600.1**

(58) **Field of Classification Search**

(57) **CLAIM**

USPC ..... D7/600, 600.1–600.4, 392, 397, 589, D7/590, 596, 597, 601, 602, 609, 610, 612, D7/614, 615, 620–623, 628–632, 637–641, D7/701–708, 708.1, 709, 710; D3/304–315, 317, 319, 302; D6/559, D6/560, 566, 567, 570, 571, 573, 574, 512, D6/705, 705.1, 705.2, 705.3, 705.4, 705.5, D6/705.6, 705.7, 706, 707, 707.1, 707.19, D6/707.15, 627, 628, 629, 631, 654, D6/654.11, 654.12, 654.13, 654.14, D6/654.15, 654.18, 654.19, 654.2, 654.22, D6/654.21, 655, 655.11, 655.12, 655.13, D6/655.14, 655.15, 655.17, 655.18, D6/655.19, 655.2, 655.22, 655.23, 691.9, D6/692.4, 692.5, 693.1, 693.2; D19/75, D19/77, 78, 83, 86, 92; 206/511, 557, 560, 206/510, 513, 503; 211/1, 10, 13.1, 69.1, 211/69.5, 70, 70.1, 70.6, 74, 77, 78, 85.1, 211/85.2, 85.4, 85.5, 85.31, 126.9, 126.11, 211/126.15, 129.1, 131.1, 133.2, 133.4, 211/134, 133.5, 133.6, 181.1, 182; 312/323, 330.1, 334.1, 334.27, 408, 312/410, 334.44; 220/485

The ornamental design for a drawer for holding cups, as shown and described.

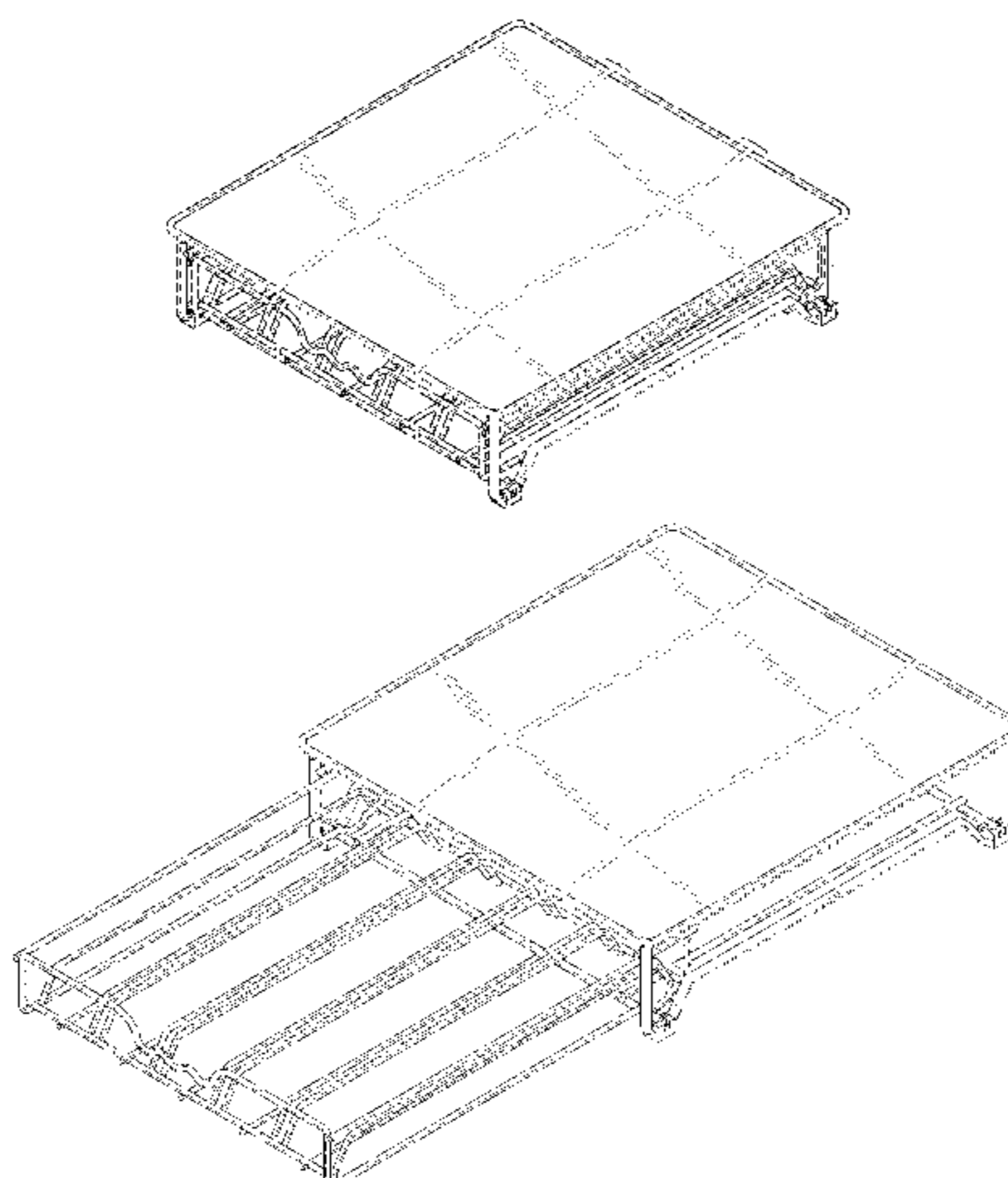
**DESCRIPTION**

FIG. 1 is a front, right perspective view of a drawer for holding cups showing my new design; FIG. 2 is a front elevational view thereof; FIG. 3 is a rear elevational view thereof; FIG. 4 is a left side elevational view thereof; FIG. 5 is a right side elevational view thereof; FIG. 6 is a bottom plan view thereof; FIG. 7 is a top plan view thereof; and, FIG. 8 is a front, right perspective view shown in an open position thereof.

The drawer for holding cups is shown broken in two places along the length to indicate indeterminate length, with the understanding that the “indeterminate” length portion of the drawer for holding cups not shown forms no part of the claimed design. Patentability is based only on those portions of the article that are shown in solid lines.

See application file for complete search history.

**1 Claim, 6 Drawing Sheets**



(56)

**References Cited**

U.S. PATENT DOCUMENTS

D676,265 S \* 2/2013 Tawil ..... D6/705  
D676,715 S \* 2/2013 Tsai ..... D7/600.1  
D679,954 S \* 4/2013 Snider ..... D7/600.1  
D680,380 S \* 4/2013 Tiemann ..... D7/600.1

D680,381 S \* 4/2013 Tsai ..... D7/600.1  
D681,398 S \* 5/2013 Tsai ..... D7/600.1  
D682,039 S \* 5/2013 Tiemann ..... D7/600.4  
D684,404 S \* 6/2013 Hertaus ..... D6/705  
D686,464 S \* 7/2013 Tiemann ..... D7/600.1

\* cited by examiner

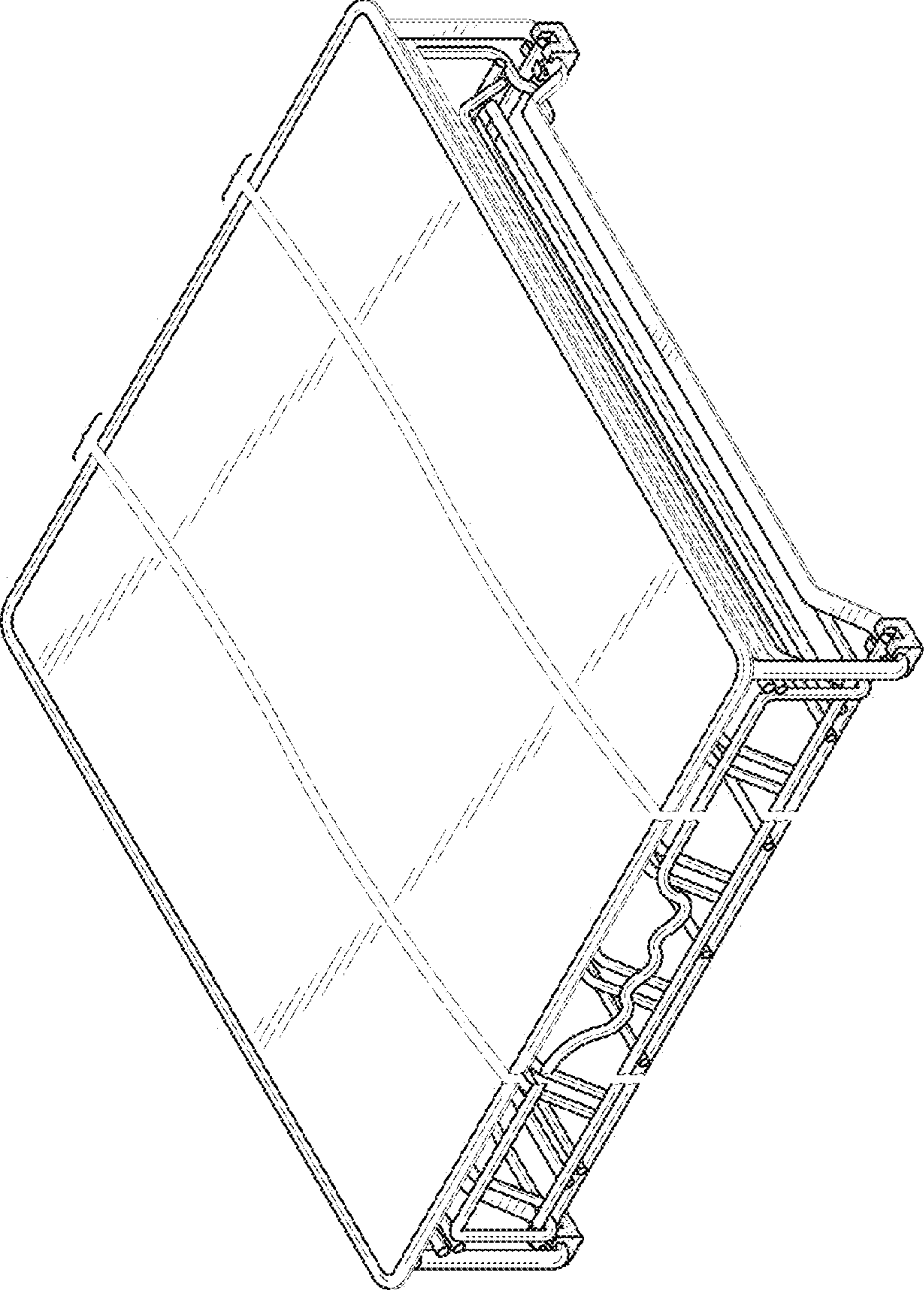


FIG.1

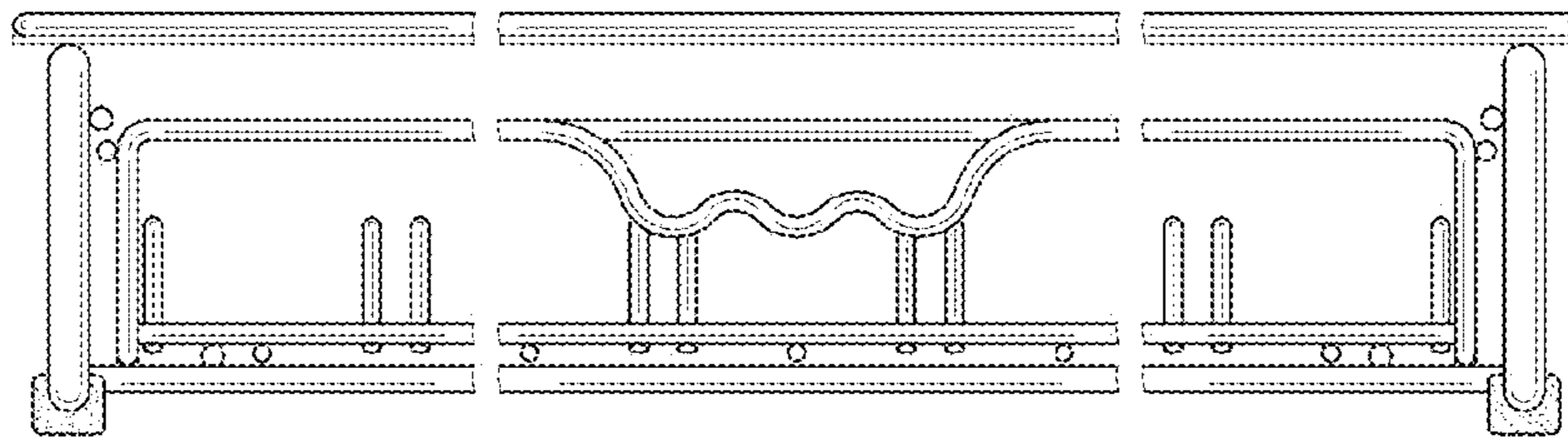


FIG. 2

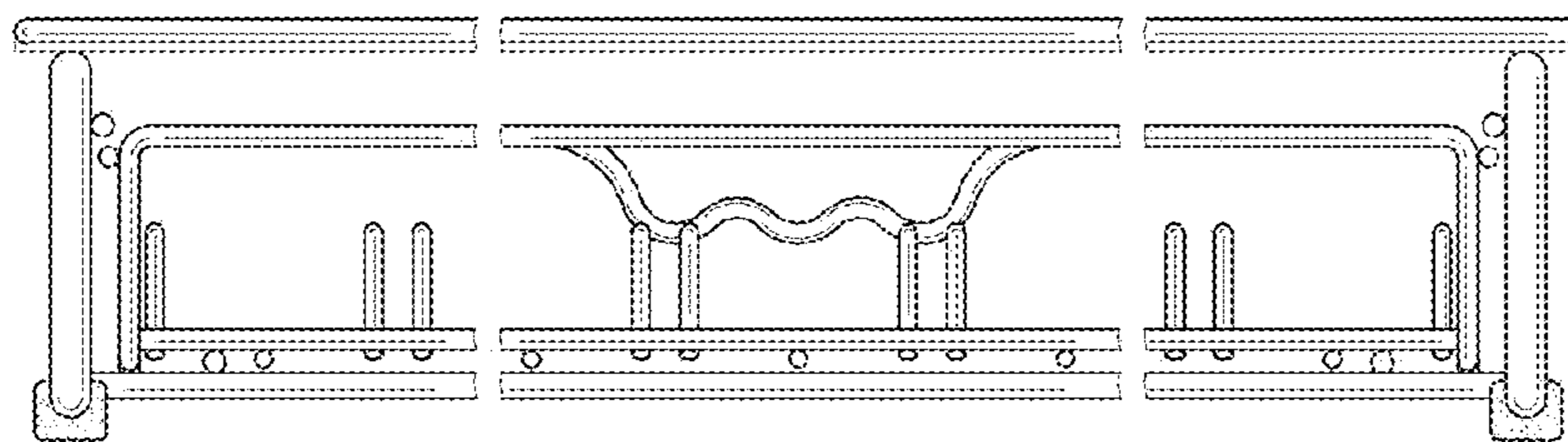


FIG. 3

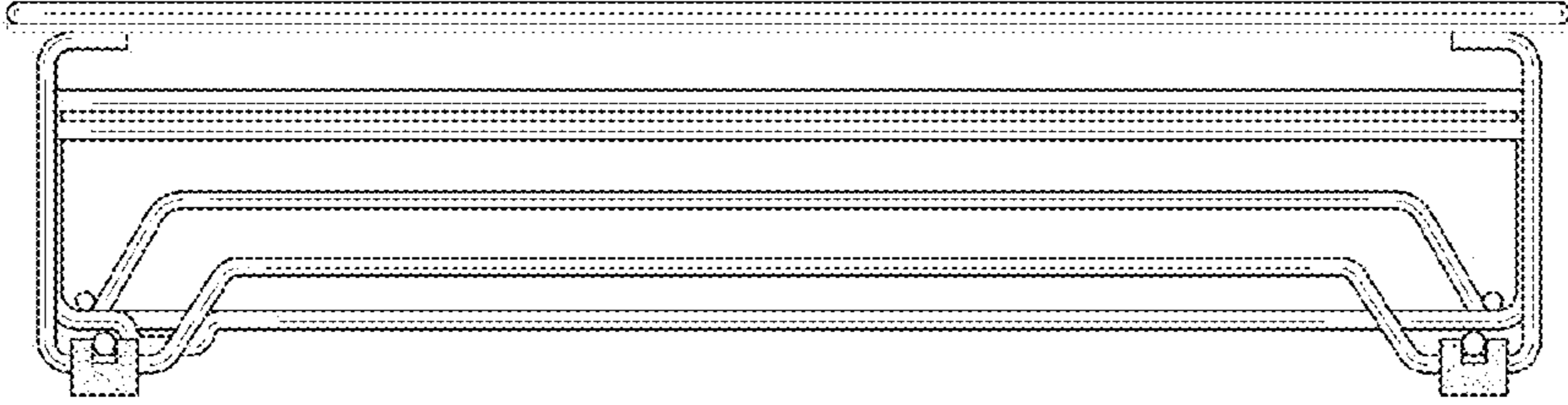


FIG. 4

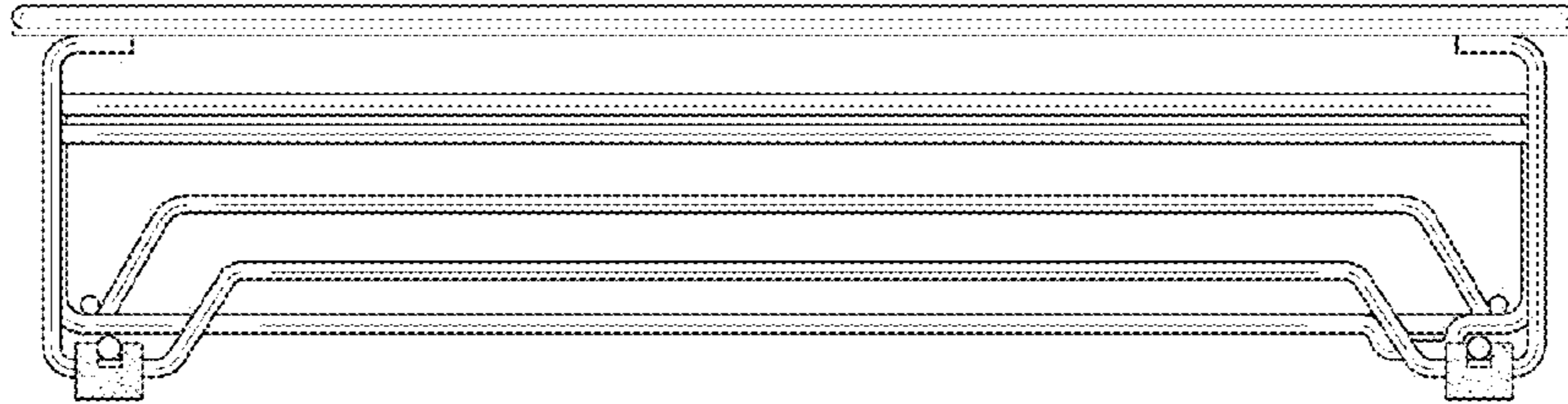


FIG. 5

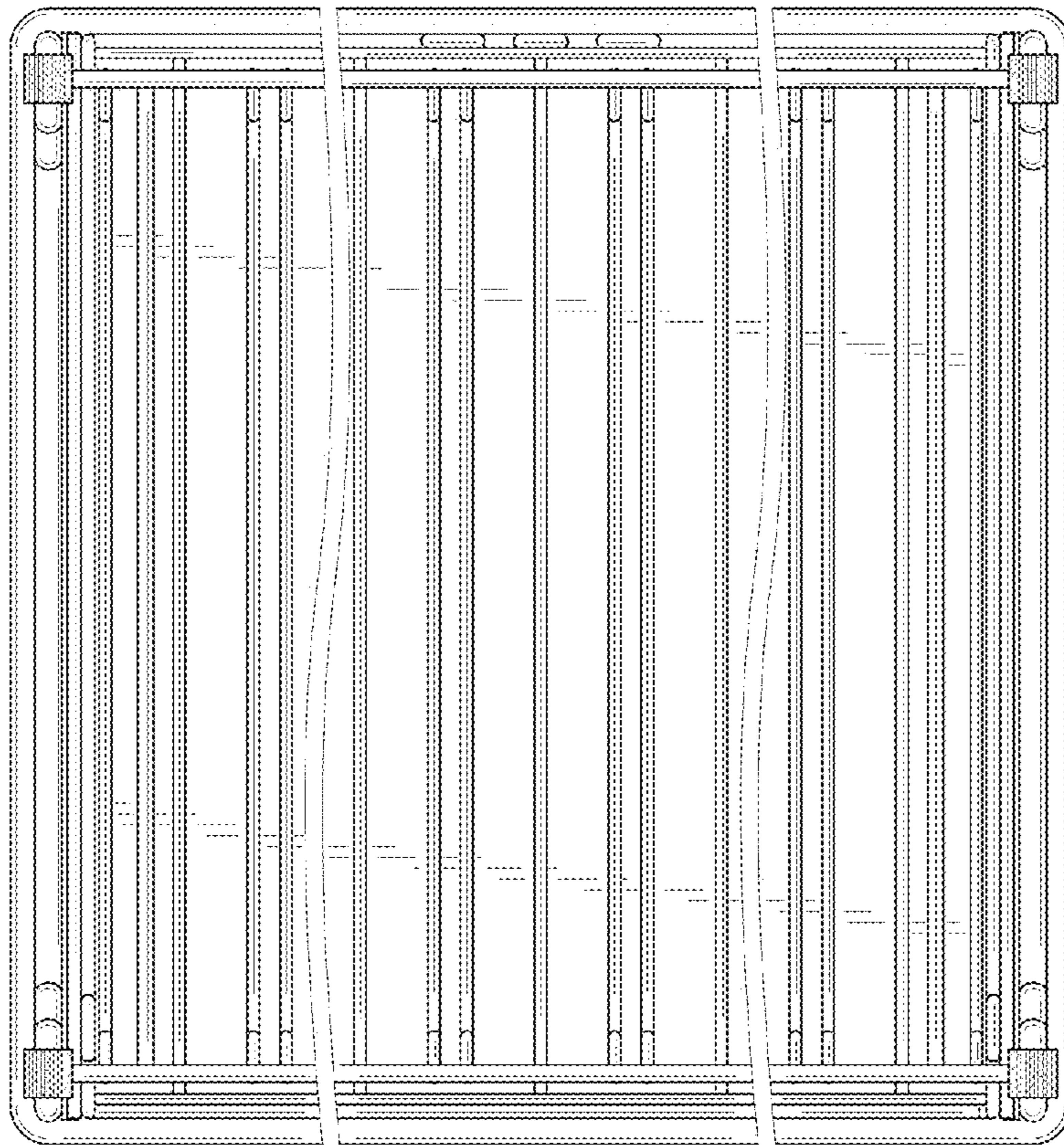


FIG.6

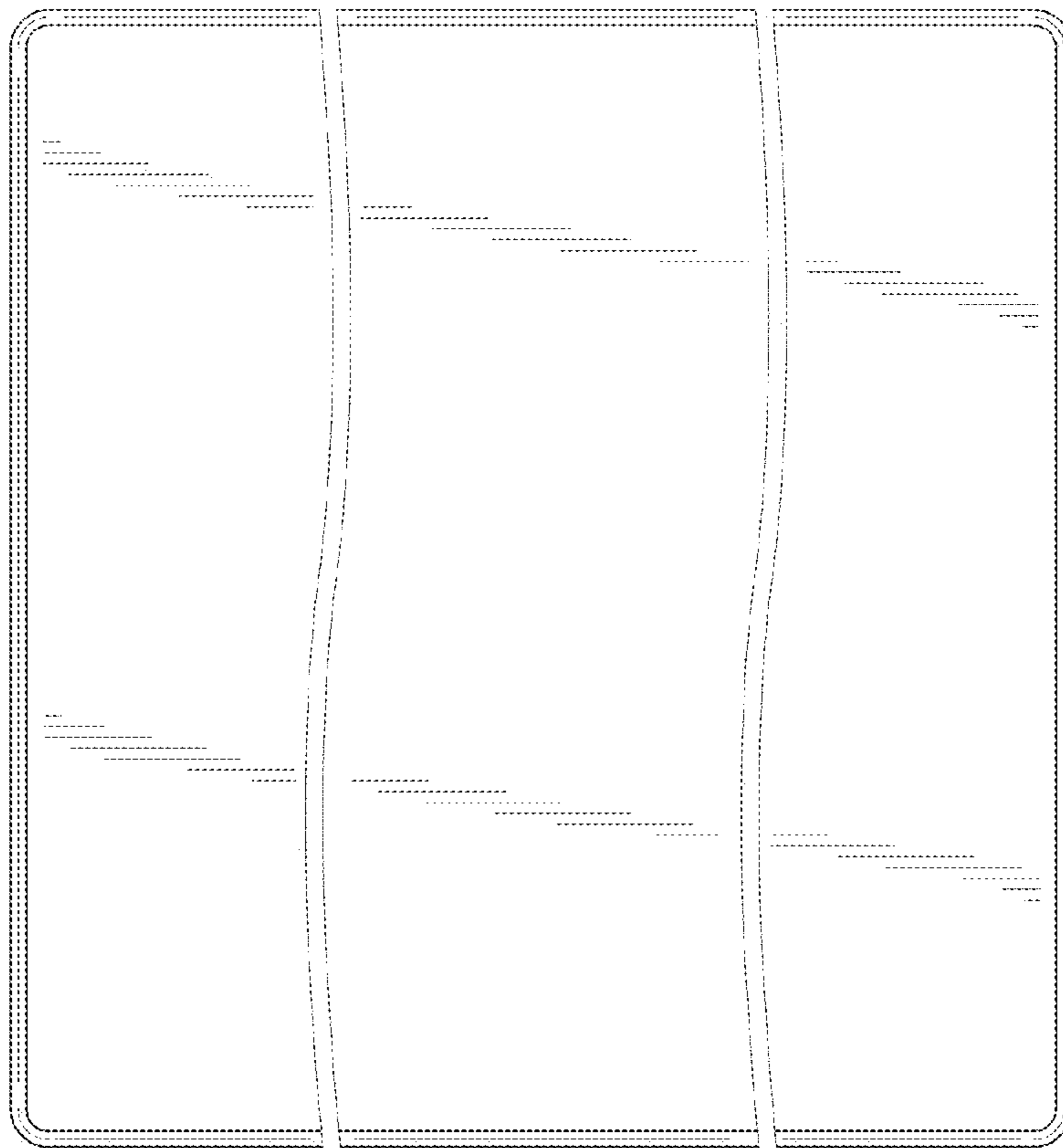


FIG. 7

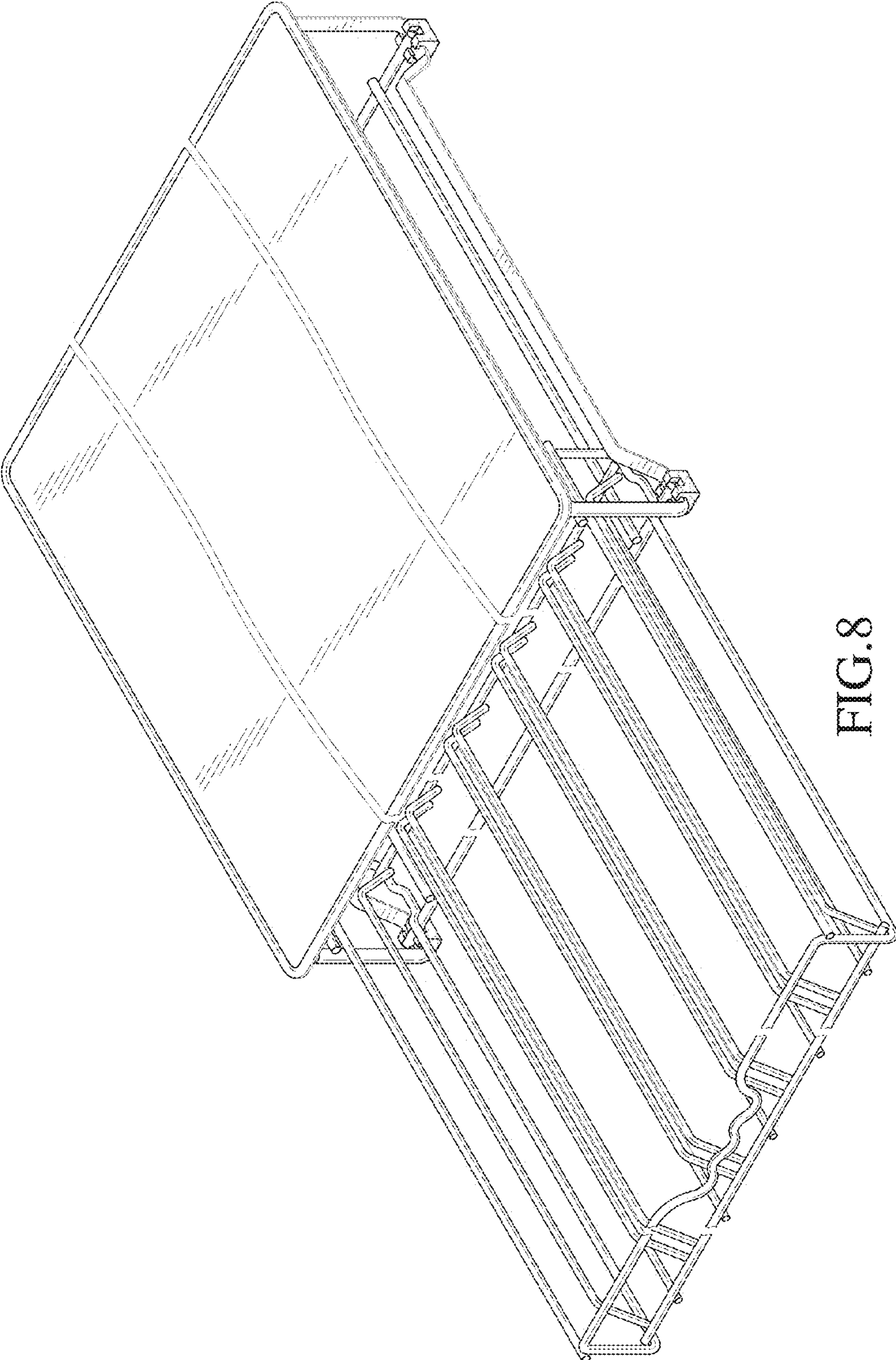


FIG.8