

US00D713688S

(12) **United States Design Patent**
Thomas

(10) **Patent No.:** **US D713,688 S**
(45) **Date of Patent:** **** Sep. 23, 2014**

(54) **BEVERAGE CONTAINER**

(71) Applicant: **Cameron Thomas**, North Hollywood,
CA (US)

(72) Inventor: **Cameron Thomas**, North Hollywood,
CA (US)

(**) Term: **14 Years**

(21) Appl. No.: **29/457,466**

(22) Filed: **Jun. 10, 2013**

(51) **LOC (10) Cl.** **07-01**

(52) **U.S. Cl.**
USPC **D7/515; D7/901; D9/668**

(58) **Field of Classification Search**
CPC **A47G 19/2227**
USPC **D7/516, 517, 519, 520, 510, 511, 515,**
D7/514, 901; D9/621, 503, 668; 222/78,
222/662, 630; 206/217; 215/13.1
See application file for complete search history.

(56) **References Cited**

U.S. PATENT DOCUMENTS

D212,818 S *	11/1968	Flaherty	D7/511
D230,102 S *	1/1974	Reneau	D3/238
D249,438 S *	9/1978	Meier et al.	D7/511
4,164,284 A *	8/1979	Witt et al.	206/217
D292,463 S	10/1987	Petrasek		
D323,602 S *	2/1992	Katz	D7/316
D359,655 S *	6/1995	Hurst et al.	D7/515
D370,154 S *	5/1996	Gruneisen, III	D7/515
D371,934 S *	7/1996	Cwirko	D7/515
5,662,241 A *	9/1997	Sorensen	220/630
D398,188 S *	9/1998	Weeks et al.	D7/515
D420,256 S *	2/2000	Hersch	D7/515
D424,375 S *	5/2000	D'Arrigo	D7/510
D424,876 S *	5/2000	McPartland	D7/510

D425,757 S *	5/2000	Printz et al.	D7/510
D477,132 S *	7/2003	Bond et al.	D3/202
D478,480 S *	8/2003	Leon	D7/624.1
D511,212 S *	11/2005	Whalen	D24/197
D518,596 S *	4/2006	Angeletta	D28/7
D541,111 S *	4/2007	Morgan et al.	D7/625
D547,696 S *	7/2007	Wheeler	D11/149
D562,073 S *	2/2008	Yeh	D7/515
D574,664 S *	8/2008	Thompson	D7/515
D587,968 S *	3/2009	Campbell	D7/510
D589,765 S *	4/2009	Zuloff	D7/515
D604,086 S *	11/2009	Lipinski et al.	D7/301
D614,504 S *	4/2010	Coat	D9/668
D621,657 S *	8/2010	Quinn	D7/507
D623,905 S *	9/2010	Paslawski	D7/625
D627,233 S *	11/2010	Blakeman	D9/668
D666,048 S *	8/2012	Kasswran et al.	D7/301
D666,919 S *	9/2012	Gelin	D9/668
D673,428 S *	1/2013	Lessells	D7/625

* cited by examiner

Primary Examiner — Marianne Pandozzi

(74) *Attorney, Agent, or Firm* — Milord A. Keshishian

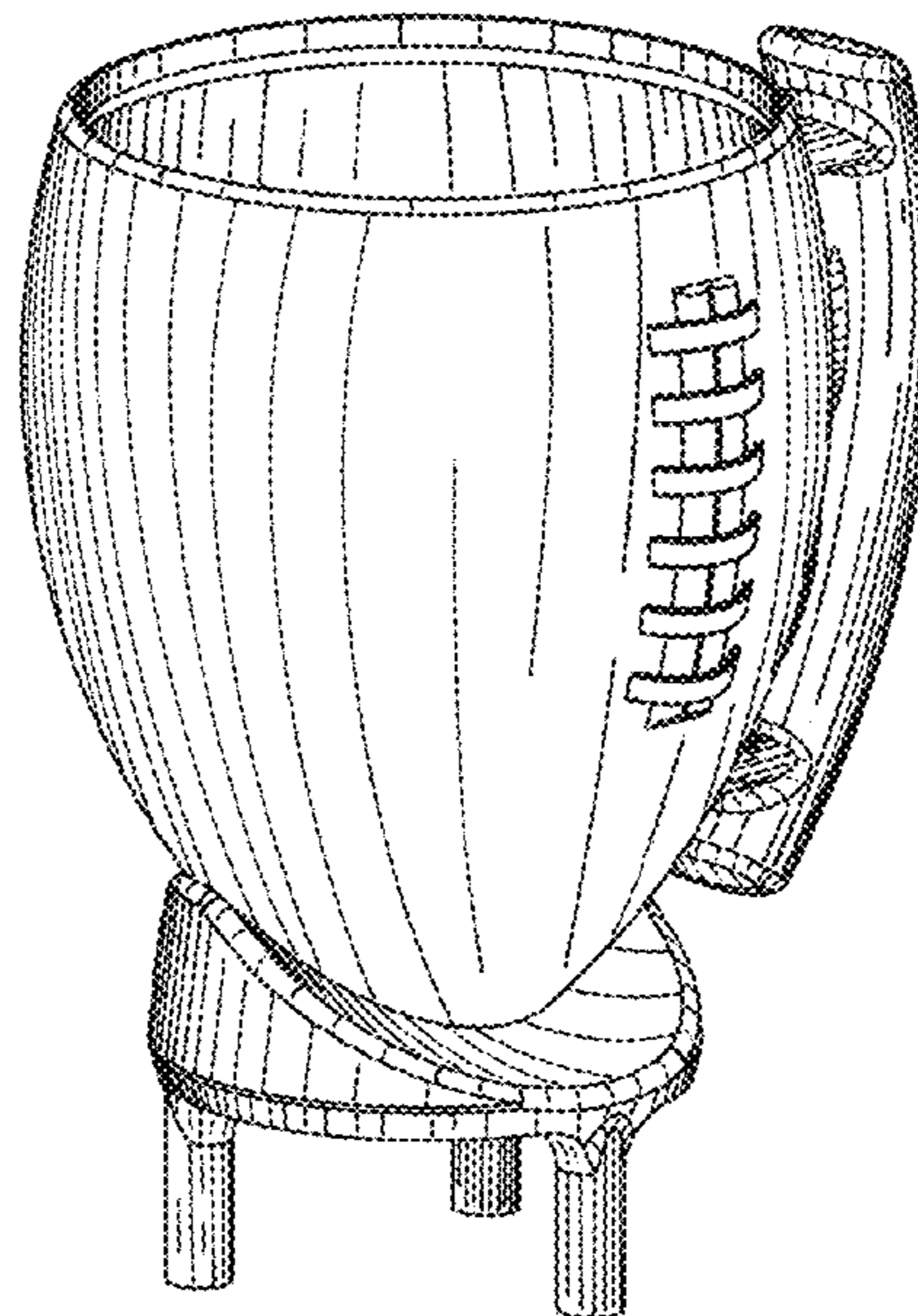
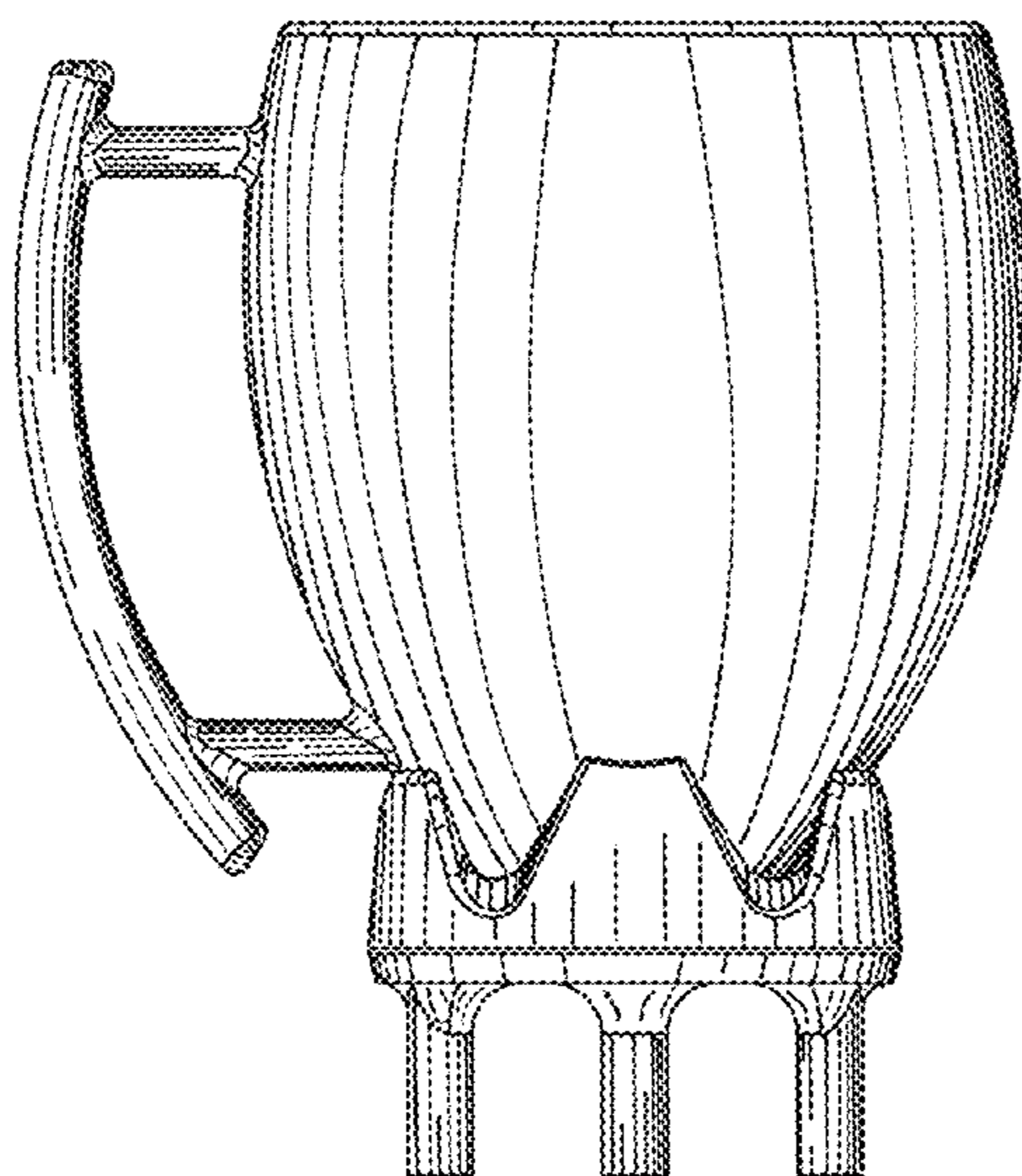
(57) **CLAIM**

The ornamental design for a beverage container, as shown and described.

DESCRIPTION

FIG. 1 is a front elevational view of the beverage container; FIG. 2 is a rear elevational view of thereof; FIG. 3 is a right side elevational view thereof; FIG. 4 is a perspective view showing the front, top, and left sides thereof; FIG. 5 is a perspective view showing the front, bottom, and right sides thereof; FIG. 6 is a top plan view thereof; and, FIG. 7 is a perspective view showing the rear, top, and right sides thereof.

1 Claim, 7 Drawing Sheets



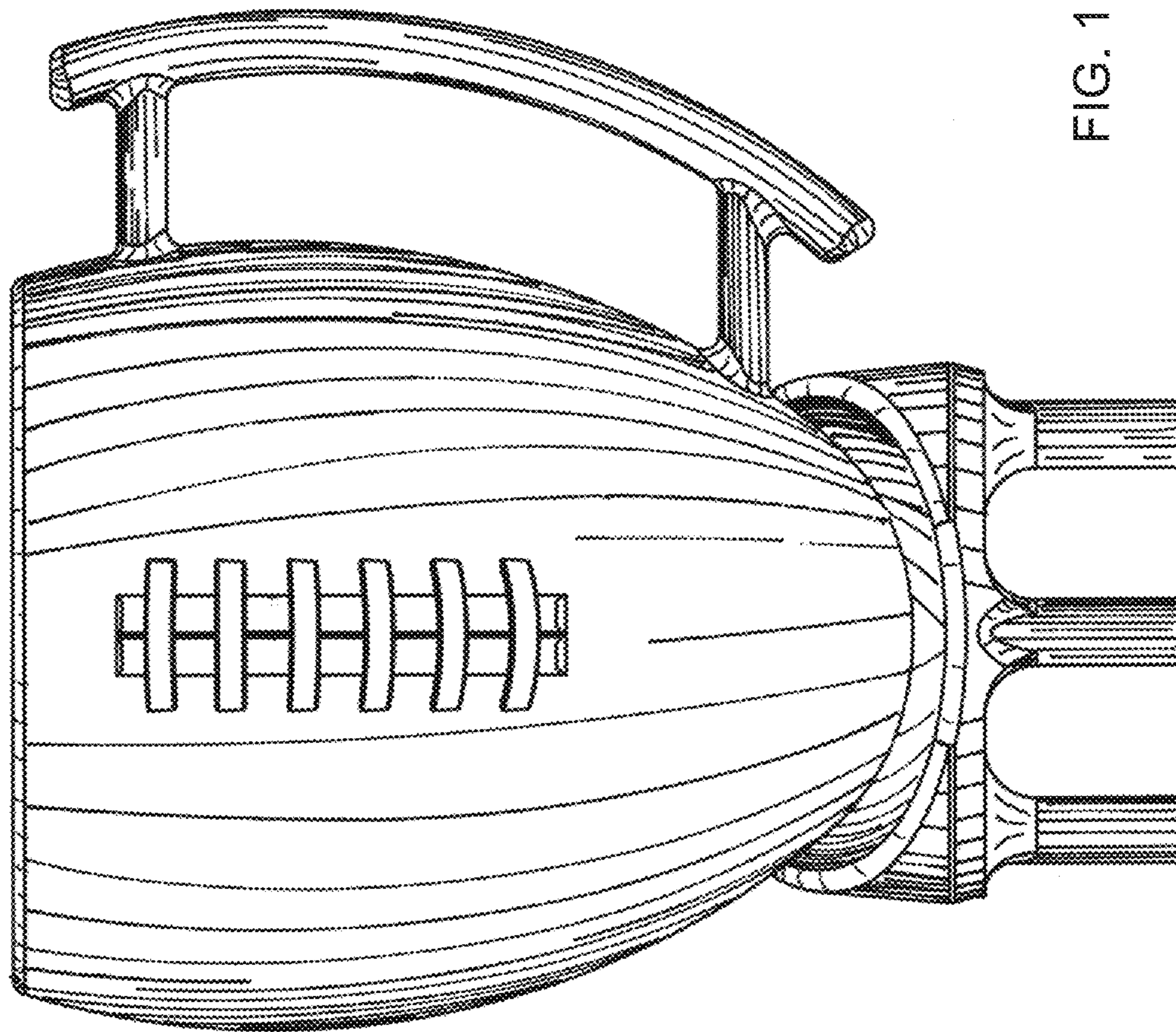


FIG. 1

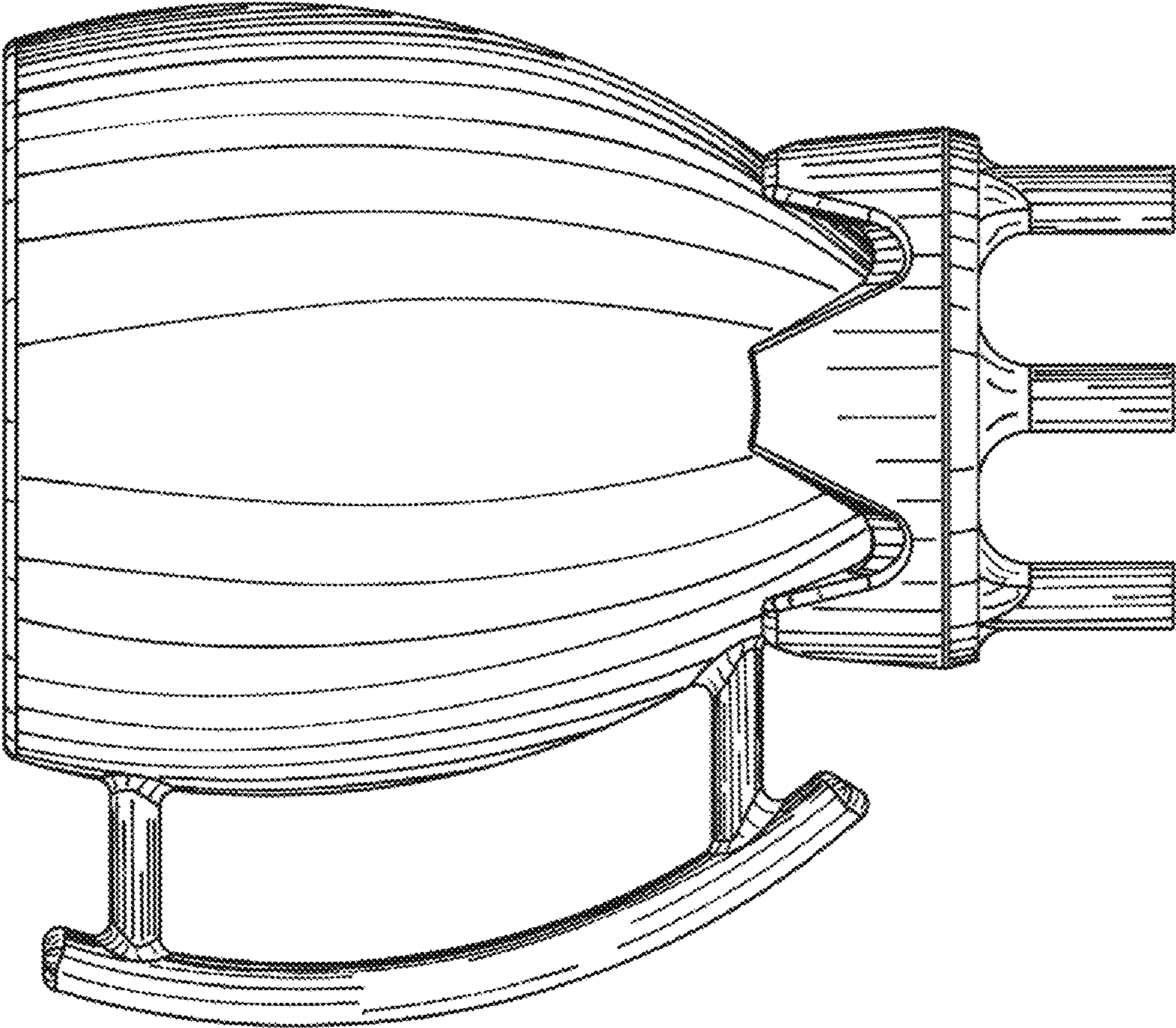


FIG. 2

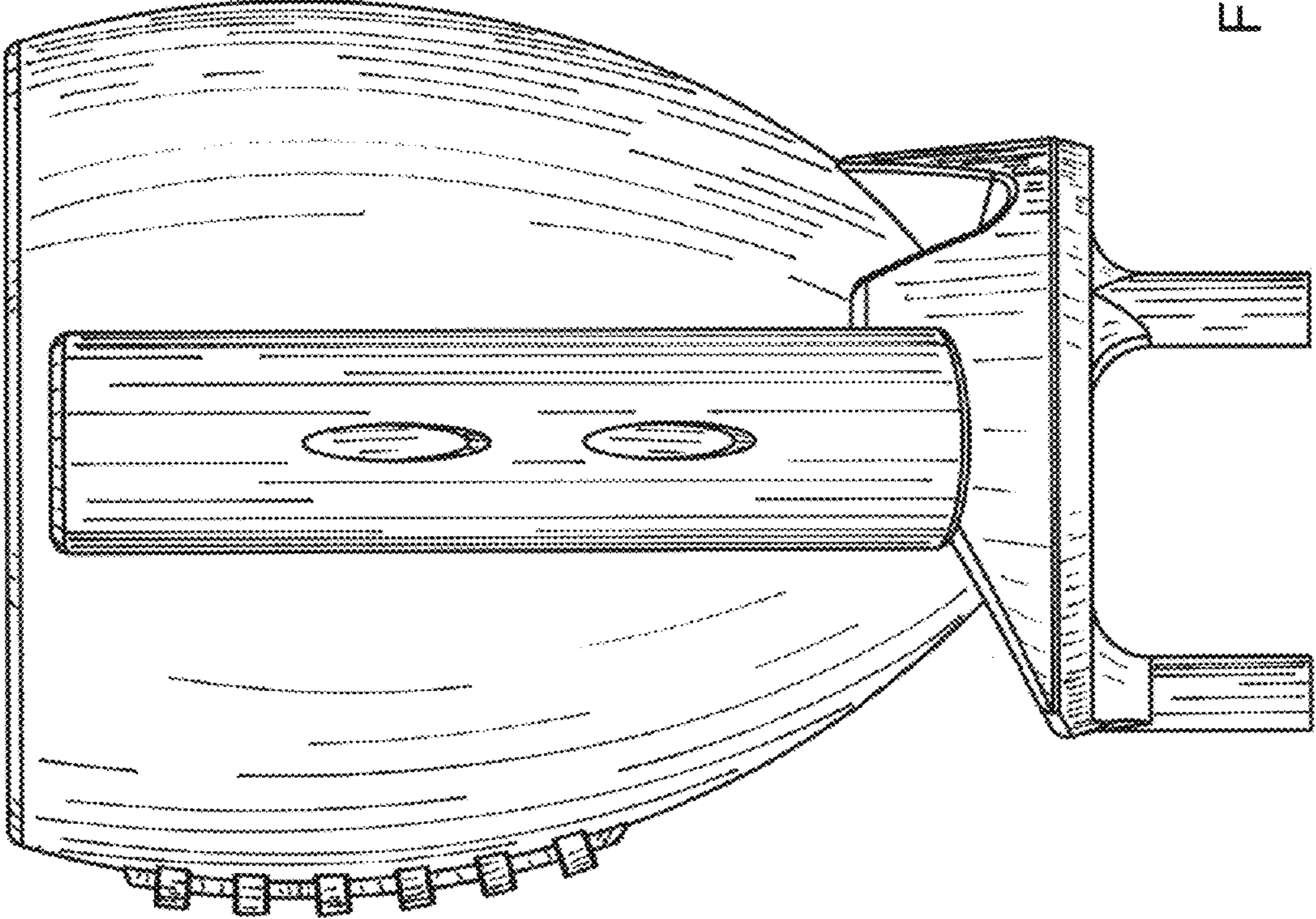


FIG. 3

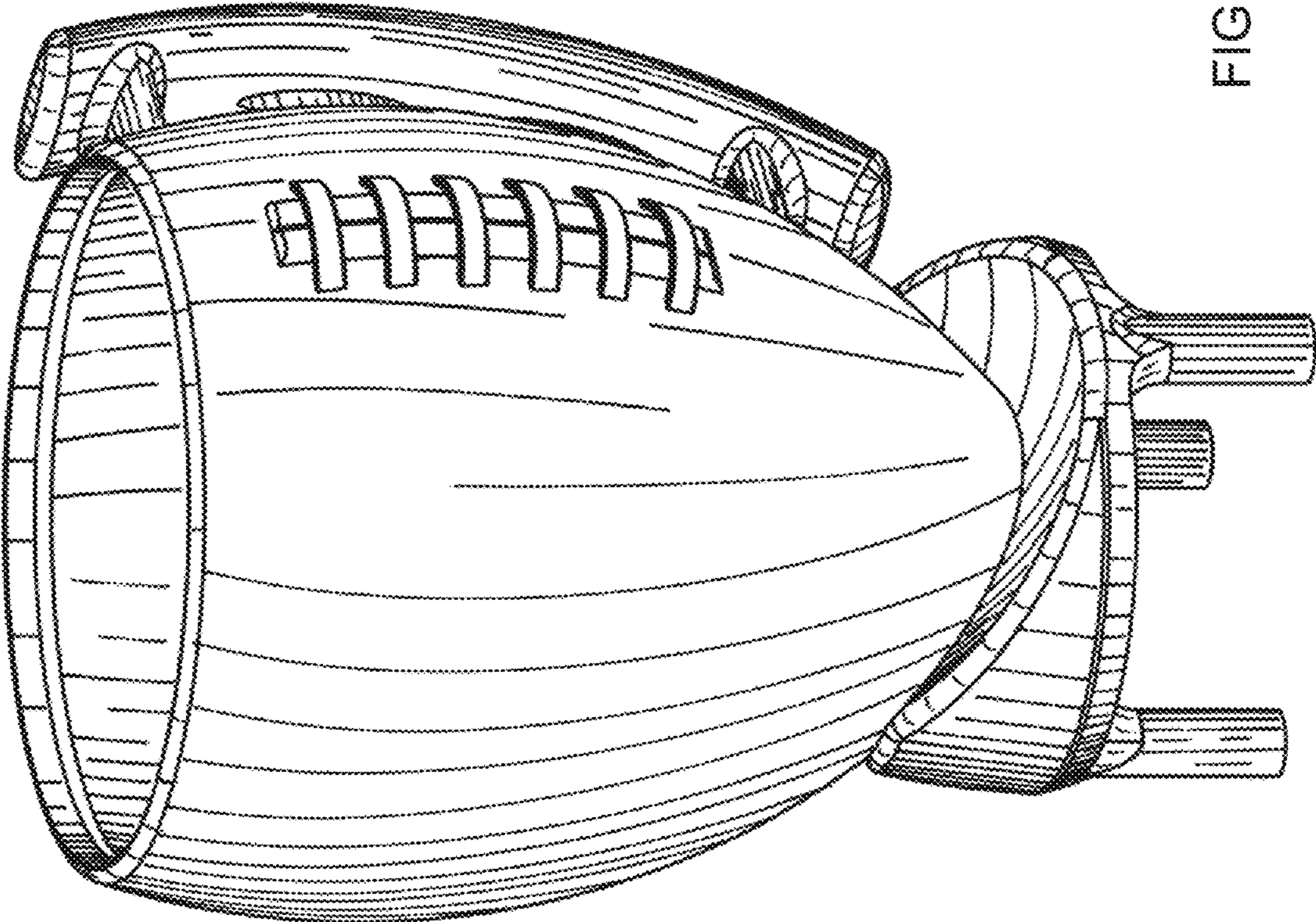


FIG. 4

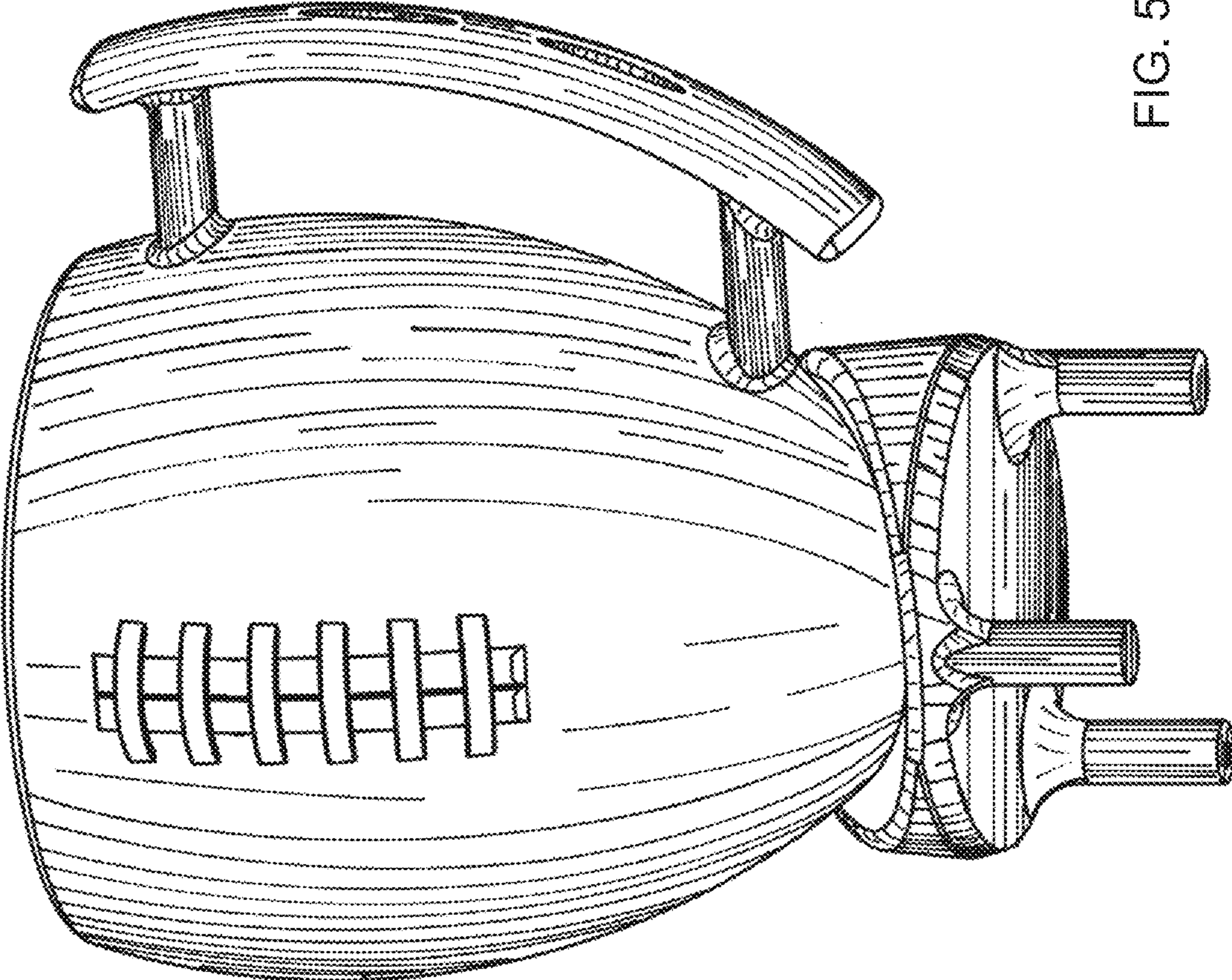


FIG. 5

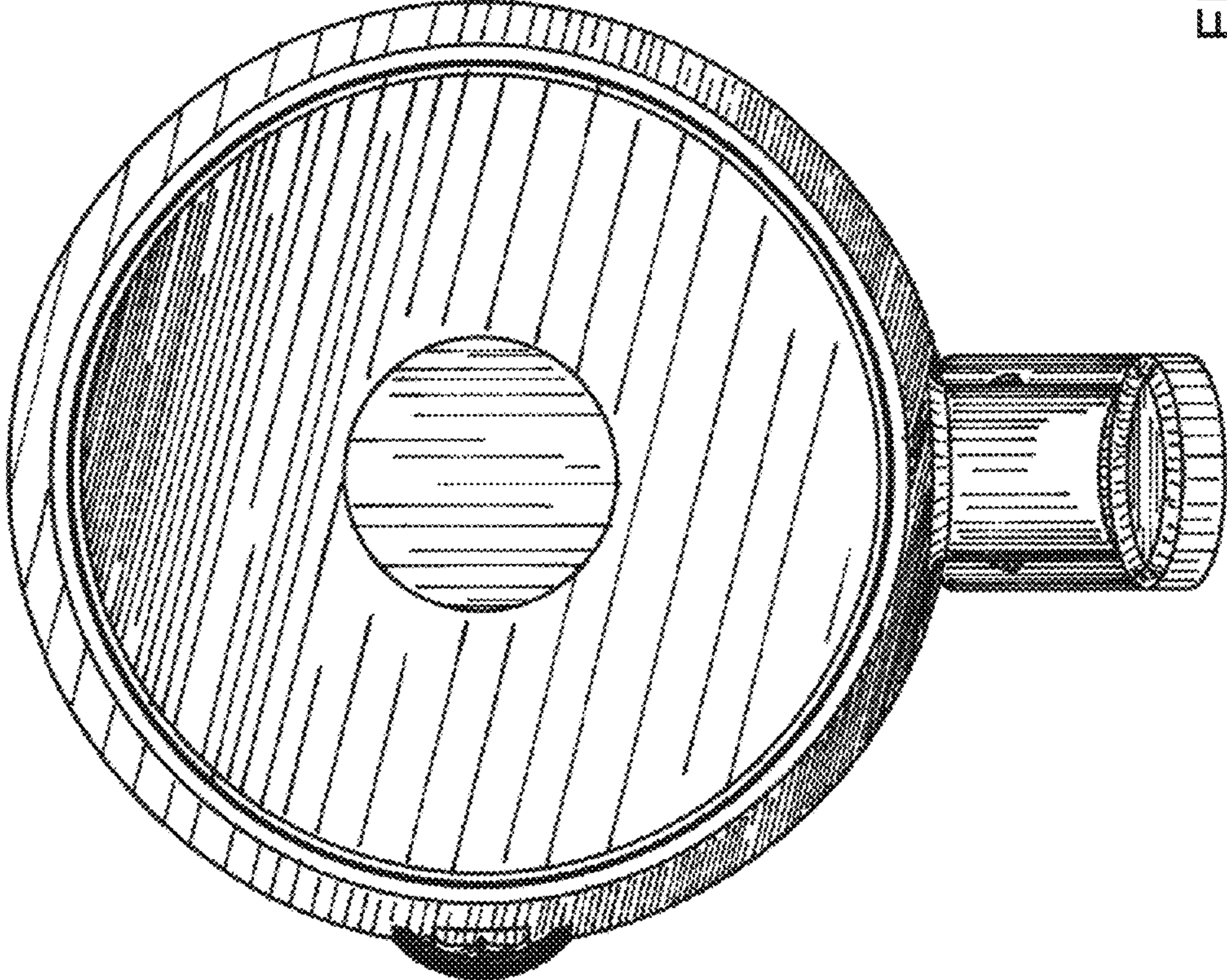


FIG. 6

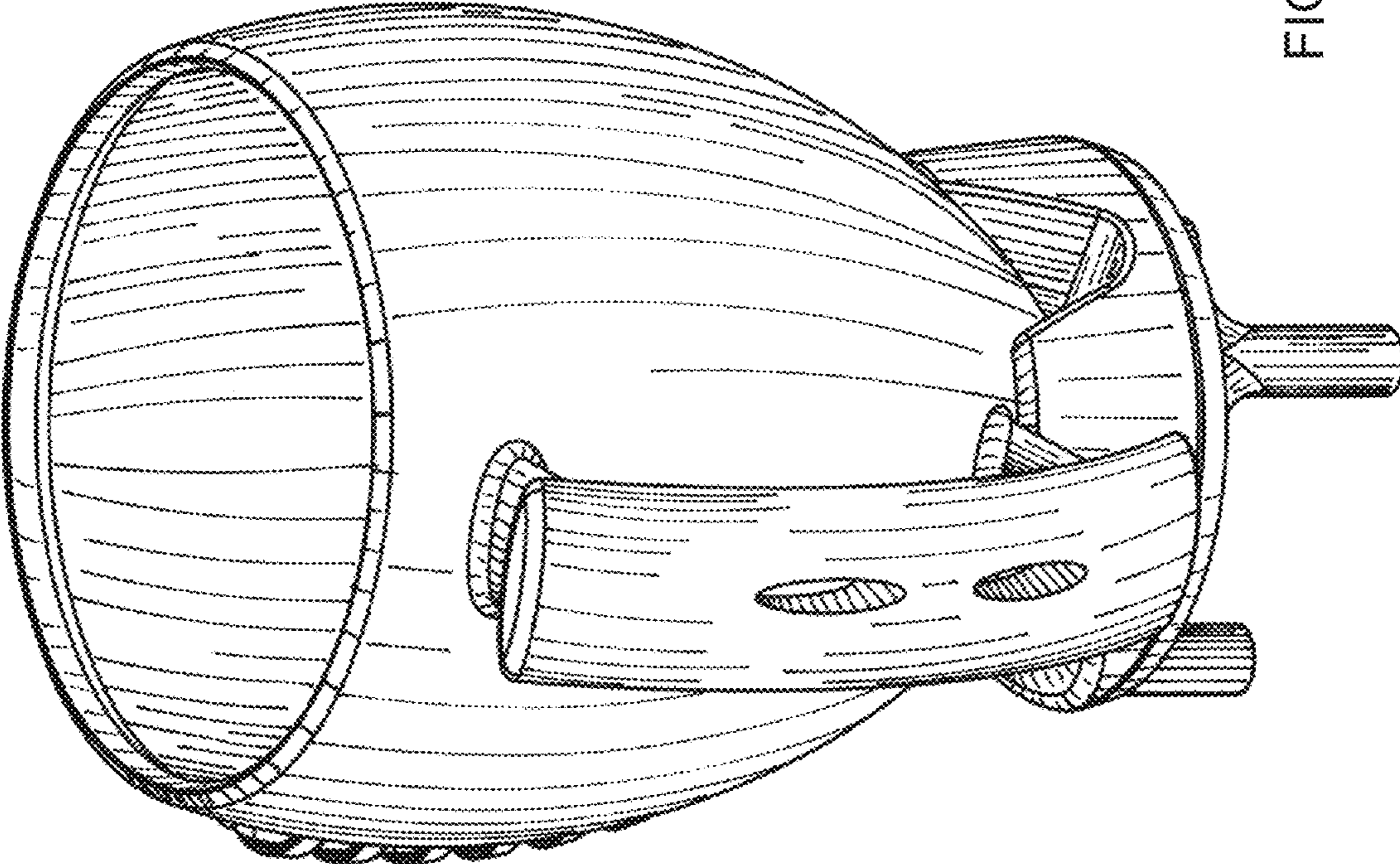


FIG. 7