



US00D713687S

(12) **United States Design Patent**
LV

(10) **Patent No.:** **US D713,687 S**

(45) **Date of Patent:** **** Sep. 23, 2014**

(54) **TRAINER BOTTLE**

(56) **References Cited**

(71) Applicant: **Ningbo Anantara Baby Appliance Co., Ltd.**, Ningbo (CN)

U.S. PATENT DOCUMENTS

(72) Inventor: **Wenda LV**, Ningbo (CN)

6,073,788	A	*	6/2000	Stroud	215/11.1
D440,317	S	*	4/2001	Tollman	D24/197
D464,434	S	*	10/2002	Morano	D24/197
D559,624	S	*	1/2008	Carreno	D7/534
D627,599	S	*	11/2010	Richau et al.	D7/510
D642,435	S	*	8/2011	Schofield et al.	D7/510
D642,438	S	*	8/2011	Schofield et al.	D7/510
D642,866	S	*	8/2011	Schofield et al.	D7/510
D650,233	S	*	12/2011	Roehrig et al.	D7/510
D683,185	S	*	5/2013	Thomas	D7/510
D684,426	S	*	6/2013	Bottomley et al.	D7/516
D692,724	S	*	11/2013	Smiedt et al.	D7/510
D693,177	S	*	11/2013	Tollman	D7/534

(73) Assignee: **Ningbo Anantara Baby Appliance Co., Ltd.**, Ningbo (CN)

(**) Term: **14 Years**

(21) Appl. No.: **29/444,775**

(22) Filed: **Feb. 4, 2013**

* cited by examiner

(30) **Foreign Application Priority Data**

Primary Examiner — Susan Bennett Hattan

Assistant Examiner — Brett Miller

Oct. 19, 2012 (CN) 2012 3 0499389

(51) **LOC (10) Cl.** **07-01**

(57) **CLAIM**

The ornamental design for a trainer bottle, as shown.

(52) **U.S. Cl.**

DESCRIPTION

USPC **D7/510**

(58) **Field of Classification Search**

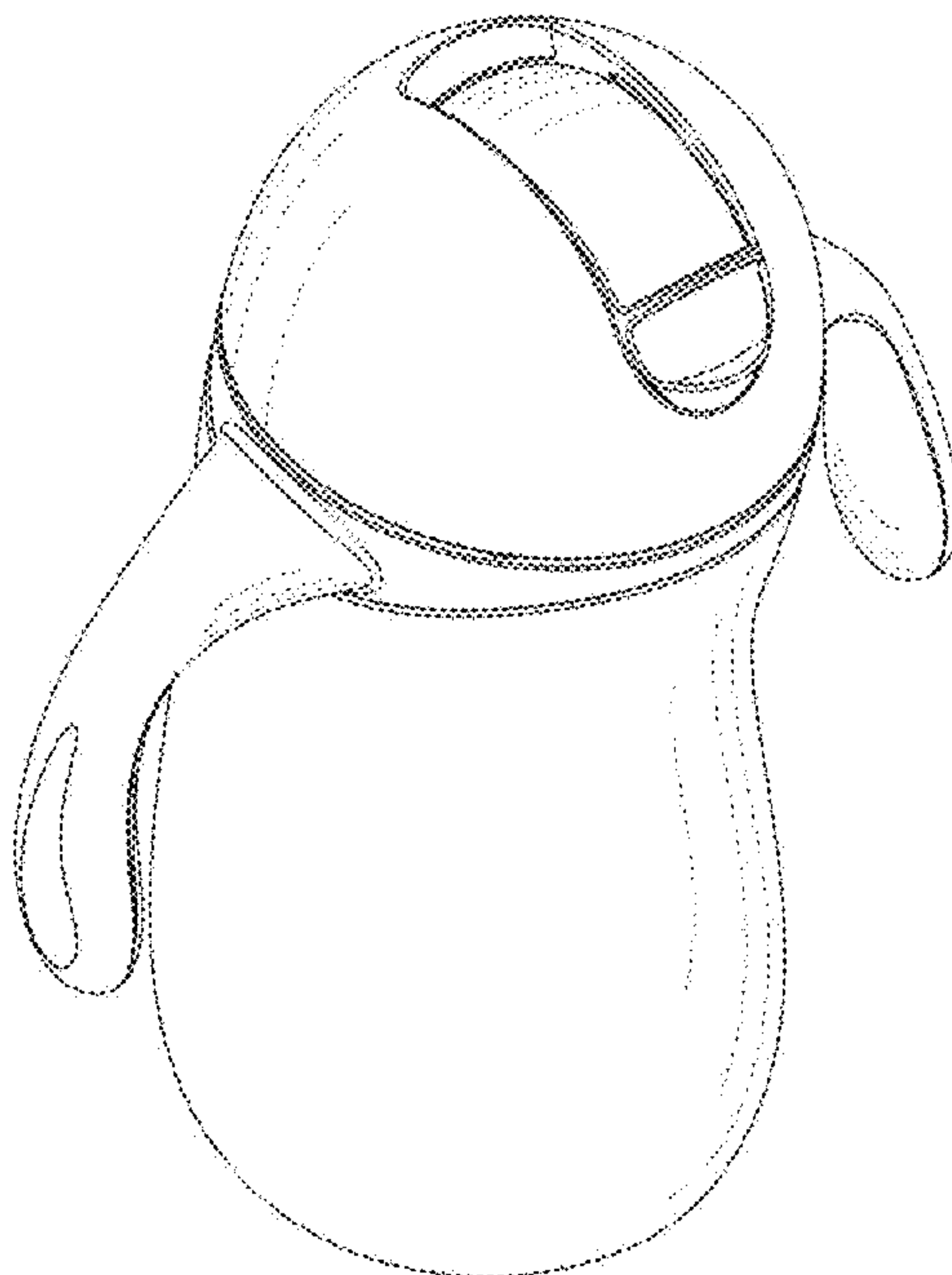
CPC ... A47G 19/2266–19/2272; A61J 9/00–9/008; A61J 9/08–9/085

USPC D7/509–513, 533–536, 392.1, 392.2, D7/397, 398, 538, 514–518, 393; 220/717, 220/718, 713, 203.18, 303; D24/194–197; D9/447, 529, 503, 504, 723

FIG. 1 is a front plan view of a trainer bottle showing my new design;
FIG. 2 is a back plan view thereof;
FIG. 3 is a top plan view thereof;
FIG. 4 is a bottom plan view thereof;
FIG. 5 is a left plan view thereof;
FIG. 6 is a right plan view thereof; and,
FIG. 7 is a perspective view thereof.

See application file for complete search history.

1 Claim, 7 Drawing Sheets



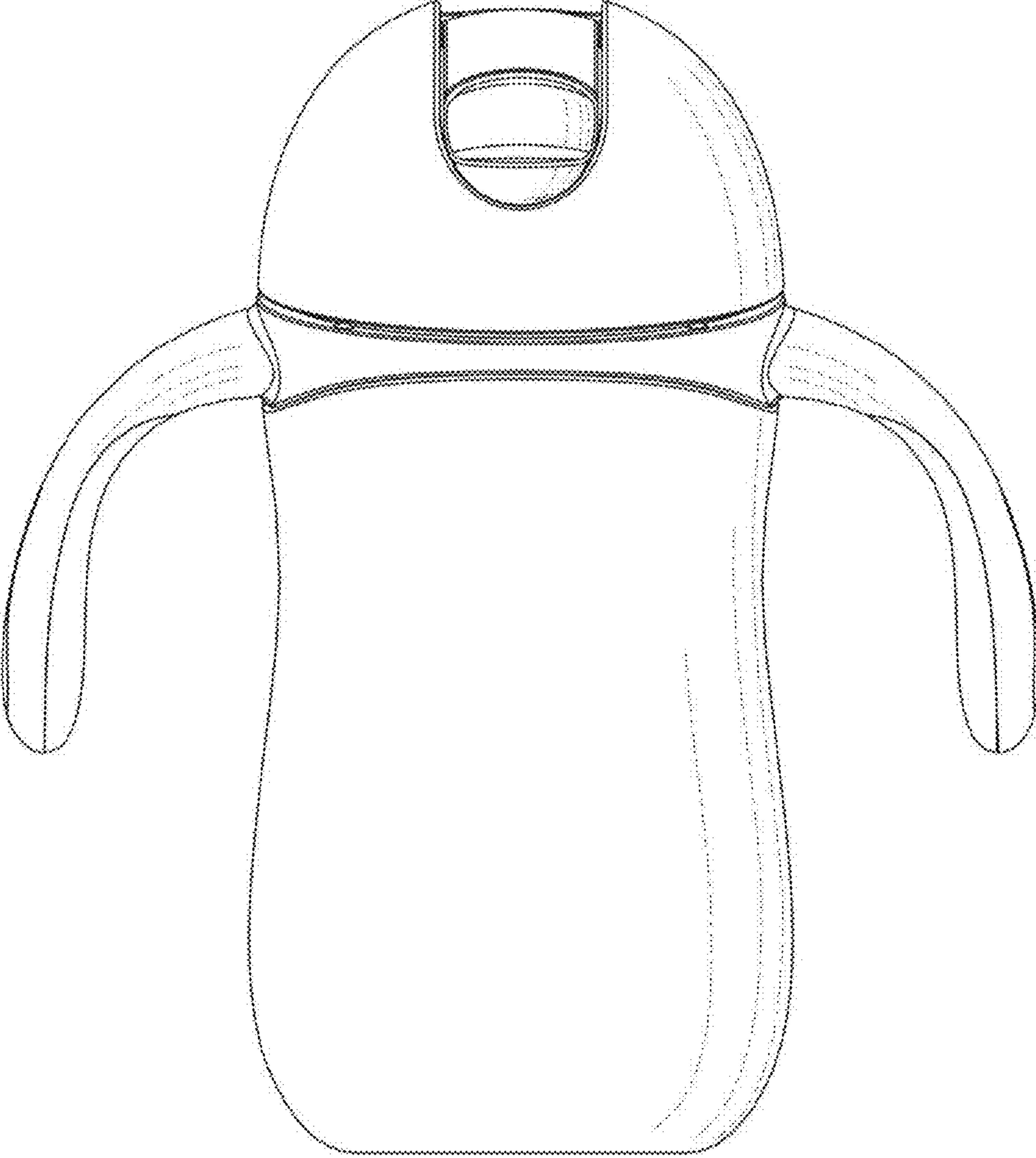


Figure 1

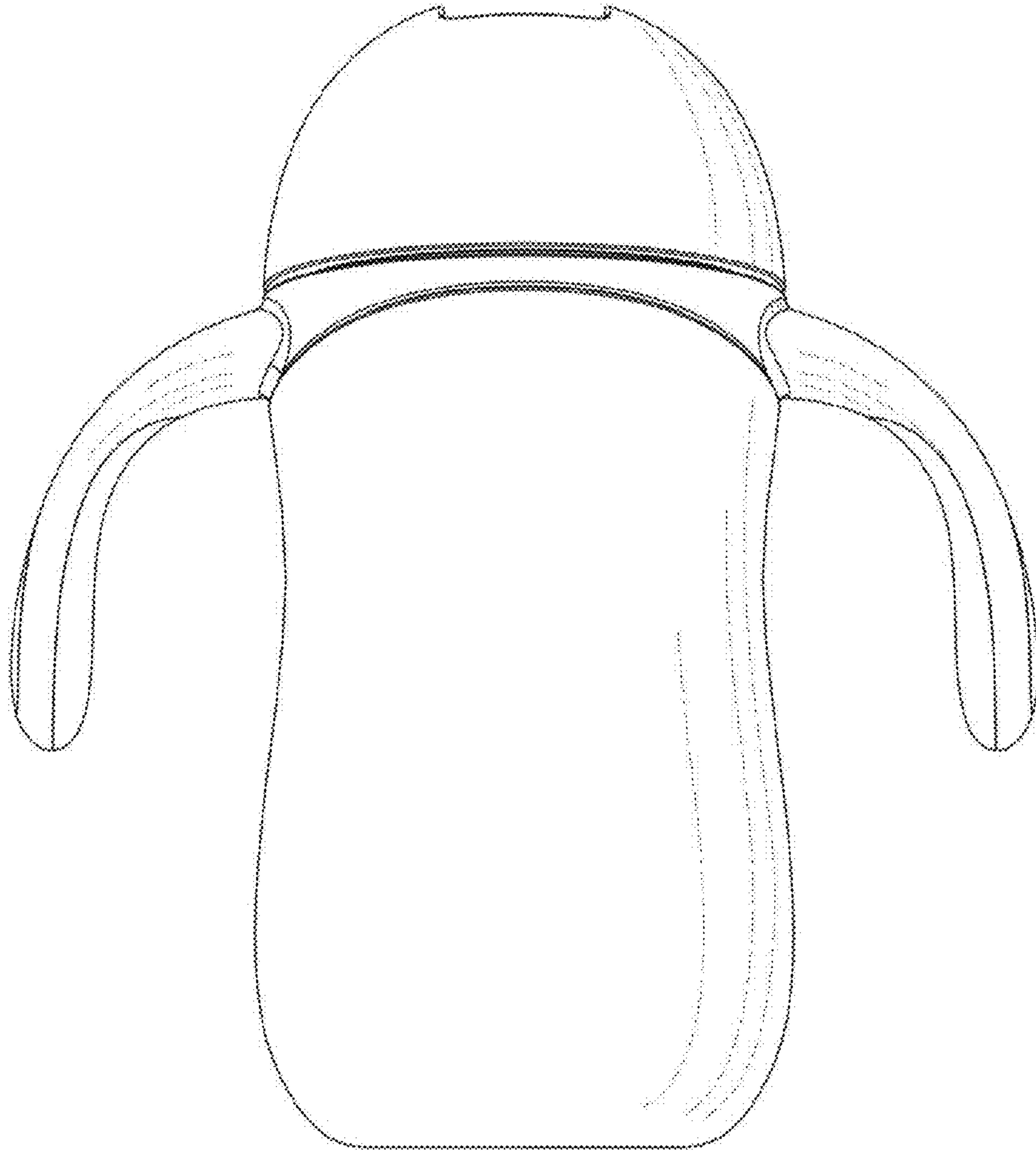


Figure 2

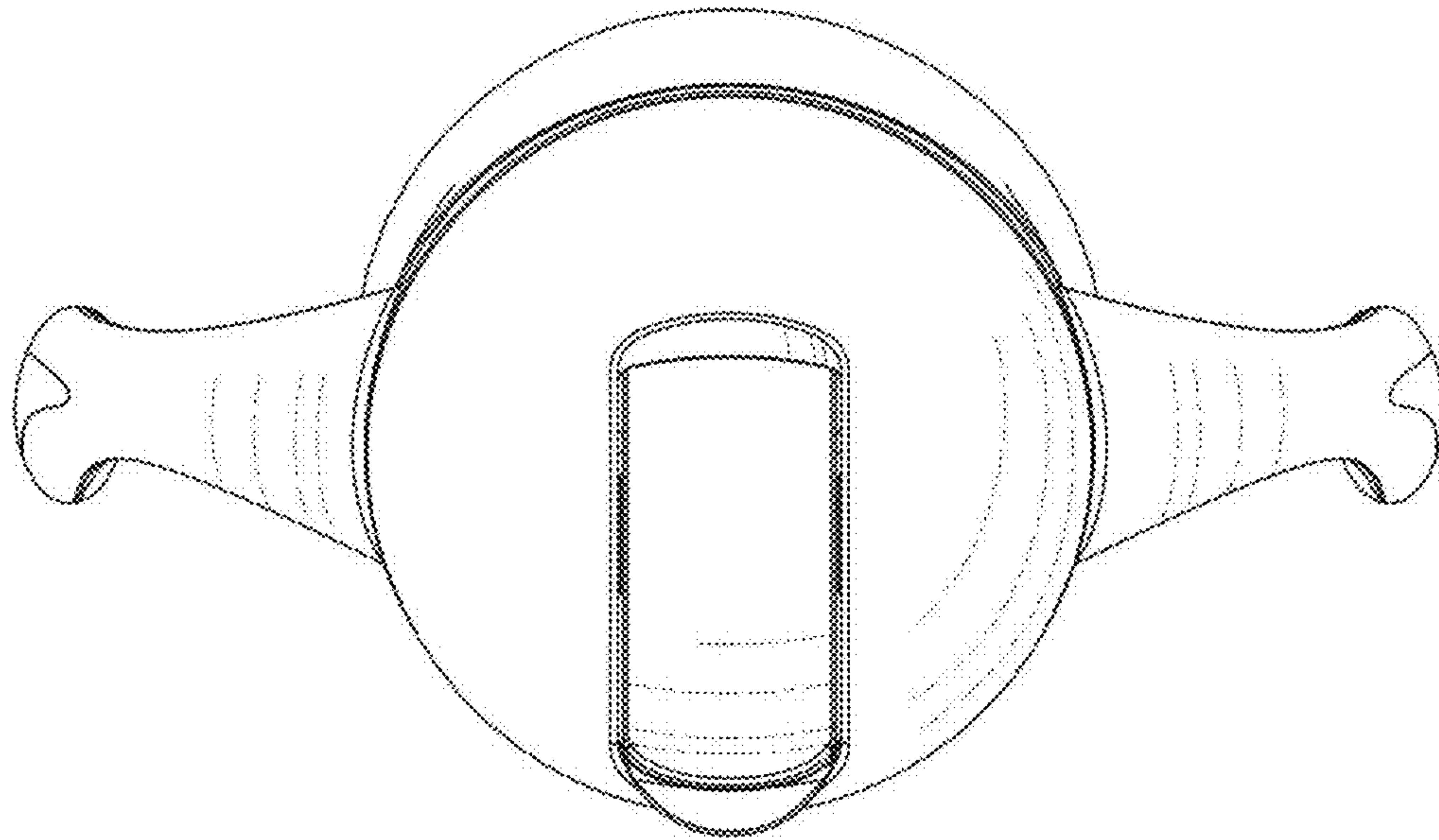


Figure 3

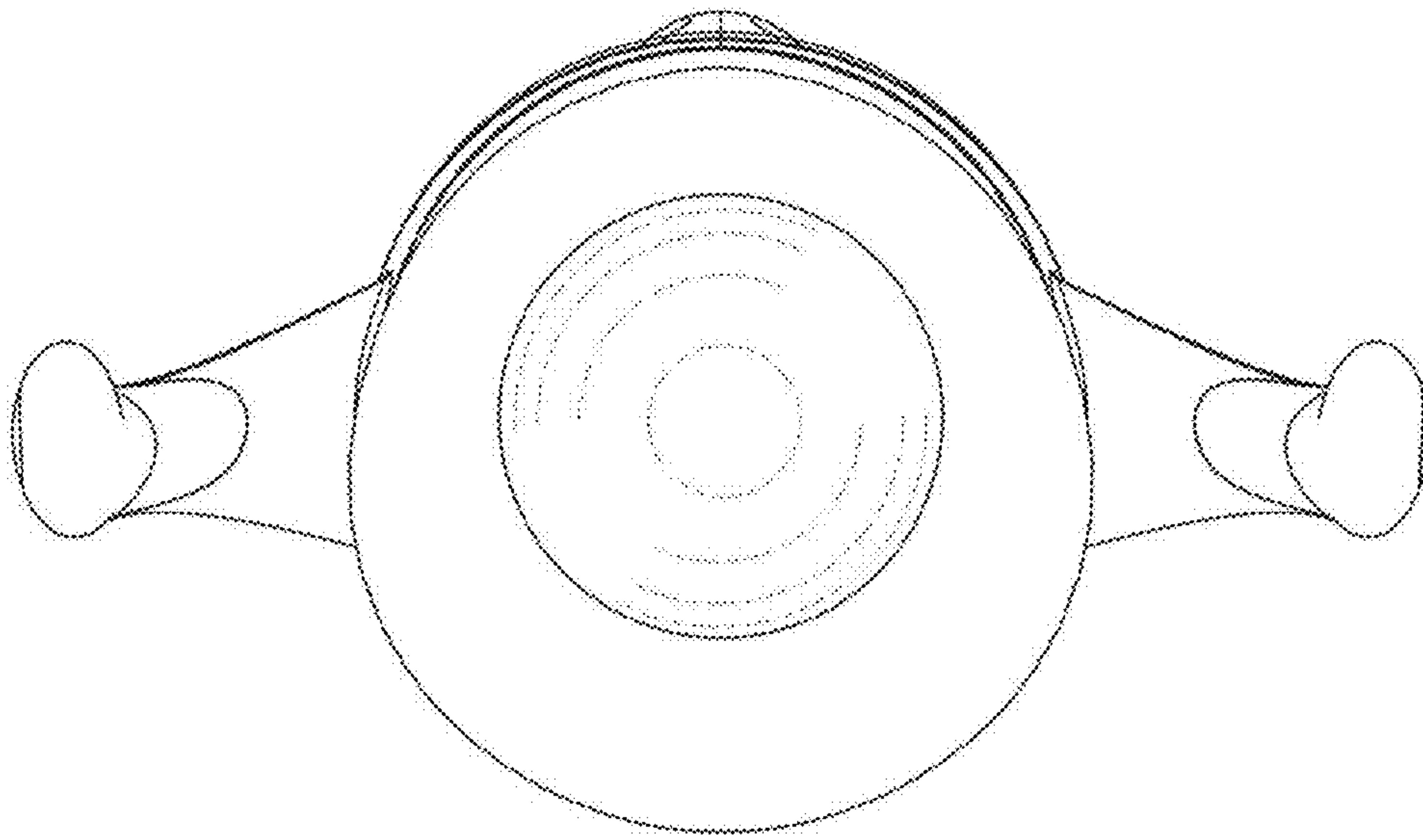


Figure 4

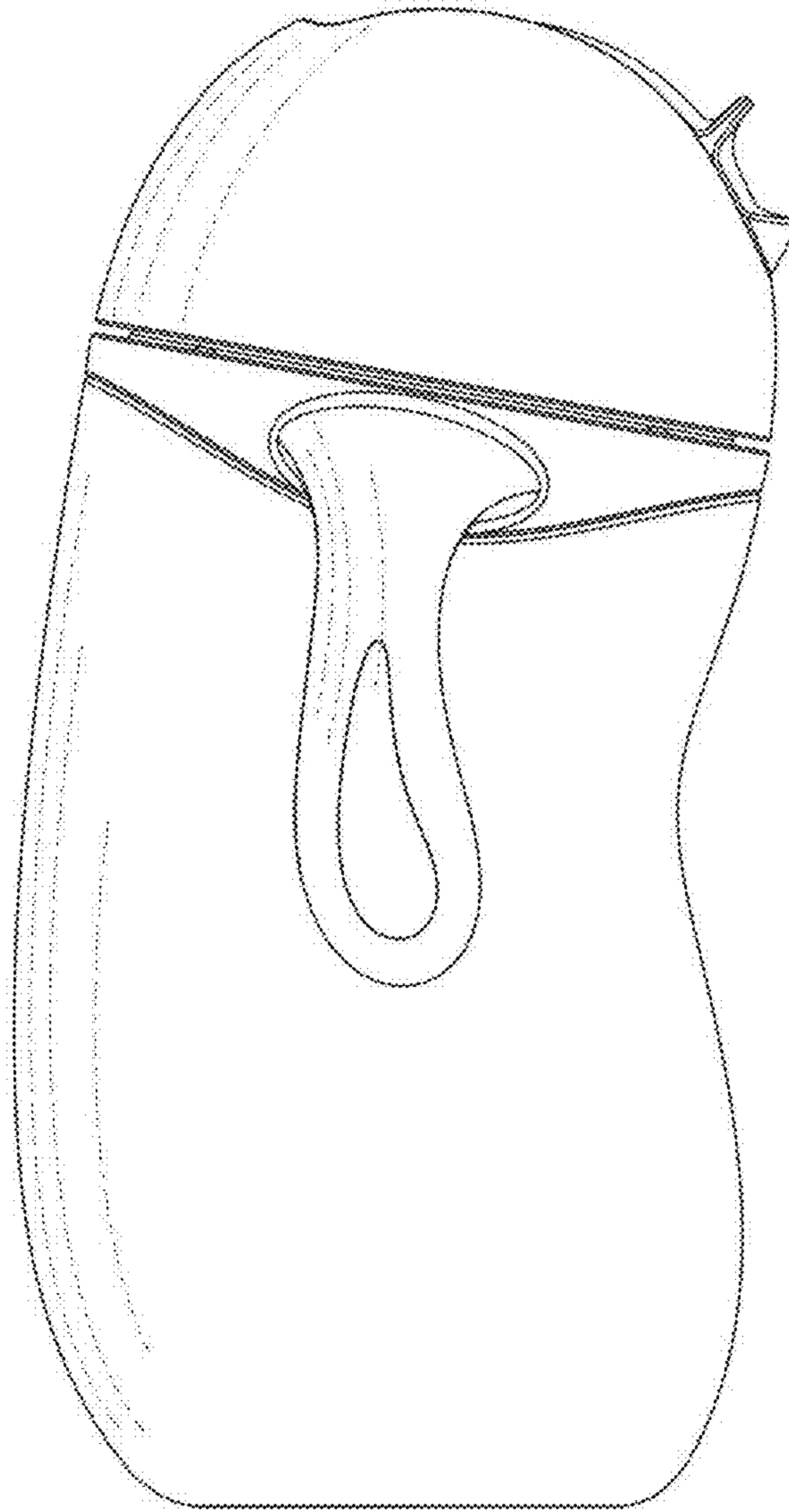


Figure 5

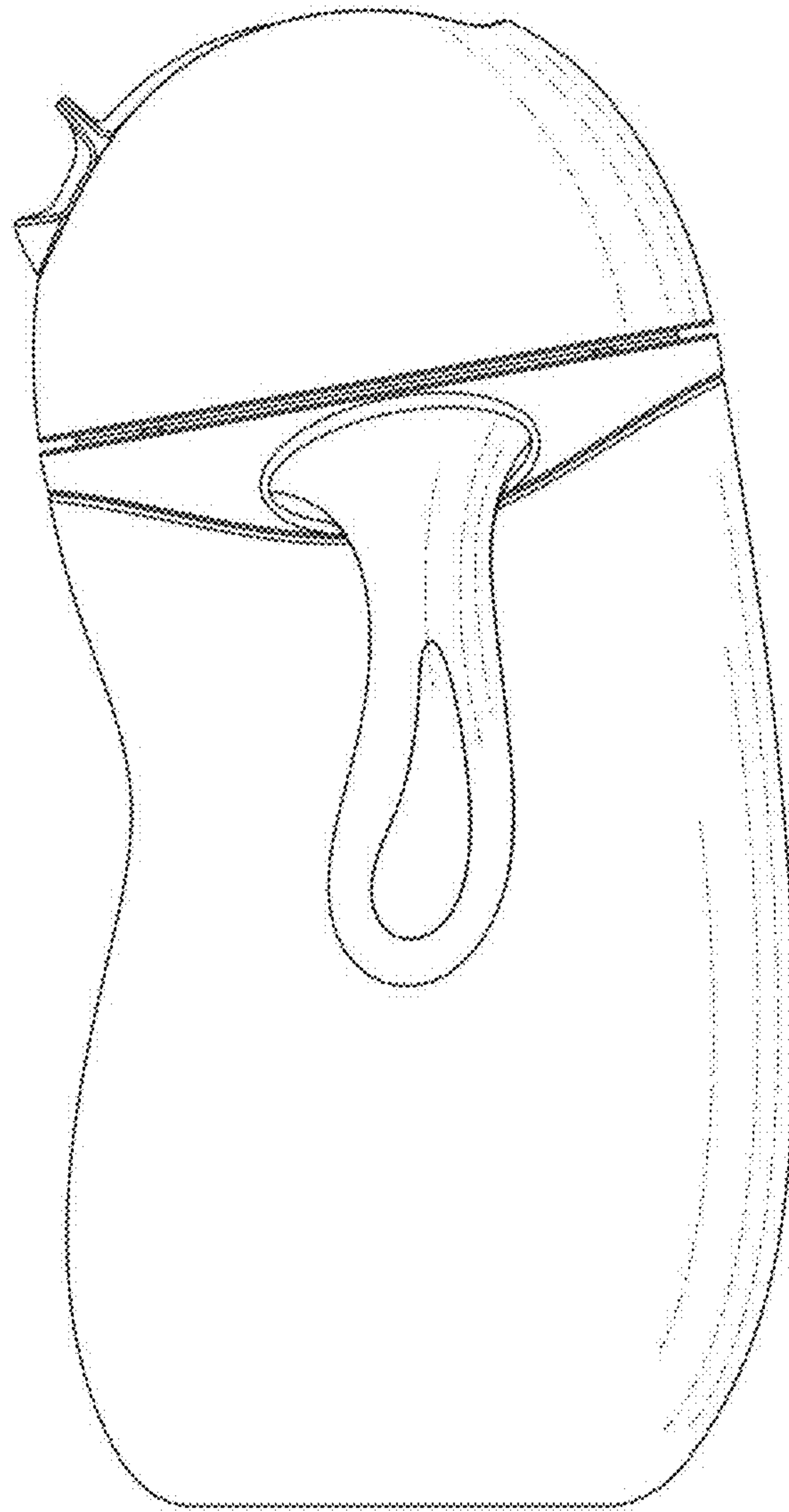


Figure 6

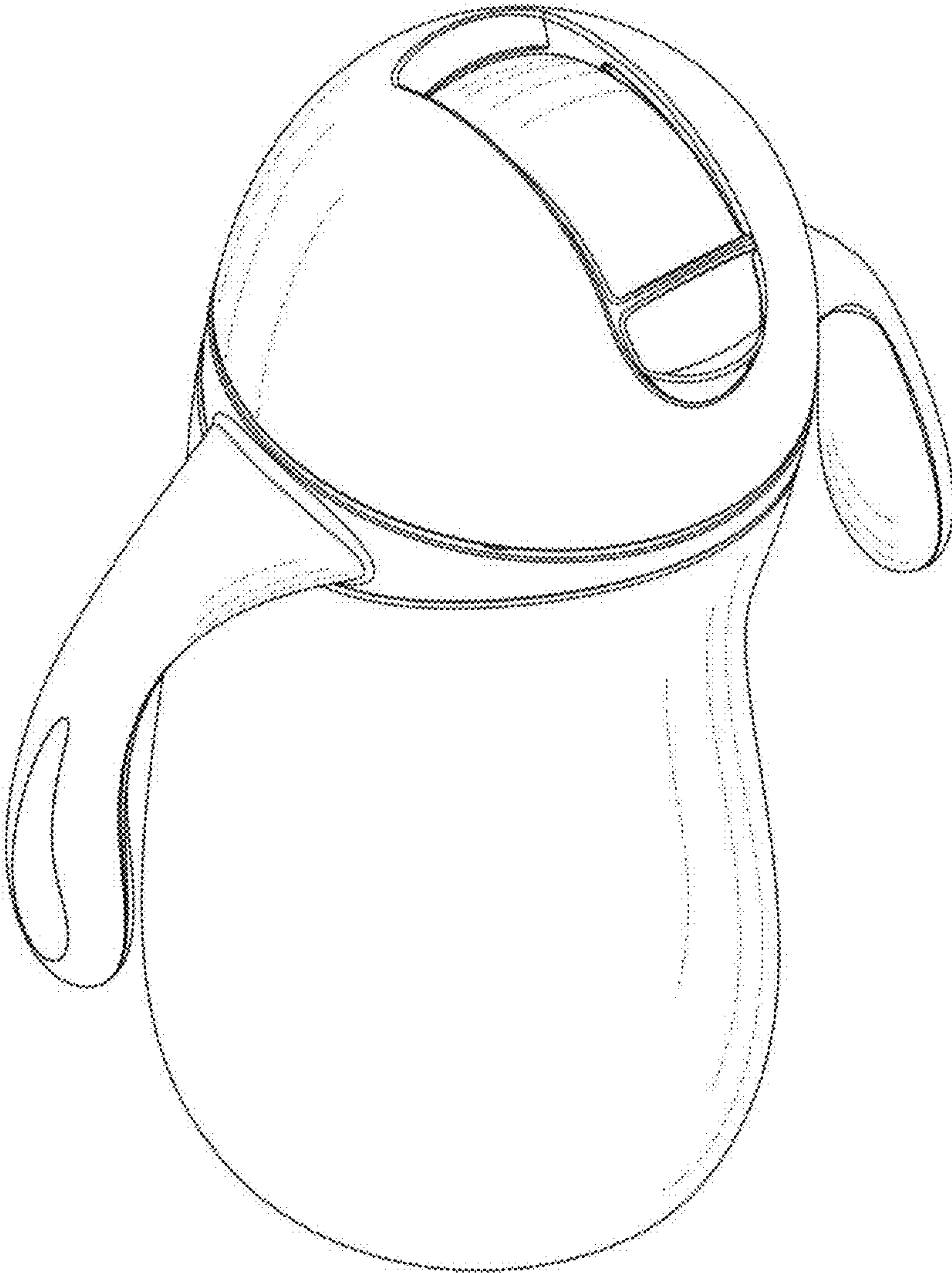


Figure 7