



US00D713686S

(12) **United States Design Patent**
Eyal

(10) **Patent No.:** **US D713,686 S**

(45) **Date of Patent:** **** Sep. 23, 2014**

(54) **BEVERAGE CONTAINER**

(71) Applicant: **Sharon Eyal**, Oxnard, CA (US)

(72) Inventor: **Sharon Eyal**, Oxnard, CA (US)

(73) Assignee: **ETS Express, Inc.**, Oxnard, CA (US)

(**) Term: **14 Years**

(21) Appl. No.: **29/447,942**

(22) Filed: **Mar. 7, 2013**

(51) **LOC (10) Cl.** **07-01**

(52) **U.S. Cl.**
USPC **D7/509**

(58) **Field of Classification Search**

USPC D7/312, 316, 392.1, 396.2, 500, 502,
D7/504, 507, 509, 510, 511, 513, 523, 524,
D7/526-528, 530-533, 535, 536, 538, 540,
D7/565, 584, 602, 608, 619.1; D9/500,
D9/502, 516, 519, 537, 545, 549, 555, 776,
D9/778; D11/152; D34/1; 62/457.3;
206/519; 215/10, 12.1, 200, 315, 373,
215/374, 377, 382, 387; 220/23.83, 62.18,
220/298, 495.04, 507, 560, 592.16, 592.17,
220/669, 703, 705, 710.5, 711, 719;
229/400, 403, 404; 383/110

See application file for complete search history.

(56) **References Cited**

U.S. PATENT DOCUMENTS

D572,975 S *	7/2008	Germany	D7/510
D577,260 S *	9/2008	Bodum	D7/523
D581,739 S *	12/2008	Bodum	D7/523
D604,163 S *	11/2009	Nelson et al.	D9/504
D618,964 S *	7/2010	Eisenhardt	D7/523
D634,162 S *	3/2011	Holscher	D7/532

* cited by examiner

Primary Examiner — Susan Bennett Hattan

Assistant Examiner — Leanne Was

(74) *Attorney, Agent, or Firm* — Kleinberg & Lerner, LLP;
Marvin H. Kleinberg; Marshall A. Lerner

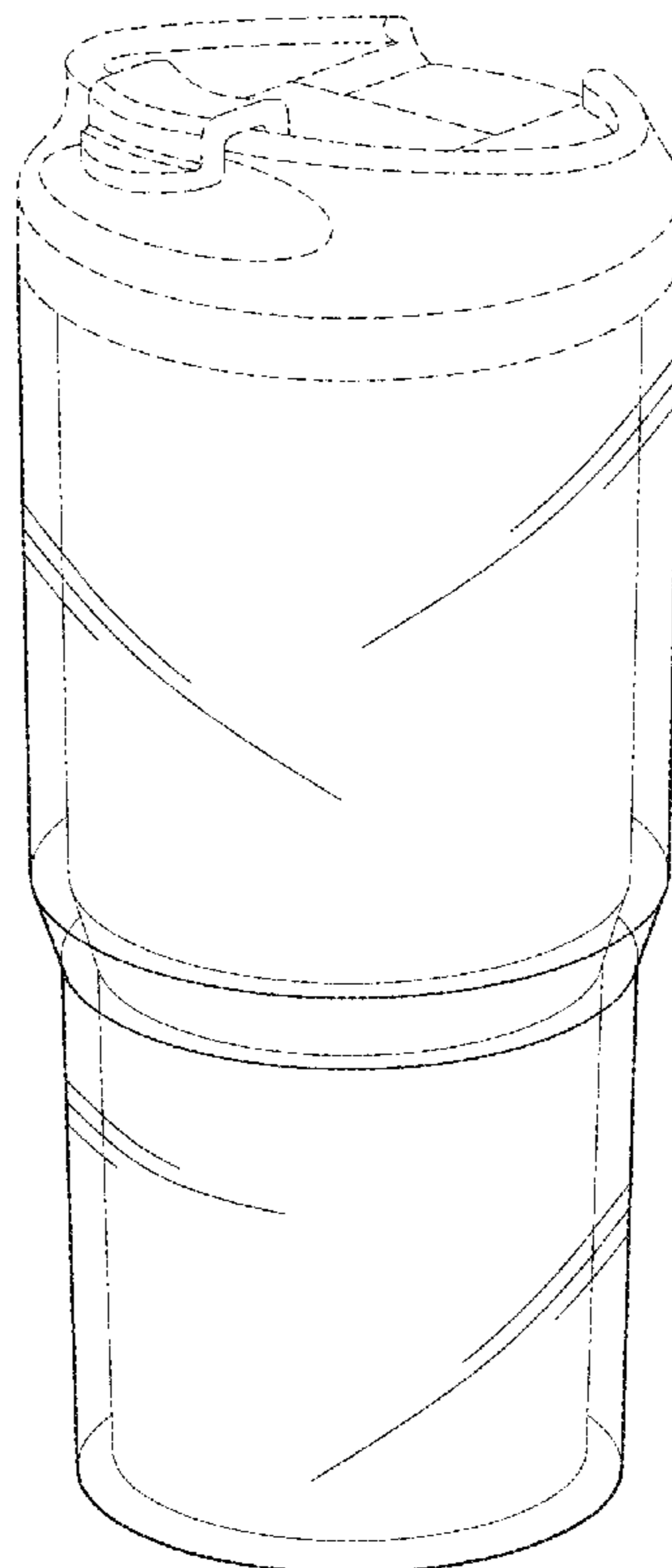
(57) **CLAIM**

The ornamental design for a beverage container, as shown and described.

DESCRIPTION

FIG. 1 is a perspective view of a beverage container showing my new design;
FIG. 2 is a front view thereof;
FIG. 3 is a left side view of the beverage container of FIG. 1;
FIG. 4 is a right side view thereof;
FIG. 5 is a rear view thereof;
FIG. 6 is a top plan view thereof; and,
FIG. 7 is a bottom plan view thereof.
The broken lines in the drawings depict environmental subject matter and form no part of the claimed design.

1 Claim, 4 Drawing Sheets



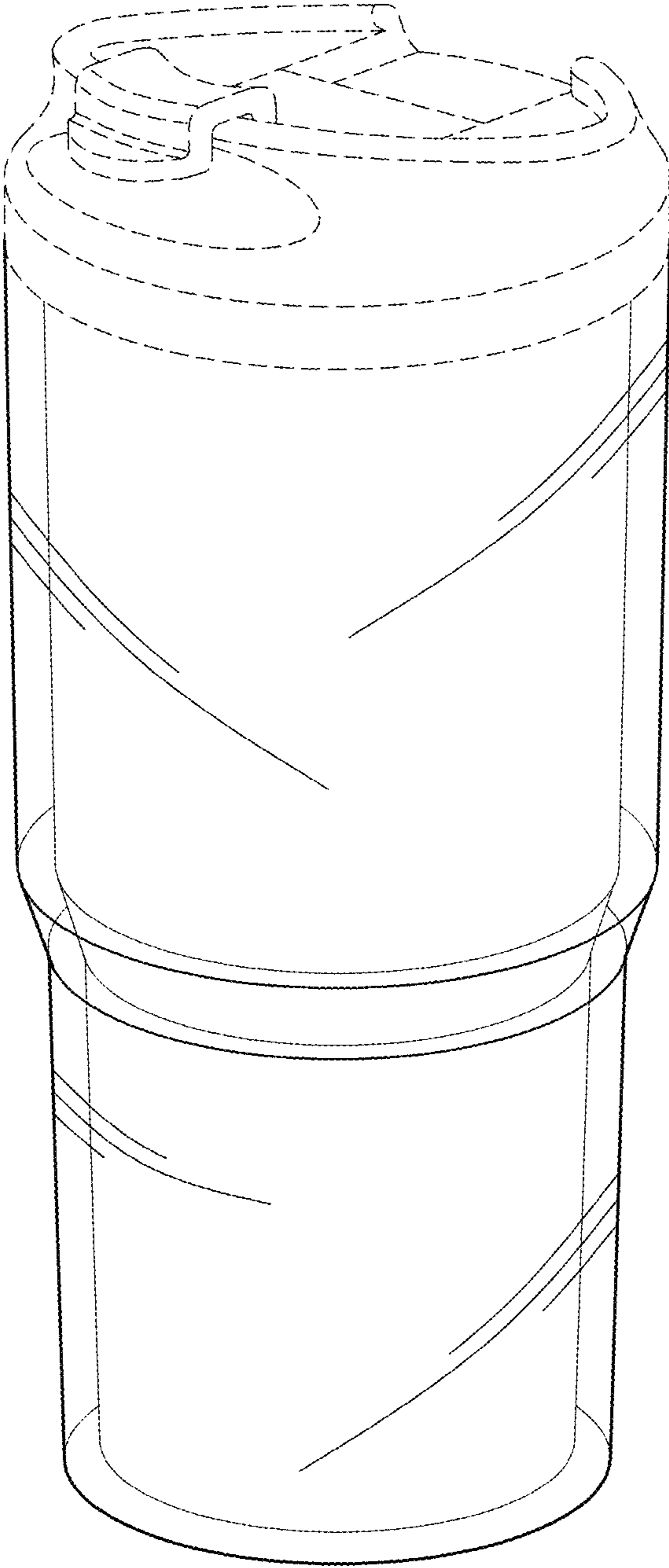


FIG. 1

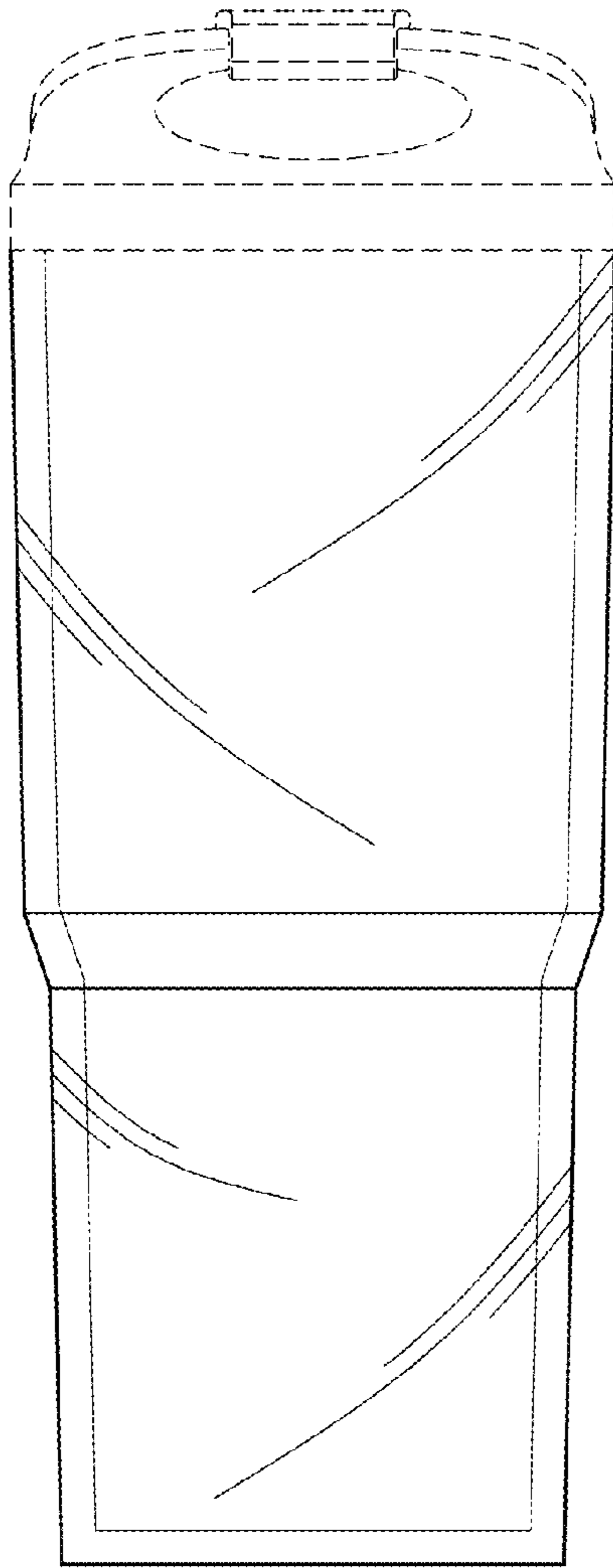


FIG. 2

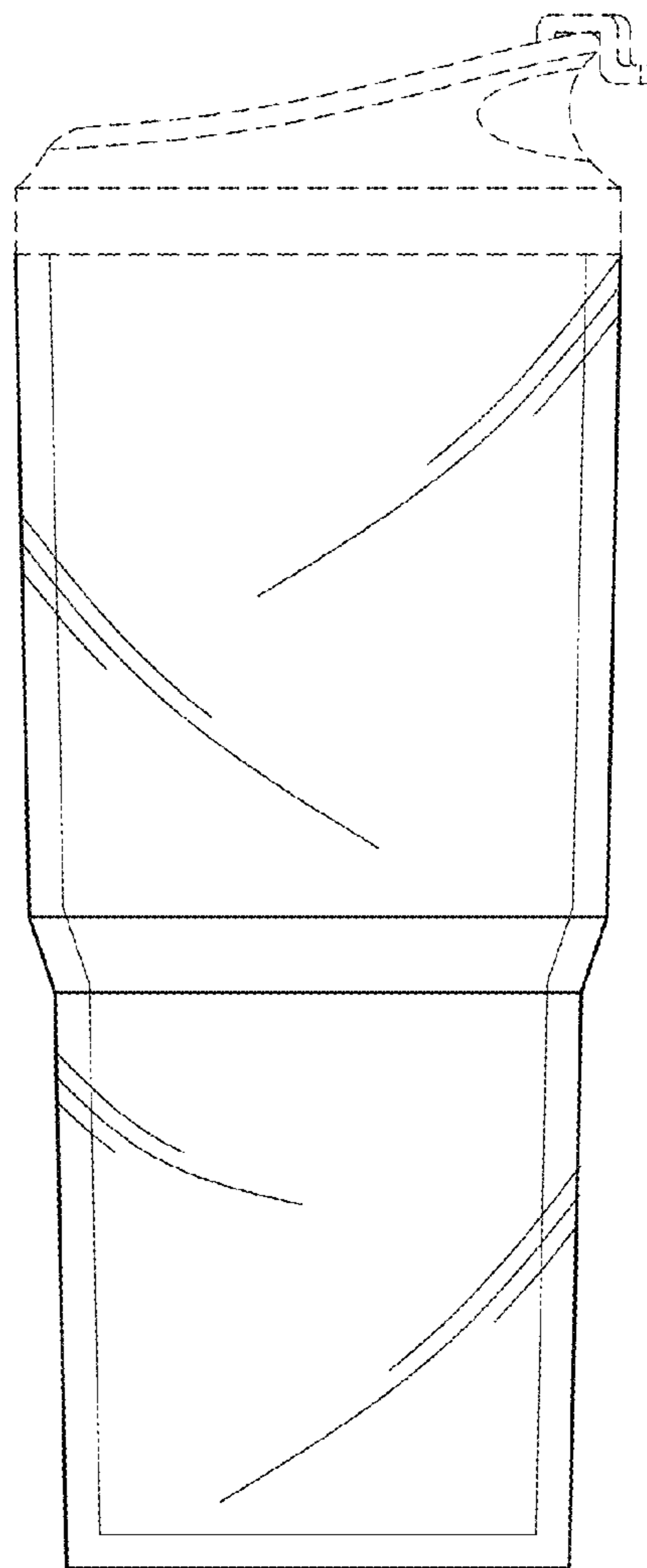


FIG. 3

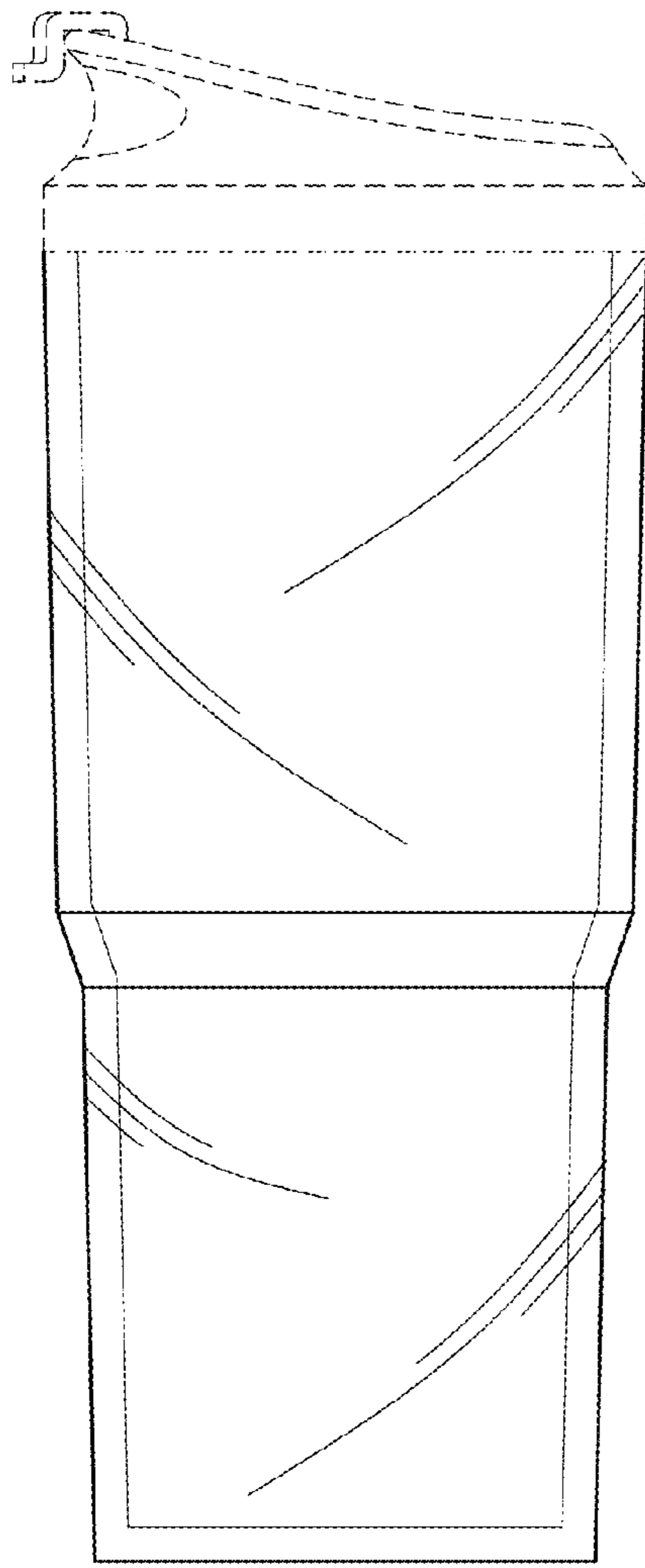


FIG. 4

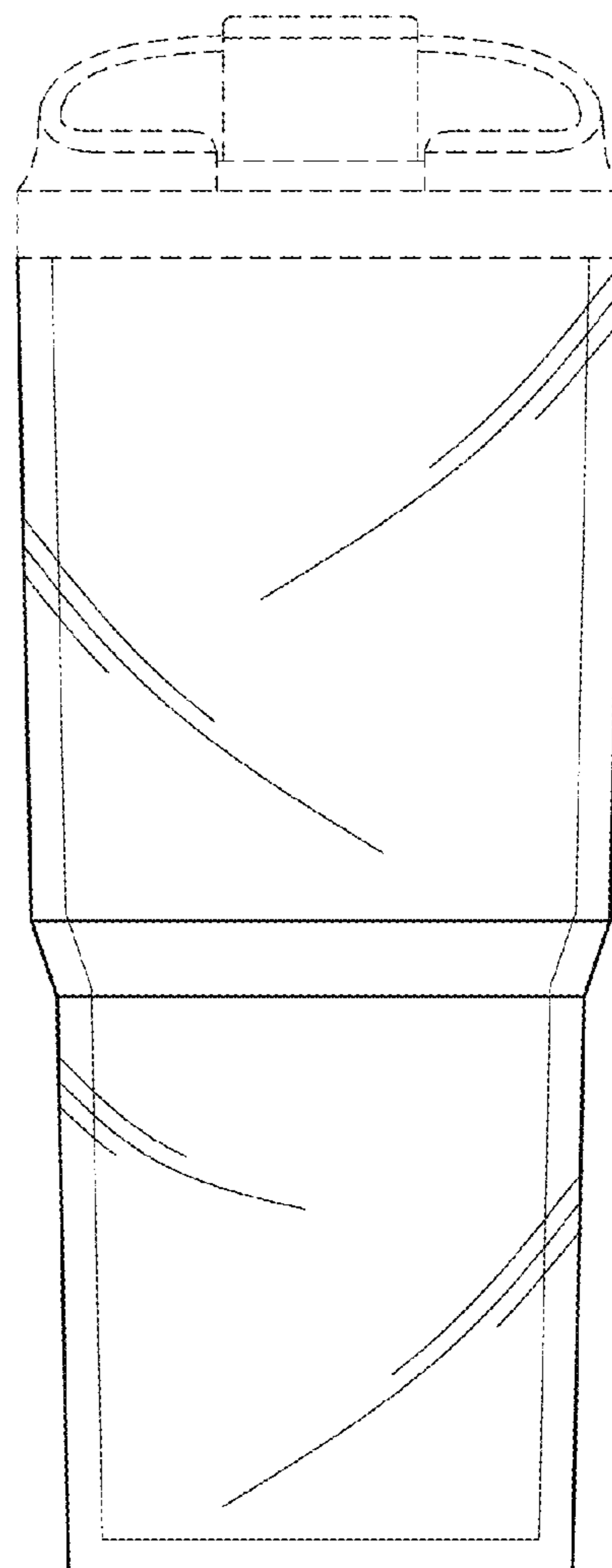


FIG. 5

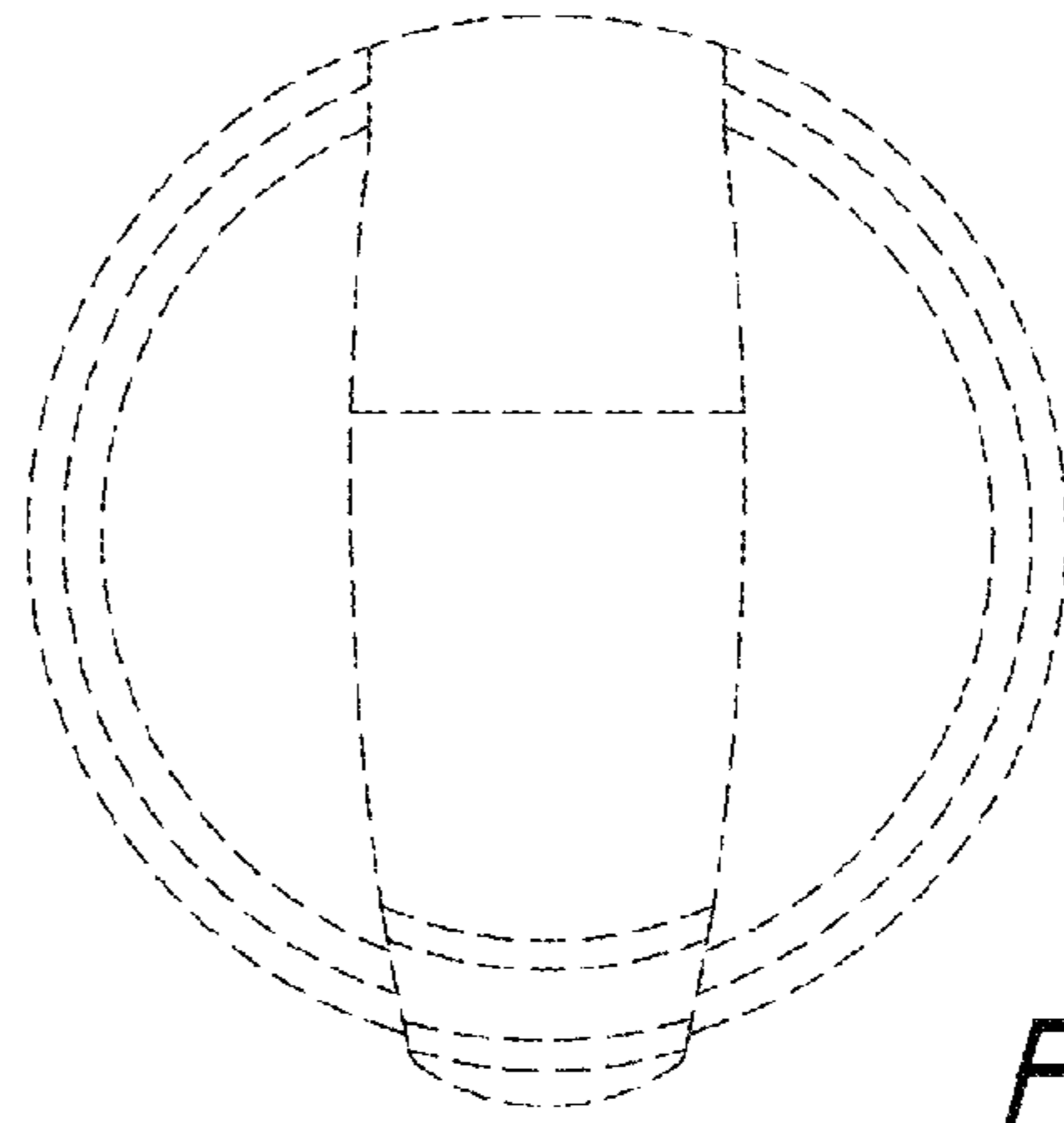


FIG. 6

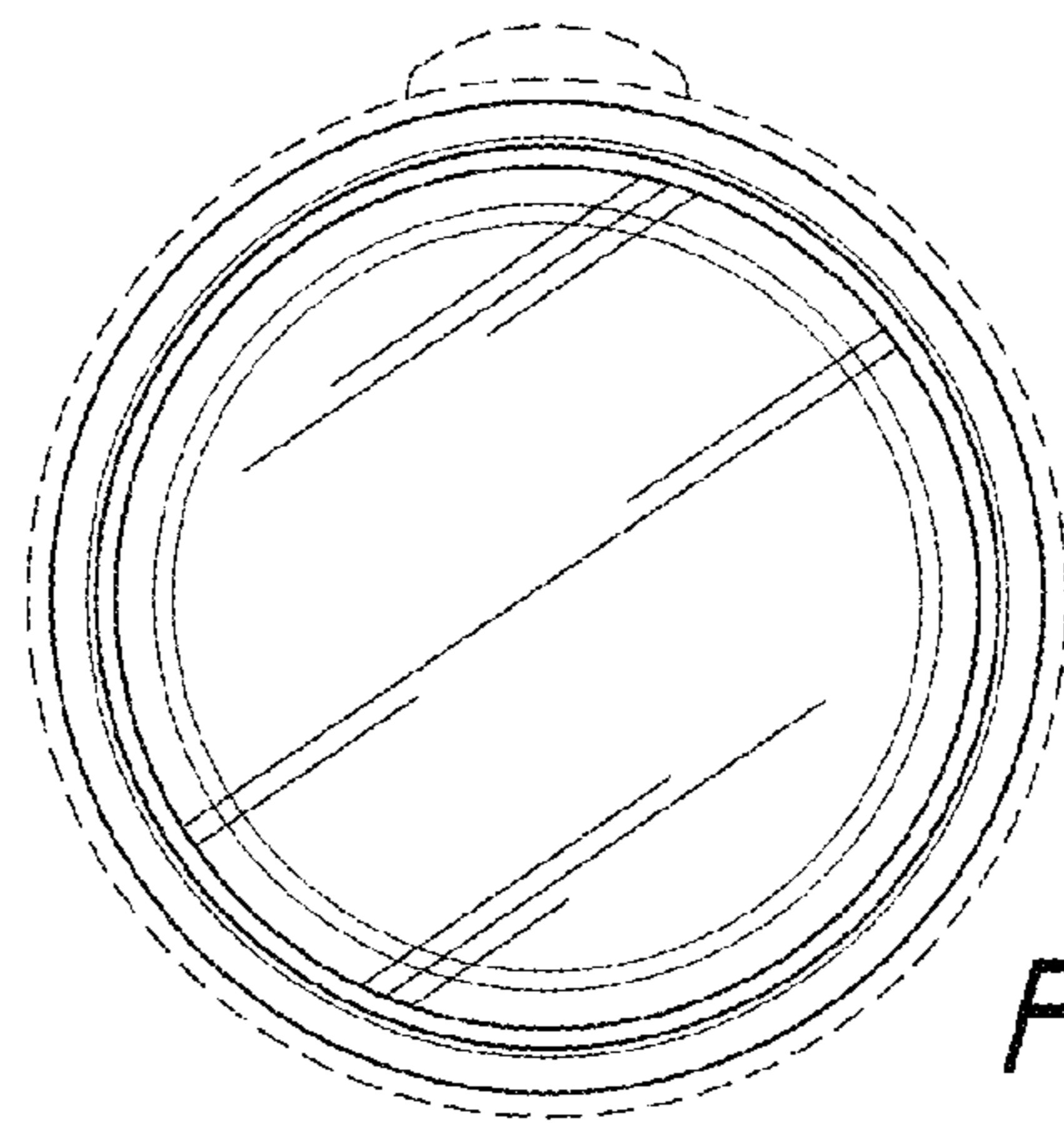


FIG. 7