



US00D713685S

(12) **United States Design Patent**  
**Eyal**

(10) **Patent No.:** **US D713,685 S**  
(45) **Date of Patent:** **\*\* Sep. 23, 2014**

- (54) **BEVERAGE CONTAINER**
- (71) Applicant: **Sharon Eyal**, Oxnard, CA (US)
- (72) Inventor: **Sharon Eyal**, Oxnard, CA (US)
- (73) Assignee: **ETS Express, Inc.**, Oxnard, CA (US)
- (\*\*) Term: **14 Years**
- (21) Appl. No.: **29/447,943**
- (22) Filed: **Mar. 7, 2013**
- (51) **LOC (10) Cl.** ..... **07-01**
- (52) **U.S. Cl.**  
USPC ..... **D7/507**
- (58) **Field of Classification Search**  
USPC ..... D7/300, 300.1, 312, 316, 317, 318, 319,  
D7/391, 392, 392.1, 396.2, 507, 509, 510,  
D7/511, 523, 591, 598, 600, 608, 629;  
D9/434, 435, 440, 444, 445, 447, 449,  
D9/450, 454, 500, 502, 503, 504, 505, 538,  
D9/539, 542; D10/46.2; D23/209, 212;  
D24/121, 197, 224; 68/150; 99/279,  
99/322, 323.3; 206/217; 210/155, 266,  
210/282, 469, 477, 495; 215/6, 12.1, 200,  
215/211, 224, 228, 243, 371, 379, 382,  
215/386; 220/243, 254.7, 269, 270, 271,  
220/495.03, 700, 701, 703, 711, 713-715,  
220/719; 221/96; 222/23, 494  
See application file for complete search history.

D531,445 S *	11/2006	Bodum	.....	D7/312
D536,205 S *	2/2007	Jensen et al.	.....	D7/316
D618,964 S *	7/2010	Eisenhardt	.....	D7/523
D621,660 S *	8/2010	Smiedt et al.	.....	D7/510
D643,245 S *	8/2011	Minarsch	.....	D7/392.1
D644,060 S *	8/2011	Komeiji	.....	D7/392.1
D691,416 S *	10/2013	Eyal	.....	D7/396.2

**FOREIGN PATENT DOCUMENTS**

KR 300677647 \* 1/2013

\* cited by examiner

*Primary Examiner* — Susan Bennett Hattan

*Assistant Examiner* — Leanne Was

(74) *Attorney, Agent, or Firm* — Kleinberg & Lerner, LLP;  
Marvin H. Kleinberg; Marshall A. Lerner

(57) **CLAIM**

The ornamental design for a beverage container, as shown and described.

**DESCRIPTION**

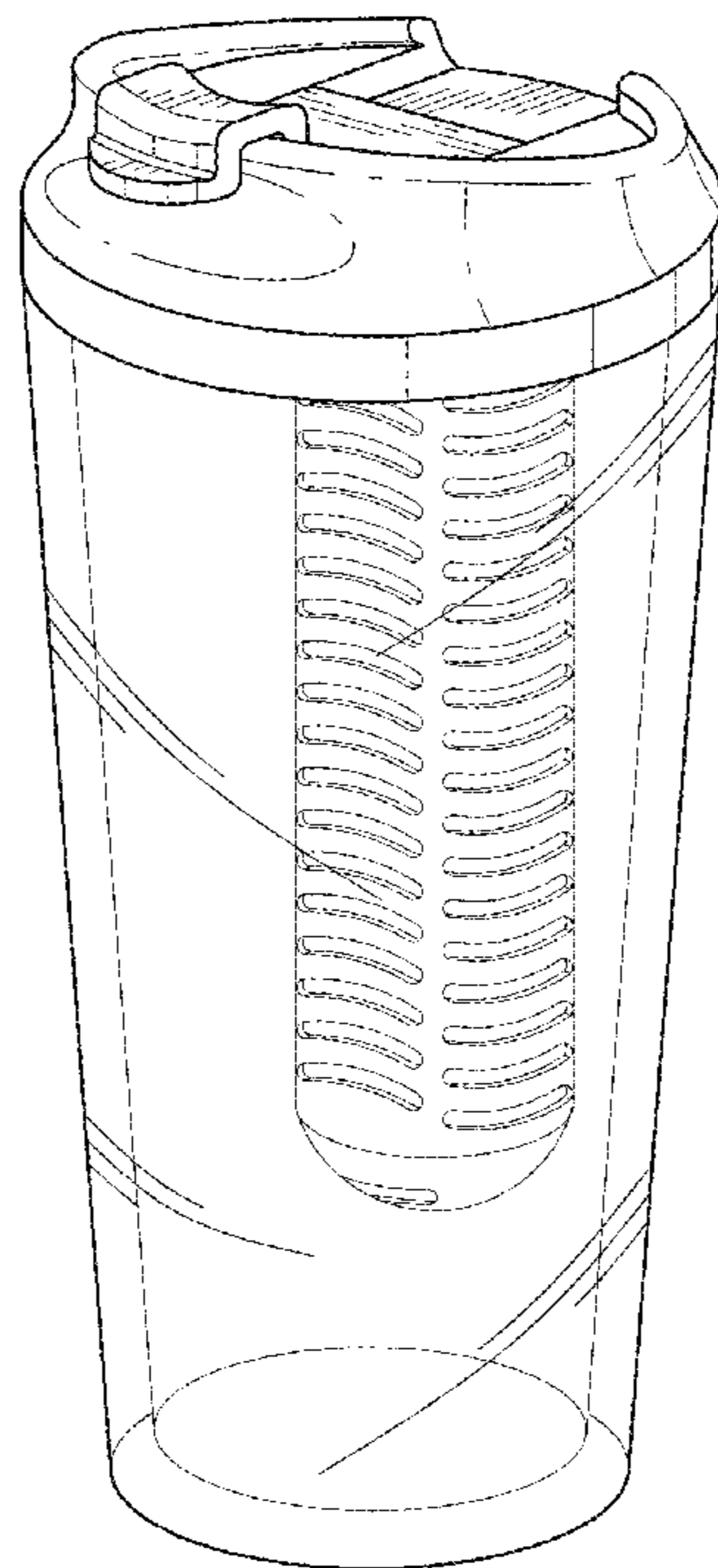
FIG. 1 is a perspective view of a beverage container showing my new design;  
FIG. 2 is a front view thereof;  
FIG. 3 is a left side view of the beverage container of FIG. 1;  
FIG. 4 is a right side view thereof;  
FIG. 5 is a rear view thereof;  
FIG. 6 is a top plan view thereof; and,  
FIG. 7 is a bottom plan view thereof.

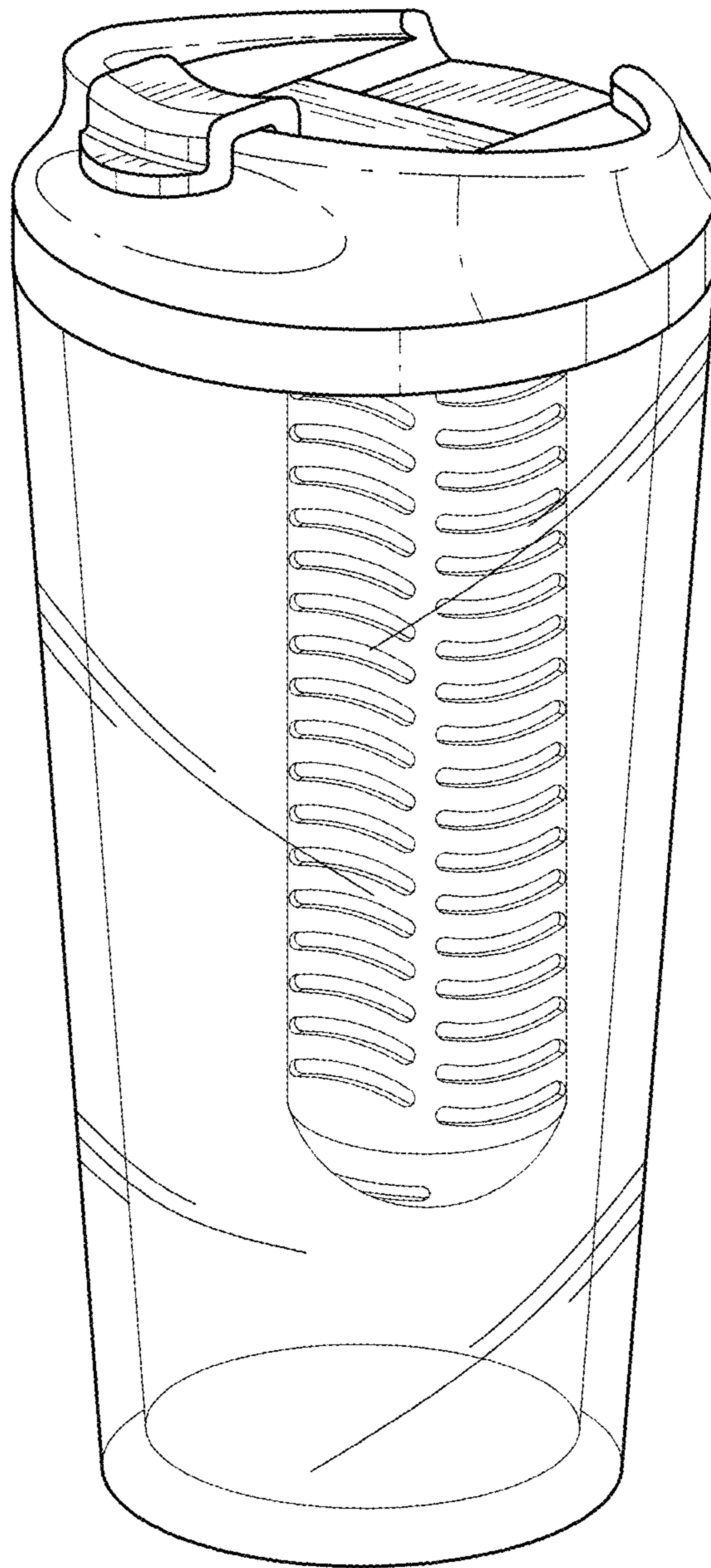
(56) **References Cited**

**U.S. PATENT DOCUMENTS**

D219,898 S *	2/1971	Buckley	.....	D7/300.1
6,193,886 B1 *	2/2001	Nohren, Jr.	.....	210/282
6,197,193 B1 *	3/2001	Archer	.....	210/266

**1 Claim, 4 Drawing Sheets**





*FIG. 1*

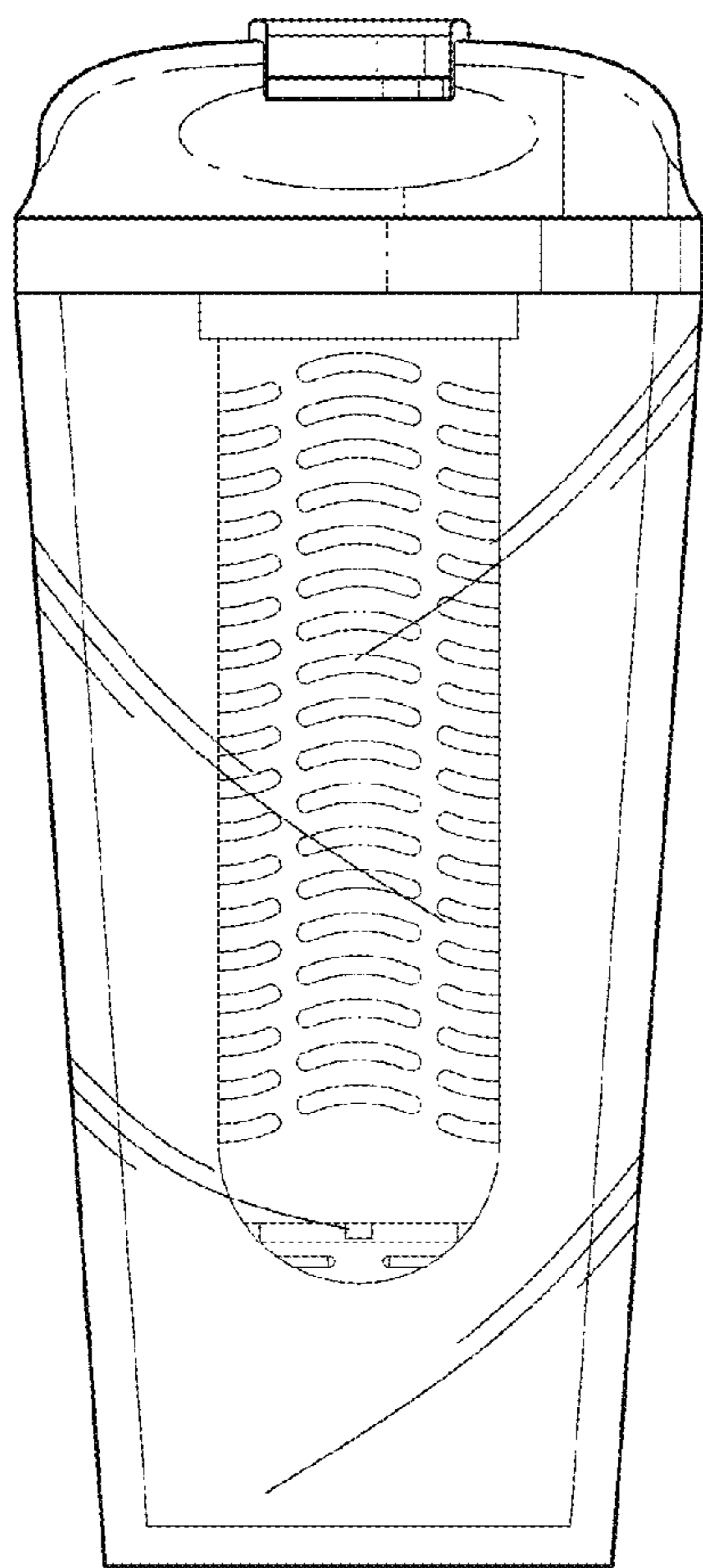


FIG. 2

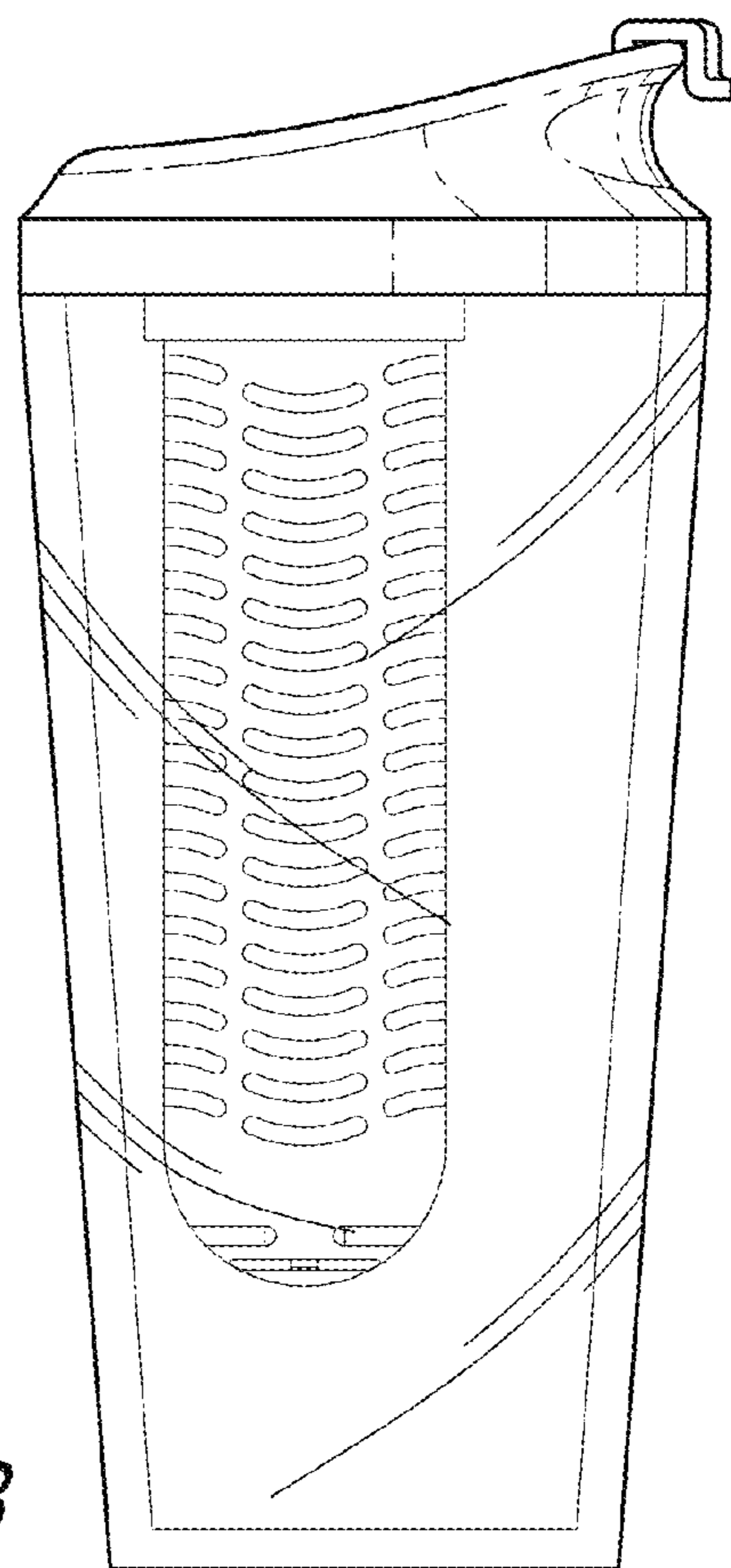


FIG. 3

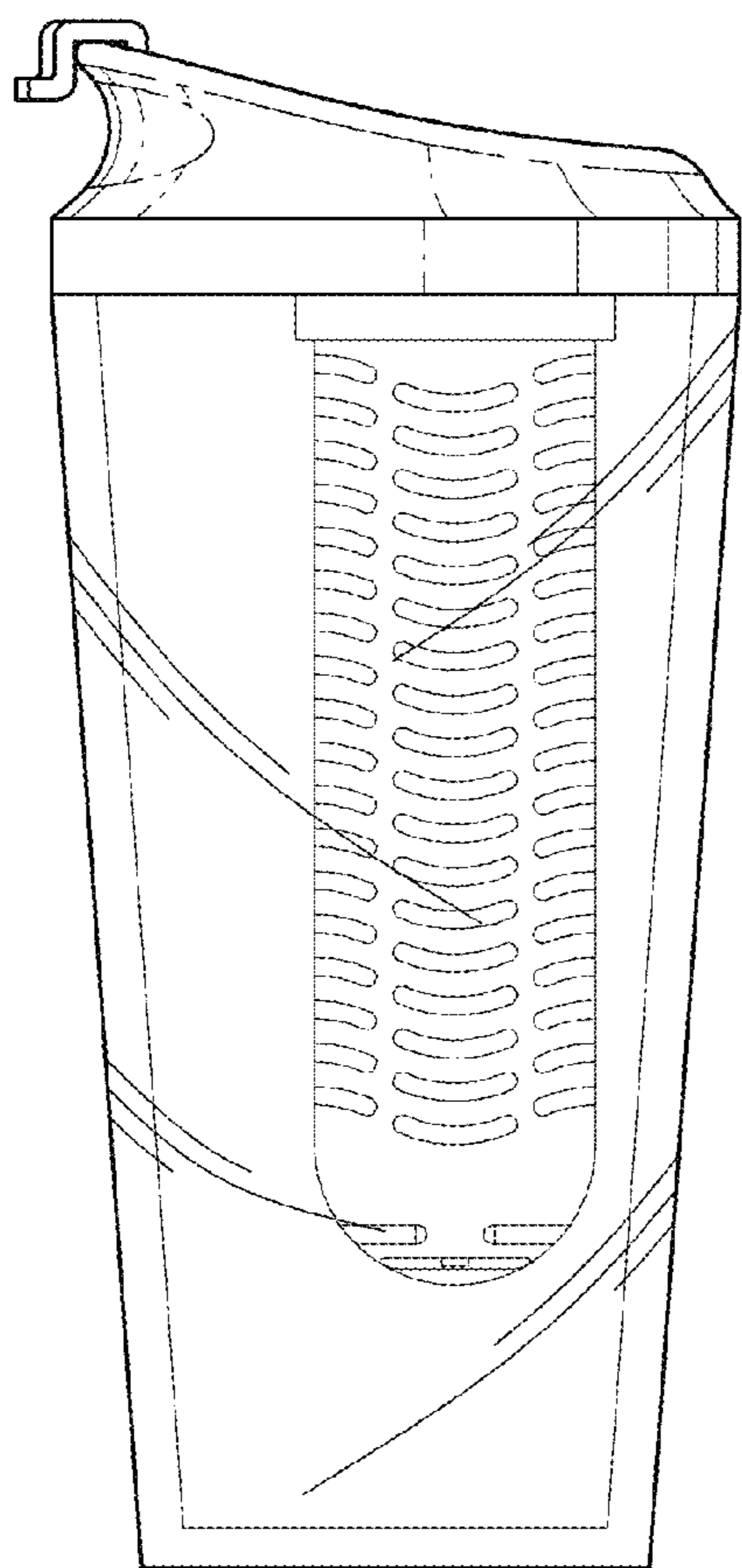


FIG. 4

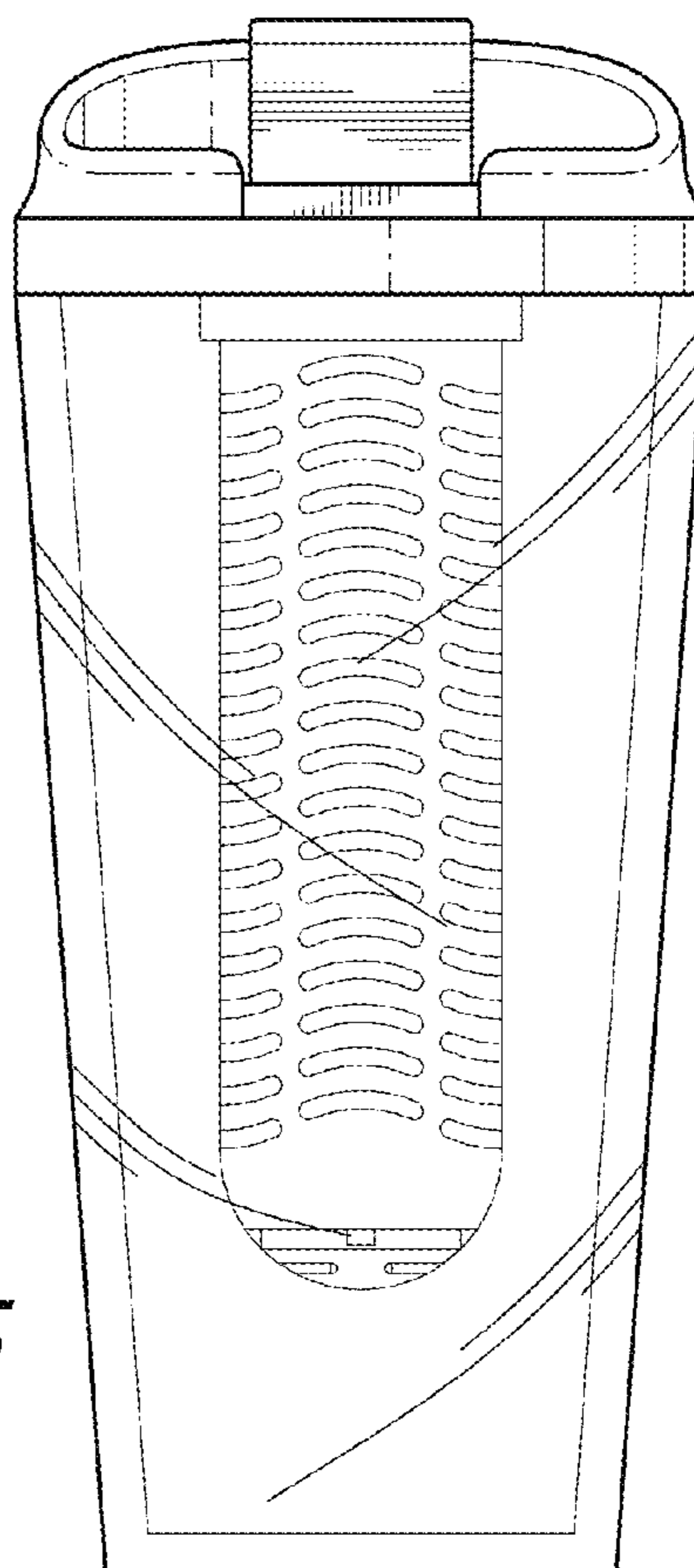
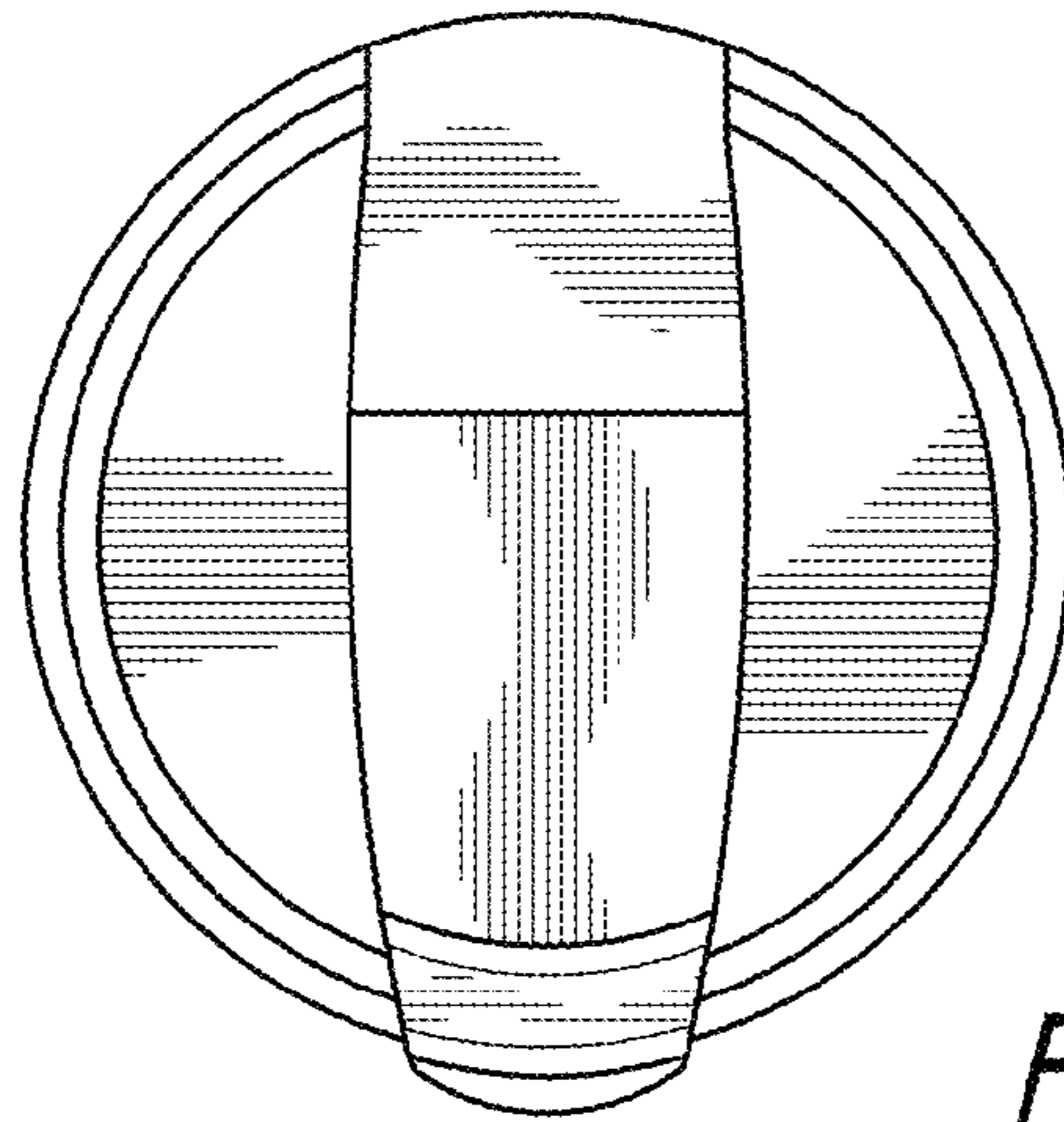
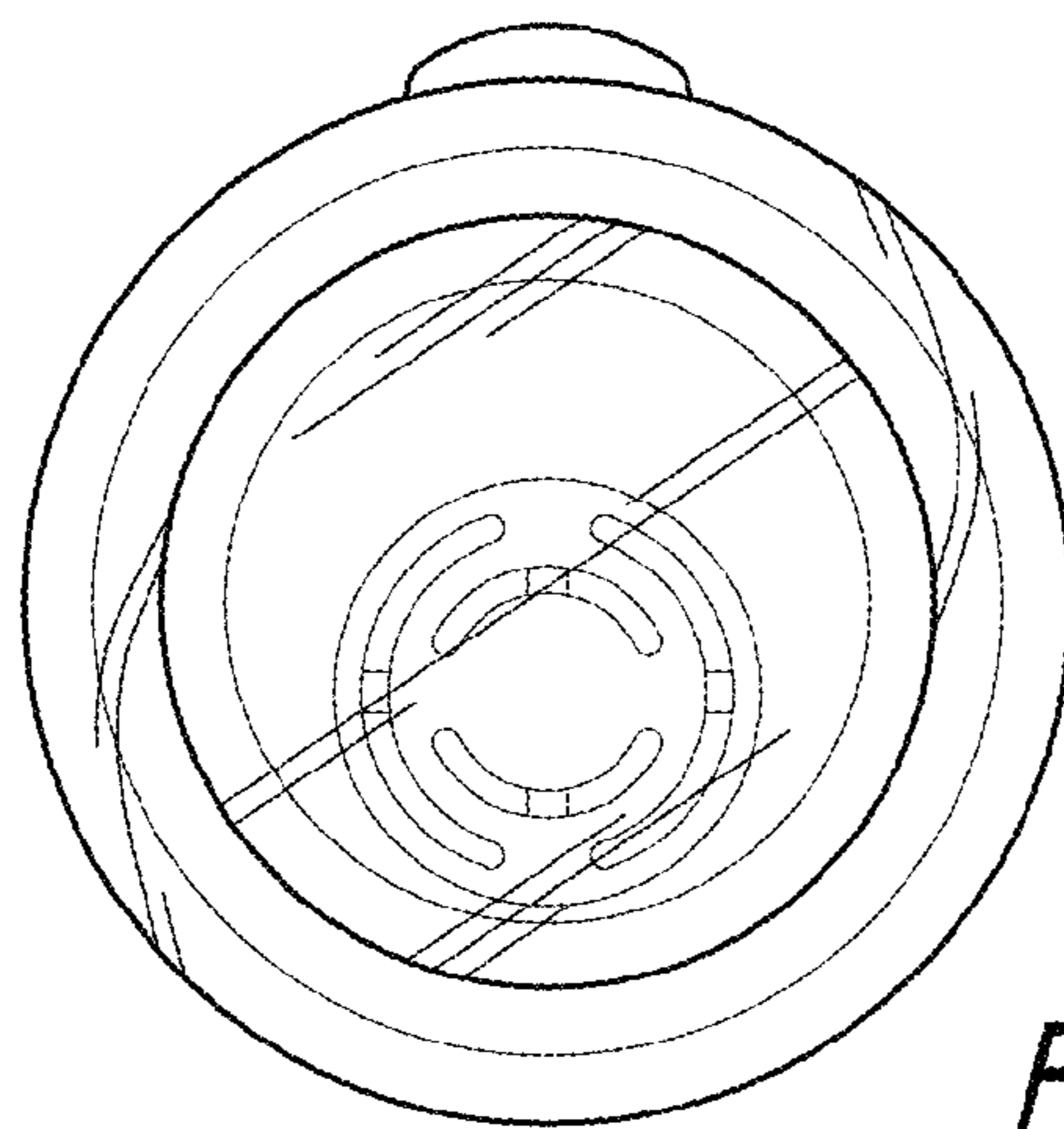


FIG. 5



*FIG. 6*



*FIG. 7*