



US00D713681S

(12) **United States Design Patent**
Rae

(10) **Patent No.:** **US D713,681 S**
(45) **Date of Patent:** **** Sep. 23, 2014**

(54) **ELONGATED SIDE HANDLE FOR COOKWARE**

(71) Applicant: **Meyer Intellectual Properties Ltd.,**
Kowloon (HK)

(72) Inventor: **Robert A. Rae,** Las Vegas, NV (US)

(73) Assignee: **Meyer Intellectual Properties Limited**
(VG)

(**) Term: **14 Years**

(21) Appl. No.: **29/477,734**

(22) Filed: **Dec. 26, 2013**

Related U.S. Application Data

(62) Division of application No. 29/444,951, filed on Feb. 6, 2013, now Pat. No. Des. 696,902.

(51) **LOC (10) Cl.** **07-02**

(52) **U.S. Cl.**
USPC **D7/395**

(58) **Field of Classification Search**
USPC D7/354-361, 393-395, 401.2, 664;
D8/107, 300, 303, 307, 313, 321;
D4/138, 129; 16/421, 430, 431, 110.1,
16/407; 220/573.1-573.5, 752, 753, 755,
220/756, 759, 767, 771, 912
See application file for complete search history.

(56) **References Cited**

U.S. PATENT DOCUMENTS

293,752	A *	2/1884	Krahenbeihl et al.	...	16/DIG. 12
D100,267	S *	7/1936	Janneli	D7/395
4,197,611	A *	4/1980	Bell et al.	220/753
D258,861	S *	4/1981	Bratton et al.	D7/387
D348,799	S *	7/1994	Munari	D7/395
D360,346	S *	7/1995	Huttner	D8/321

5,664,520	A *	9/1997	Latimer, III	16/421
D394,783	S *	6/1998	Ancona et al.	D7/395
D414,610	S *	10/1999	Davila	D4/138
D524,098	S *	7/2006	Minutillo et al.	D7/395
D630,888	S *	1/2011	Bodum	D7/395
D643,680	S *	8/2011	Bodum	D7/395

* cited by examiner

Primary Examiner — Cynthia M Chin

(74) *Attorney, Agent, or Firm* — Edward S. Sherman

(57) **CLAIM**

The ornamental design for an elongated side handle for cookware, as shown and described.

DESCRIPTION

FIG. 1 is a perspective view of a first embodiment of the elongated side handle for cookware showing my new design; FIG. 2 is a right side elevation view thereof; the left side elevation view being the mirror image thereof; FIG. 3 is a top plan view thereof; FIG. 4 is a bottom plan view thereof; FIG. 5 is a front elevation view thereof; FIG. 6 is a rear elevation view thereof; FIG. 7 is a cross-sectional elevation view thereof, taken from line 7-7 of FIG. 3.

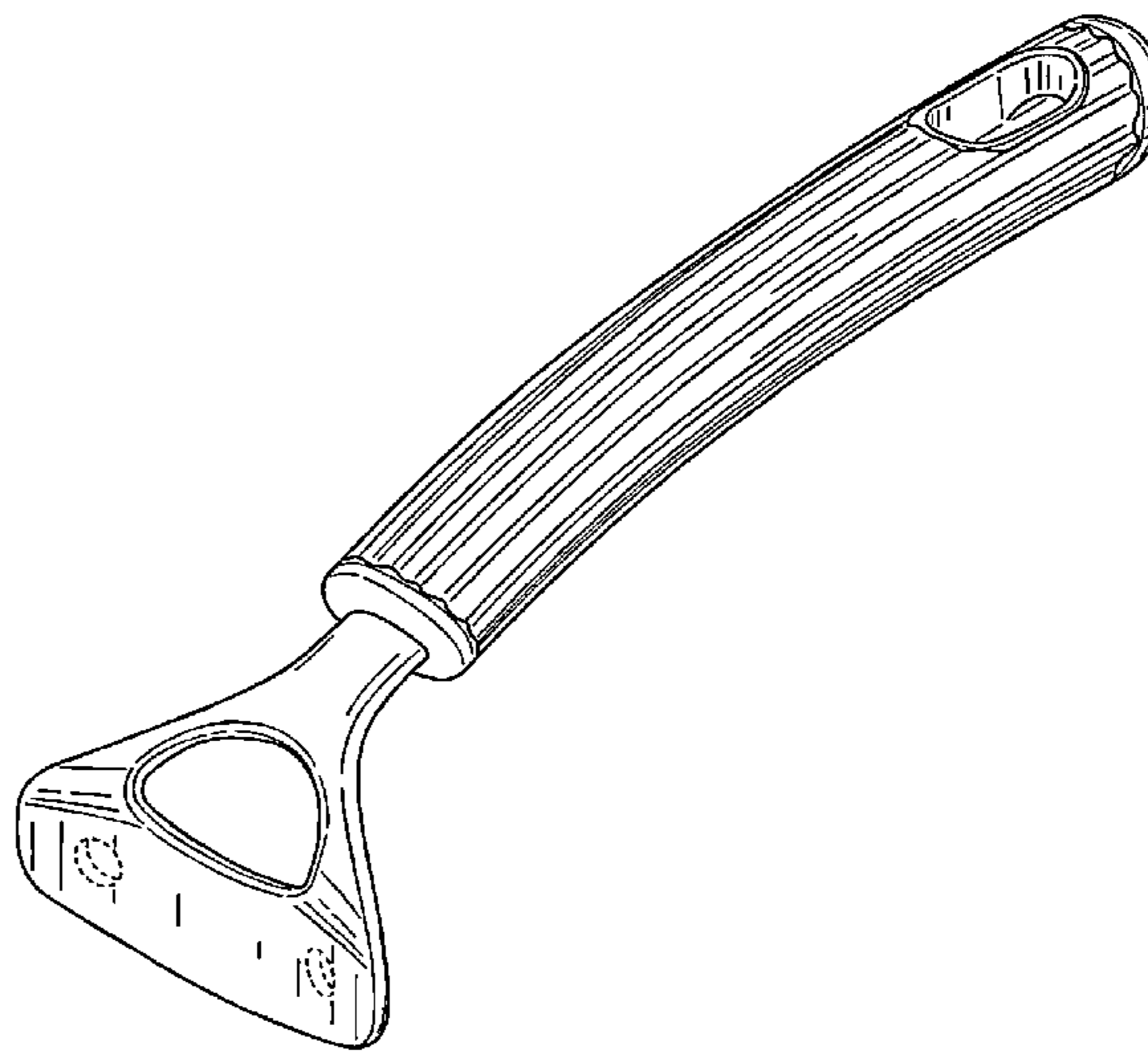
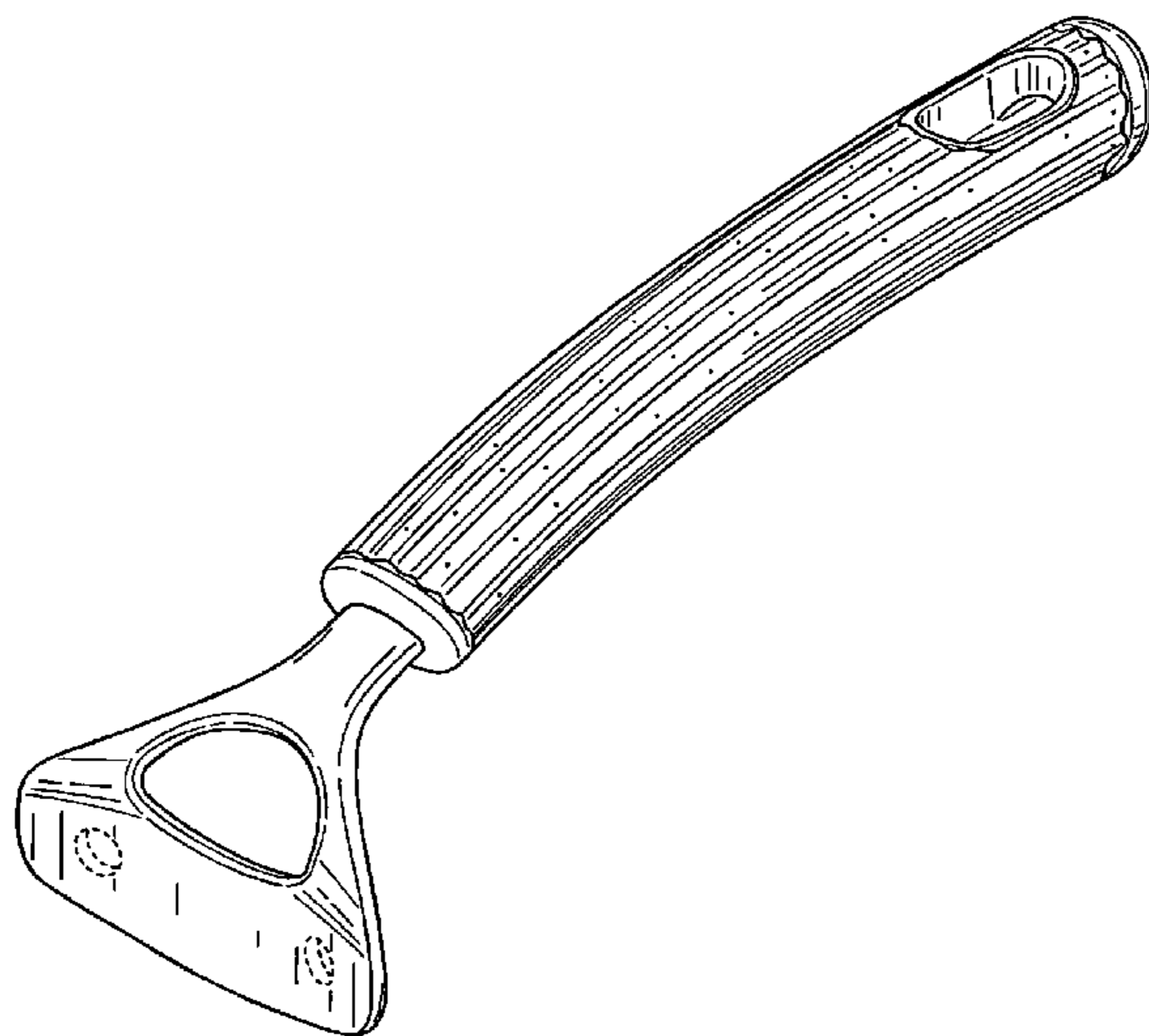
FIG. 8 is a perspective view of a second embodiment of my new design; FIG. 9 is a right side elevation view thereof; the left side elevation view being the mirror image thereof; FIG. 10 is a top plan view thereof; FIG. 11 is a bottom plan view thereof; FIG. 12 is a front elevation view thereof; FIG. 13 is a rear elevation view thereof; and, FIG. 14 is a cross-sectional elevation view thereof.

The broken lines in FIGS. 1, 2, 5, 6, 7, 8, 9, 12, 13 and 14 are for illustrative purposes only, depicting the environment of the new design, forming no part thereof as claimed.

The stippling in the first embodiment represents a contrasting surface appearance and is not intended to represent color.

The surface curvature in the second embodiment is the same as the first embodiment. The first embodiment has a grip portion with a contrasting surface appearance as illustrated by the use of stippling.

1 Claim, 8 Drawing Sheets



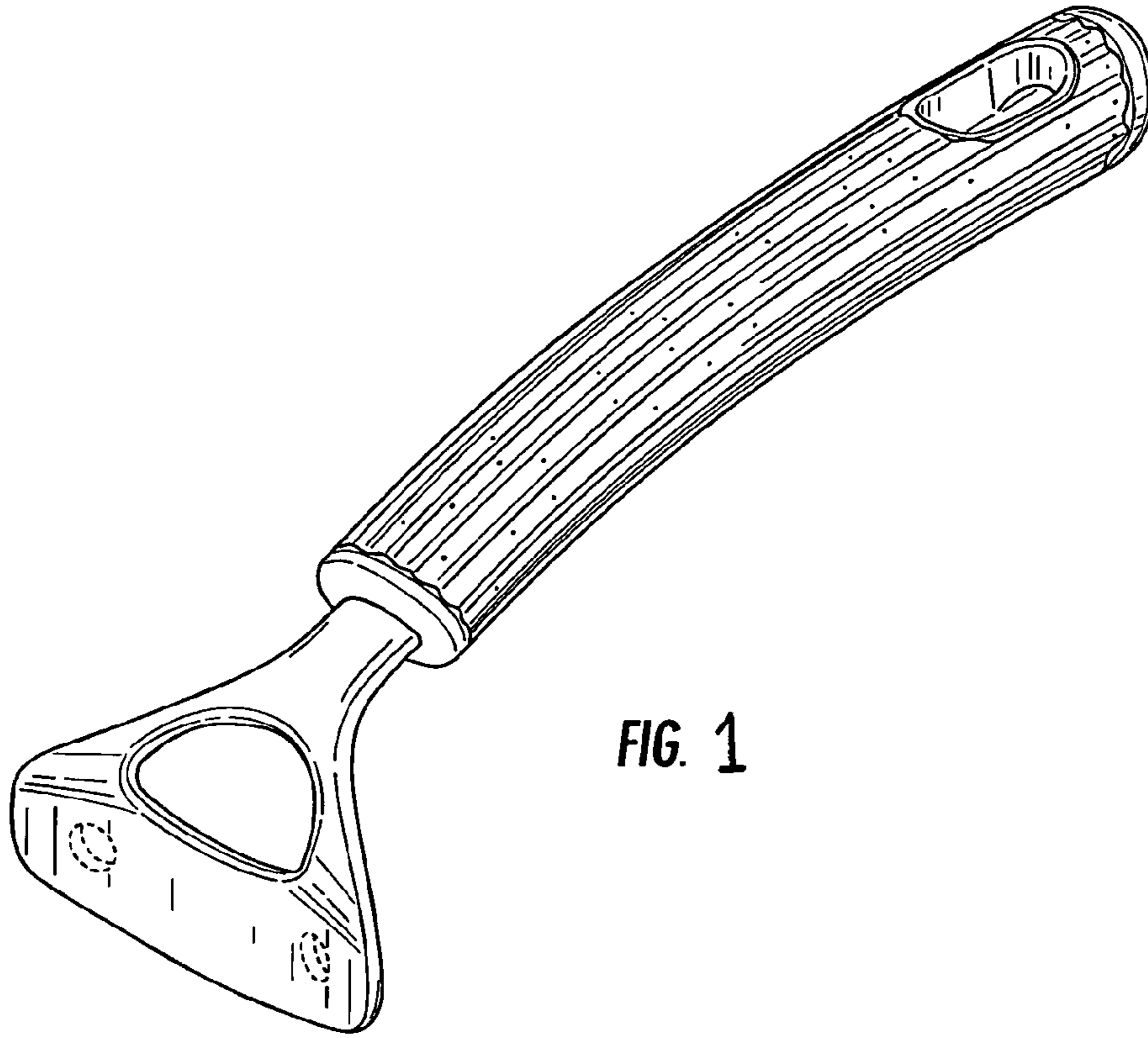


FIG. 1

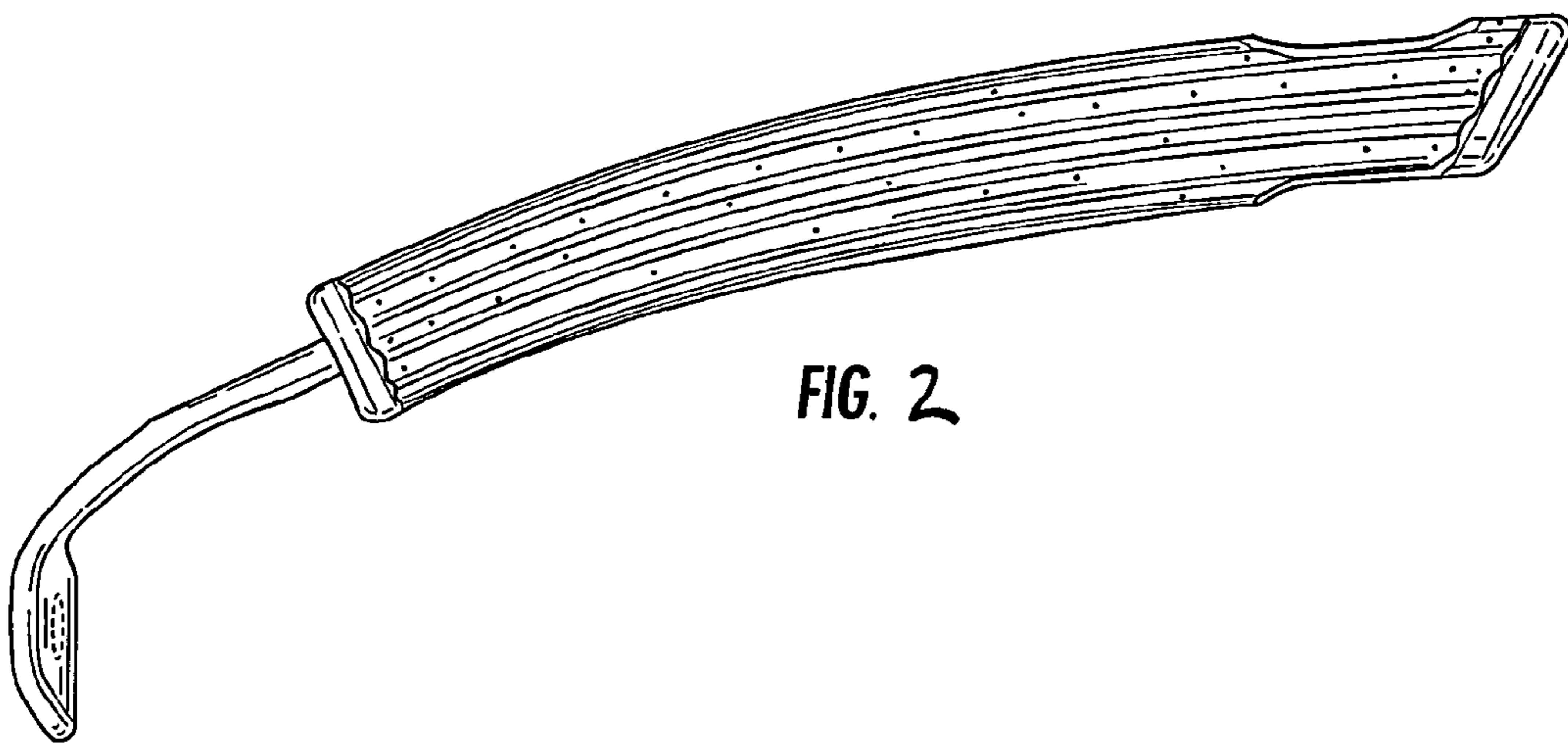
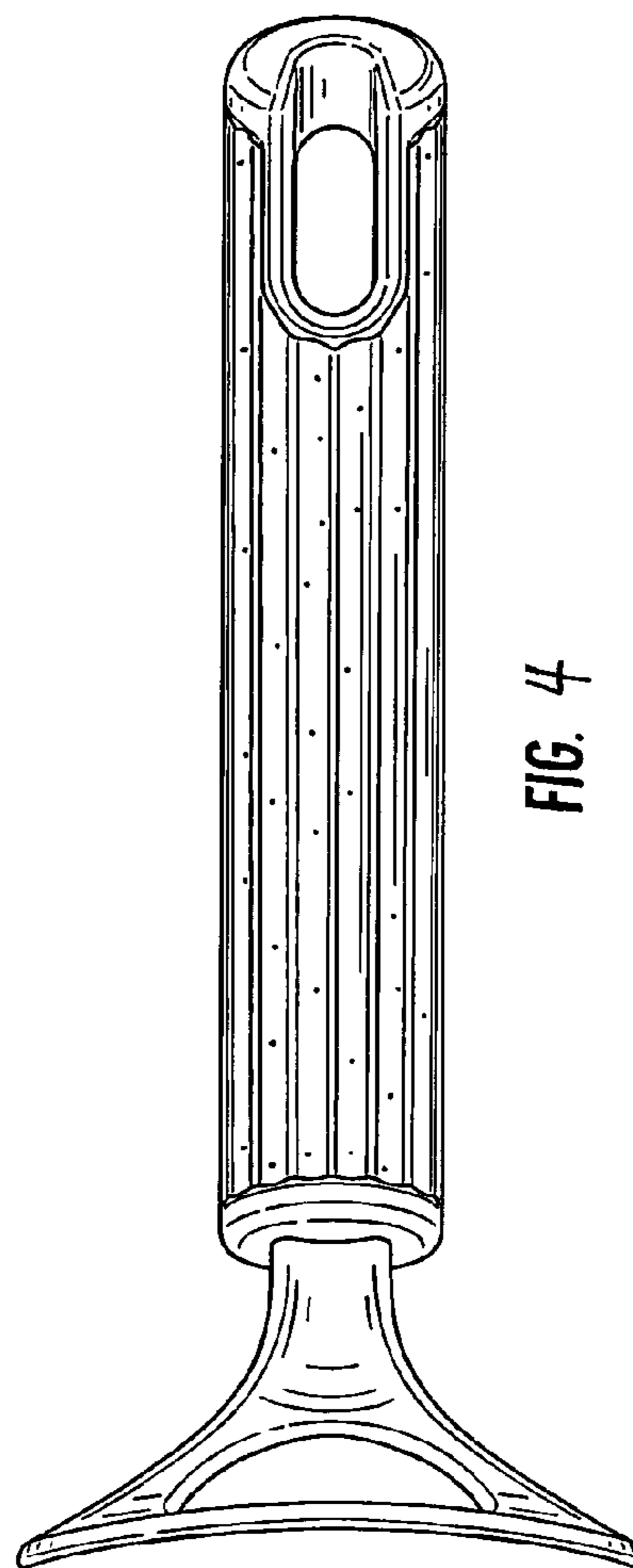
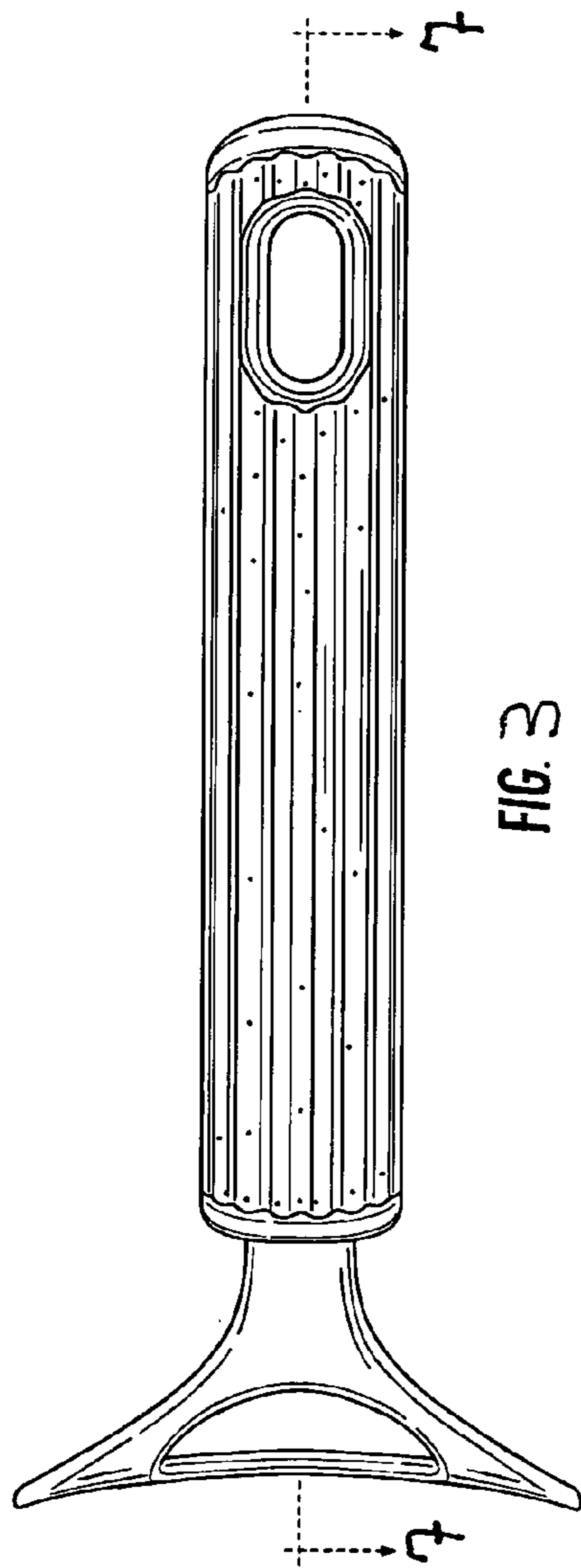


FIG. 2



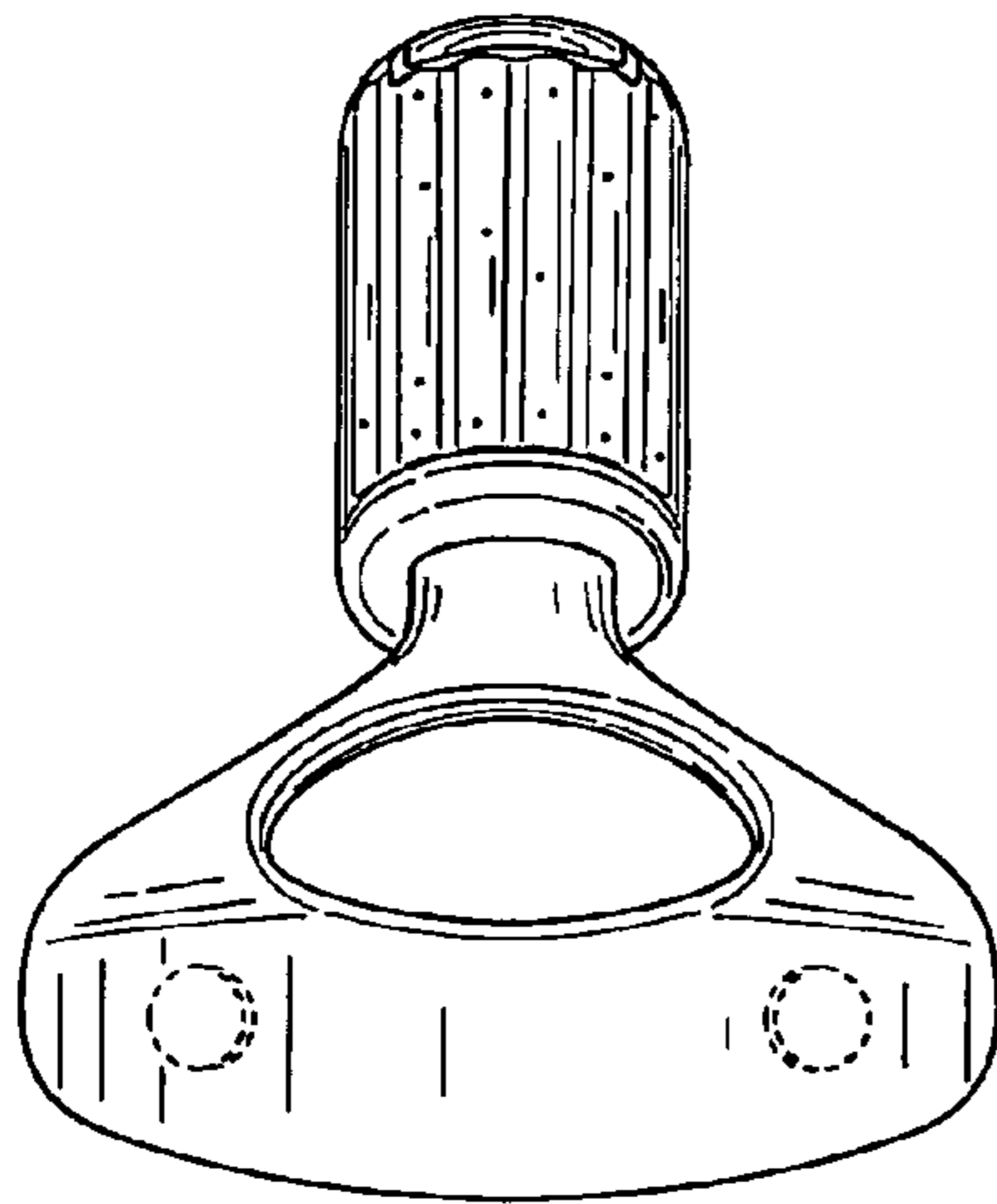


FIG. 5

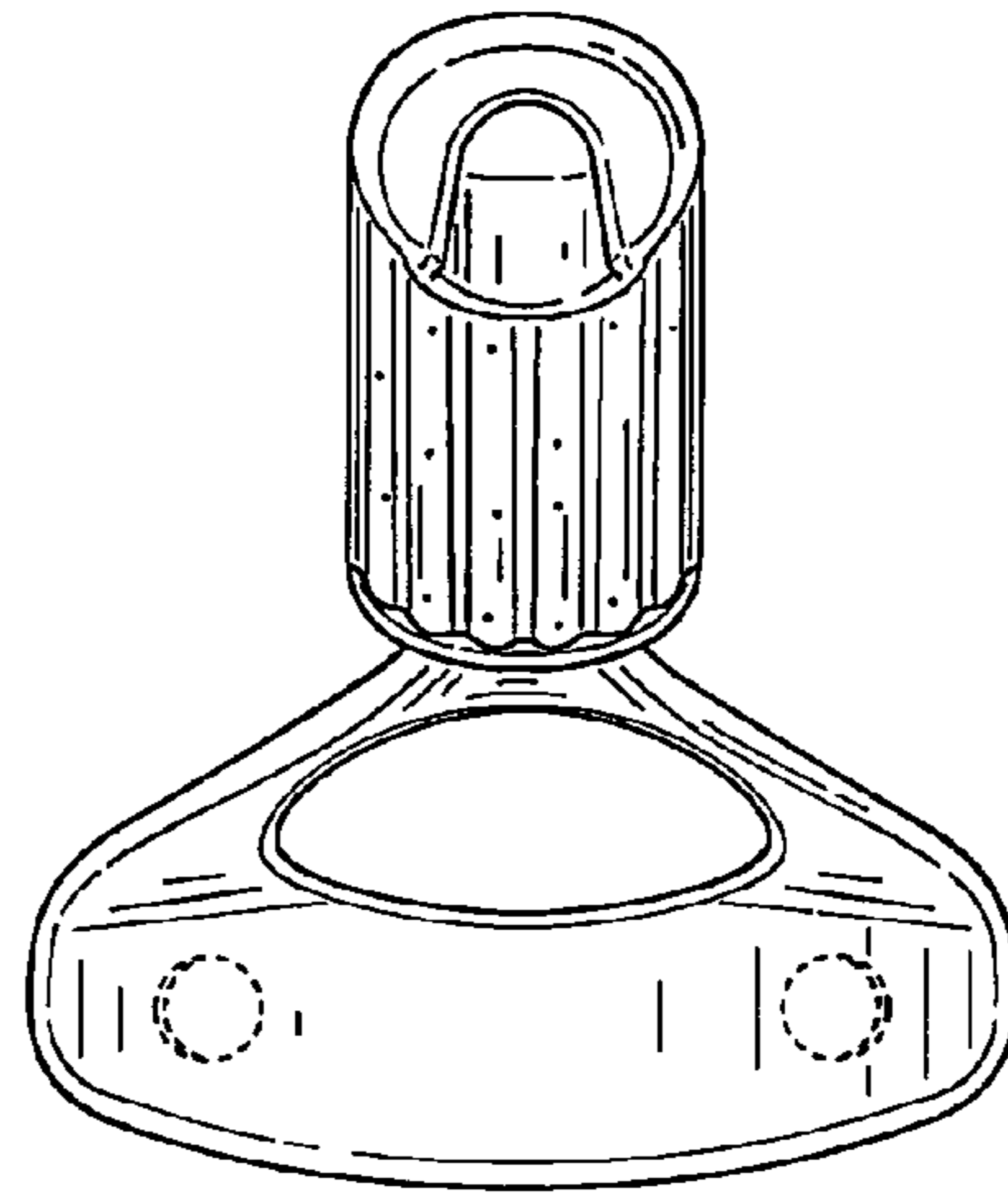


FIG. 6

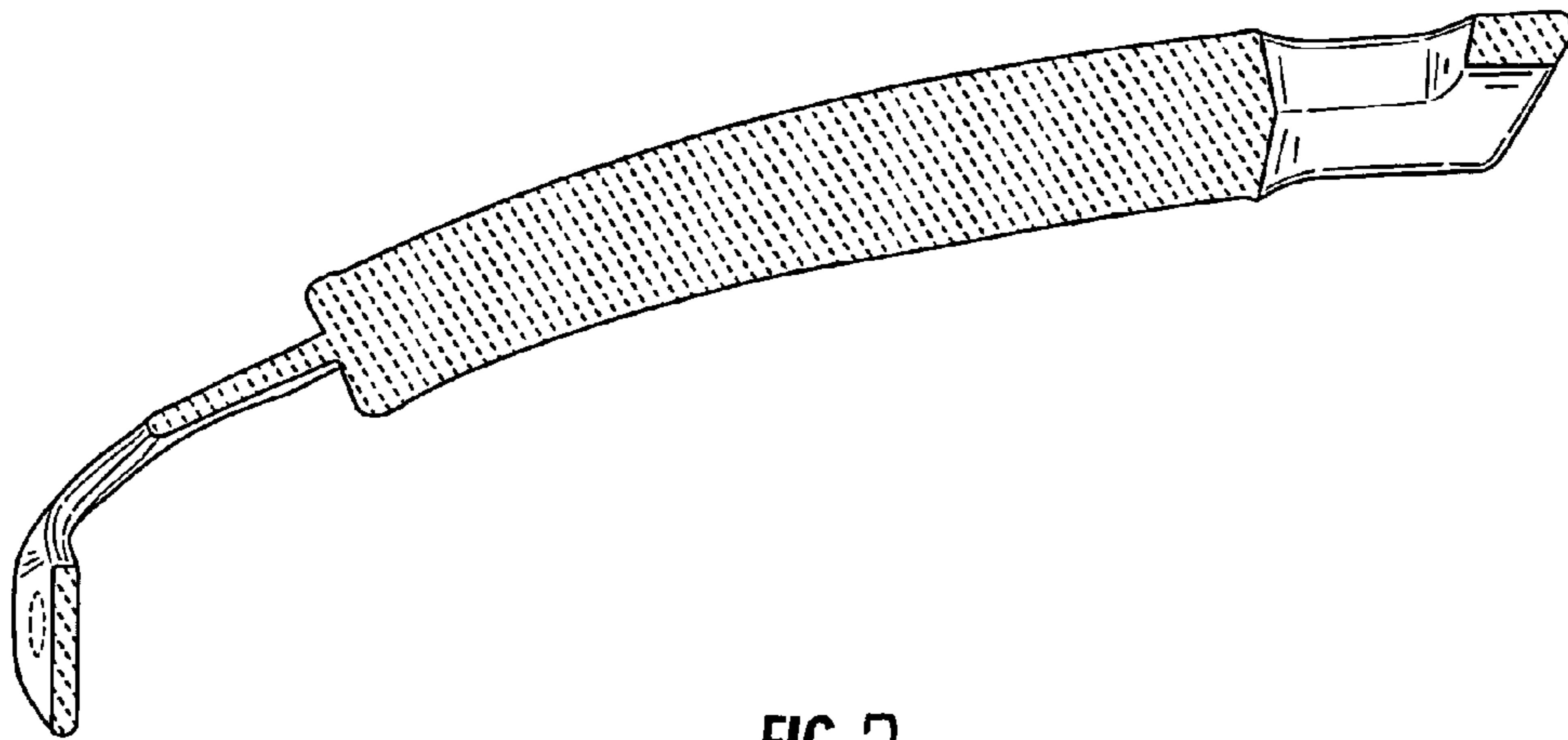


FIG. 7

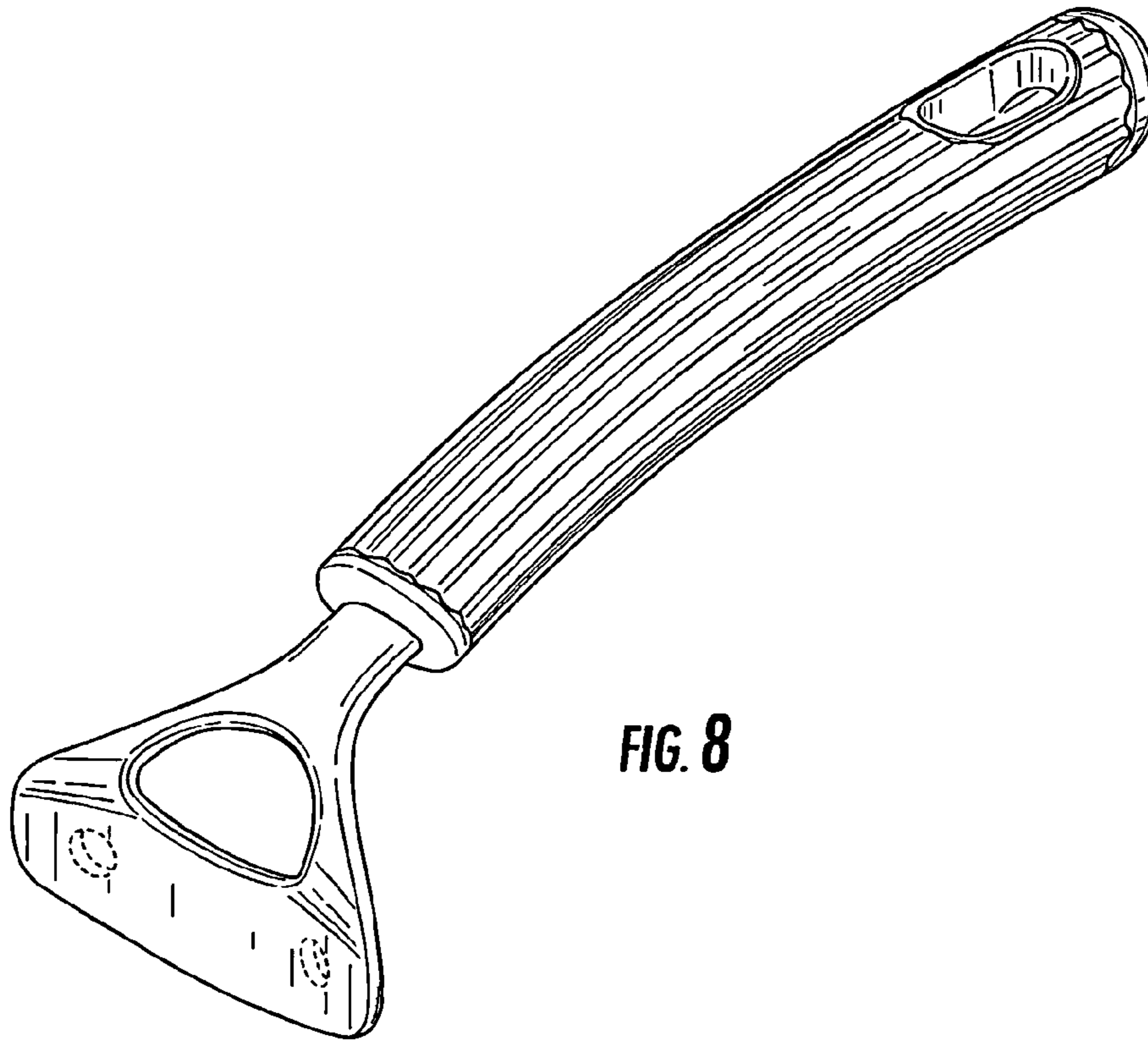


FIG. 8

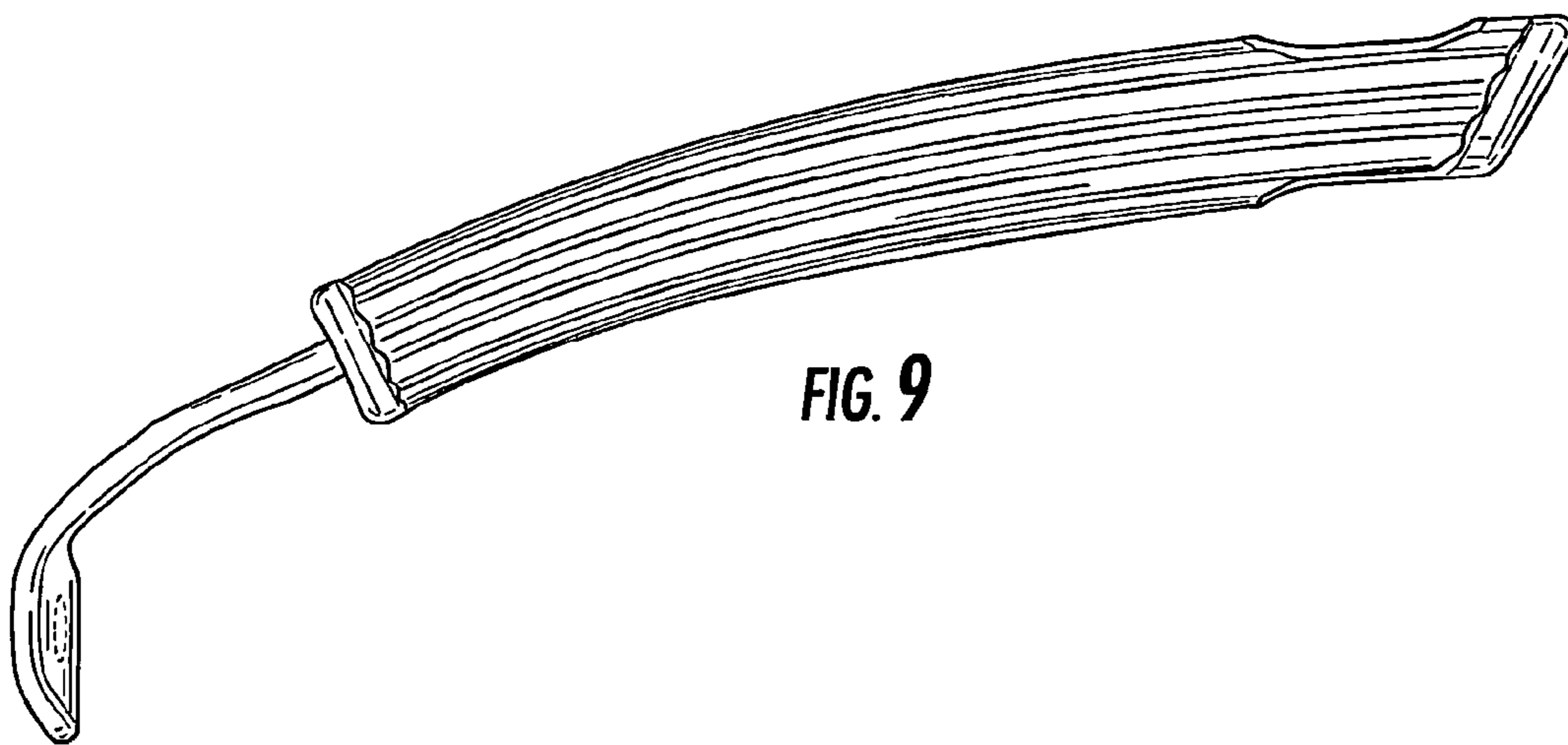


FIG. 9

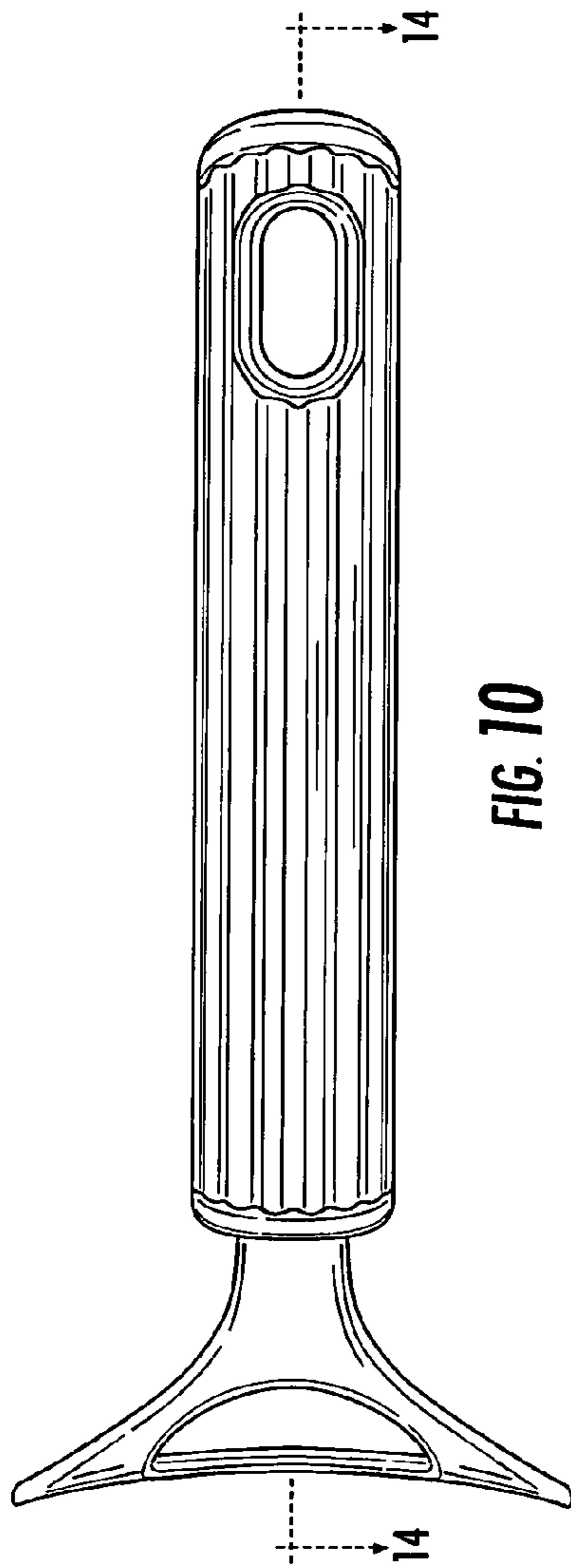


FIG. 10

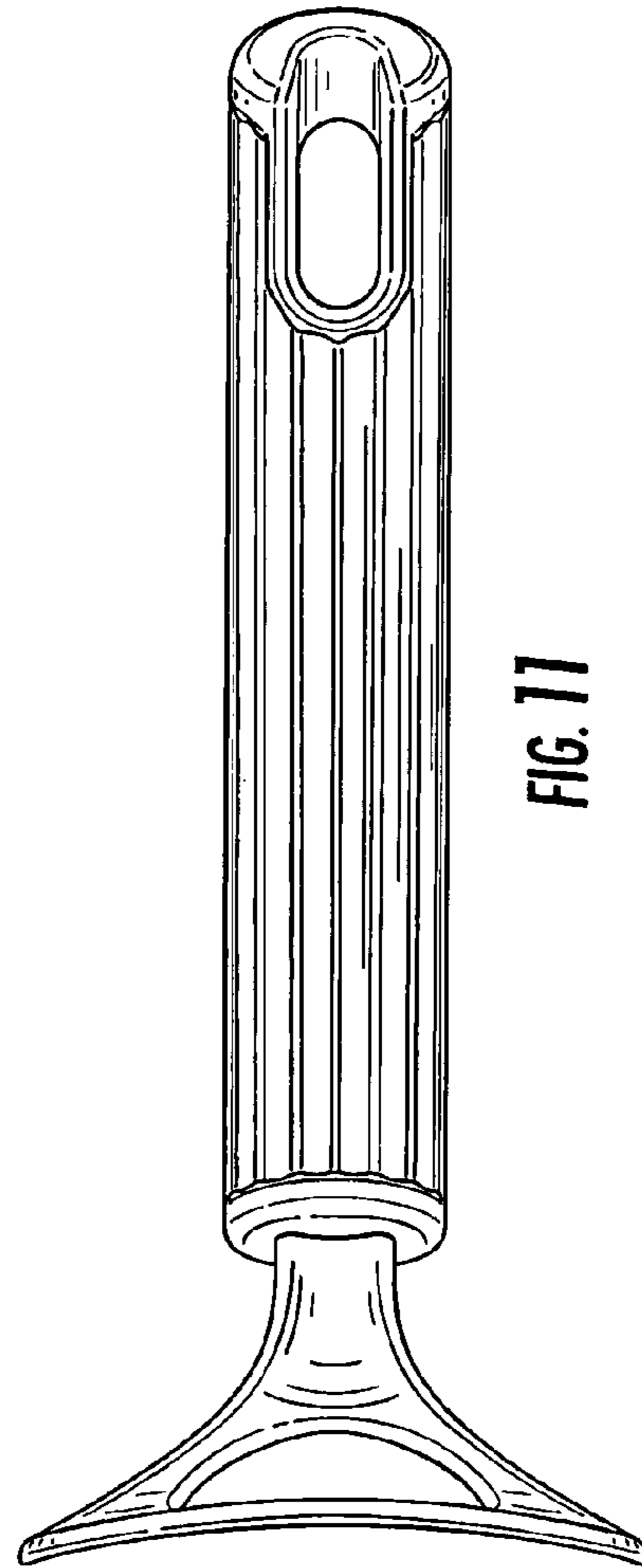


FIG. 11

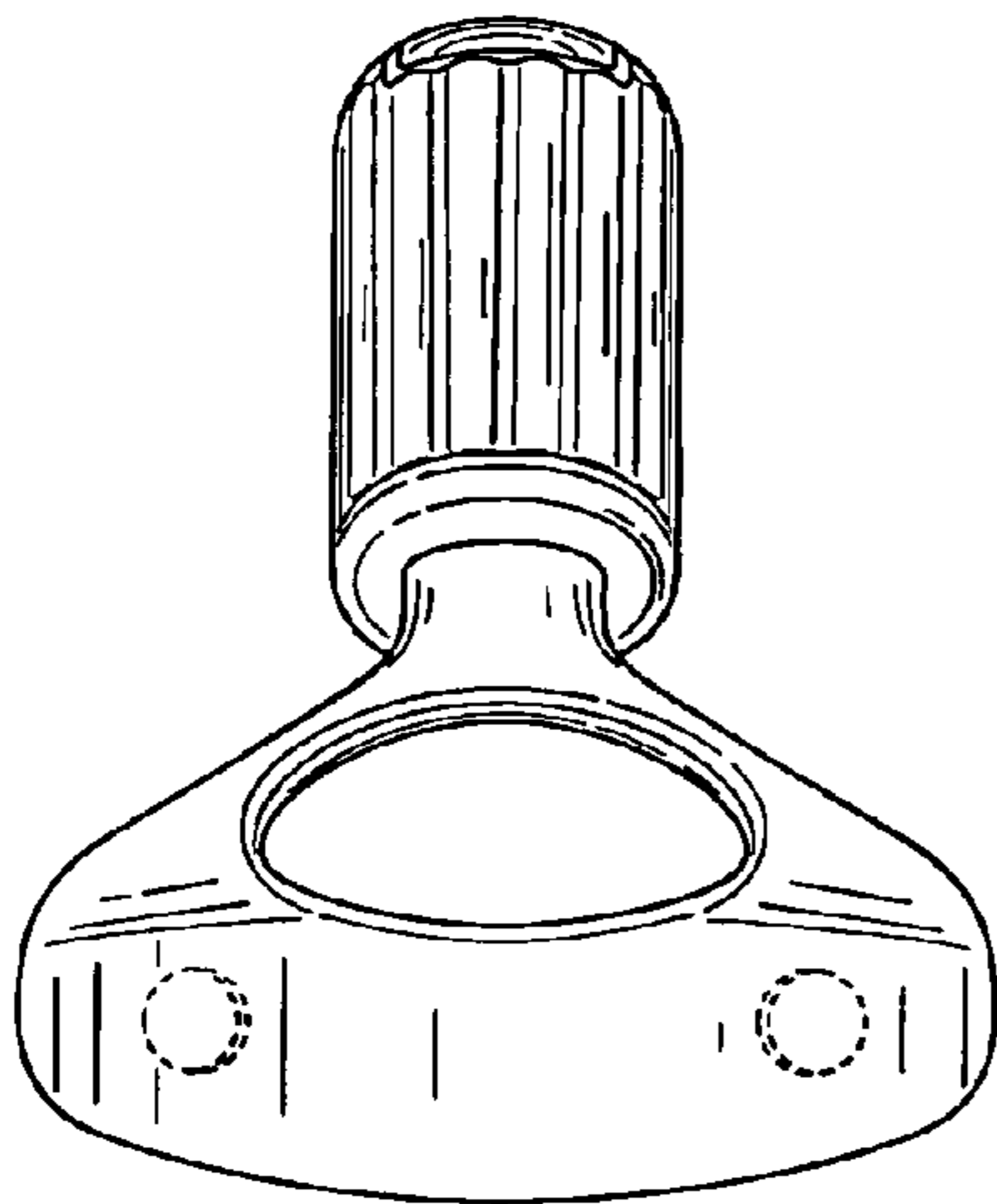


FIG. 12

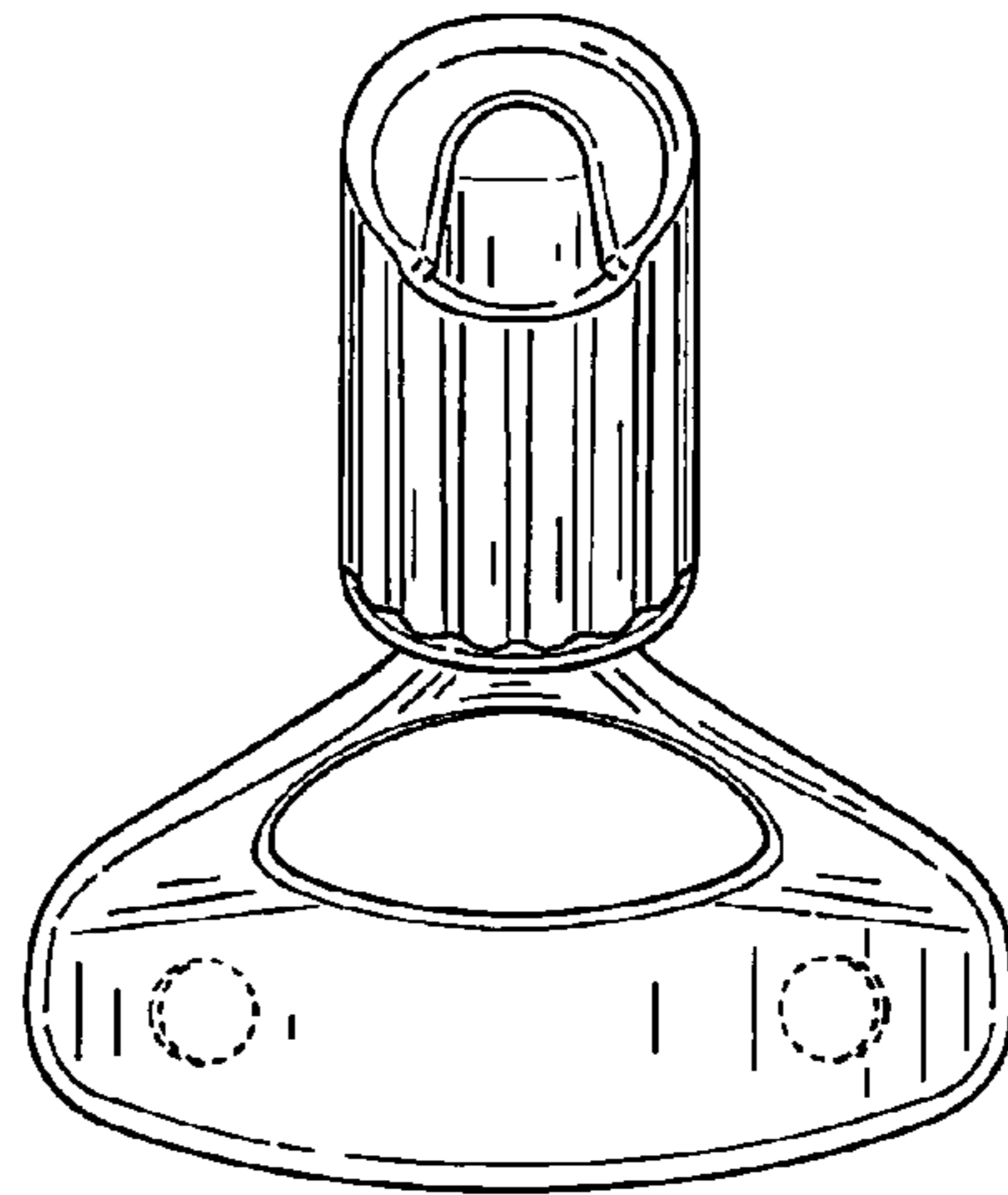


FIG. 13

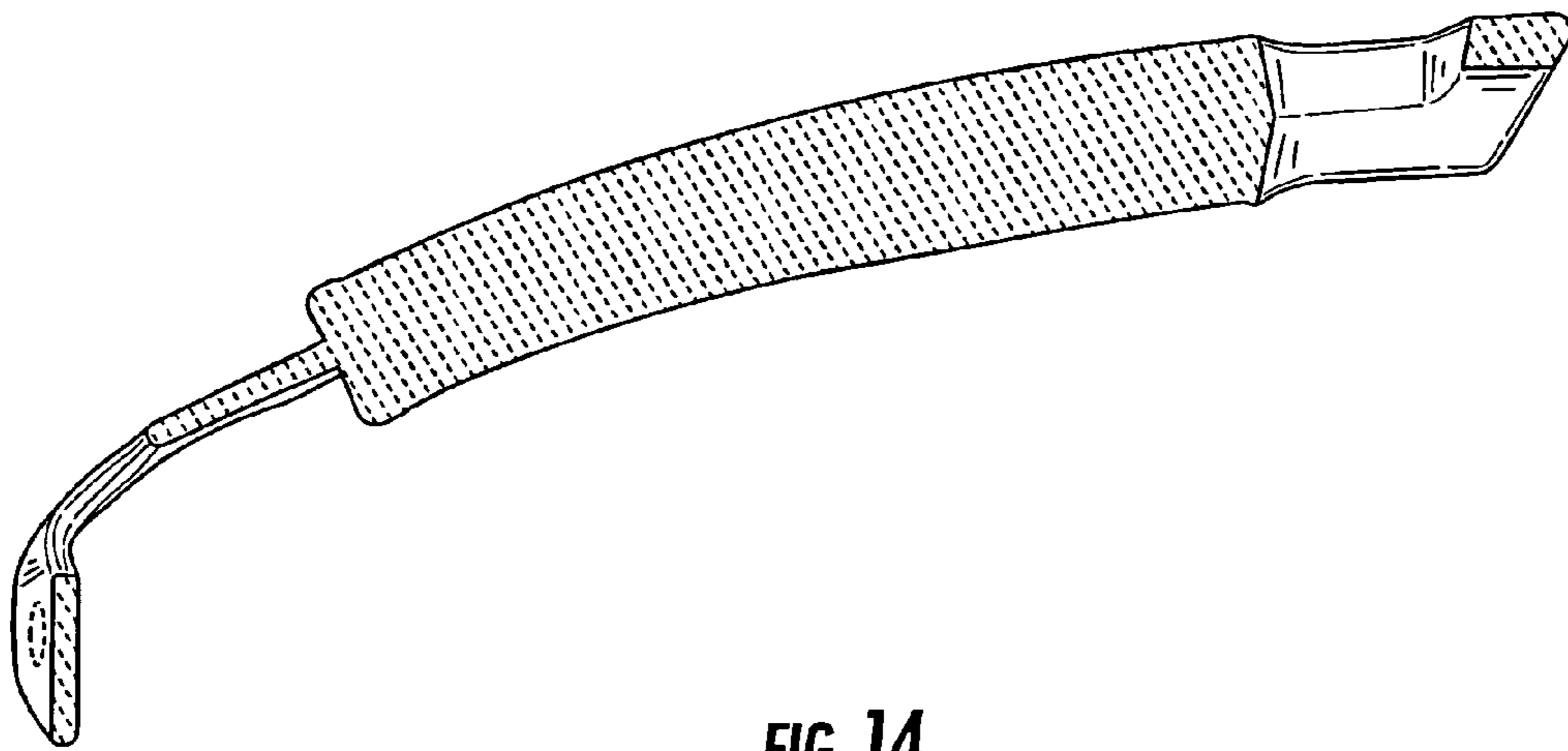


FIG. 14