



US00D713679S

(12) **United States Design Patent**
Rae

(10) **Patent No.:** **US D713,679 S**
(45) **Date of Patent:** **** Sep. 23, 2014**

(54) **ELONGATED SIDE HANDLE FOR COOKWARE**

(71) Applicant: **Meyer Intellectual Properties Ltd.,**
Kowloon (HK)

(72) Inventor: **Robert A. Rae,** Las Vegas, NV (US)

(73) Assignee: **Meyer Intellectual Properties Limited**
(VG)

(**) Term: **14 Years**

(21) Appl. No.: **29/458,570**

(22) Filed: **Jun. 20, 2013**

(51) **LOC (10) Cl.** **07-02**

(52) **U.S. Cl.**
USPC **D7/395**

(58) **Field of Classification Search**
USPC D7/354-361, 393-395, 401.2, 664;
D8/107, 300, 303, 307, 313, 321;
D4/138, 129; 16/421, 430, 431, 110.1,
16/407; 220/573.1-573.5, 752, 753, 755,
220/756, 759, 767, 771, 912
See application file for complete search history.

(56) **References Cited**

U.S. PATENT DOCUMENTS

D560,427 S *	1/2008	Prakasa	D7/395
D582,208 S *	12/2008	Robson	D7/395
D630,056 S *	1/2011	Rae	D7/395
D635,396 S *	4/2011	Rae	D7/395
D672,194 S *	12/2012	Rae	D7/395
D682,026 S *	5/2013	Rae	D7/395

* cited by examiner

Primary Examiner — Cynthia M Chin

(74) *Attorney, Agent, or Firm* — Edward S. Sherman

(57) **CLAIM**

The ornamental design for an elongated side handle for cookware, as shown and described.

DESCRIPTION

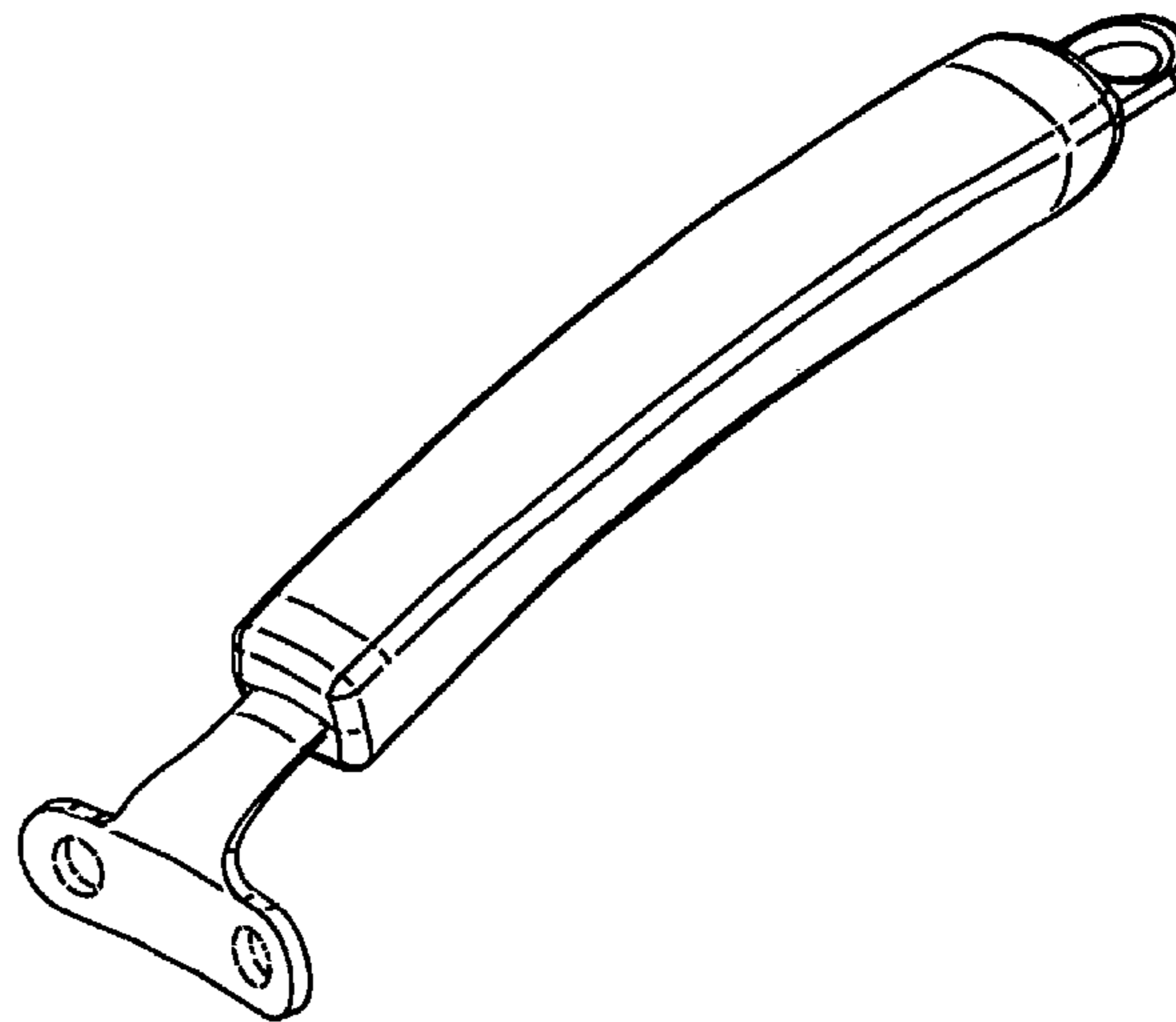
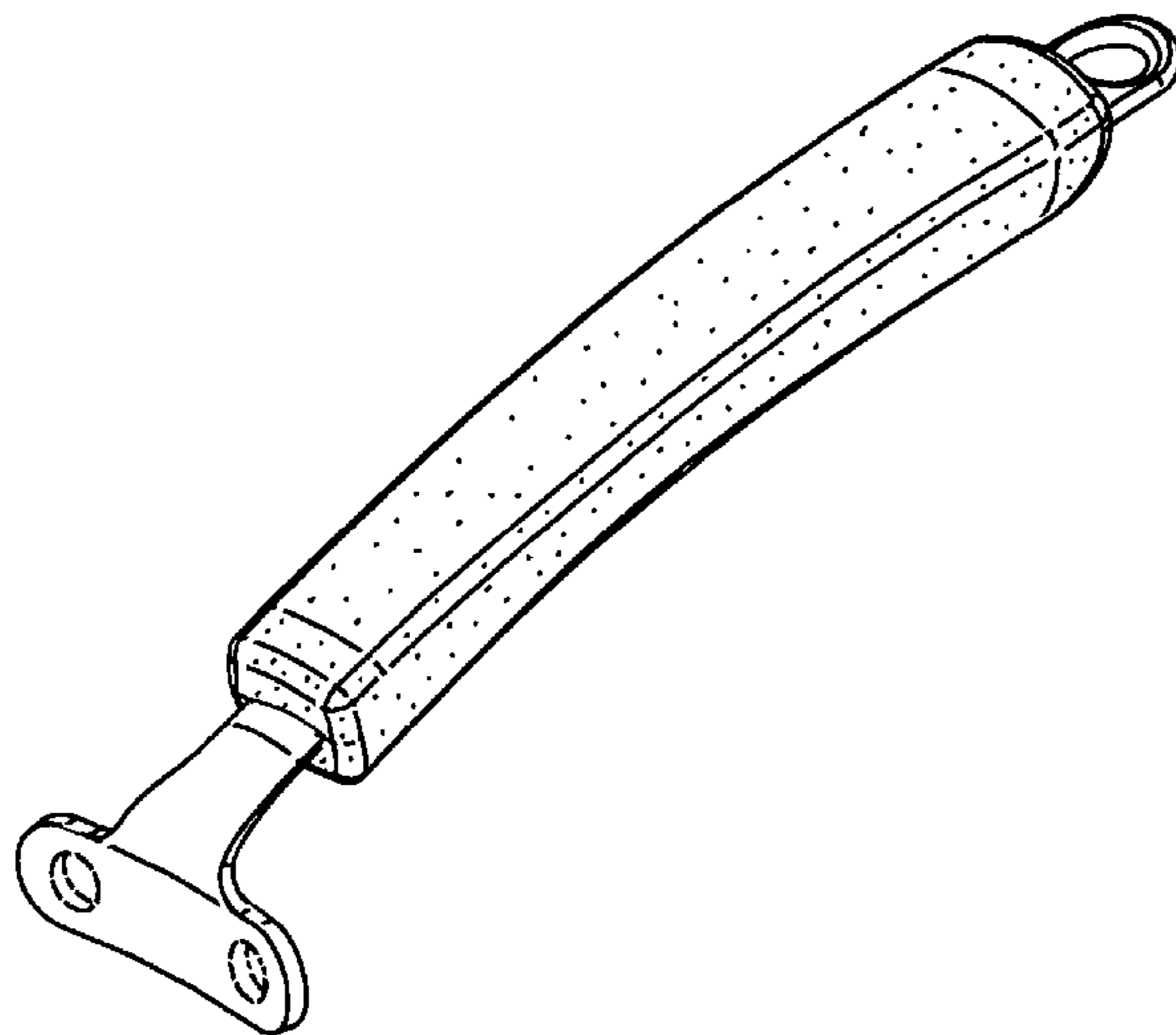
FIG. 1 is a perspective view of a first embodiment the elongated side handle for cookware showing my new design; FIG. 2 is a right side elevation view thereof; the left side elevation view being the mirror image thereof, FIG. 3 is a top plan view thereof; FIG. 4 is a bottom plan view thereof; FIG. 5 is a front elevation view thereof; FIG. 6 is a rear elevation view thereof. FIG. 7 is a perspective view of a second embodiment of my new design; FIG. 8 is a right side elevation view thereof; the left side elevation view being the mirror image thereof, FIG. 9 is a top plan view thereof; FIG. 10 is a bottom plan view thereof; FIG. 11 is a front elevation view thereof; and, FIG. 12 is a rear elevation view thereof.

The broken lines in FIGS. 1, 2, 5-8, 11 and 12 are for illustrative purposes only, depicting the environment of the new design, forming no part thereof as claimed.

The shading of the grip portion of the first embodiment in FIGS. 1-6 represents a contrasting surface appearance and is not intended to represent color.

The surface curvature in the second embodiment is the same as the first embodiment. The first embodiment has a grip portion with a contrasting surface appearance as illustrated by the use of shading.

1 Claim, 6 Drawing Sheets



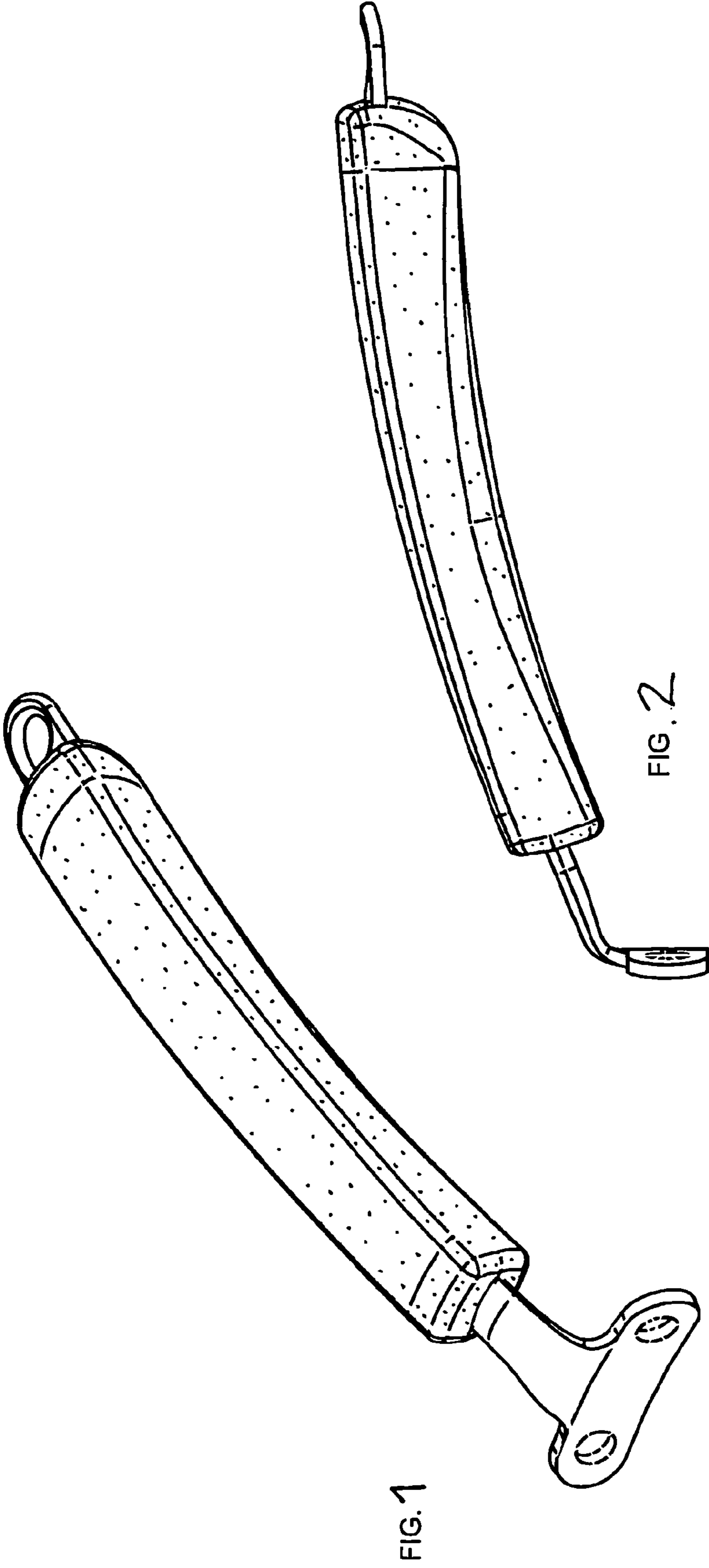


FIG. 1

FIG. 2

FIG. 3

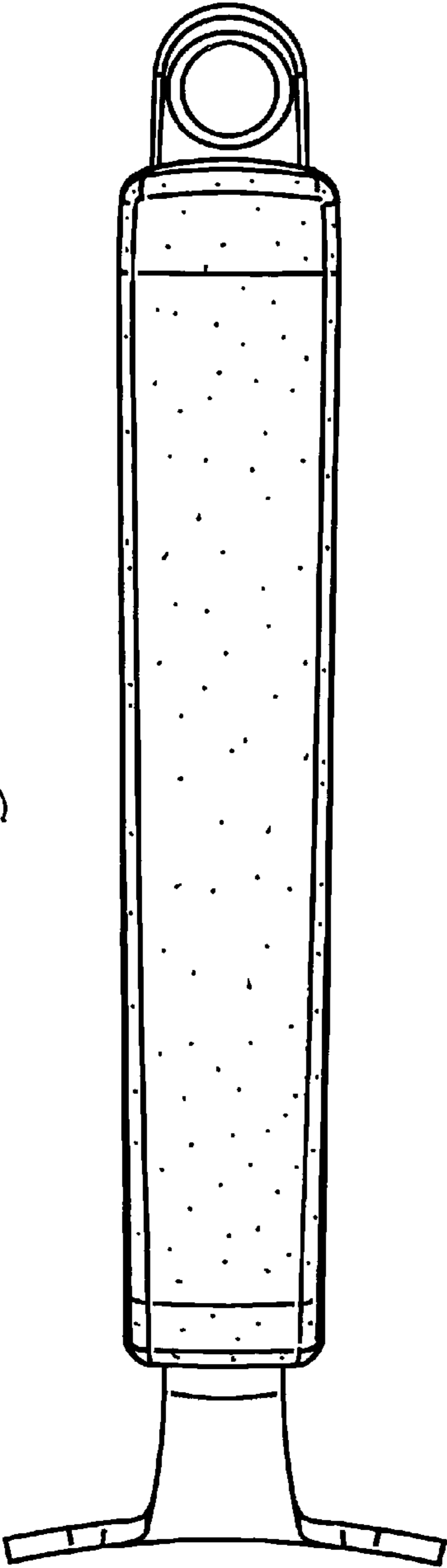


FIG. 4

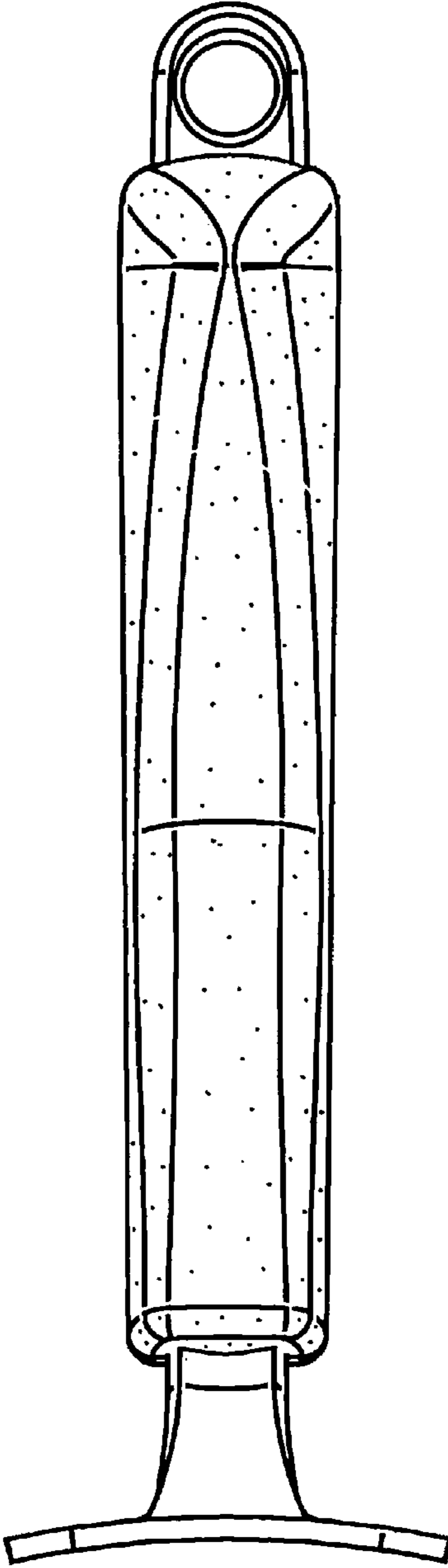


FIG. 6

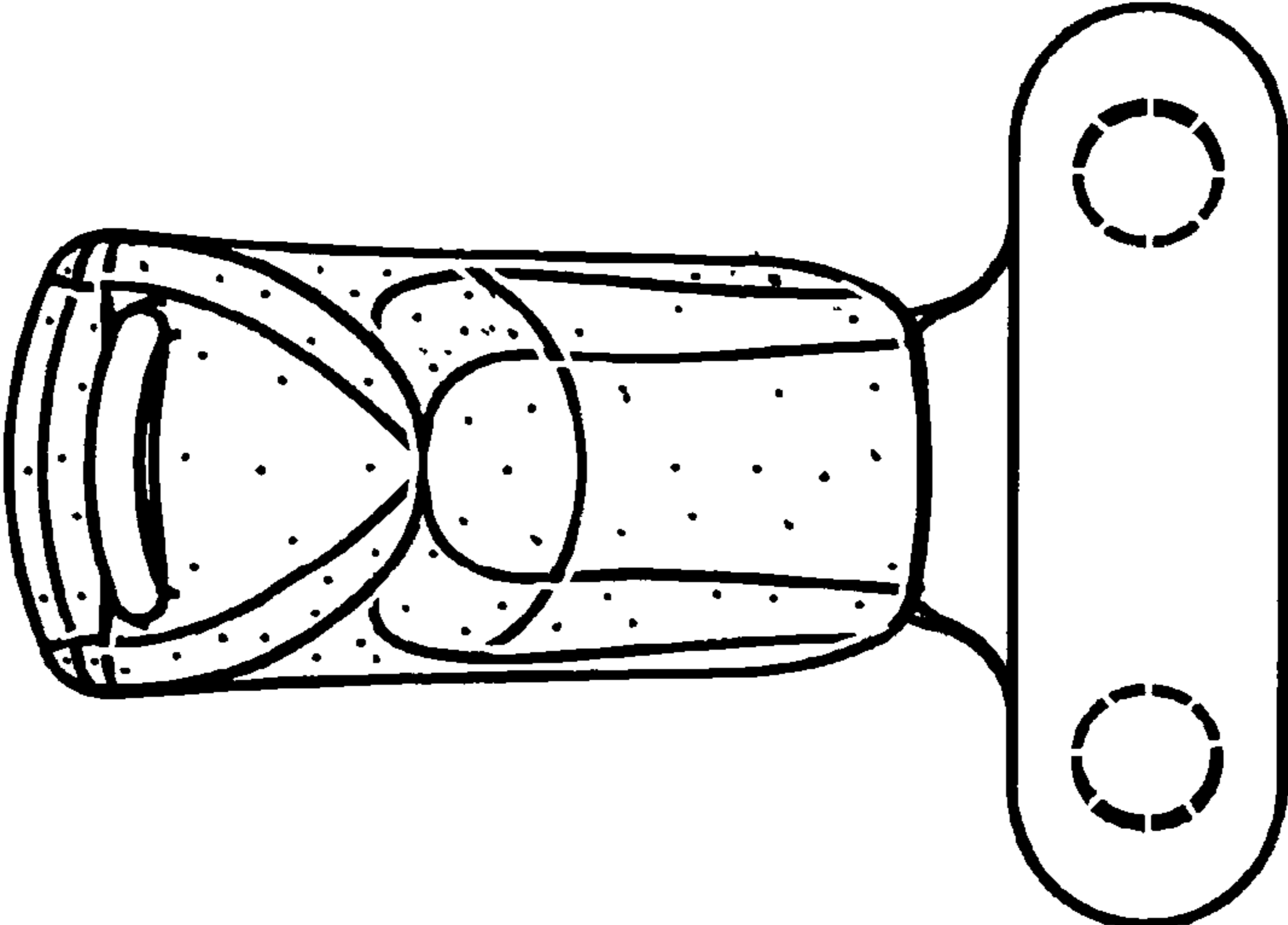
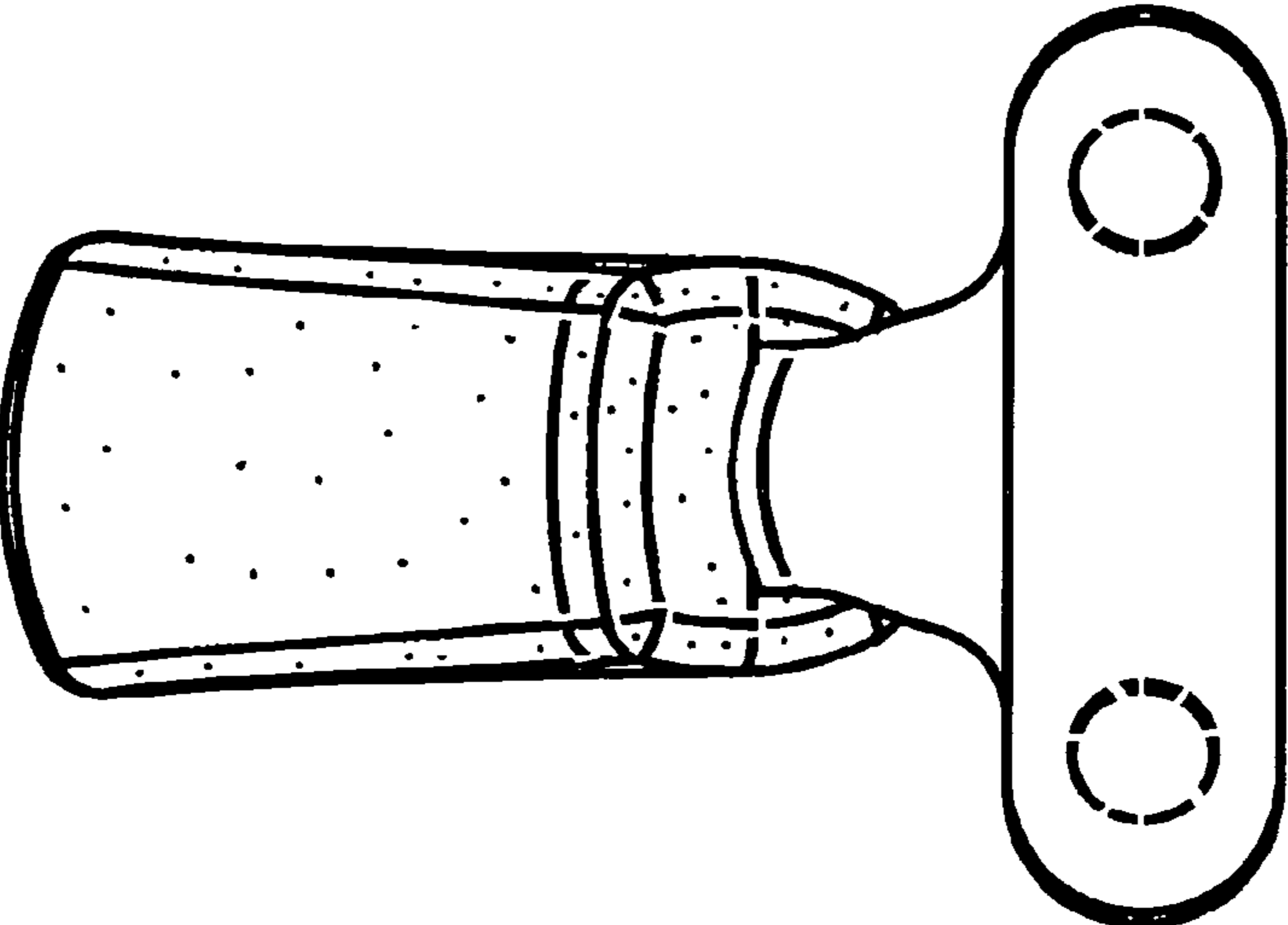


FIG. 5



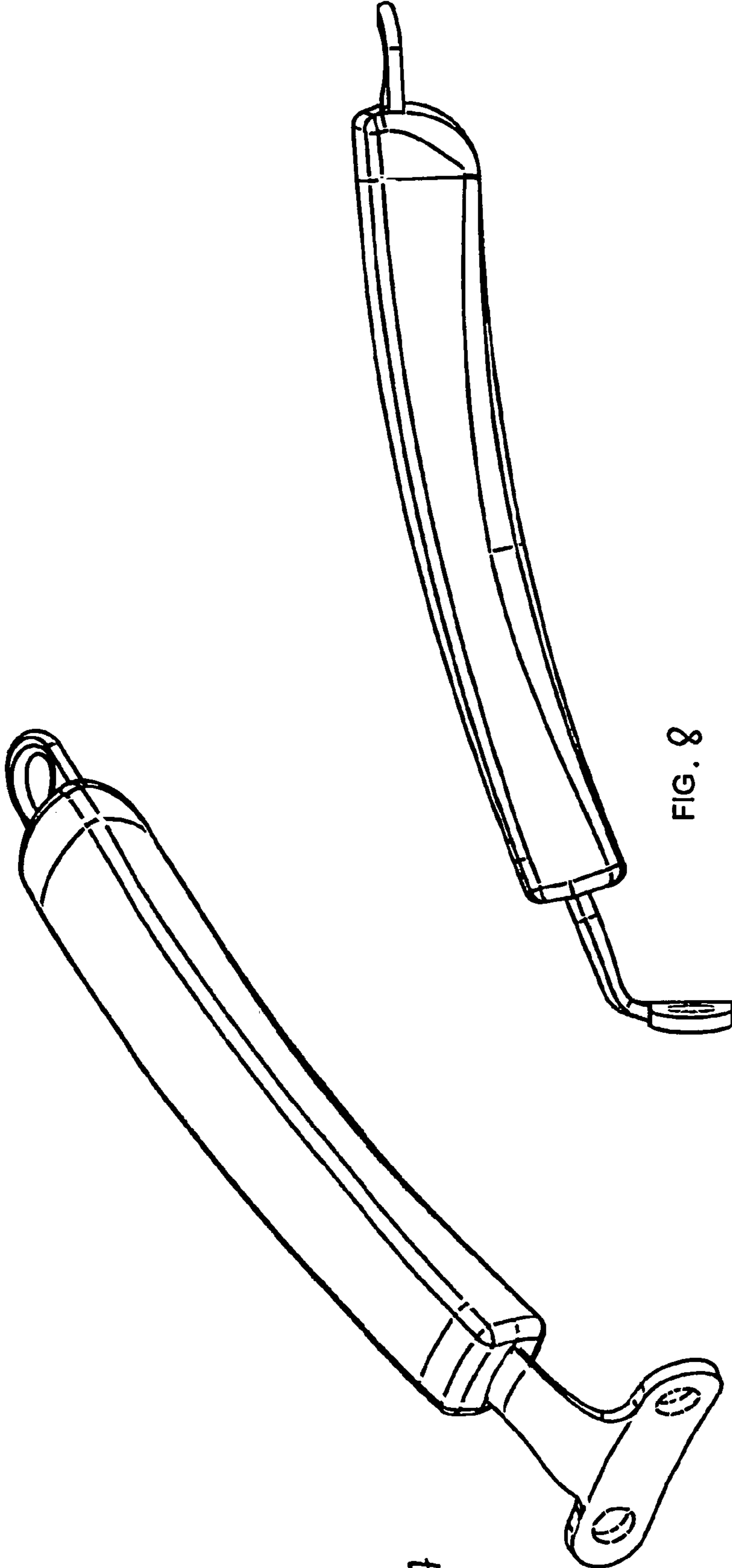


FIG. 7

FIG. 8

FIG. 9

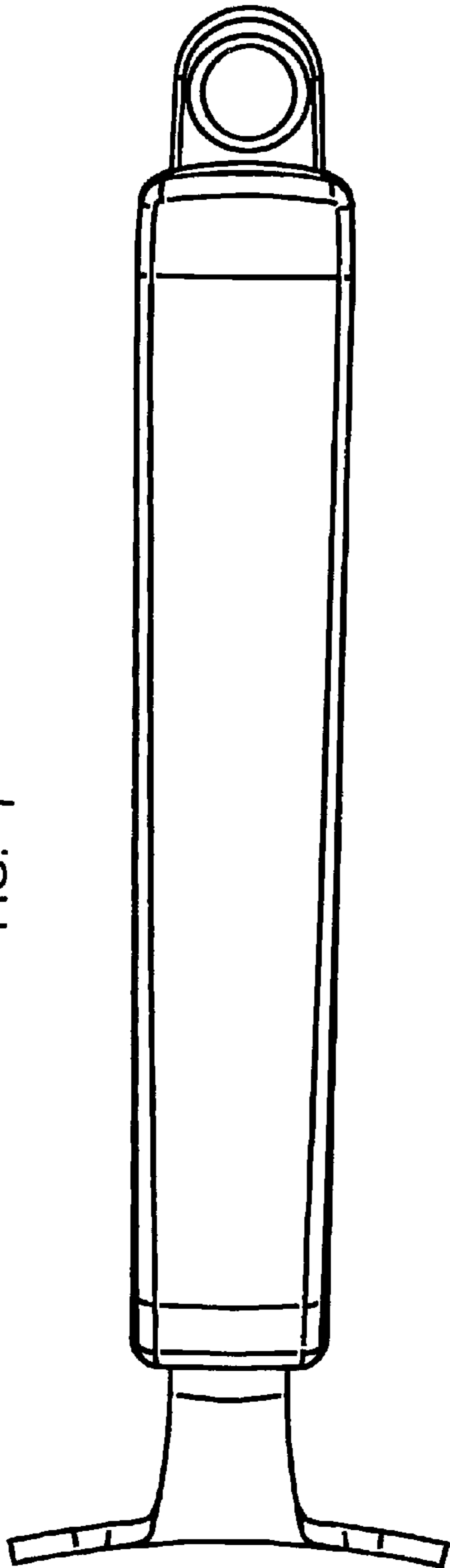


FIG. 10

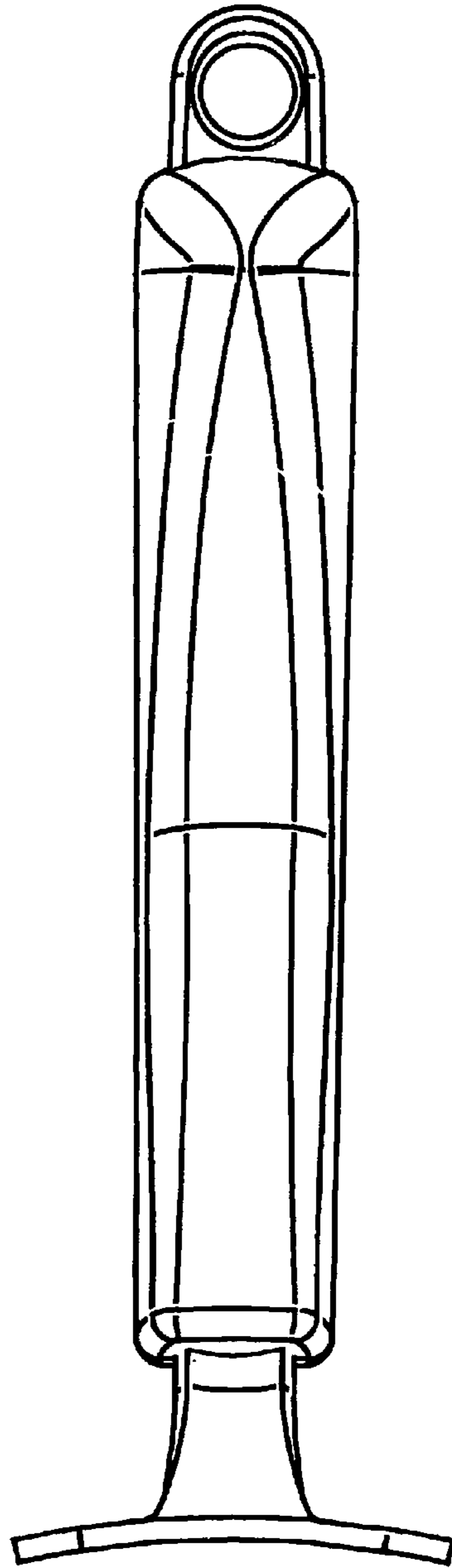


FIG. 11

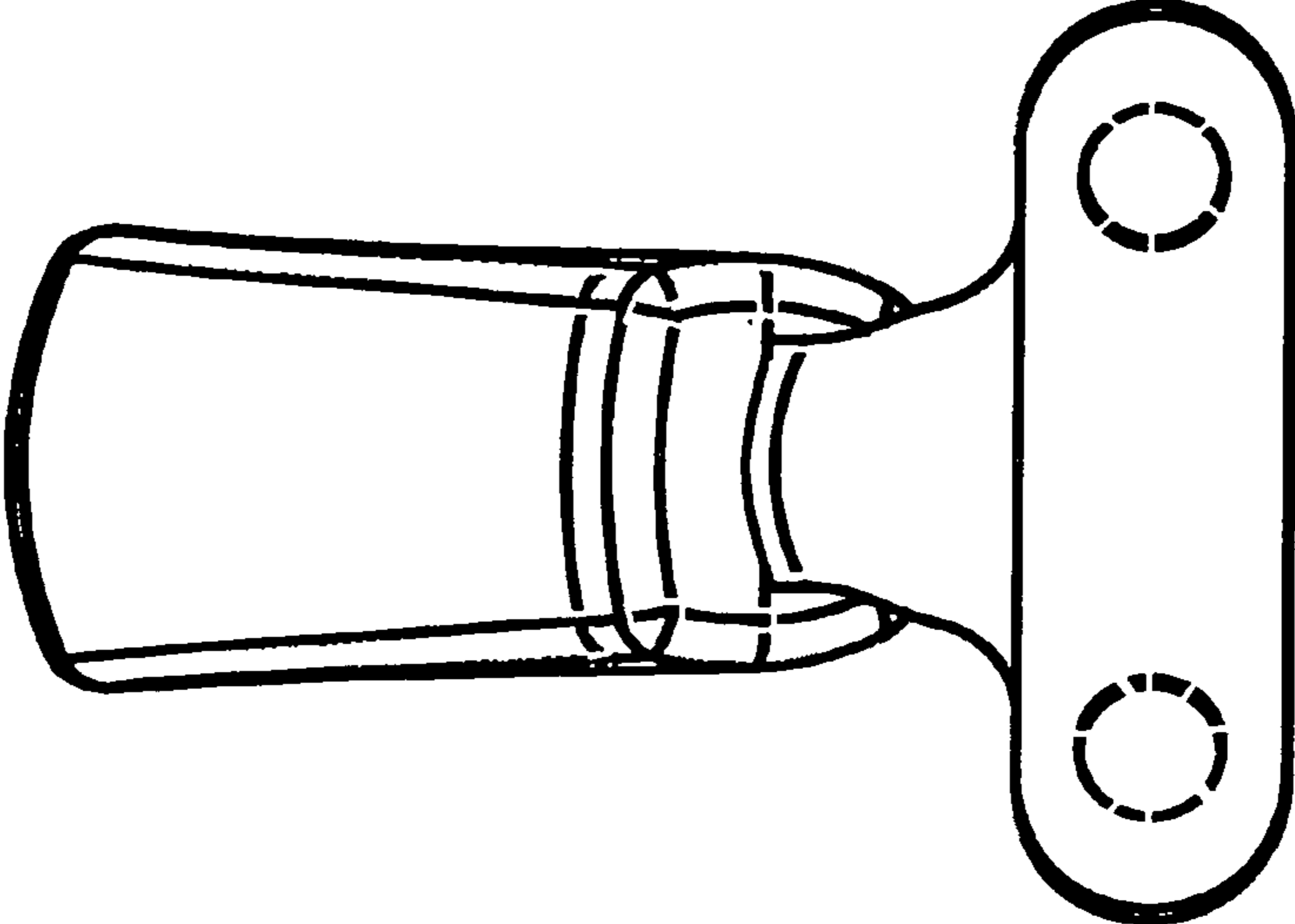


FIG. 12

