



US00D713672S

(12) **United States Design Patent**
Ho

(10) **Patent No.:** **US D713,672 S**
(45) **Date of Patent:** **** Sep. 23, 2014**

(54) **PITCHER TOP**

(71) Applicant: **Takeya USA Corporation**, Huntington Beach, CA (US)

(72) Inventor: **Chun Kit Ho**, Rosemead, CA (US)

(73) Assignee: **Takeya USA Corporation**, Huntington Beach, CA (US)

(**) Term: **14 Years**

(21) Appl. No.: **29/454,421**

(22) Filed: **May 9, 2013**

(51) **LOC (10) Cl.** **07-02**

(52) **U.S. Cl.**
USPC **D7/392.1**

(58) **Field of Classification Search**
CPC A47G 19/00
USPC D23/207, 209; D7/392.1, 443, 447,
D7/449, 629, 323, 392, 391, 397, 399,
D7/319; D9/451, 761, 561, 552, 452, 450,
D9/453, 440; 222/475.1, 465.1; 215/387,
215/388, 11.1, 41

See application file for complete search history.

(56) **References Cited**

U.S. PATENT DOCUMENTS

2,055,096 A 10/1932 Dehn et al.
D102,574 S 12/1936 Nelson
D110,140 S * 6/1938 Gamble D7/392
D121,154 S * 6/1940 Bernhardt D7/392

(Continued)

FOREIGN PATENT DOCUMENTS

CN 201658143 12/2010
JP 8310531 11/1996
JP 11075693 3/1999

OTHER PUBLICATIONS

International Search Report and Written Opinion for International Application No. PCT/US2012/027695, Notification mailed Oct. 19, 2012.

Primary Examiner — George D Kirschbaum

Assistant Examiner — Kendra L Hamilton

(74) *Attorney, Agent, or Firm* — Knobbe Martens Olson & Bear LLP

(57) **CLAIM**

The ornamental design for a pitcher top, as shown and described.

DESCRIPTION

FIG. 1 is a top, front and side perspective view of a first embodiment of a pitcher top embodying the new design.

FIG. 2 is a top, back and side perspective view thereof.

FIG. 3 is a front view thereof.

FIG. 4 is a back view thereof.

FIG. 5 is a side view thereof, the opposite side being a mirror image.

FIG. 6 is a top view thereof.

FIG. 7 is a bottom view thereof.

FIG. 8 is a top, front and side perspective view showing an environment for use of the pitcher top.

FIG. 9 is a top, front and side perspective view of a second embodiment of a pitcher top embodying the new design.

FIG. 10 is a top, back and side perspective view thereof.

FIG. 11 is a front view thereof.

FIG. 12 is a back view thereof.

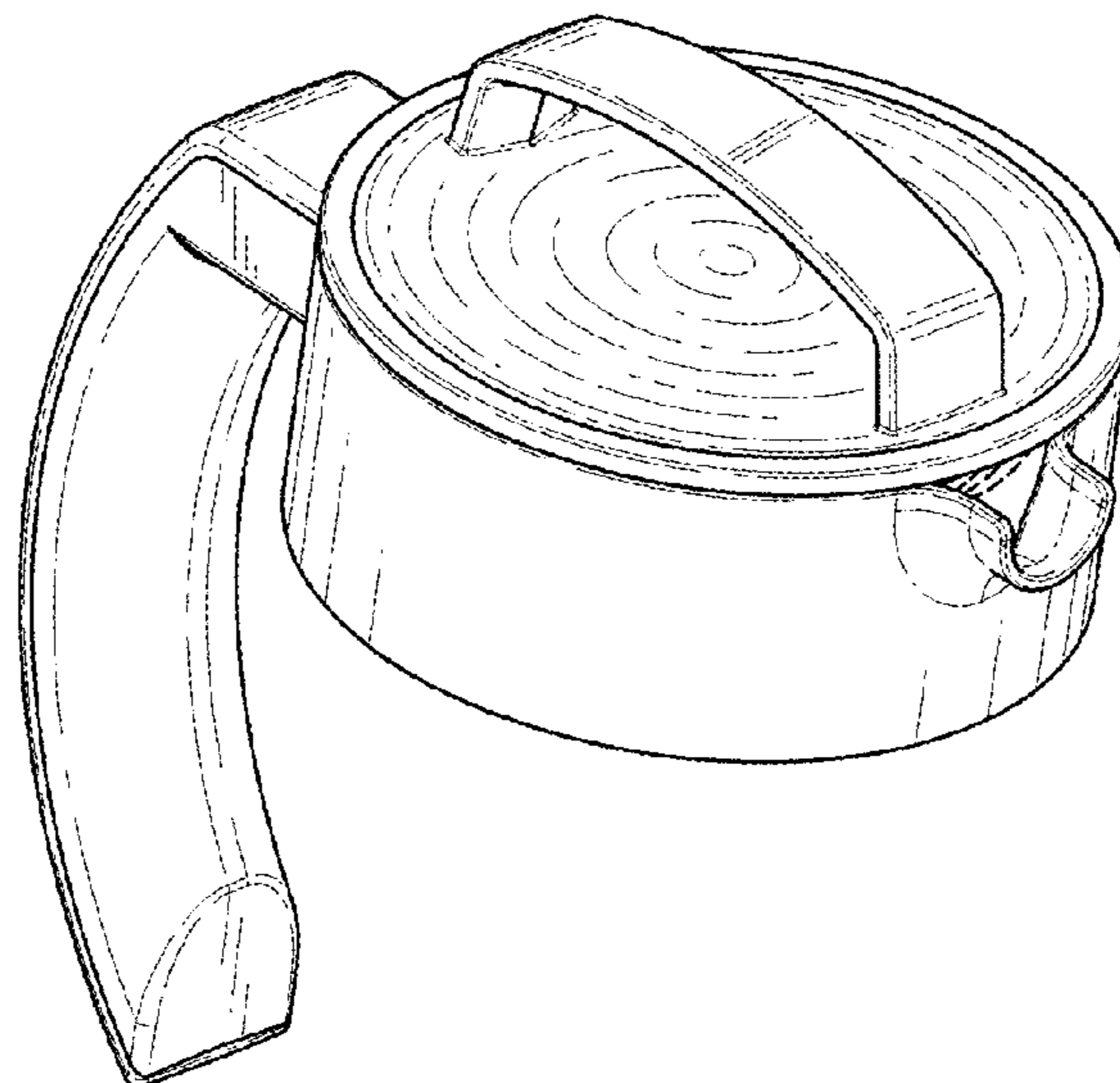
FIG. 13 is a side view thereof, the opposite side being a mirror image.

FIG. 14 is a top view thereof; and,

FIG. 15 is a bottom view thereof.

Broken lines are used to illustrate features of the pitcher top which form no part of the claimed design.

1 Claim, 9 Drawing Sheets



(56)

References Cited

U.S. PATENT DOCUMENTS

D152,451 S *	1/1949	Blakeslee	D7/393	6,442,961 B1	9/2002	Rosenberg et al.
D157,795 S	3/1950	Schwarz			D473,092 S	4/2003	Heiberg et al.
D203,211 S *	12/1965	Brocken	D7/392	6,578,726 B1	6/2003	Schaefer
3,463,947 A	8/1969	Taylor			D484,743 S	1/2004	Furlong
D216,370 S	12/1969	Tsoo-Hing et al.			D490,266 S *	5/2004	Imai D7/318
3,844,450 A	10/1974	Johnson			6,752,287 B1	6/2004	Lin
D247,211 S *	2/1978	Young	D7/392	6,758,363 B2	7/2004	Stokes
4,276,992 A	7/1981	Susich			6,763,964 B1	7/2004	Hurlbut et al.
4,487,114 A	12/1984	Abdenour			D503,069 S *	3/2005	Dilollo et al. D7/392
4,492,323 A *	1/1985	Essen	222/465.1	6,871,914 B2	3/2005	Stewart, Jr.
D286,967 S	12/1986	Appel			D511,684 S *	11/2005	Guyot D9/443
D301,296 S	5/1989	Hsu			7,032,507 B2	4/2006	Cai
D302,370 S	7/1989	Gibert			D530,590 S	10/2006	Singtoroj et al.
D306,547 S	3/1990	Wolfenden			7,195,137 B2 *	3/2007	Belcastro 222/484
D308,460 S	6/1990	Balzano			7,219,600 B1	5/2007	Haven et al.
D313,726 S	1/1991	Scherer			D560,951 S	2/2008	Appleton
D316,206 S	4/1991	Daenen et al.			D569,324 S	5/2008	Gosnell et al.
D319,368 S	8/1991	Picozza et al.			D569,618 S	5/2008	Kirk
D320,350 S *	10/1991	Fabiano	D9/447	D571,145 S	6/2008	Rae
D321,301 S	11/1991	Purkapile			D579,717 S	11/2008	Pawson et al.
D323,093 S *	1/1992	Picozza et al.	D7/319	D586,178 S *	2/2009	Ku D7/392.1
D325,687 S *	4/1992	Embree	D7/510	D587,513 S	3/2009	Bodum
D338,367 S *	8/1993	Fonville	D7/317	D587,957 S	3/2009	Imai
5,231,918 A	8/1993	Grzywna			D592,123 S	5/2009	Cady
5,318,791 A	6/1994	Millman et al.			D597,396 S	8/2009	Menzies
5,363,745 A	11/1994	Lin			D598,747 S *	8/2009	Caldwell D9/435
5,477,979 A	12/1995	Goessling et al.			D602,730 S	10/2009	Kino
D370,384 S *	6/1996	Shamis	D7/393	D612,237 S *	3/2010	Richey D9/447
5,531,353 A	7/1996	Ward et al.			7,753,223 B2 *	7/2010	Boozer et al. 220/254.7
5,613,616 A	3/1997	Monus			D620,747 S *	8/2010	Taketani et al. D7/392.1
5,680,951 A	10/1997	Feltman, III et al.			7,779,751 B2	8/2010	Gilbert
D406,006 S *	2/1999	Hatsumoto et al.	D7/396.2	D629,645 S *	12/2010	Chin et al. D7/392.1
D406,011 S	2/1999	Hatsumoto et al.			7,992,487 B1	8/2011	Kahl
5,913,964 A	6/1999	Melton			D652,685 S *	1/2012	Carter D7/622
D427,846 S	7/2000	Hajwanie			8,561,834 B2 *	10/2013	Ziegler 220/740
6,095,033 A	8/2000	Melton			D699,509 S *	2/2014	El-Saden et al. D7/392.1
6,231,226 B1	5/2001	Neidigh			2003/0080048 A1	5/2003	Lin
D446,681 S	8/2001	Weibel			2004/0261631 A1	12/2004	Lee
6,269,736 B1	8/2001	Melton			2005/0133545 A1 *	6/2005	Find 222/465.1
6,276,262 B1	8/2001	Chen			2006/0185521 A1	8/2006	Publicover et al.
D448,995 S *	10/2001	McDonald	D9/449	2009/0178573 A1	7/2009	Pan
6,314,866 B1	11/2001	Melton			2010/0263549 A1	10/2010	Lee
6,372,270 B1	4/2002	Denny			2011/0056386 A1	3/2011	Taketani
RE37,773 E	7/2002	Trombley			2011/0162532 A1	7/2011	Gilbert
					2011/0219956 A1	9/2011	Englert et al.
					2012/0225175 A1	9/2012	Lown

* cited by examiner

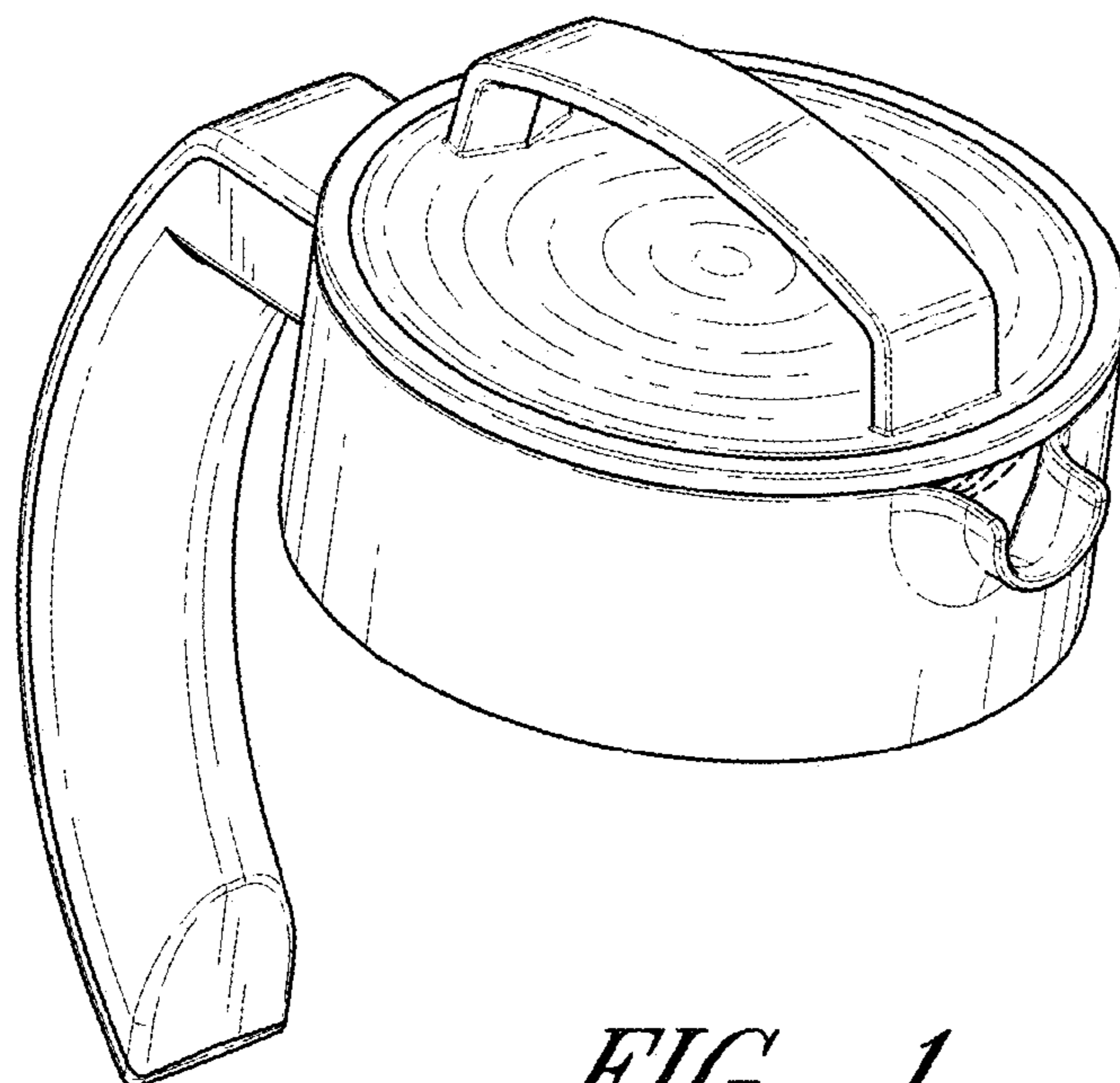


FIG. 1

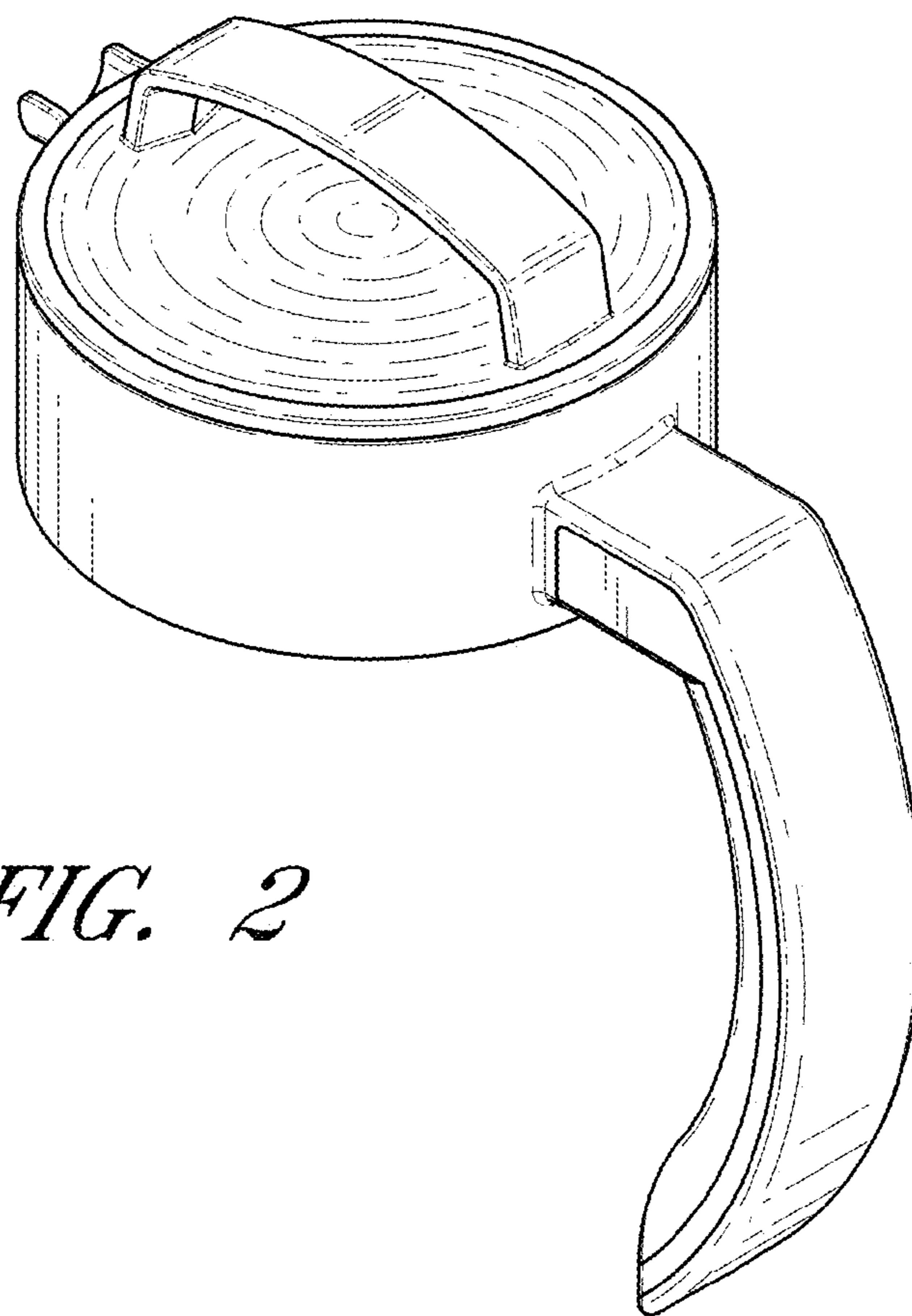


FIG. 2

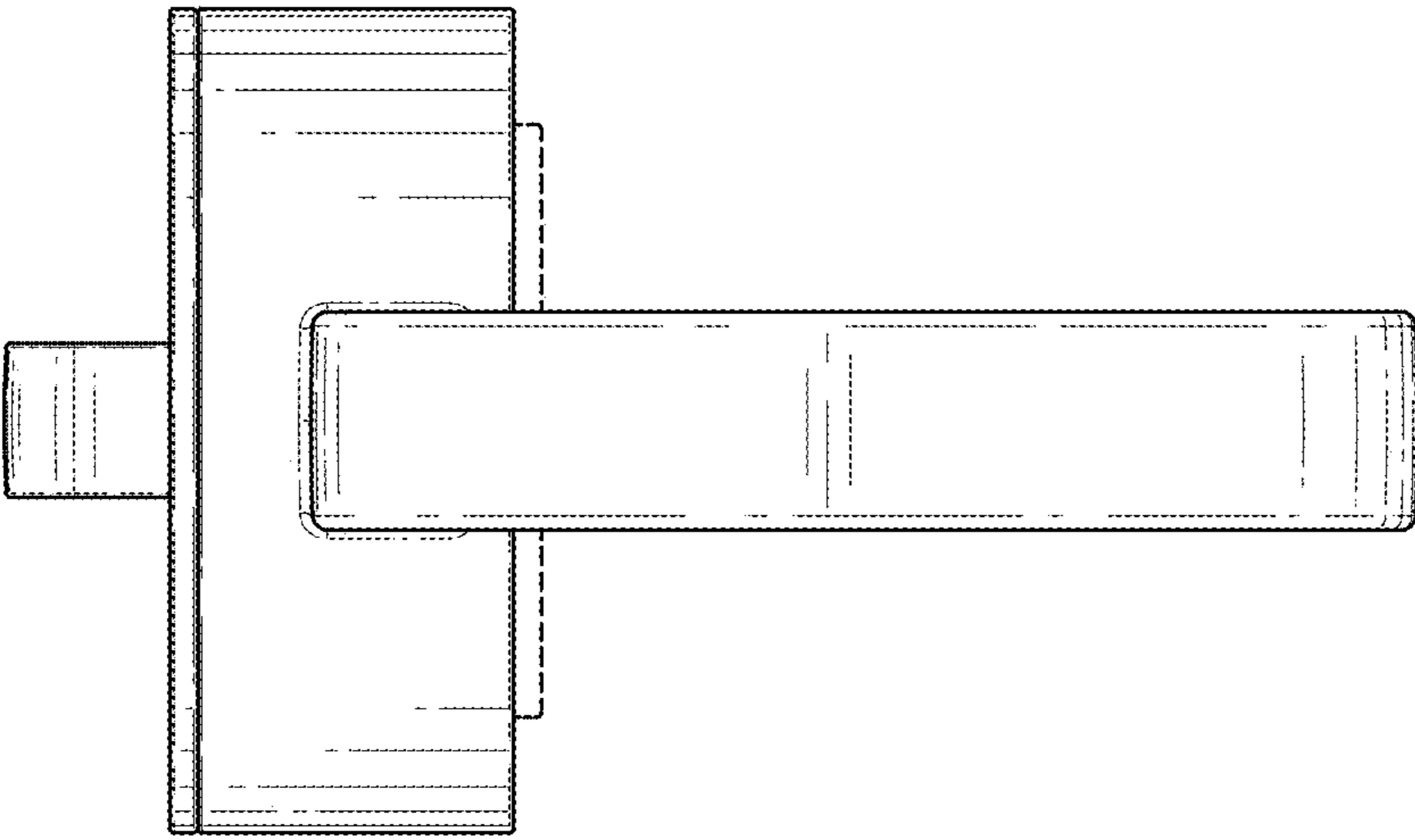


FIG. 3

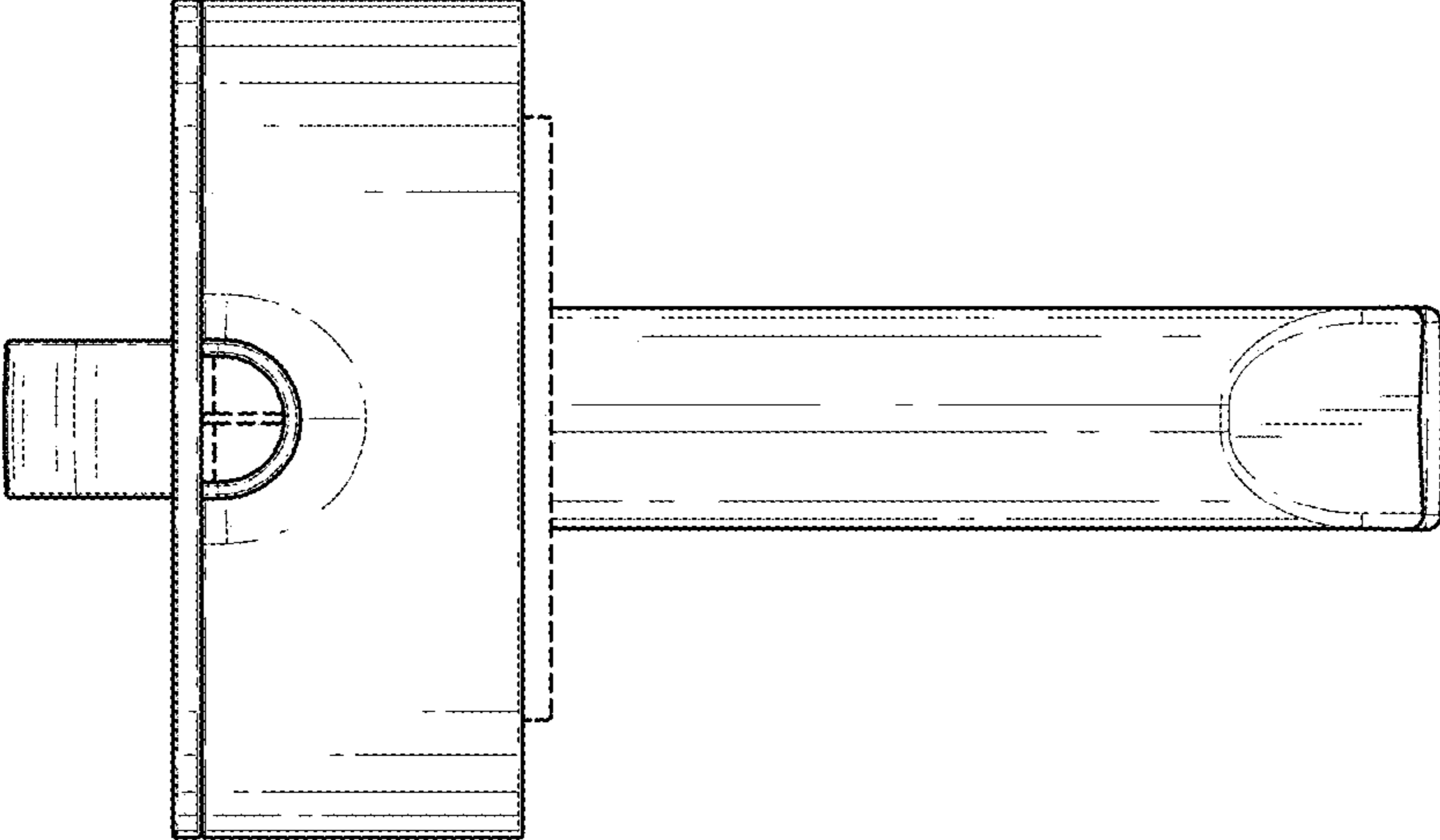


FIG. 4

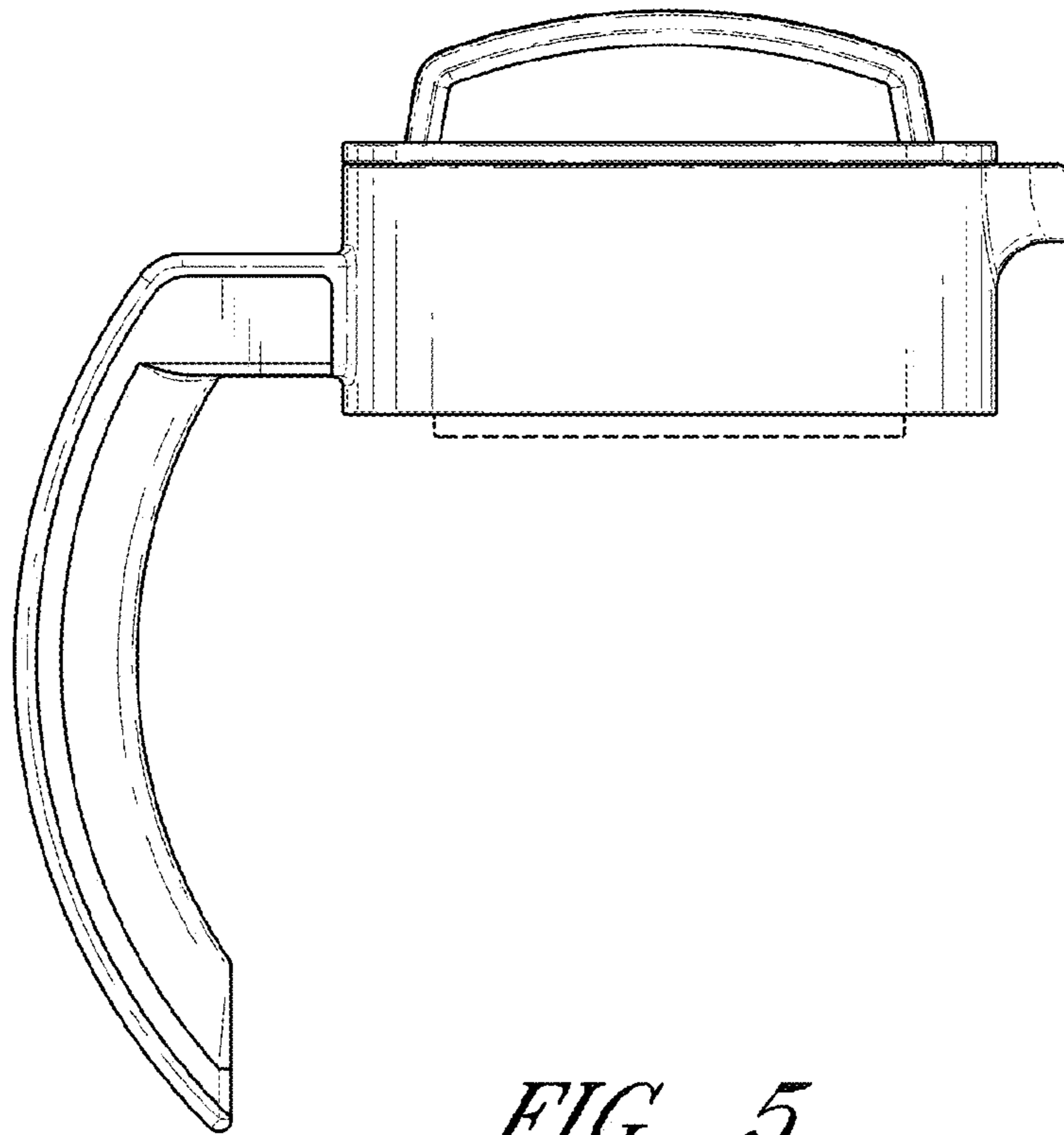


FIG. 5

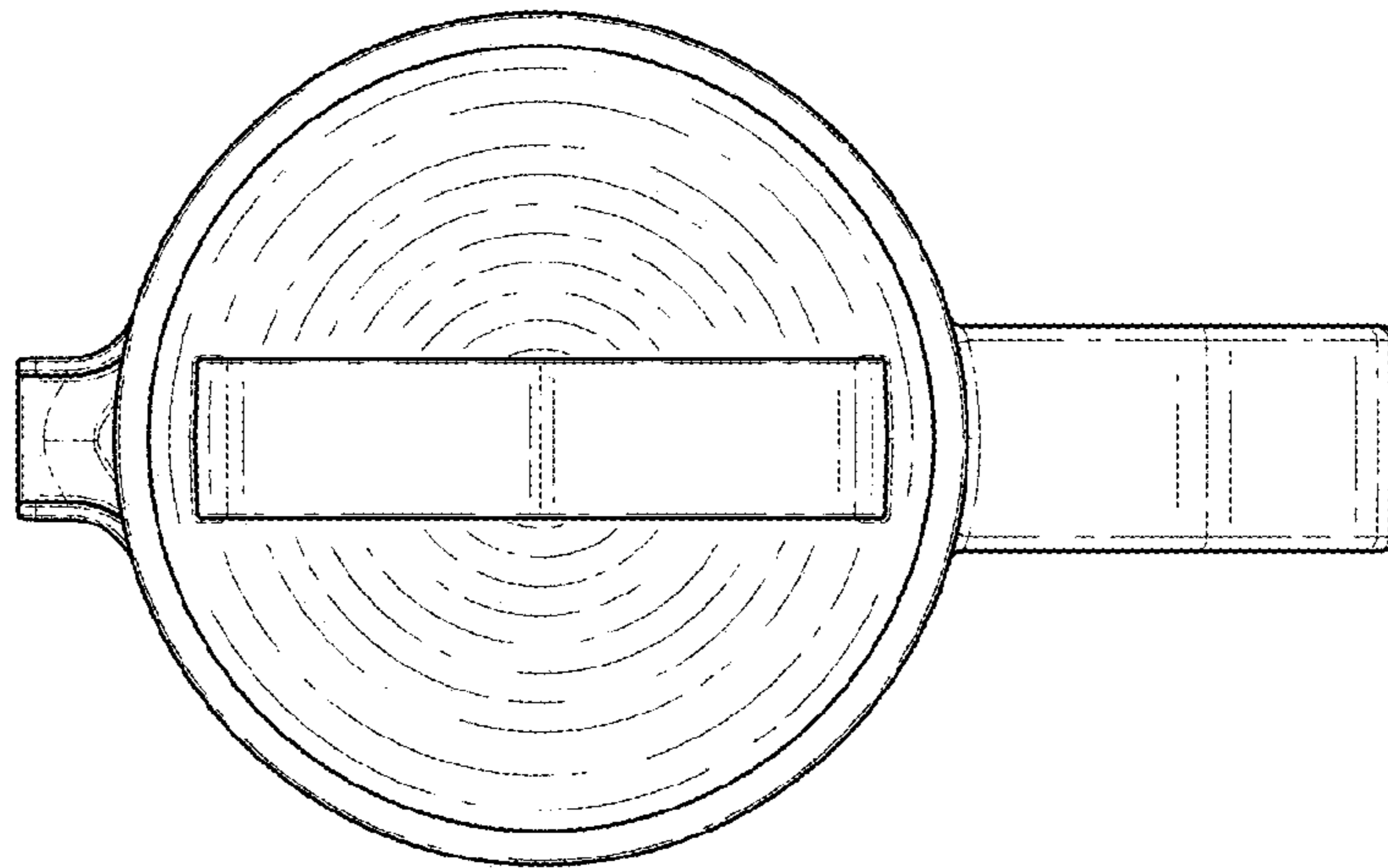


FIG. 6

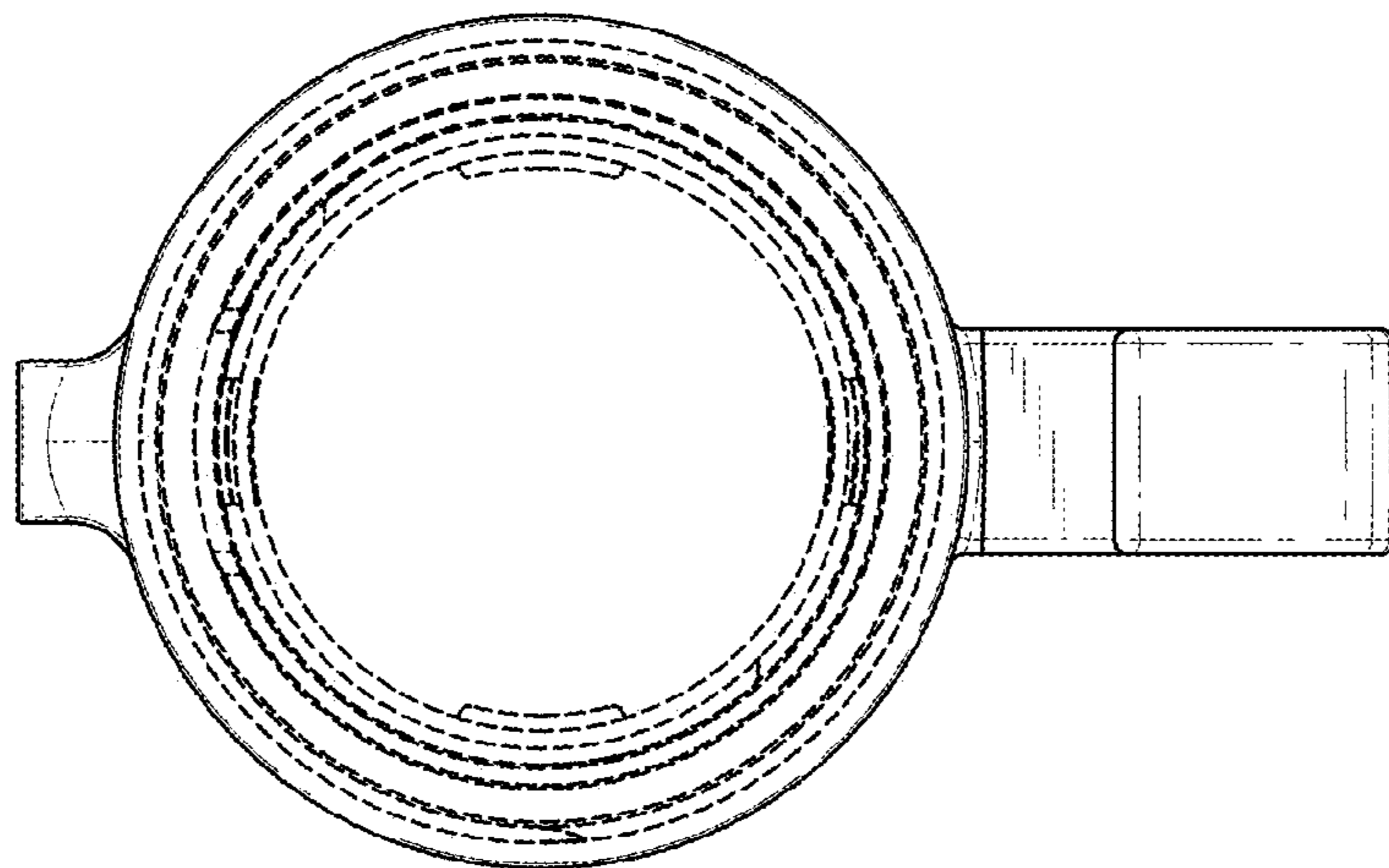


FIG. 7

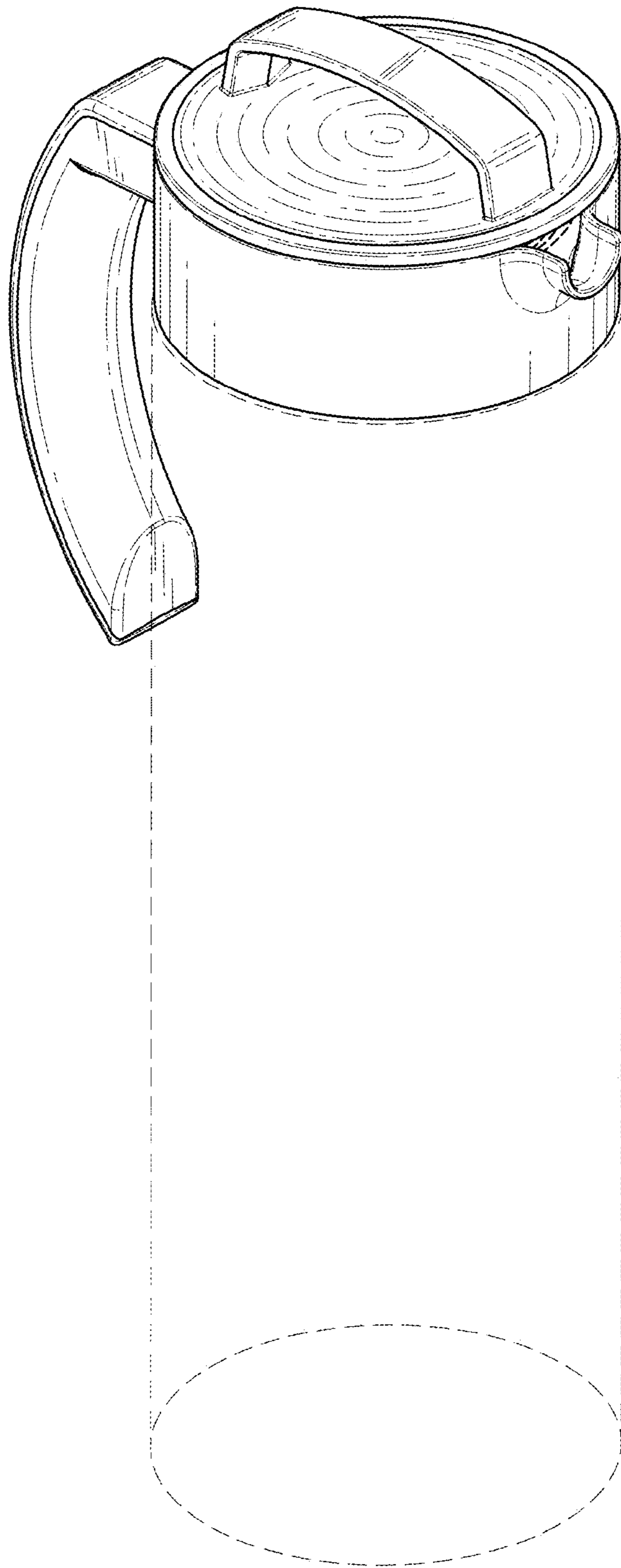


FIG. 8

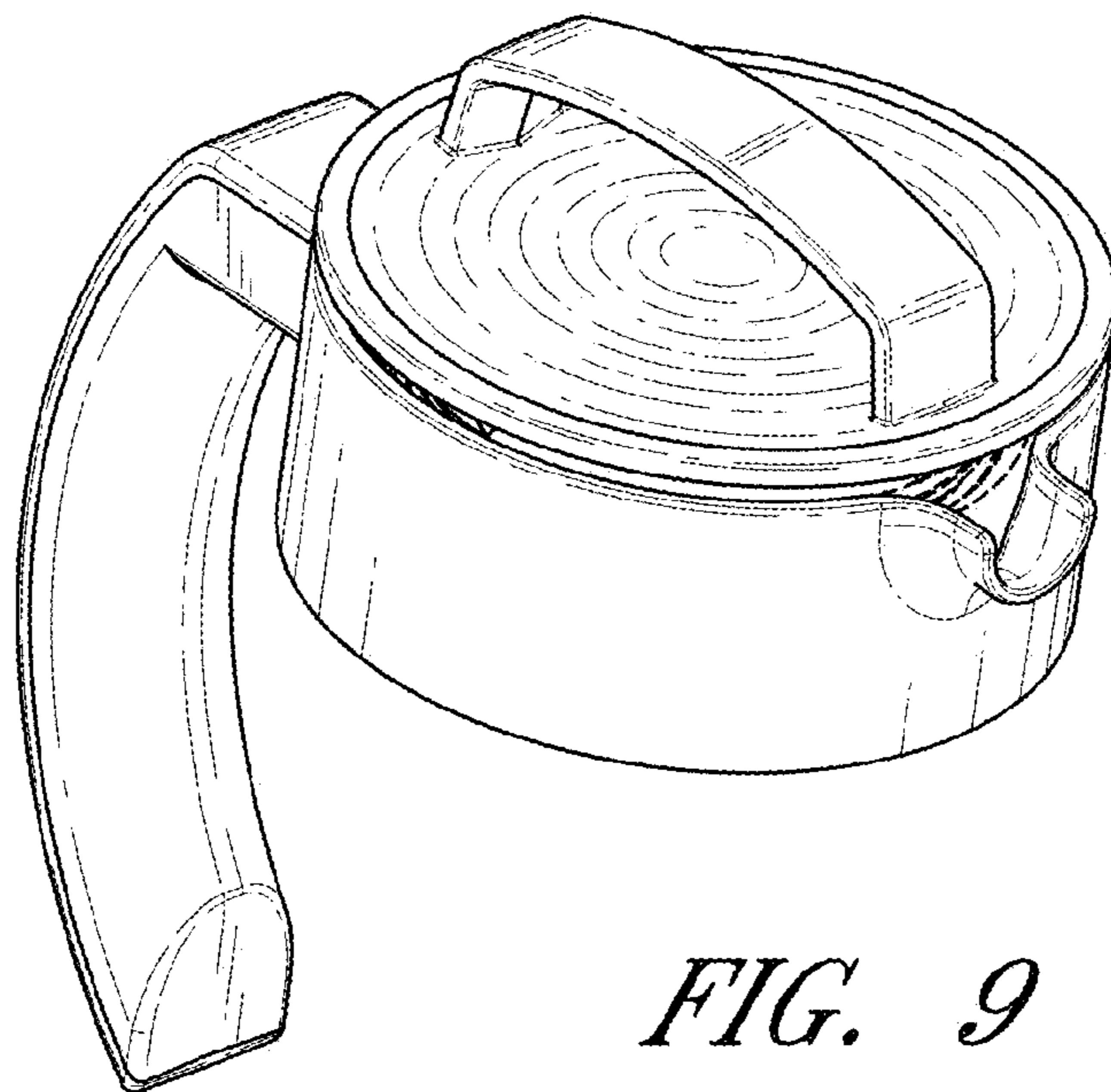


FIG. 9

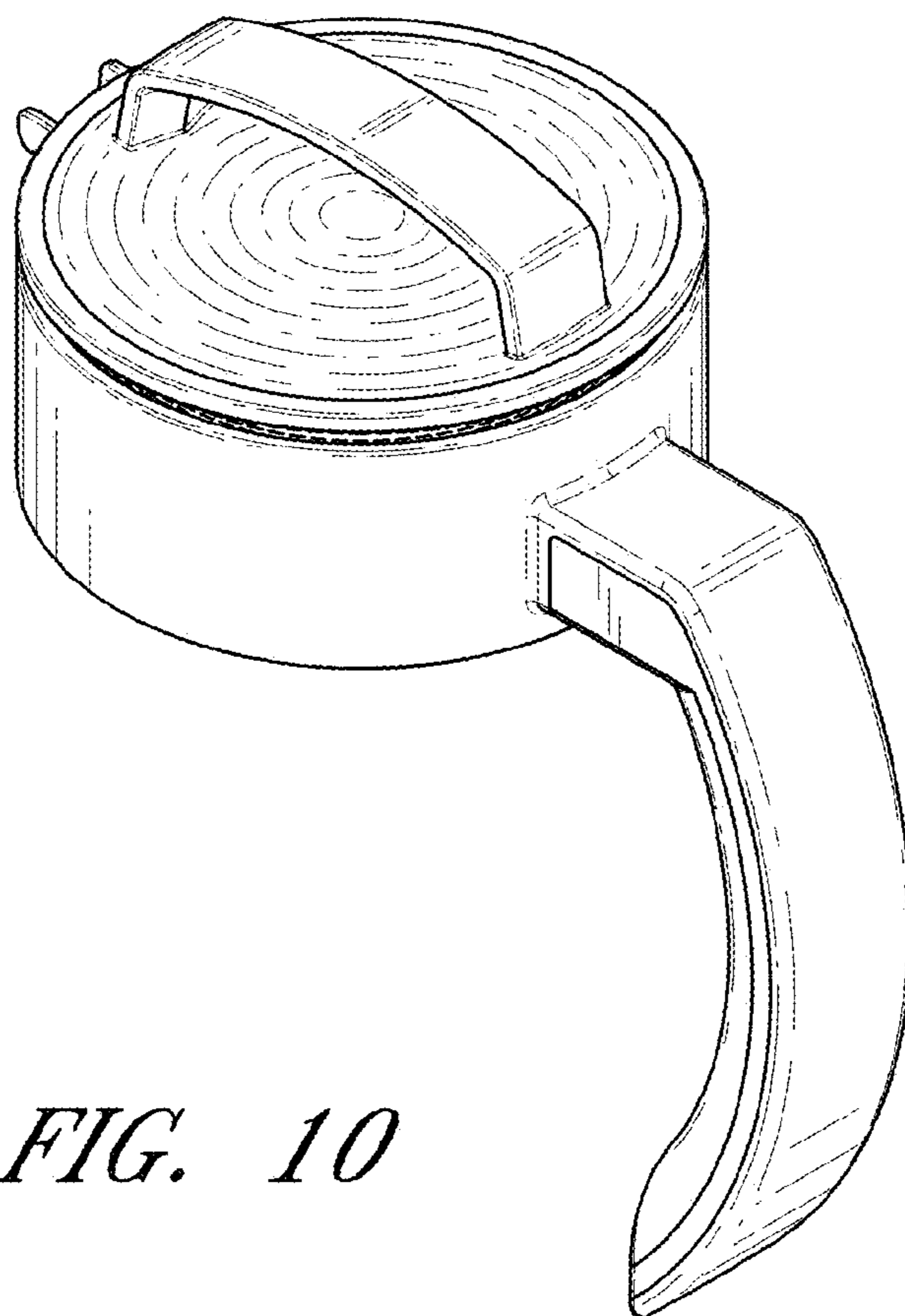


FIG. 10

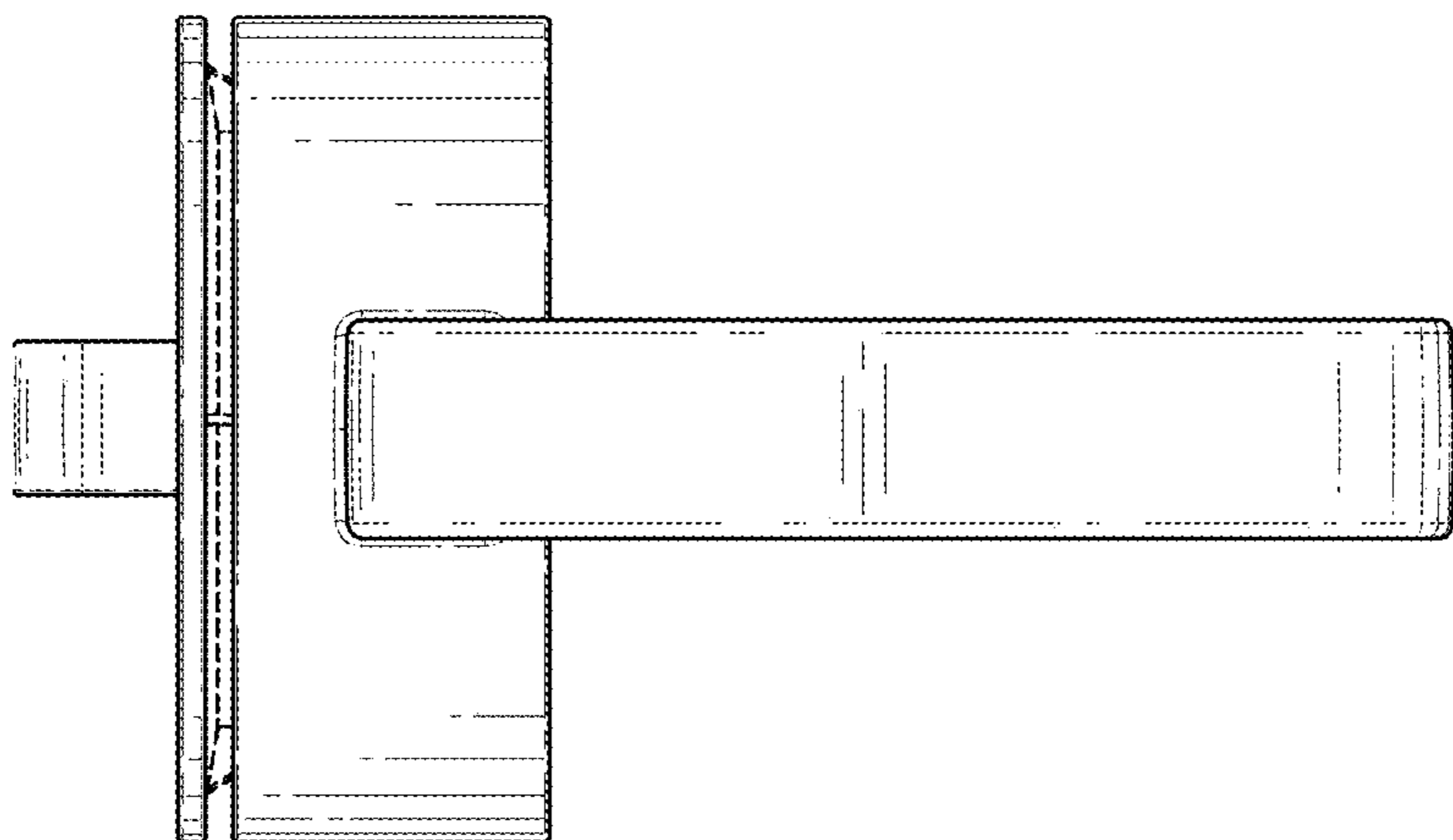


FIG. 12

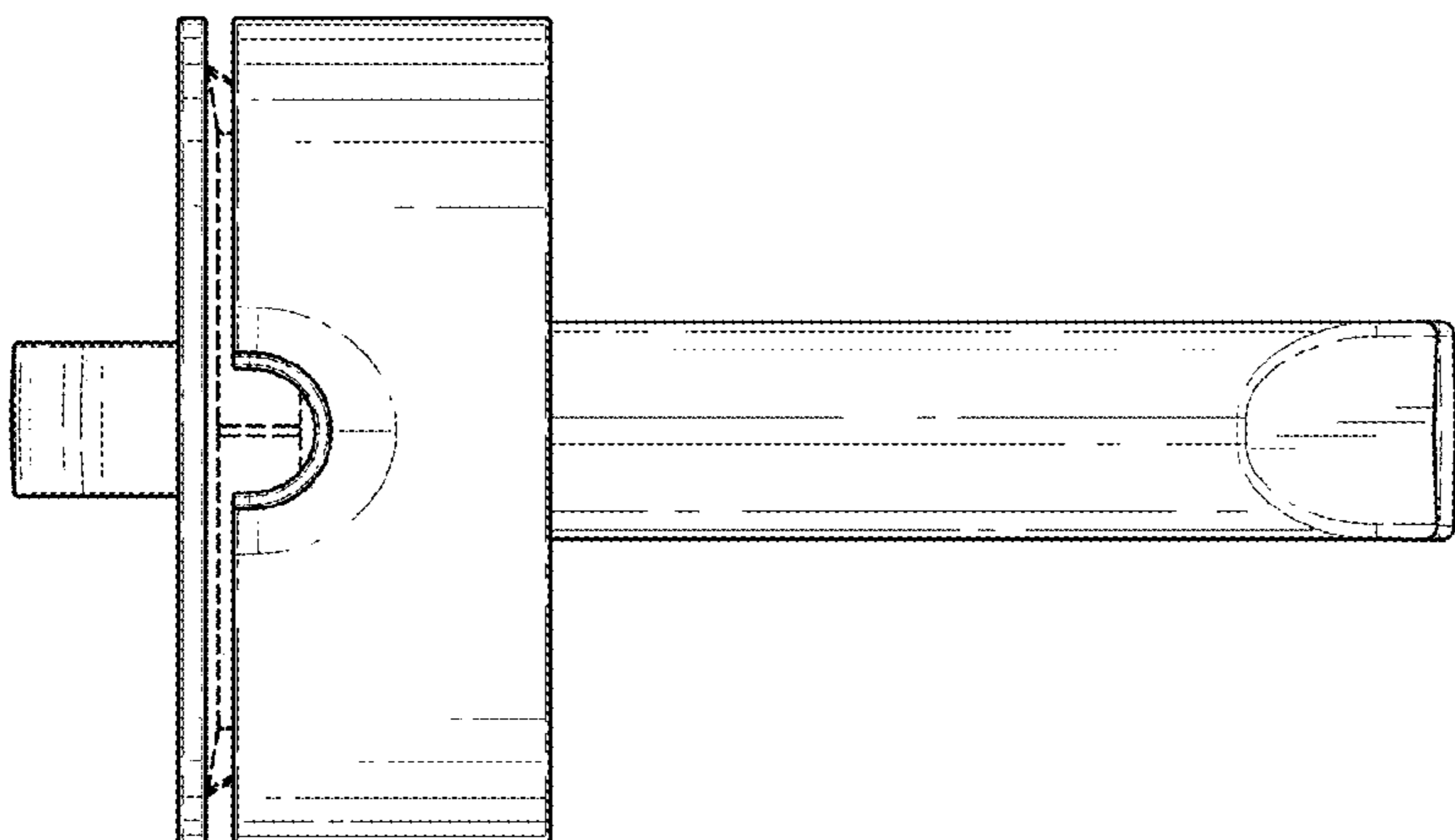


FIG. 11

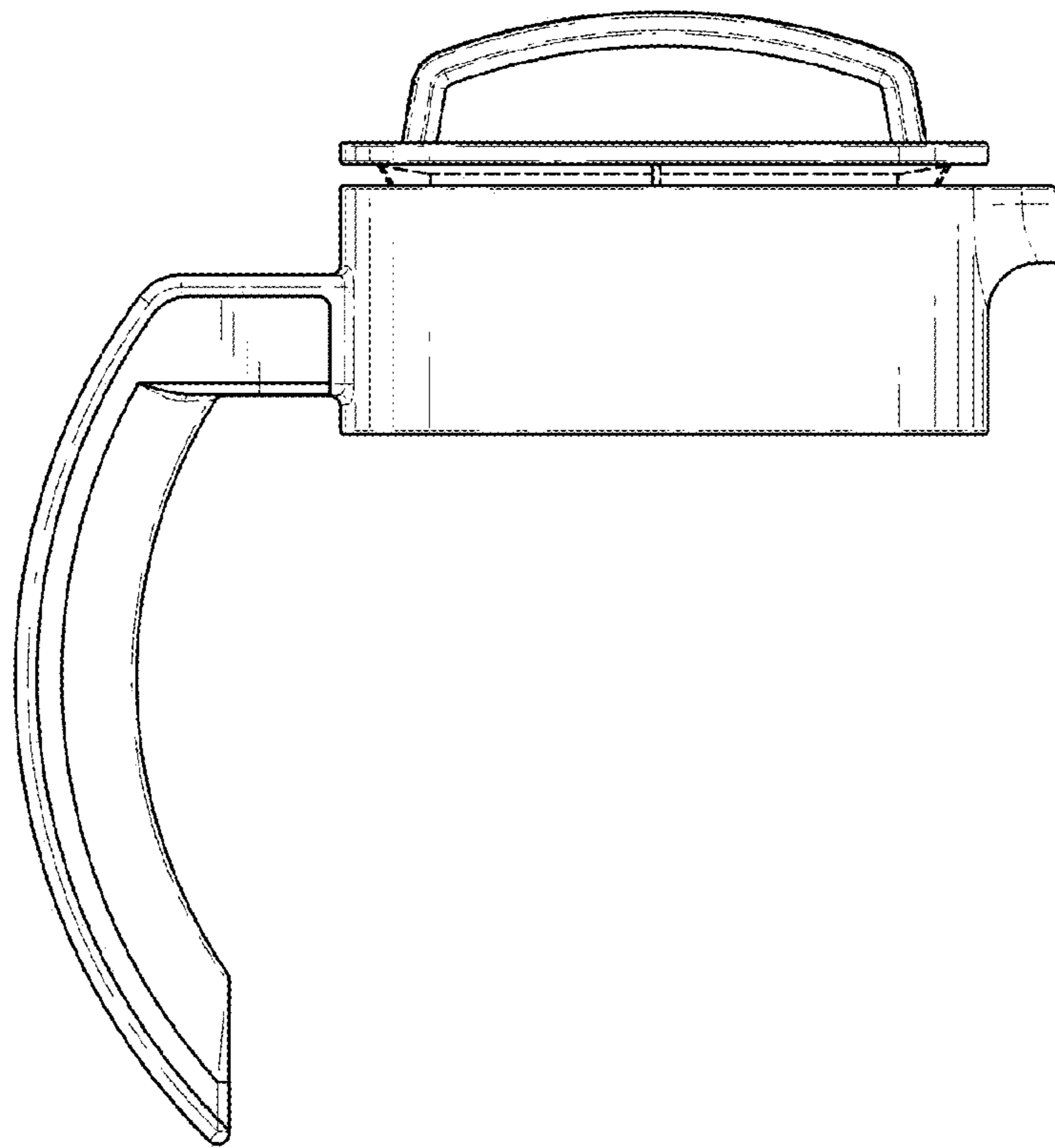


FIG. 13

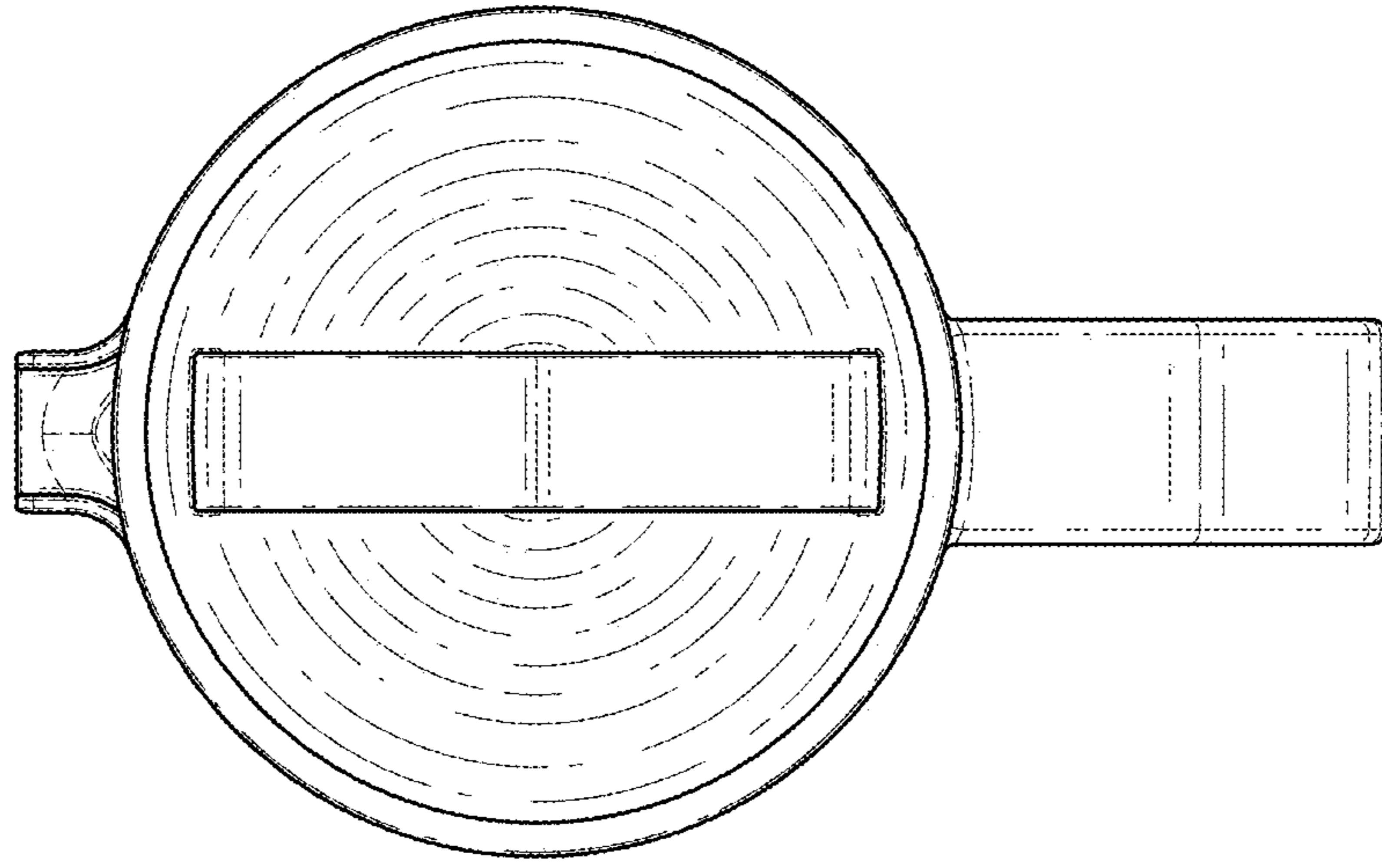


FIG. 14

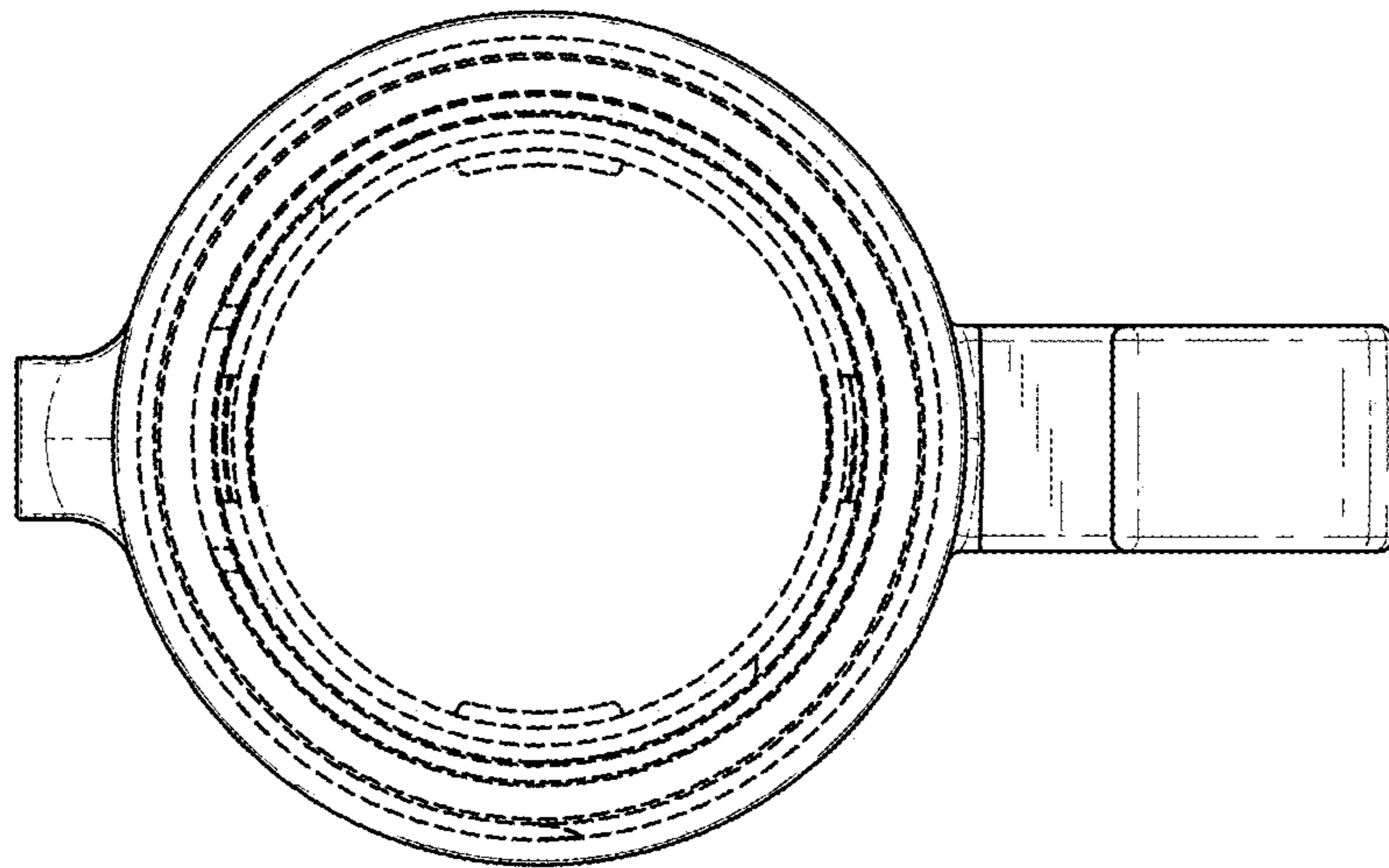


FIG. 15