



US00D713671S

(12) **United States Design Patent**  
**De Leo**

(10) **Patent No.:** **US D713,671 S**

(45) **Date of Patent:** **\*\* Sep. 23, 2014**

(54) **SIPPY CUP LID**

(71) Applicant: **Dart Industries Inc.**, Orlando, FL (US)

(72) Inventor: **Anthony M. De Leo**, Orlando, FL (US)

(73) Assignee: **Dart Industries Inc.**, Orlando, FL (US)

(\*\*) Term: **14 Years**

(21) Appl. No.: **29/436,568**

(22) Filed: **Nov. 7, 2012**

(51) **LOC (10) Cl.** ..... **09-07**

(52) **U.S. Cl.**

USPC ..... **D7/392.1**

(58) **Field of Classification Search**

CPC ..... **A47G 19/2272**

USPC ..... **D7/392.1, 510, 511; D9/447; 220/713,**

**220/212; 215/387, 388, 11.1, 41**

See application file for complete search history.

(56) **References Cited**

**U.S. PATENT DOCUMENTS**

D310,567 S *	9/1990	Fitzpatrick .....	D24/197
5,253,781 A *	10/1993	Van Melle et al. ....	220/713
D346,932 S	5/1994	Cautereels et al.	
D348,376 S *	7/1994	Rohrig .....	D7/510
D354,416 S	1/1995	Cautereels et al.	
D359,417 S *	6/1995	Chen .....	D7/510
D361,469 S *	8/1995	Young .....	D7/392.1
D364,314 S	11/1995	Humphrey et al.	
5,542,670 A	8/1996	Morano	
D397,906 S	9/1998	Briggs et al.	
5,894,952 A *	4/1999	Mendenhall et al. ....	220/713
D429,443 S	8/2000	D'Alessio	
D452,415 S *	12/2001	McDonough et al. ....	D7/510
D457,778 S *	5/2002	Randolph et al. ....	D7/392.1
D472,424 S *	4/2003	Shumway et al. ....	D7/392.1
D479,946 S	9/2003	Jalet et al.	
D484,739 S *	1/2004	Shumway et al. ....	D7/392.1
D492,883 S *	7/2004	Shumway et al. ....	D7/392.1

D509,102 S *	9/2005	Shumway et al. ....	D7/392.1
7,134,570 B1 *	11/2006	Heath et al. ....	220/717
D538,938 S *	3/2007	Pillado .....	D24/197
D561,522 S *	2/2008	Gordon .....	D7/392

(Continued)

**OTHER PUBLICATIONS**

“Sugar Booger “Vroom” Feeding Collection Sippy Cup: Baby”. Feb. 8, 2009. <[http://www.amazon.com/Sugar-Booger-Vroom-Feeding-Collection/dp/B000YYRBC2/ref=sr\\_1\\_3?ie=UTF8&qid=1385416562&sr=8-3](http://www.amazon.com/Sugar-Booger-Vroom-Feeding-Collection/dp/B000YYRBC2/ref=sr_1_3?ie=UTF8&qid=1385416562&sr=8-3)>

&keywords=sugarbooger+sippy+cup>.\*

(Continued)

*Primary Examiner* — George D Kirschbaum

*Assistant Examiner* — Kendra L Hamilton

(74) *Attorney, Agent, or Firm* — Taylor J. Ross

(57) **CLAIM**

The ornamental design for a sippy cup lid, as shown and described.

**DESCRIPTION**

FIG. 1 is a top, front perspective view showing our new design;

FIG. 2 is a top plan view thereof, the bottom being obscured during use;

FIG. 3 is a front elevation view thereof;

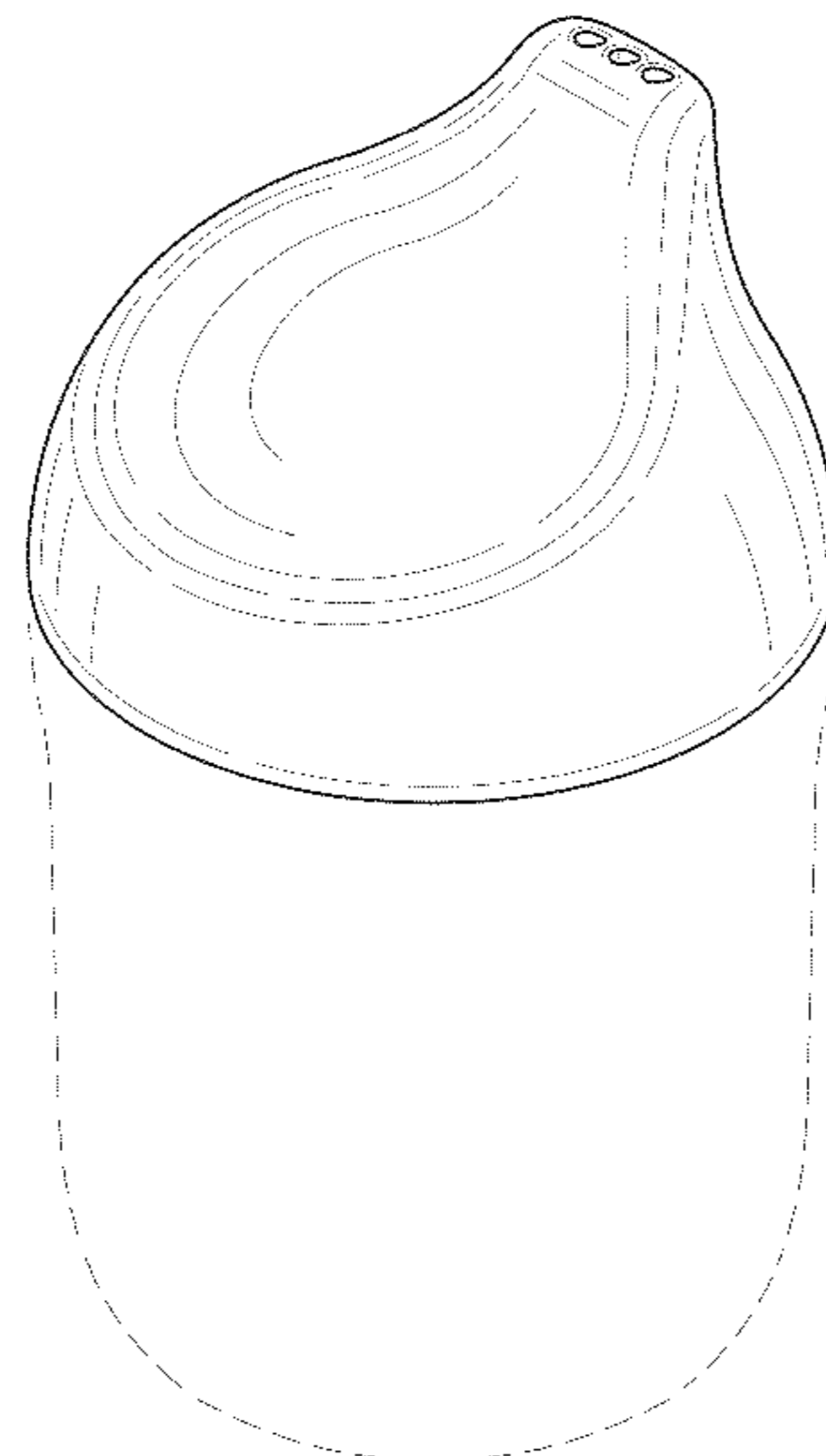
FIG. 4 is a rear elevation view thereof;

FIG. 5 is a right side elevation view thereof, the left side being a mirror image; and,

FIG. 6 is a cross-sectional view along line 6-6 of FIG. 2.

The broken line showing of the cup in FIG. 1 and FIGS. 3-6 illustrates the environment of the claimed design and forms no part thereof. The broken line showing of portions of the sippy cup lid in FIG. 6 illustrates portions of the sippy cup lid which form no part of the claimed design.

**1 Claim, 3 Drawing Sheets**



(56)

**References Cited**

U.S. PATENT DOCUMENTS

D630,510 S \* 1/2011 Yacktman ..... D9/447  
D634,196 S \* 3/2011 Giraud et al. .... D9/447  
D636,228 S \* 4/2011 Marsh ..... D7/510  
D668,502 S \* 10/2012 Sakulsacha ..... D7/392.1  
2012/0031917 A1\* 2/2012 Loging ..... 220/705  
2012/0103997 A1\* 5/2012 Schingh-Laniel ..... 220/523

OTHER PUBLICATIONS

Dugan, Elizabeth. "Giftware News: Sippin' and Steppin'". May 2012. pp. 57-58.\*  
"Sugar Booger—Sippy Cup—Bugs." theendertush.com. Web. Jul. 15, 2014.\*  
"Hedgehog Sippy Cup." oreoriginals.com. Web. Jul. 15, 2014.\*  
"Retro Robot Sippy Cup." oreoriginals.com. Web. Jul. 15, 2014.\*

\* cited by examiner

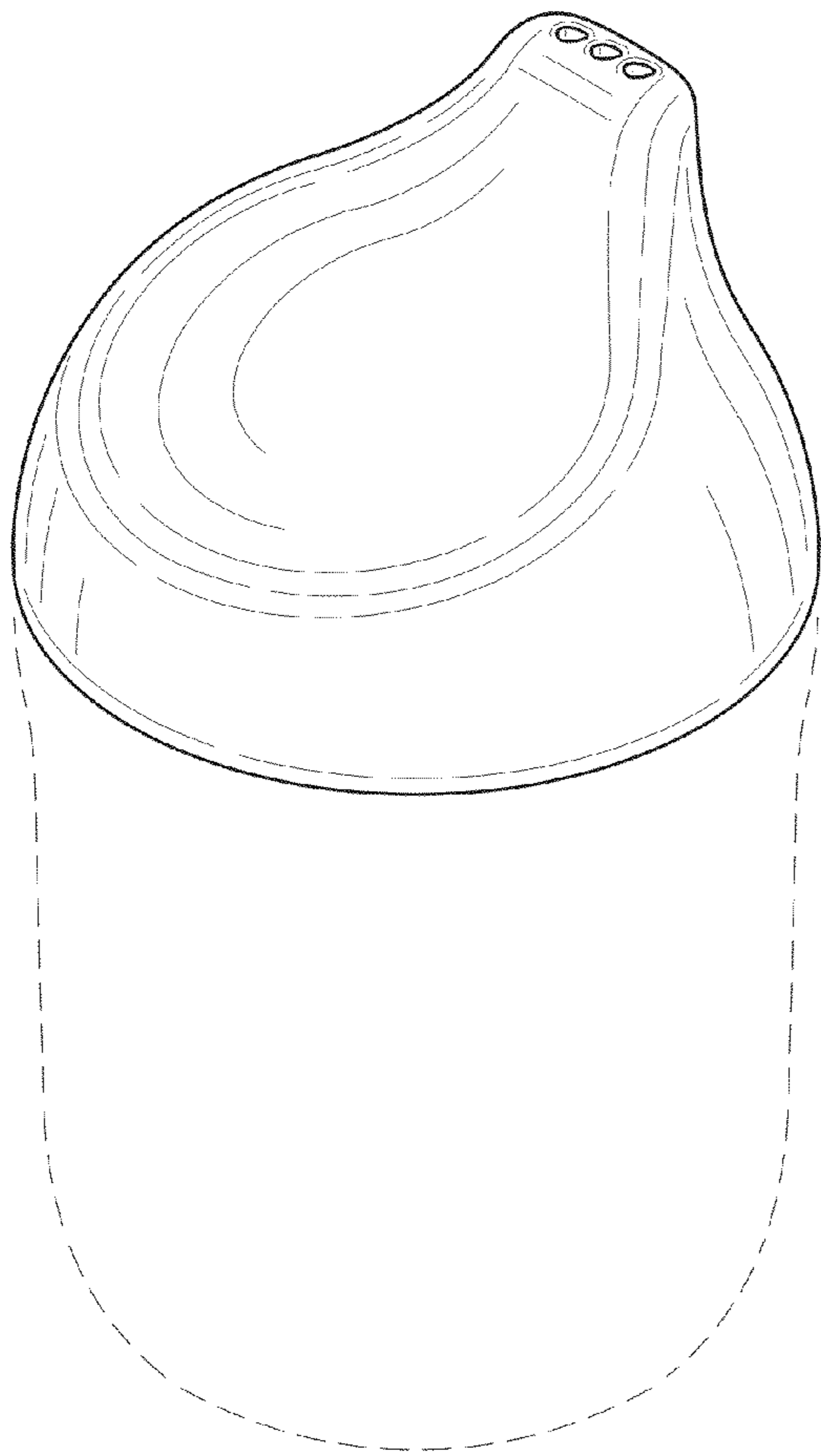
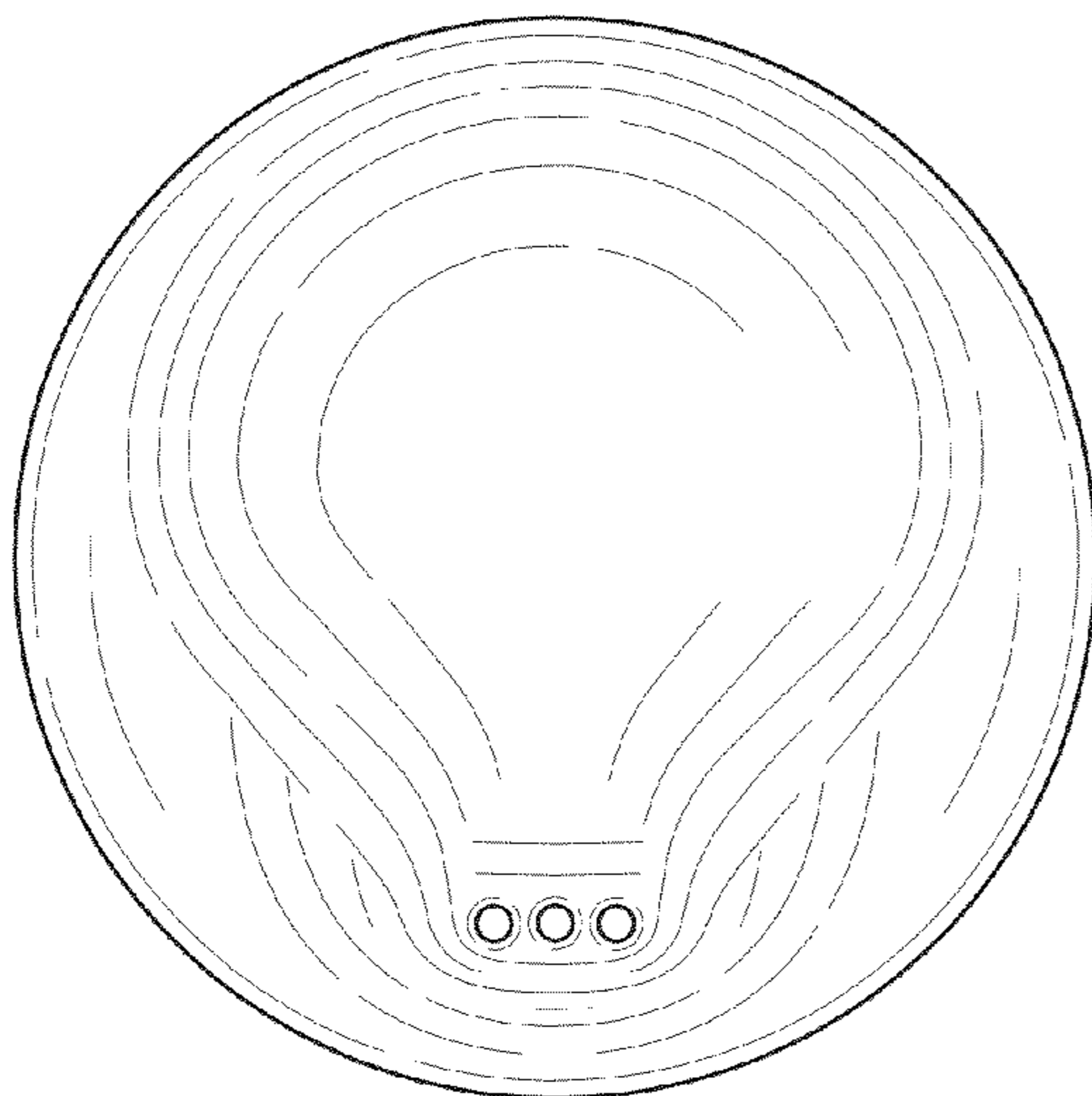


FIG. 1

6 ←



6 ←

FIG. 2

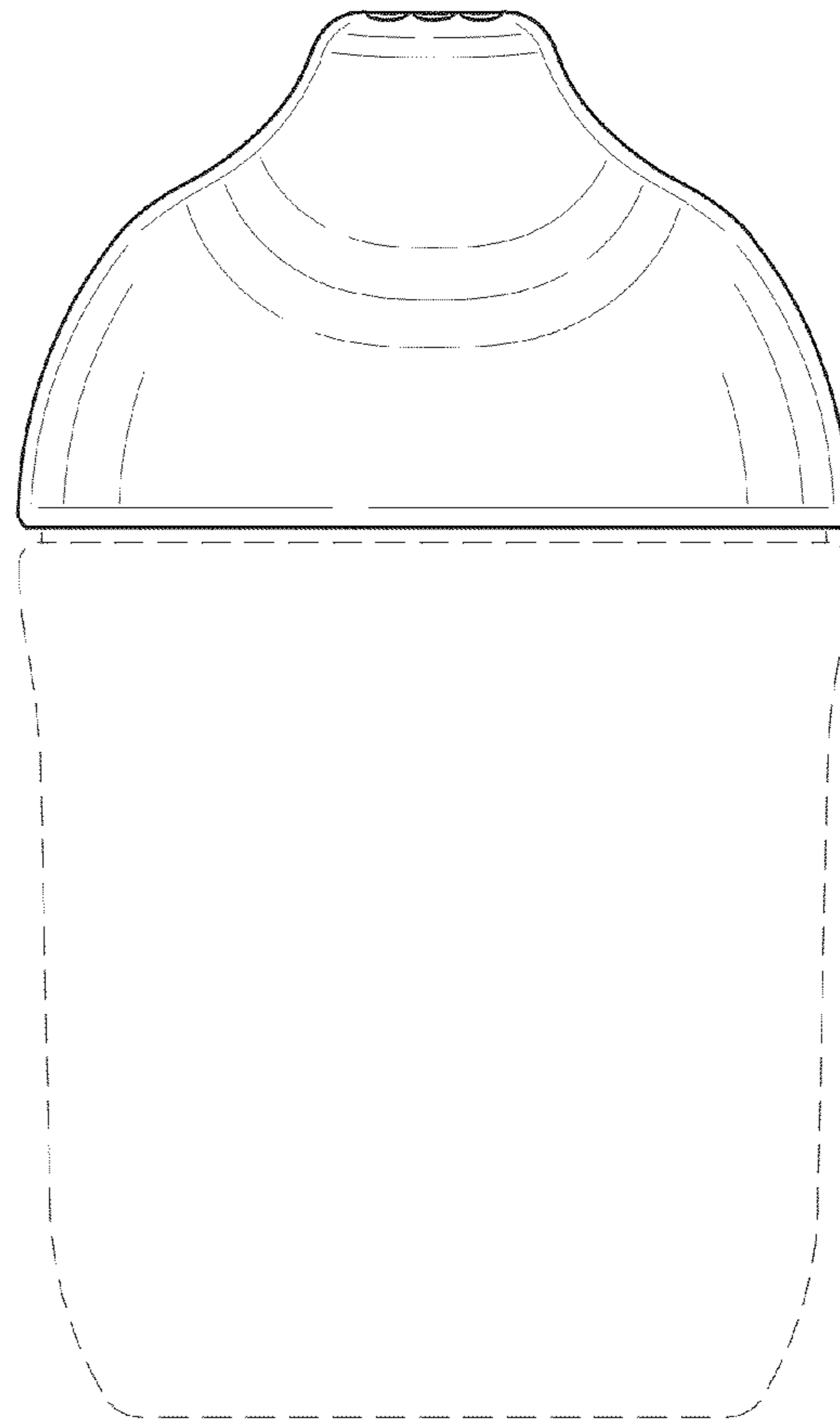


FIG. 3

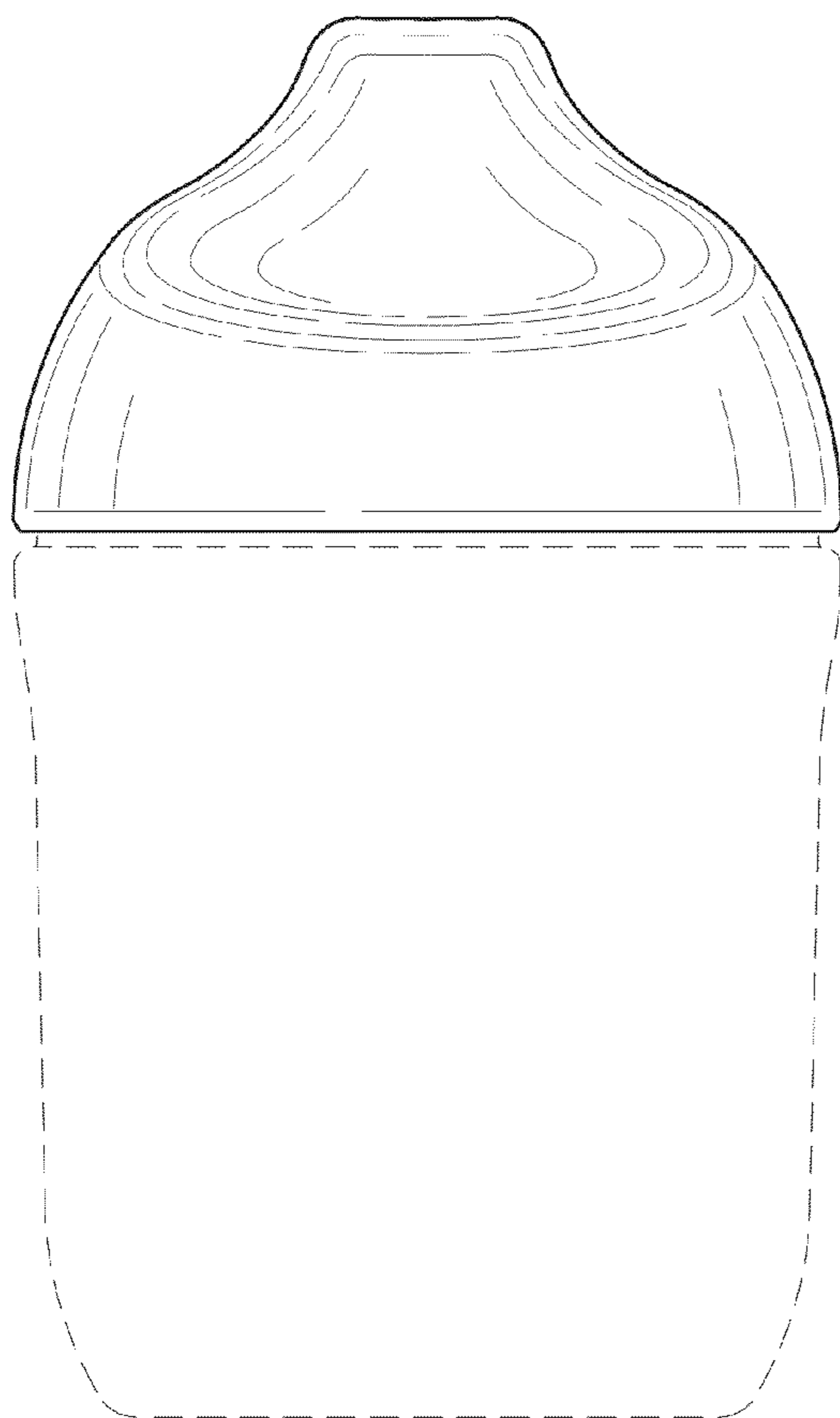


FIG. 4

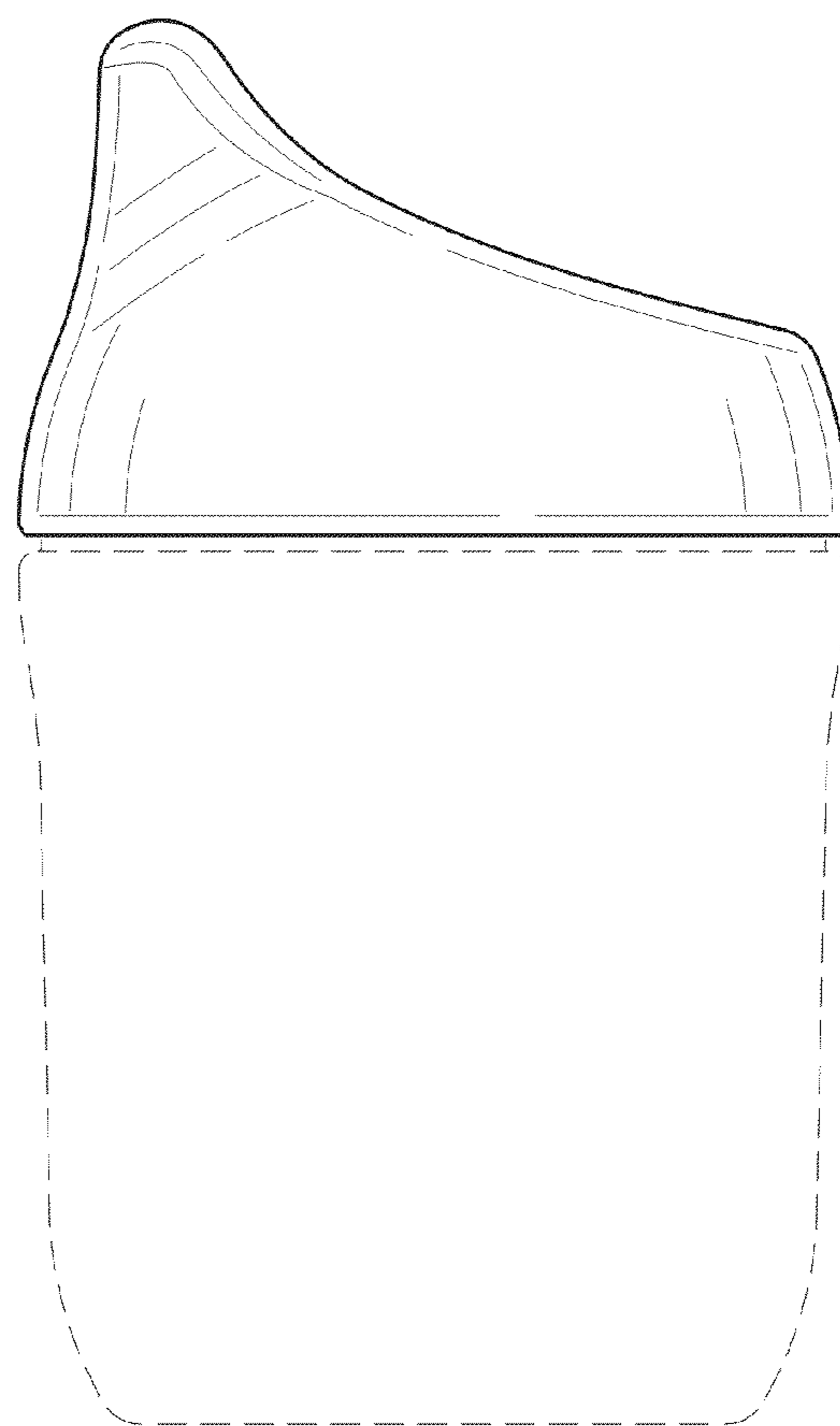
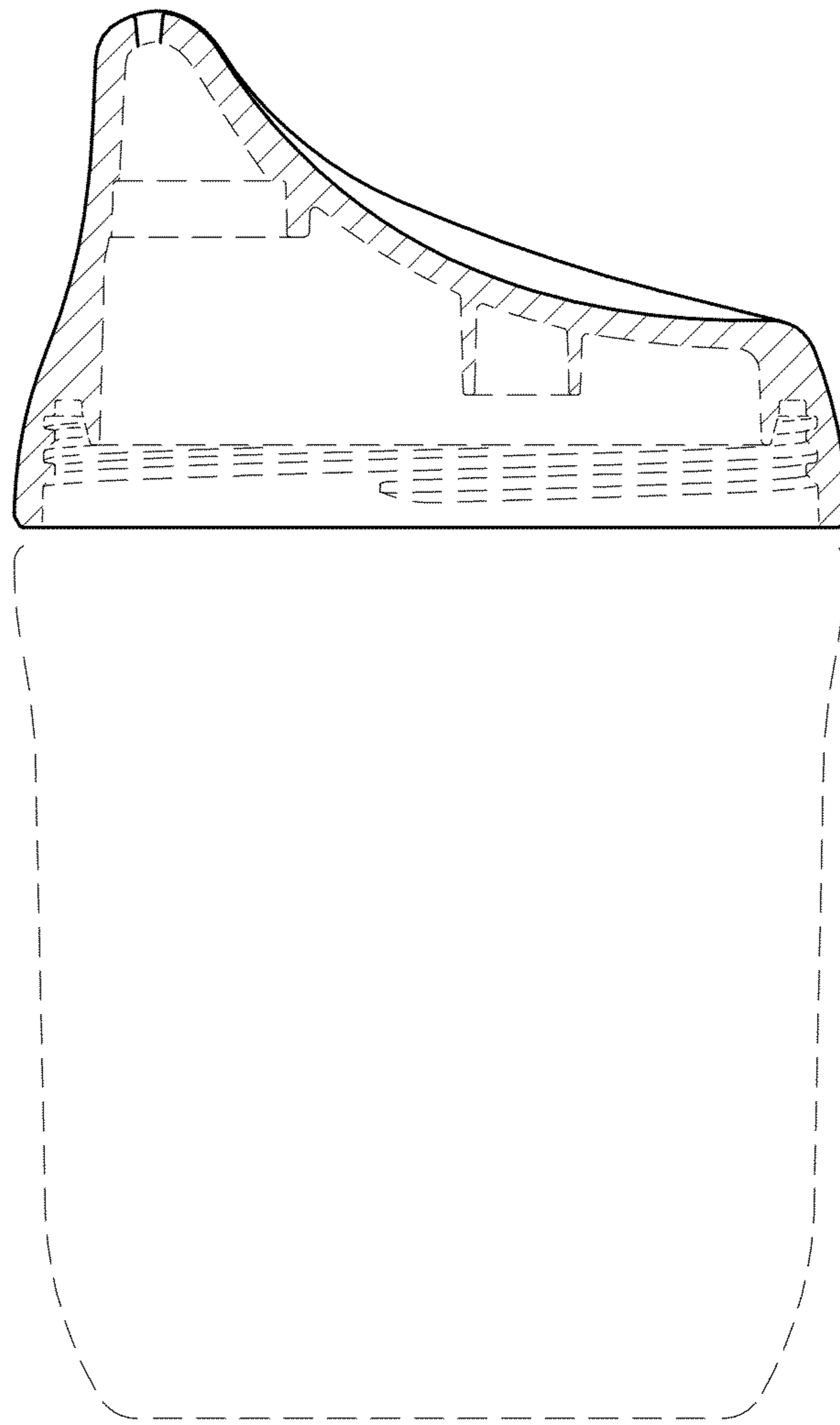


FIG. 5



*FIG. 6*