



US00D713664S

(12) **United States Design Patent**
Vetter et al.

(10) **Patent No.:** **US D713,664 S**
(45) **Date of Patent:** **** Sep. 23, 2014**

(54) **CHAIR WITH BACK SUPPORT AND SEAT**

(71) Applicant: **Mayline Company LLC**, Sheboygan, WI (US)

(72) Inventors: **Gerald L. Vetter**, Sheboygan, WI (US);
Ricky S. Behnke, Sheboygan, WI (US)

(73) Assignee: **Mayline Company LLC**, Sheboygan, WI (US)

(**) Term: **14 Years**

(21) Appl. No.: **29/442,485**

(22) Filed: **Feb. 7, 2013**

(51) **LOC (10) Cl.** **06-01**

(52) **U.S. Cl.**
USPC **D6/716**

(58) **Field of Classification Search**
CPC A47C 7/54; A47C 7/546; B60N 2/70
USPC D6/334-336, 364, 365, 366, 367, 369,
D6/374, 376, 379, 380, 716, 716.1, 716.2,
D6/716.3, 716.4; 297/284.4, 411.28,
297/452.21, 452.26, 452.29, 452.3, 452.32,
297/452.48

See application file for complete search history.

(56) **References Cited**

U.S. PATENT DOCUMENTS

D545,076 S * 6/2007 Dallmann et al. D6/366
D548,992 S * 8/2007 Koepke et al. D6/366

D558,994 S * 1/2008 Machael et al. D6/366
D570,624 S * 6/2008 Kang D6/716
D607,653 S * 1/2010 Wilkinson et al. D6/366
D654,280 S * 2/2012 Fujita D6/366
D654,710 S * 2/2012 Fujita D6/366
D654,711 S * 2/2012 Fujita D6/366
D679,107 S * 4/2013 Darrow et al. D6/366
D688,482 S * 8/2013 Choi D6/366
D690,523 S * 10/2013 Choi D6/366

OTHER PUBLICATIONS

JoJo Chair brochure; Dated Mar. 1, 2011; (2 pages).

* cited by examiner

Primary Examiner — Mimosa De

(74) *Attorney, Agent, or Firm* — Nixon Peabody LLP

(57) **CLAIM**

We claim the ornamental design for a “chair with back support and seat,” as shown and described.

DESCRIPTION

FIG. 1 is a perspective view of a front of a chair of the present invention;

FIG. 2 is a front view of the chair shown in FIG. 1;

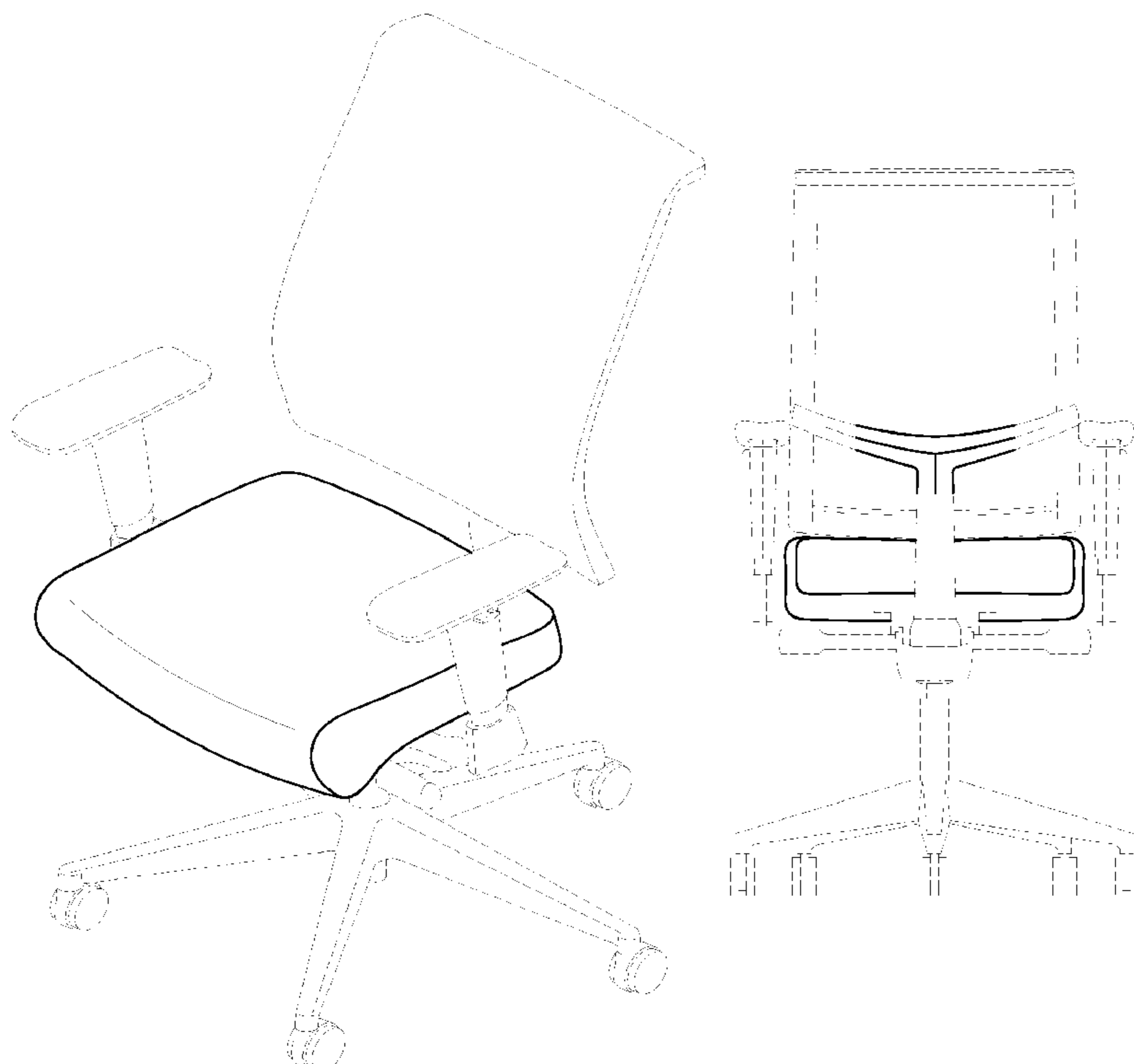
FIG. 3 is a side view of one side of the chair shown in FIG. 1;

FIG. 4 is a rear view of the chair shown in FIG. 1;

FIG. 5 is a side view of the other side of the chair shown in FIG. 1; and,

FIG. 6 is a top view of the chair shown in FIG. 1.

1 Claim, 4 Drawing Sheets



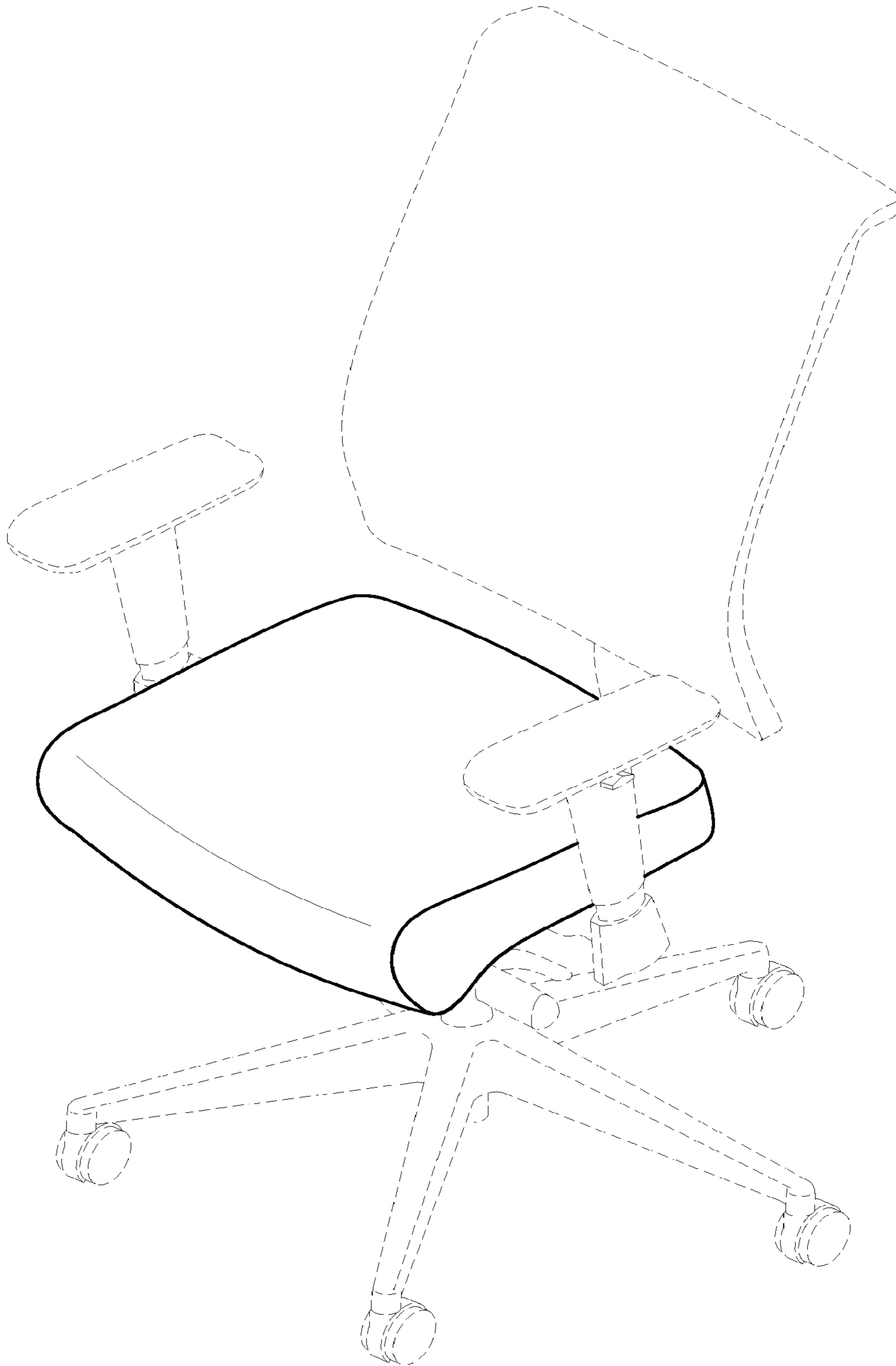


FIG. 1

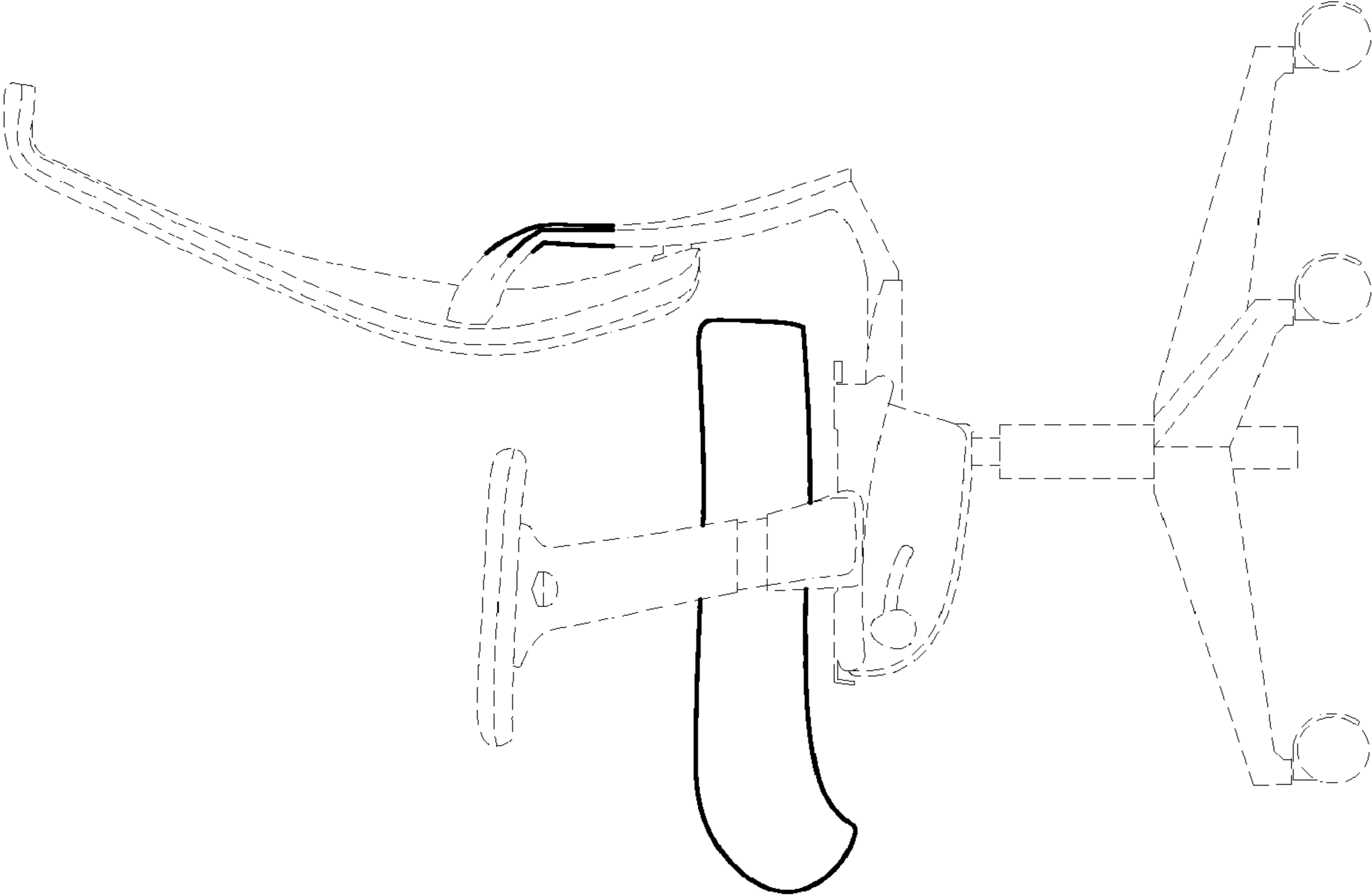


FIG. 3

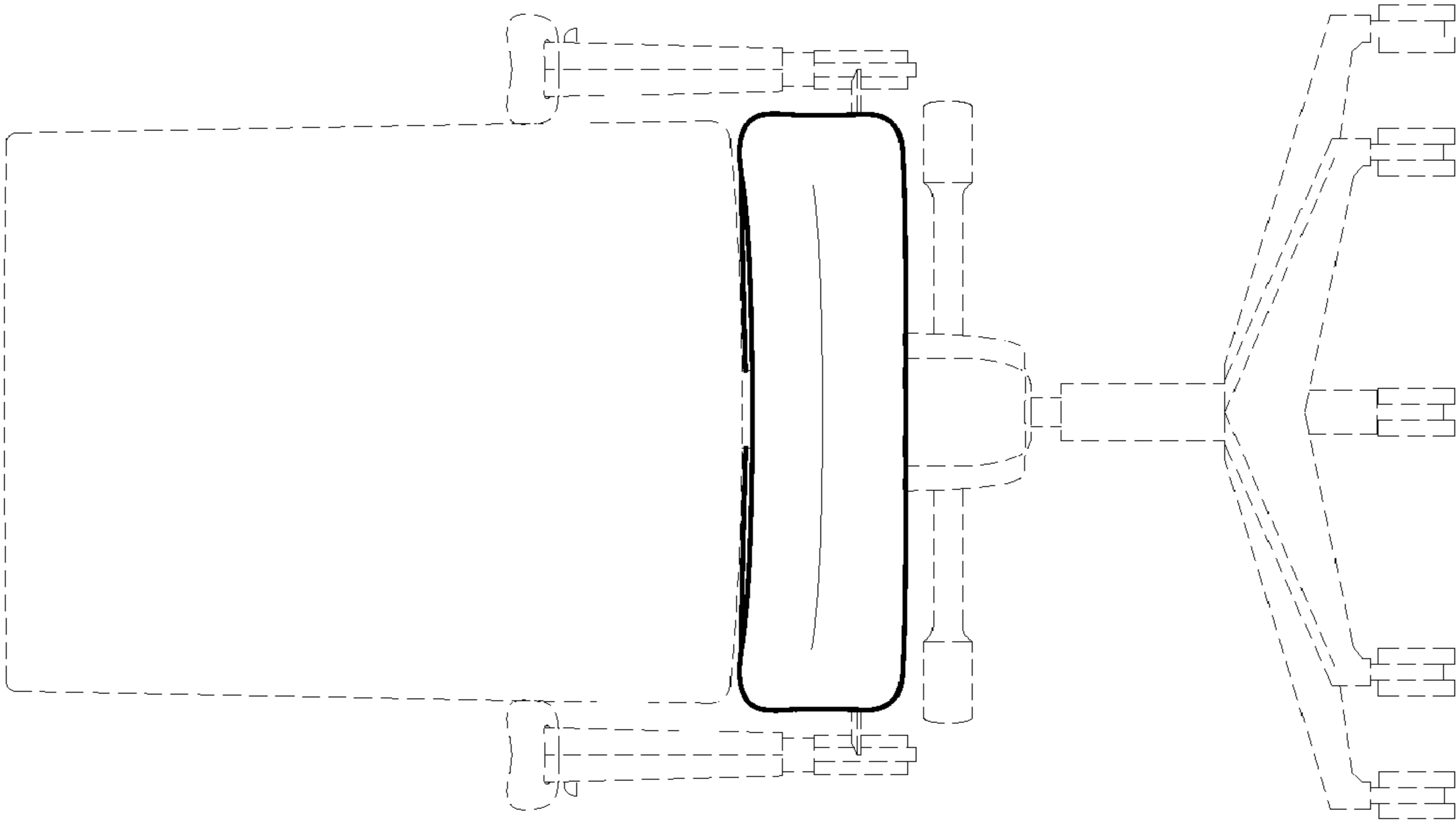


FIG. 2

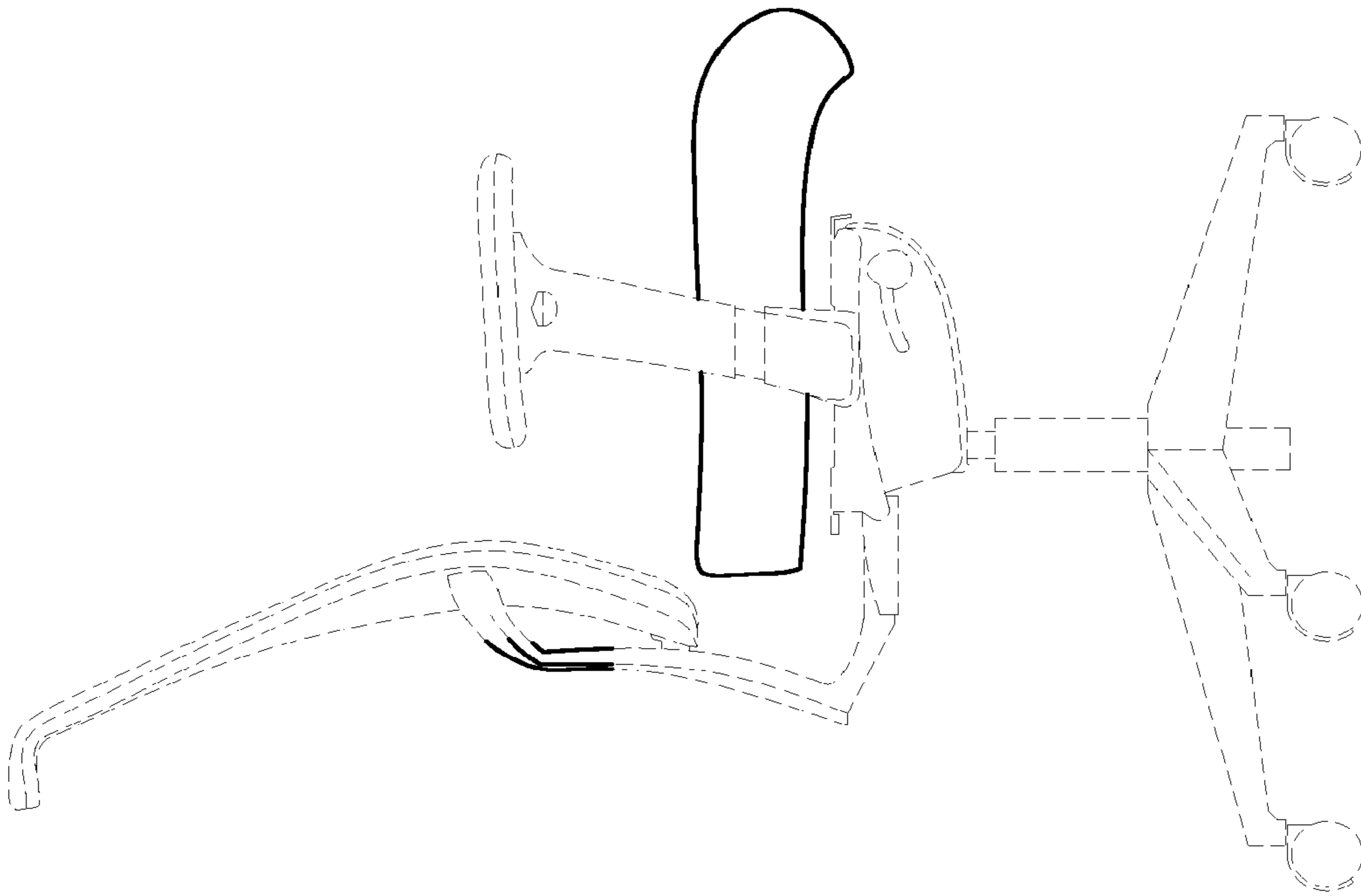


FIG. 5

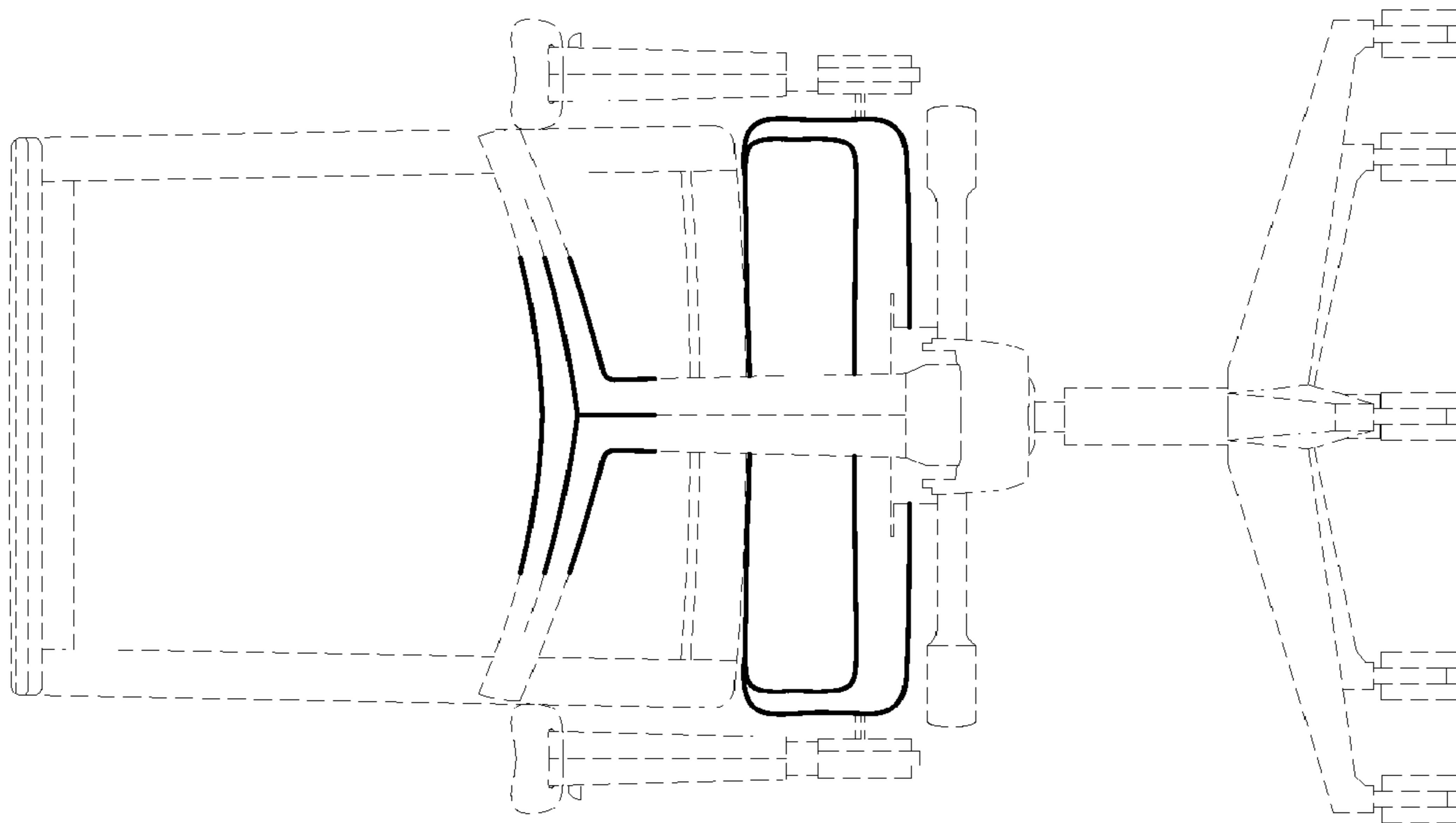


FIG. 4

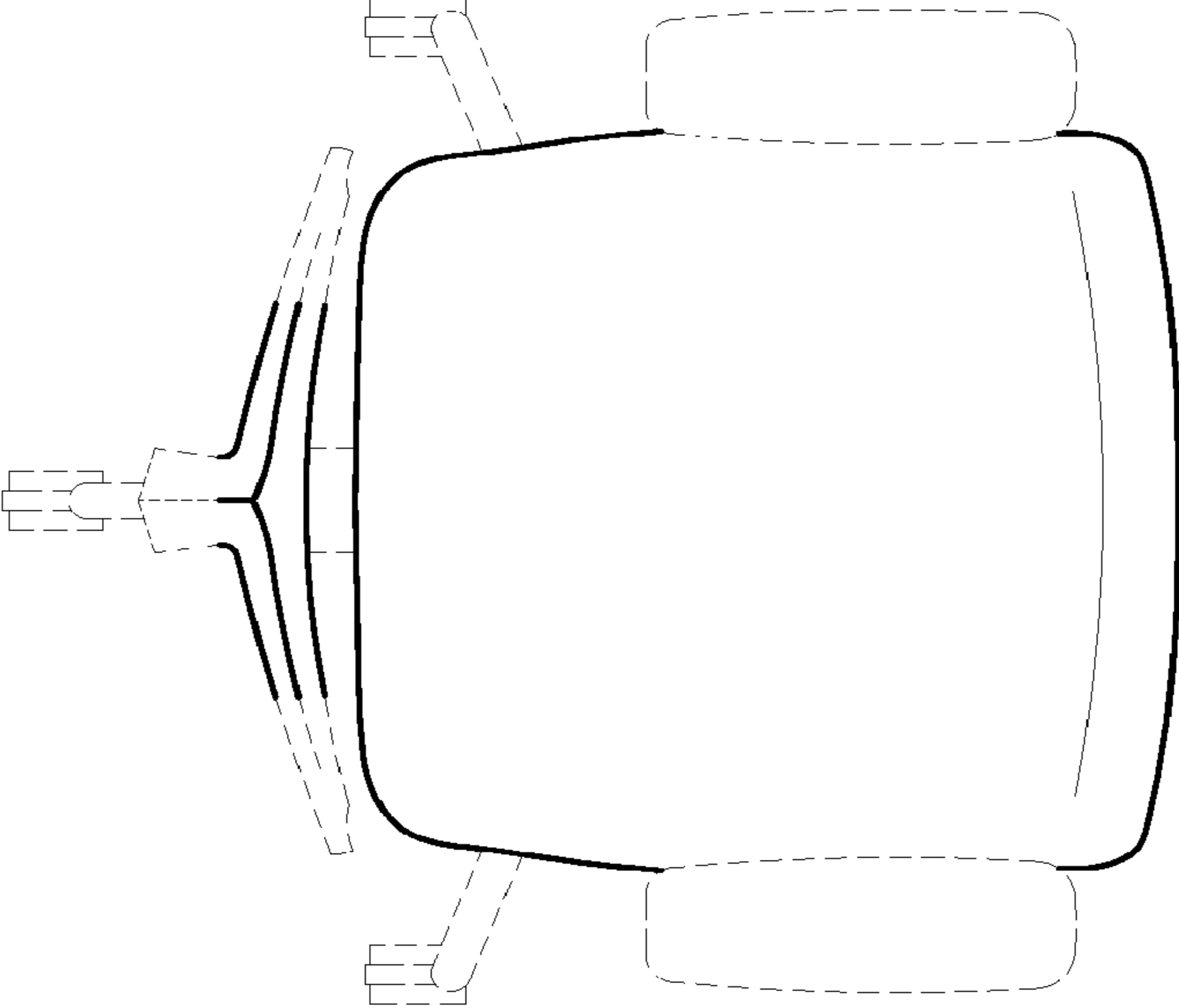


FIG. 6