



US00D713663S

(12) **United States Design Patent**
Pryor

(10) **Patent No.:** **US D713,663 S**

(45) **Date of Patent:** **** Sep. 23, 2014**

- (54) **LEG FOR DRYING RACK**
- (71) Applicant: **Mommy Genius, LLC**, Bellbrook, OH (US)
- (72) Inventor: **Anne M. Pryor**, Bellbrook, OH (US)
- (73) Assignee: **Mommy Genius, LLC**, Bellbrook, OH (US)
- (**) Term: **14 Years**

4,623,112 A	11/1986	Olson	
D292,534 S	10/1987	Basaraba	
D322,343 S	12/1991	Pearcy	
D327,589 S	7/1992	Ma	
D339,249 S	9/1993	Wu	
D361,224 S	8/1995	Stanley	
D361,914 S	9/1995	Nagy	
D369,697 S *	5/1996	Hollinger	D6/403
D369,698 S *	5/1996	Hollinger	D6/405
D372,137 S *	7/1996	Hollinger	D6/403
D385,758 S	11/1997	Hollinger	

(Continued)

- (21) Appl. No.: **29/494,612**
- (22) Filed: **Jun. 23, 2014**

Related U.S. Application Data

- (62) Division of application No. 29/482,253, filed on Feb. 17, 2014.
 - (51) **LOC (10) Cl.** **06-06**
 - (52) **U.S. Cl.**
USPC **D6/709.2**
 - (58) **Field of Classification Search**
USPC D6/455, 458, 459, 467, 462, 552,
D6/672-673, 680, 680.3, 709.2;
D32/58-59; 211/181, 163, 59.1, 37,
211/13, 175
- See application file for complete search history.

(56) **References Cited**

U.S. PATENT DOCUMENTS

1,699,935 A	1/1929	Warnes	
D184,163 S	12/1958	Bloomfield	
D242,591 S	12/1976	Hurd	
D244,419 S	5/1977	Anderson	
D250,563 S *	12/1978	Getner	D6/484
D269,843 S	7/1983	Haggard	
D270,609 S	9/1983	Haggard	
D271,913 S	12/1983	Nanfito et al.	
4,463,853 A	8/1984	Licari et al.	

OTHER PUBLICATIONS

Mommy Genius, LLC, "The Mommy Genius Drying Rack—Dry or Display Just About Anything!", located at <http://web.archive.org/web/20120502093900/http://www.mommygenius.com/>, May 2, 2012.

(Continued)

Primary Examiner — Kelley Donnelly

(74) *Attorney, Agent, or Firm* — Thomas E. Lees, LLC

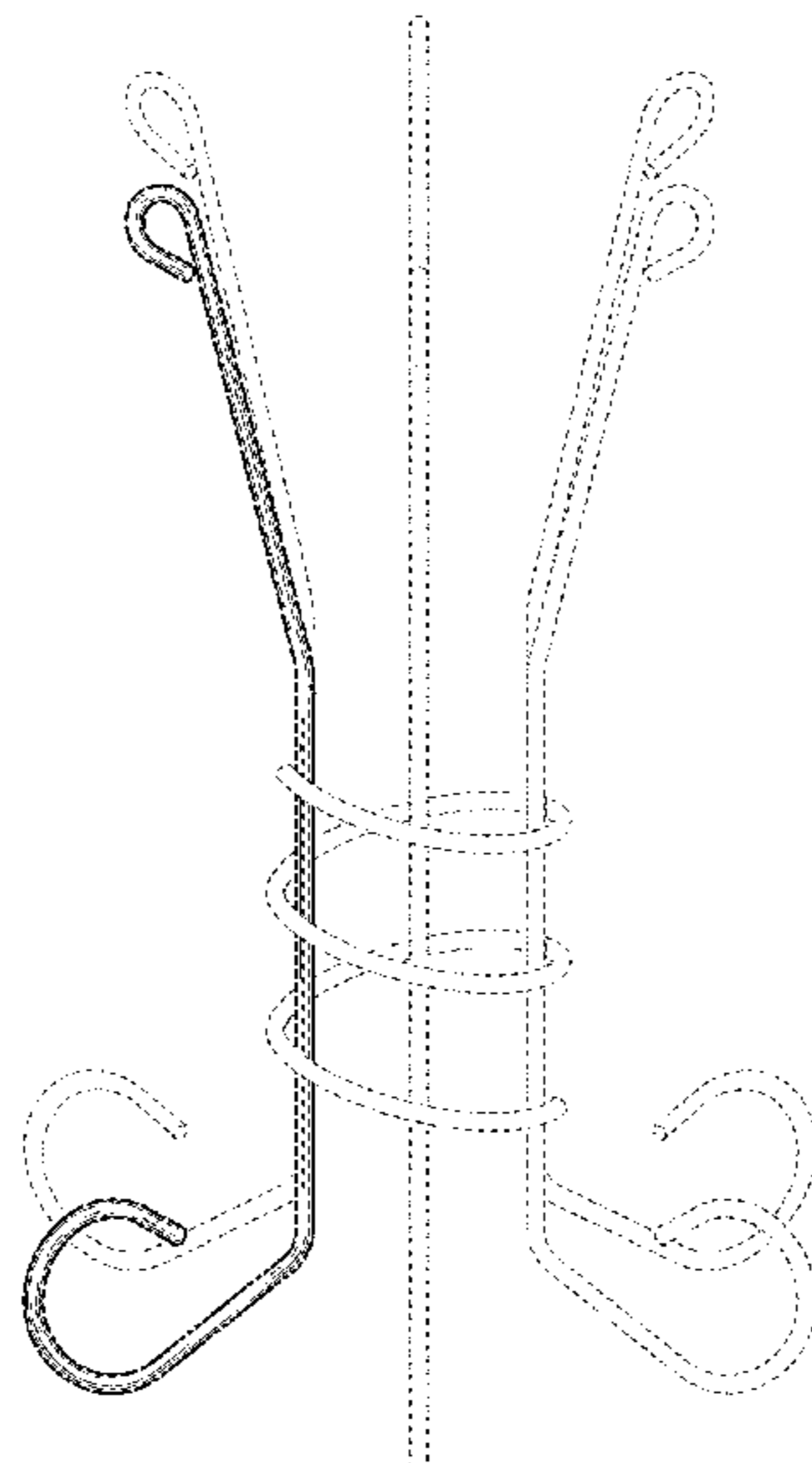
(57) **CLAIM**

The ornamental design for a leg for drying rack, as shown and described.

DESCRIPTION

FIG. 1 is a perspective view of an embodiment of a leg for a drying rack;
 FIG. 2 is a left side view of the leg for the drying rack of FIG. 1, where the right side view is a mirror image of the left side view;
 FIG. 3 is a perspective view of the leg for the drying rack of FIG. 1;
 FIG. 4 is a top view of the leg for the drying rack of FIG. 1; and,
 FIG. 5 is a bottom view of the leg for the drying rack of FIG. 1.

1 Claim, 3 Drawing Sheets



(56)

References Cited

U.S. PATENT DOCUMENTS

D386,363 S 11/1997 Dardashti
 D391,812 S 3/1998 Shafa
 D392,140 S 3/1998 Goodman
 D393,549 S * 4/1998 Marinos D6/403
 D393,783 S 4/1998 Goodman
 5,833,080 A 11/1998 Donne
 D401,819 S 12/1998 Doret, Jr.
 D403,212 S 12/1998 Doret, Jr.
 D404,980 S 2/1999 Goodman
 D424,913 S 5/2000 Goodman et al.
 D434,619 S 12/2000 Janis
 D450,225 S 11/2001 Walters-Dowding et al.
 D463,158 S * 9/2002 Lu D6/403
 D468,553 S 1/2003 Nunes
 D470,683 S 2/2003 Nunes
 D479,776 S * 9/2003 Rosenberg D6/403
 D484,330 S 12/2003 Hayes
 D485,449 S * 1/2004 Missry D6/405
 D497,494 S * 10/2004 Tseng D6/403
 D526,168 S 8/2006 Goodman et al.
 D547,621 S 7/2007 Ku
 D558,462 S 1/2008 Mattioli
 D559,008 S * 1/2008 Knight D6/403
 D571,518 S * 6/2008 Waldman D34/6

D612,301 S 3/2010 Porter et al.
 7,793,793 B1 9/2010 Sykes
 D648,957 S 11/2011 Cute
 D680,384 S 4/2013 Tsai
 D681,380 S 5/2013 Lien
 D687,203 S 7/2013 Long et al.
 D692,722 S 11/2013 Maher
 D696,908 S 1/2014 Hsu
 D698,606 S * 2/2014 Tsai D7/600.2
 D699,486 S 2/2014 Huang et al.

OTHER PUBLICATIONS

She's Country, "She's Country—Mitten or Boot Dryer: Oxford Mitten Dryer", <http://shes-country.com/products/oxford-mitten-or-boot-dryer>, downloaded Jan. 13, 2014.
 McCormick, Jim, "Wine and Vine Things—Bottle Dryers", <http://www.wineandvinethings.com/dryers1.html>, Mar. 12, 2012 (dated located through <https://web.archive.org/web/20120312171319/http://www.wineandvinethings.com/dryers1.html>).
 Farmhouse Wares, "Rustic Glass Dryer Rack", <http://www.farmhousewares.com/rusticglassdryerrack.aspx>, Mar. 16, 2012 (date located through <https://web.archive.org/web/20120316032403/http://www.farmhousewares.com/rusticglassdryerrack.aspx>).

* cited by examiner

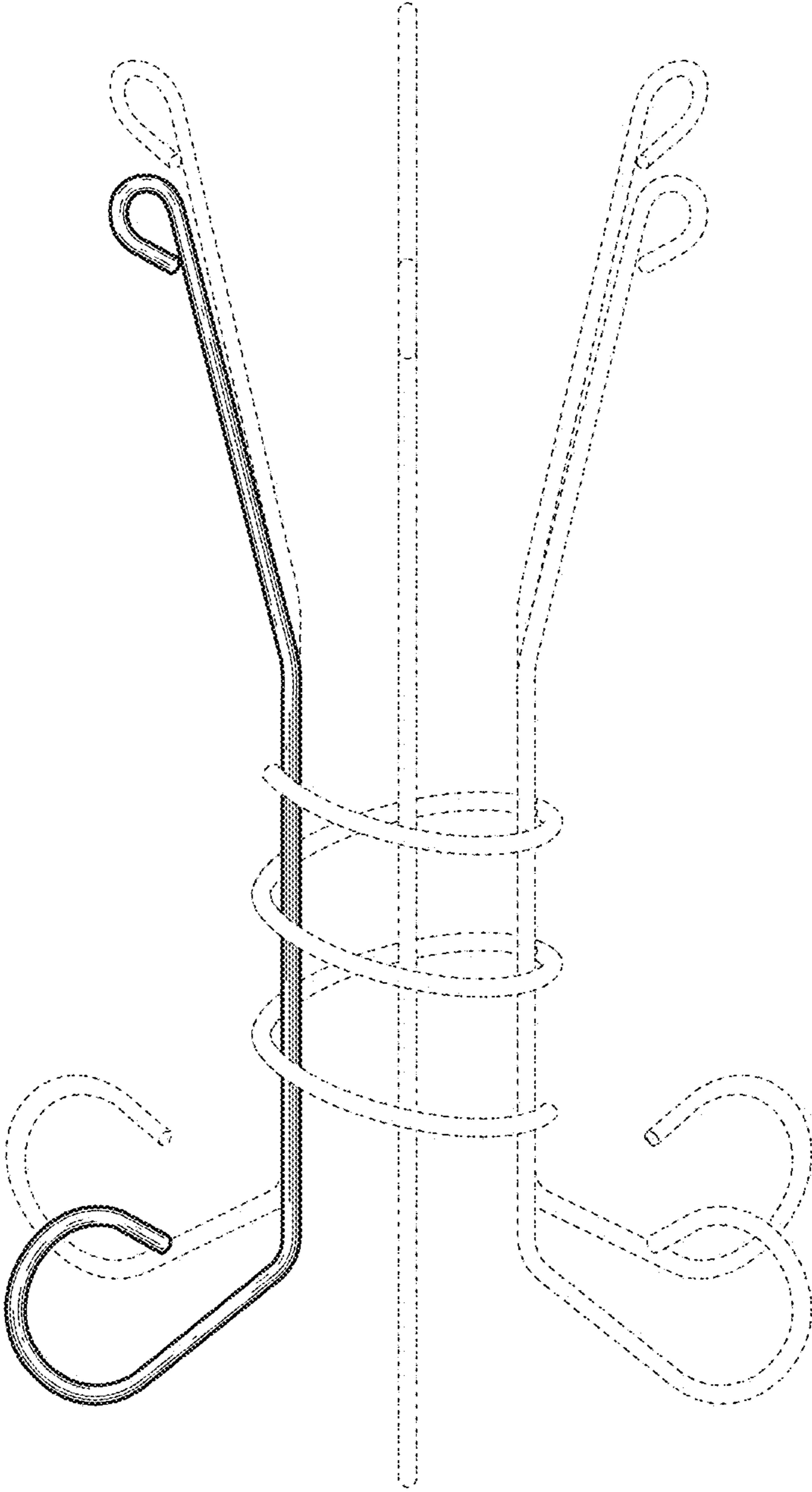


FIG. 1

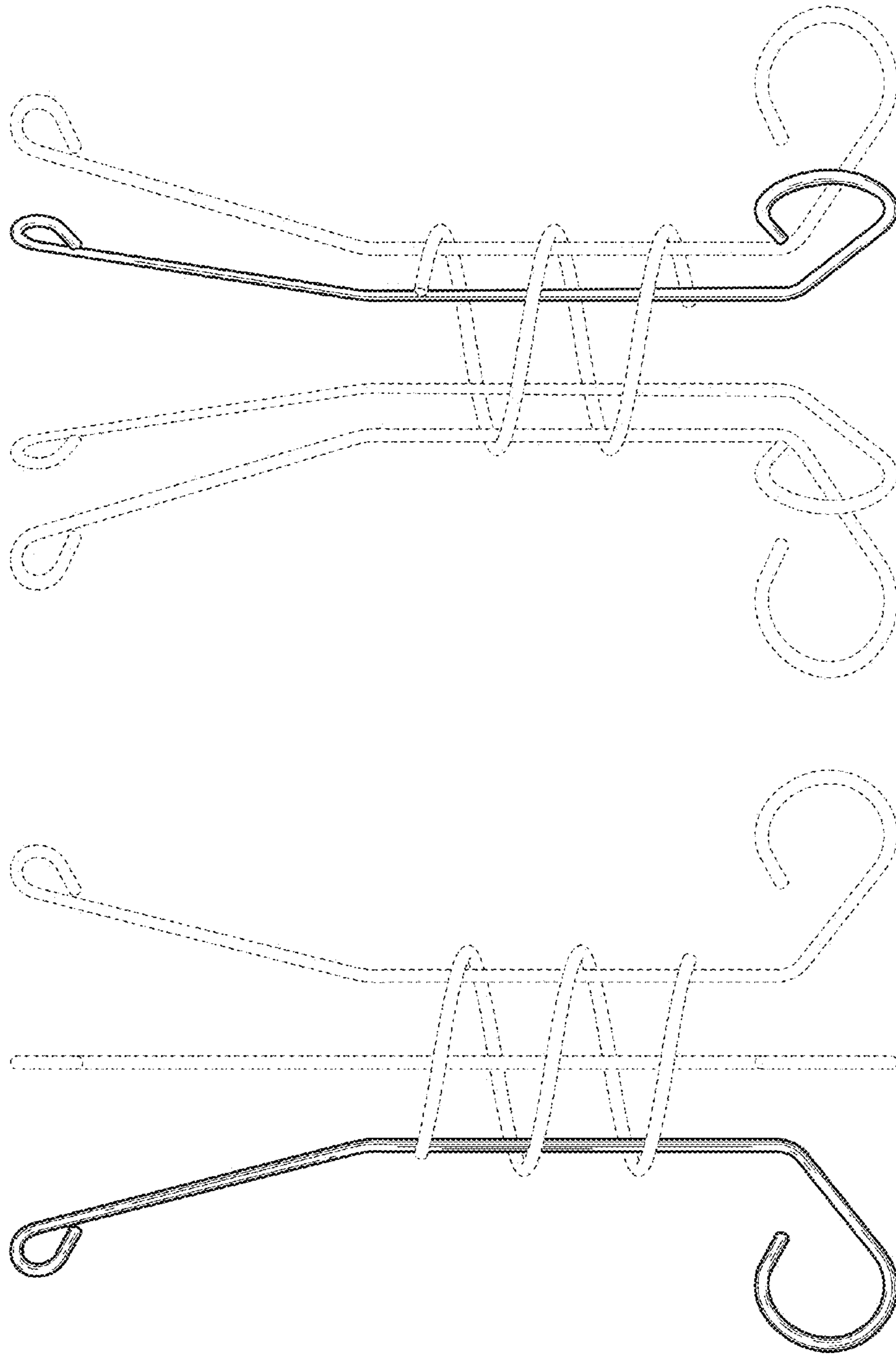


FIG. 3

FIG. 2

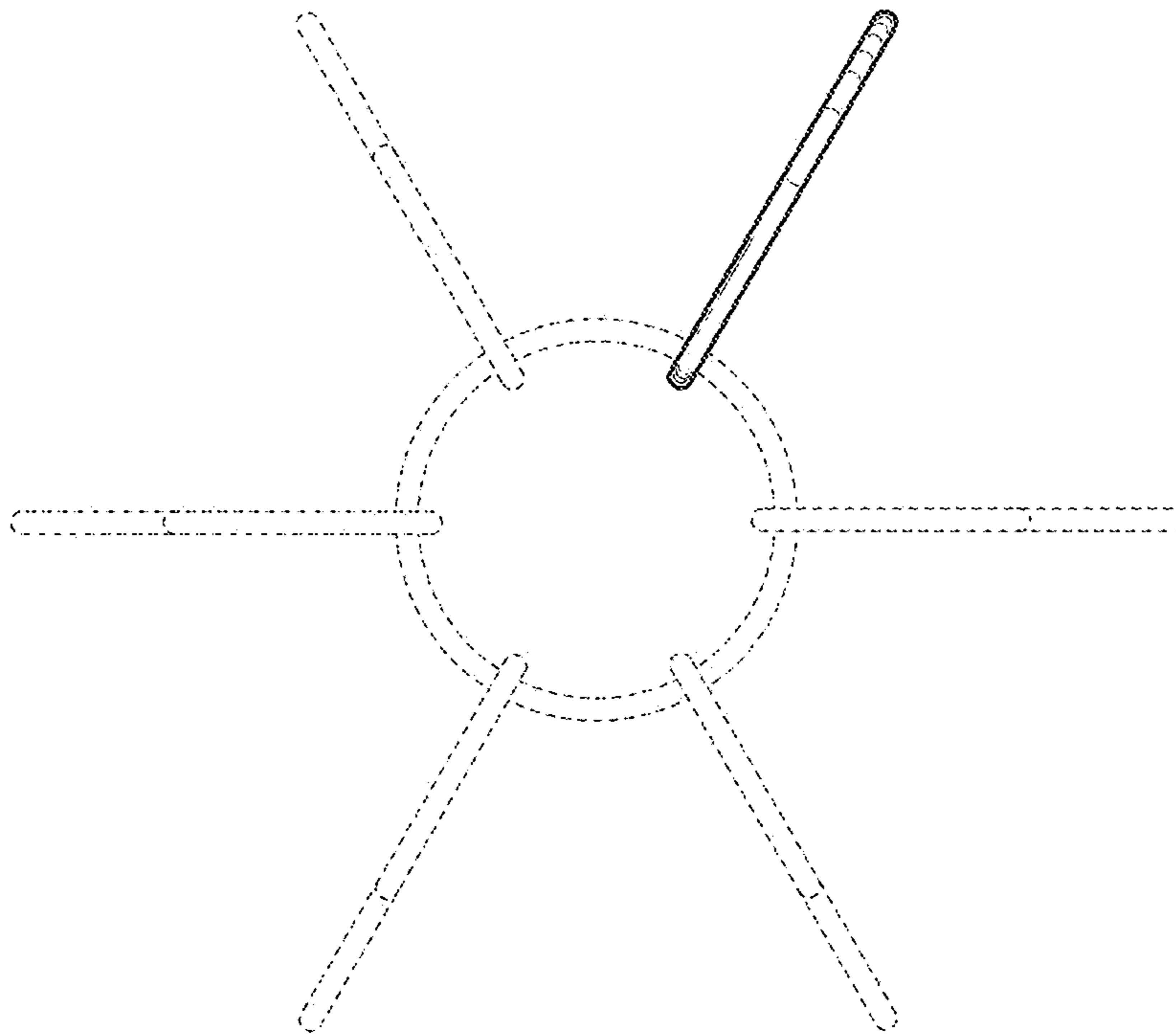


FIG. 5

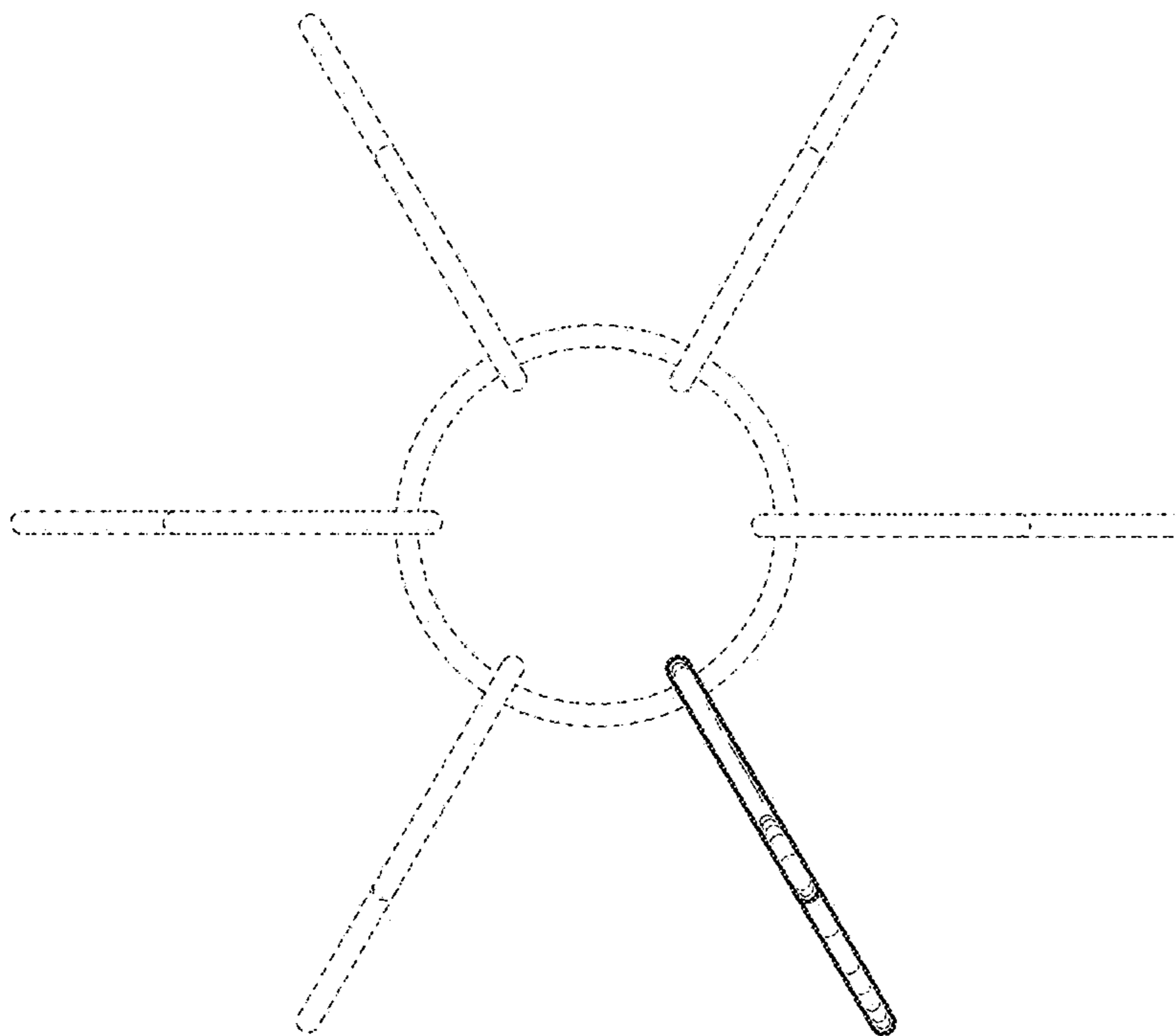


FIG. 4