



US00D713662S

(12) **United States Design Patent**  
**Byrne et al.**

(10) **Patent No.:** **US D713,662 S**  
(45) **Date of Patent:** **\*\* Sep. 23, 2014**

(54) **TABLE DIVIDER**

(71) Applicants: **Norman R. Byrne**, Ada, MI (US);  
**Daniel P. Byrne**, Lowell, MI (US);  
**Timothy J. Warwick**, Sparta, MI (US);  
**Brent A. Reame**, Grand Rapids, MI  
(US); **William F. Schacht**, Grand  
Rapids, MI (US); **Chad Zimmerman**,  
Hastings, MI (US)

(72) Inventors: **Norman R. Byrne**, Ada, MI (US);  
**Daniel P. Byrne**, Lowell, MI (US);  
**Timothy J. Warwick**, Sparta, MI (US);  
**Brent A. Reame**, Grand Rapids, MI  
(US); **William F. Schacht**, Grand  
Rapids, MI (US); **Chad Zimmerman**,  
Hastings, MI (US)

(\*\*) Term: **14 Years**

(21) Appl. No.: **29/483,504**

(22) Filed: **Feb. 28, 2014**

**Related U.S. Application Data**

(62) Division of application No. 29/456,781, filed on Jun. 4,  
2013, now Pat. No. Des. 702,069.

(51) **LOC (10) Cl.** ..... **06-06**

(52) **U.S. Cl.**  
USPC ..... **D6/706**

(58) **Field of Classification Search**  
USPC ..... D6/491, 492, 505, 509-511, 706;  
108/60; 206/561-564; 211/59.4,  
211/183-184; 312/348.3

See application file for complete search history.

(56) **References Cited**

**U.S. PATENT DOCUMENTS**

D202,779 S 11/1965 Rosenbaum  
D240,585 S \* 7/1976 Kaplan ..... D8/374

(Continued)

**OTHER PUBLICATIONS**

Co-pending parent application as filed, Design U.S. Appl. No.  
29/456,781, filed Jun. 4, 2013.

*Primary Examiner* — Kelley Donnelly

(74) *Attorney, Agent, or Firm* — Gardner, Linn, Burkhardt &  
Flory, LLP

(57) **CLAIM**

The ornamental design for a table divider, as shown and  
described.

**DESCRIPTION**

FIG. 1 is a first embodiment of a table divider showing our  
new design;

FIG. 2 is a top plan view of the table divider of FIG. 1;

FIG. 3 is a right side elevation of the table divider of FIG. 1;

FIG. 4 is a left side elevation of the table divider of FIG. 1;

FIG. 5 is a front end elevation of the table divider of FIG. 1;

FIG. 6 is a rear end elevation of the table divider of FIG. 1;

FIG. 7 is a perspective view of the table divider of FIG. 1, in  
which certain unclaimed structure has been omitted for clar-  
ity;

FIG. 8 is a second embodiment of a table divider showing our  
new design;

FIG. 9 is a top plan view of the table divider of FIG. 8;

FIG. 10 is a right side elevation of the table divider of FIG. 8;

FIG. 11 is a left side elevation of the table divider of FIG. 8;

FIG. 12 is a front end elevation of the table divider of FIG. 8;

FIG. 13 is a rear end elevation of the table divider of FIG. 8;

FIG. 14 is a perspective view of the table divider of FIG. 8, in  
which certain unclaimed structure has been omitted for clar-  
ity;

FIG. 15 is a third embodiment of a table divider showing our  
new design;

FIG. 16 is a top plan view of the table divider of FIG. 15;

FIG. 17 is a right side elevation of the table divider of FIG. 15;

FIG. 18 is a left side elevation of the table divider of FIG. 15;

FIG. 19 is a front end elevation of the table divider of FIG. 15;

FIG. 20 is a rear end elevation of the table divider of FIG. 15;

FIG. 21 is a fourth embodiment of a table divider showing our  
new design;

FIG. 22 is a top plan view of the table divider of FIG. 21;

FIG. 23 is a right side elevation of the table divider of FIG. 21;

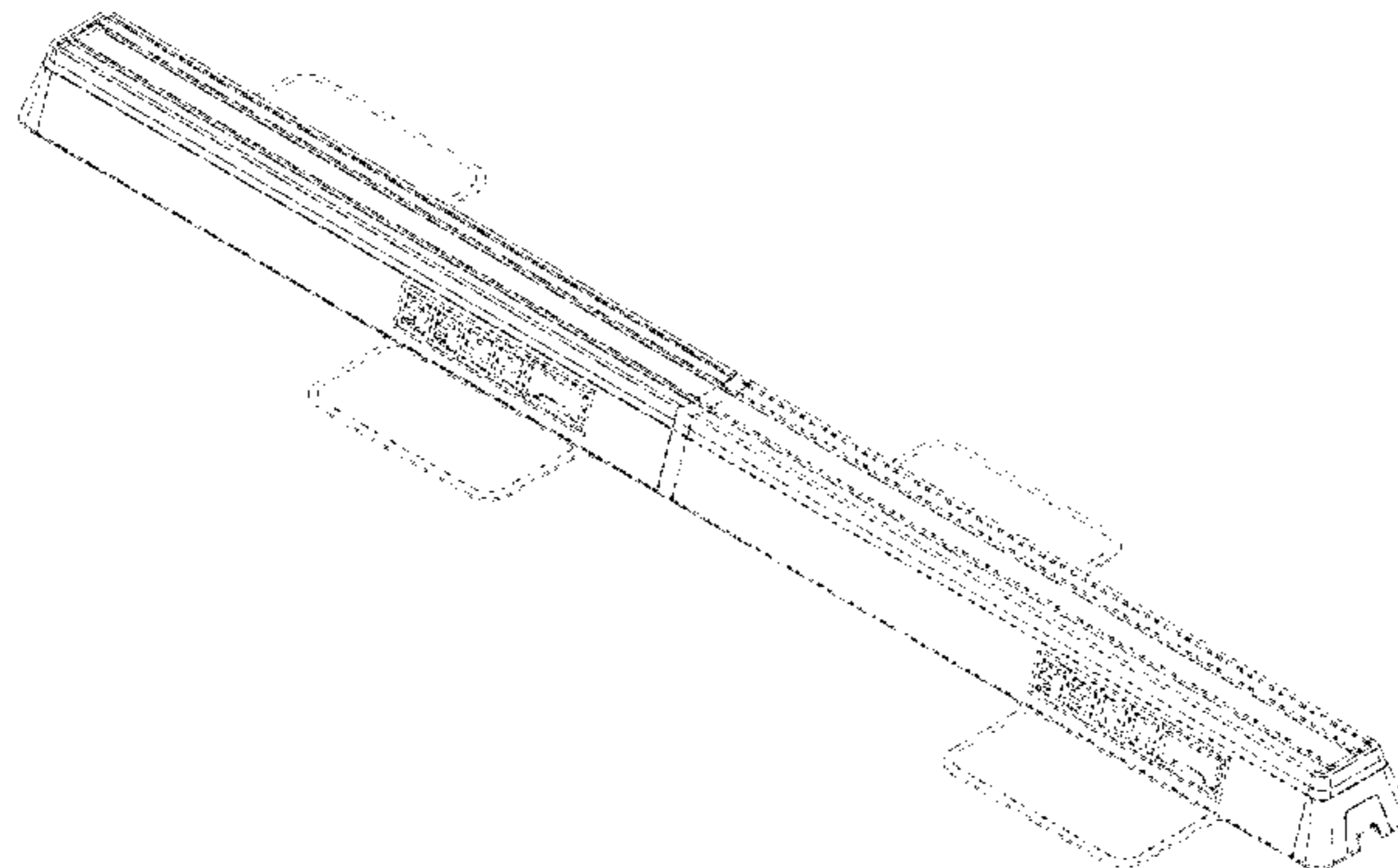
FIG. 24 is a left side elevation of the table divider of FIG. 21;

FIG. 25 is a front end elevation of the table divider of FIG. 21;

and,

FIG. 26 is a rear end elevation of the table divider of FIG. 21.

**1 Claim, 10 Drawing Sheets**



(56)

References Cited

U.S. PATENT DOCUMENTS

D247,085 S *	1/1978	Stoddard	.....	D6/328	D535,257 S	1/2007	Byrne	
D275,921 S	10/1984	Ward			D537,325 S	2/2007	Wolff et al.	
4,488,653 A	12/1984	Belokin			D554,978 S *	11/2007	Radke	..... D8/354
D322,255 S	12/1991	Prados			D568,706 S *	5/2008	Weiby	..... D8/72
D323,452 S *	1/1992	Stumpf et al.	.....	D8/381	D592,945 S	5/2009	Mahan	
5,341,945 A *	8/1994	Gibson	.....	211/184	D599,193 S *	9/2009	Meyer et al.	..... D8/354
D405,416 S	2/1999	Byrne			D615,389 S *	5/2010	Shinozaki	..... D8/381
D407,374 S	3/1999	Byrne			7,736,178 B2	6/2010	Byrne	
D412,698 S	8/1999	Byrne			D629,987 S *	12/2010	D'Ulisse	..... D32/58
D420,327 S	2/2000	Byrne			D651,433 S	1/2012	Le et al.	
6,379,182 B1	4/2002	Byrne			D659,449 S	5/2012	Lawson	
D495,539 S	9/2004	Sjoberg			D682,213 S	5/2013	Byrne et al.	
D513,970 S	1/2006	Sterling et al.			8,444,425 B2	5/2013	Byrne	
D520,862 S *	5/2006	Munson et al.	.....	D8/354	D700,793 S *	3/2014	Marinelli	..... D6/675
					2006/0278792 A1 *	12/2006	Cote	..... 248/317
					2011/0089768 A1	4/2011	Byrne et al.	

\* cited by examiner

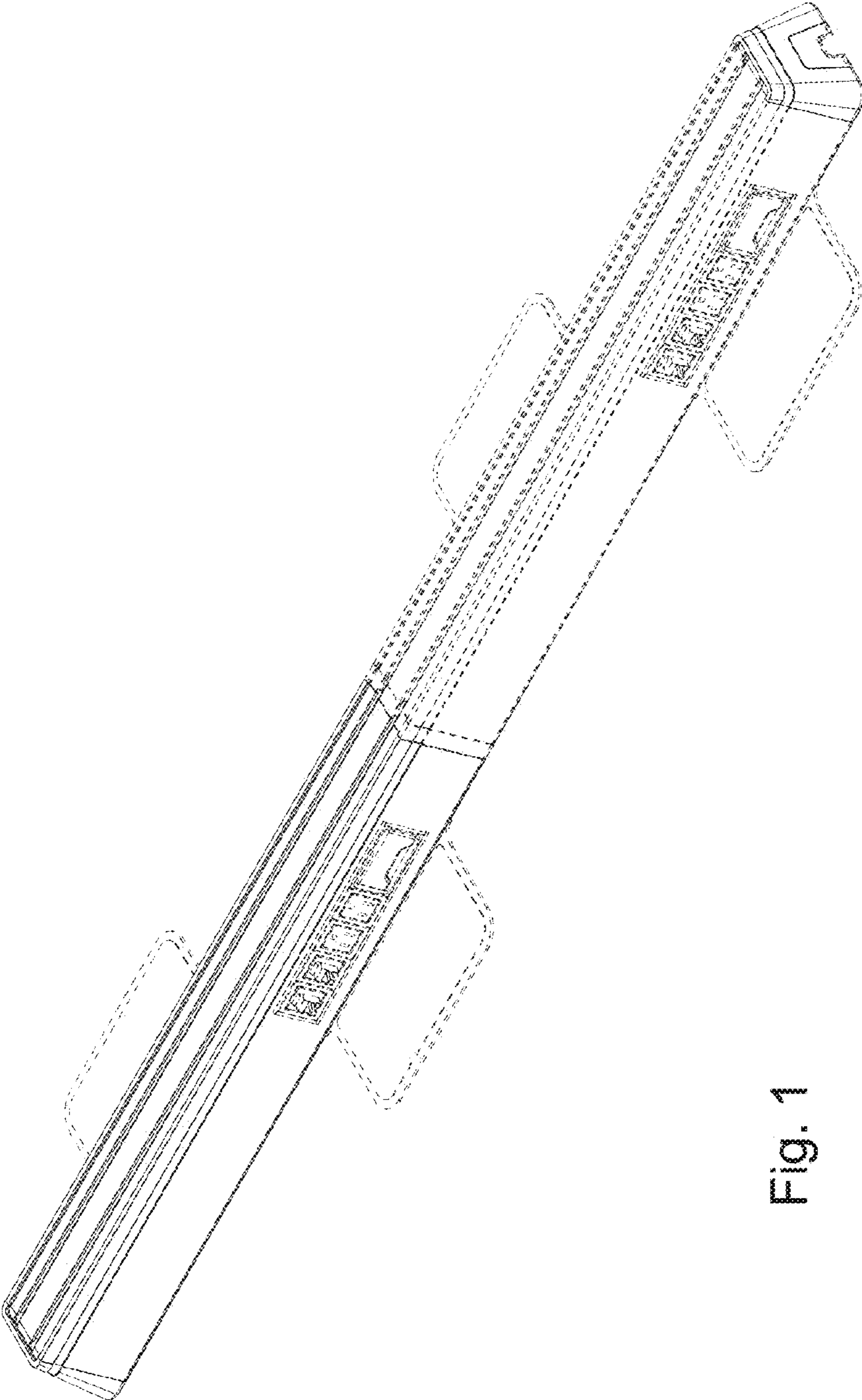


Fig. 1

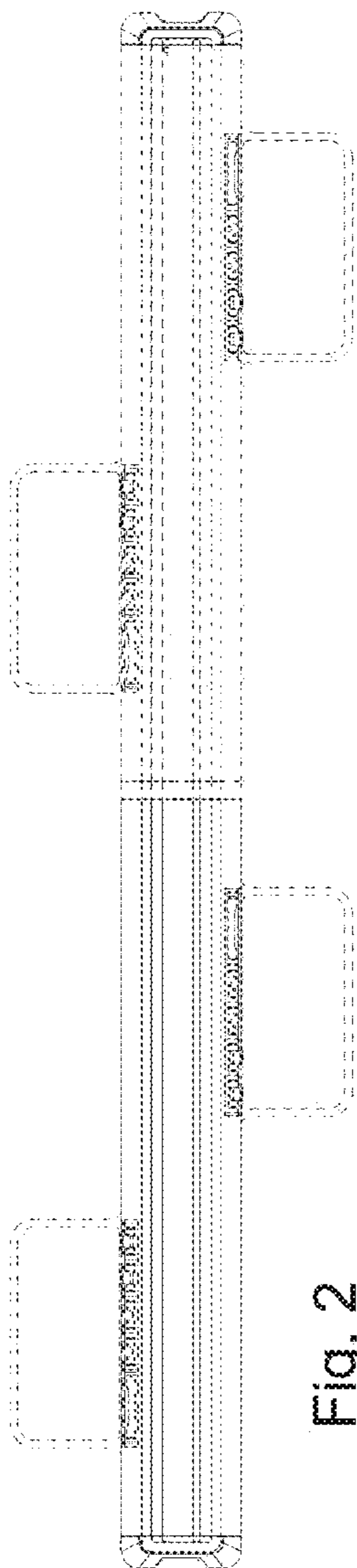


Fig. 2



Fig. 3

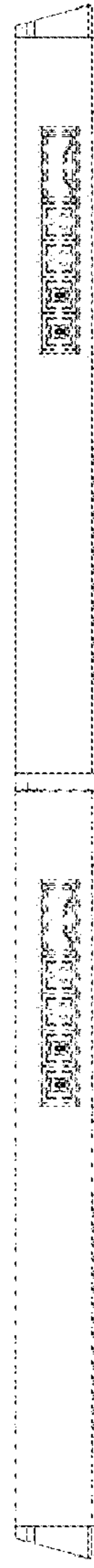


Fig. 4



Fig. 5

Fig. 6



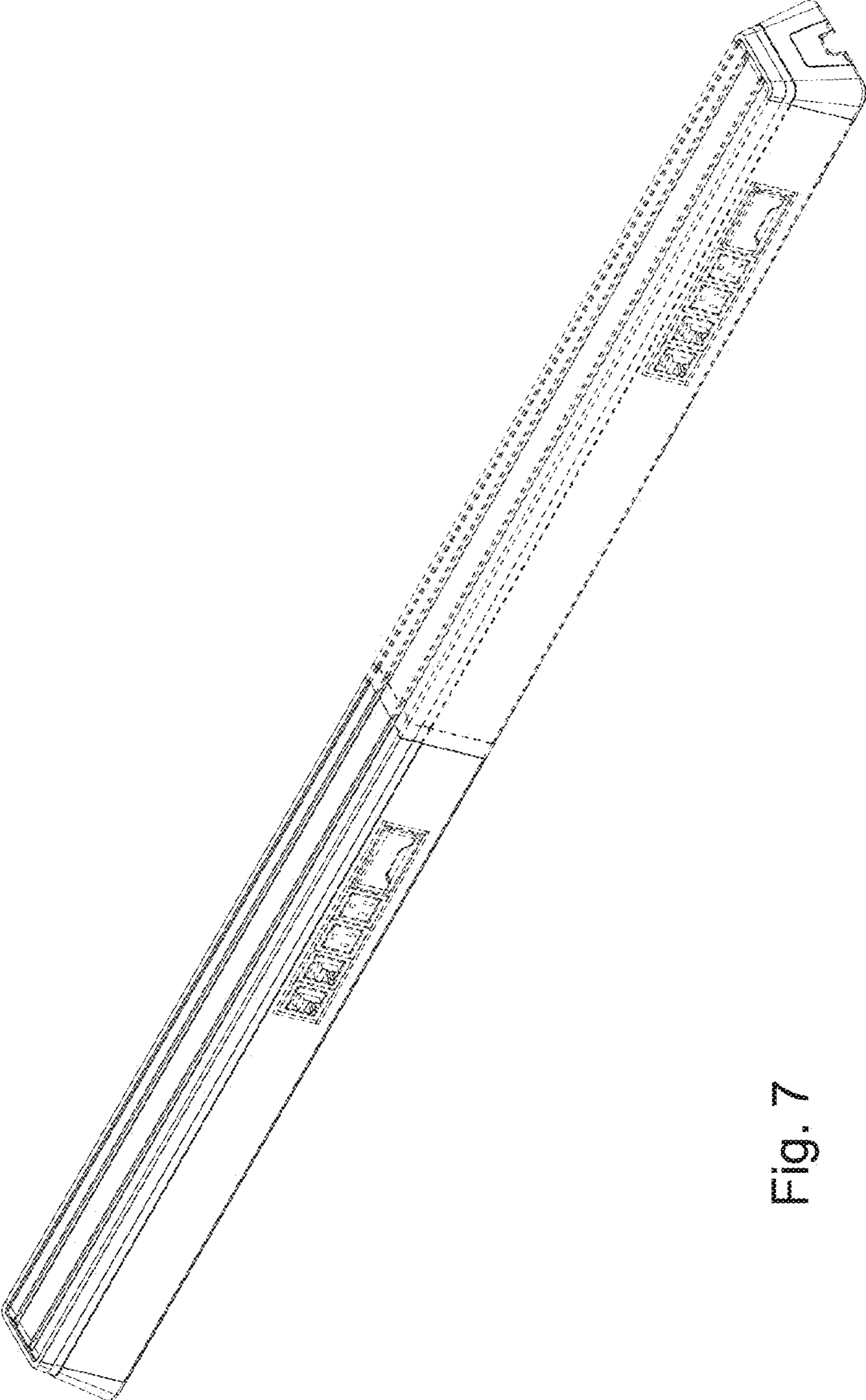


Fig. 7

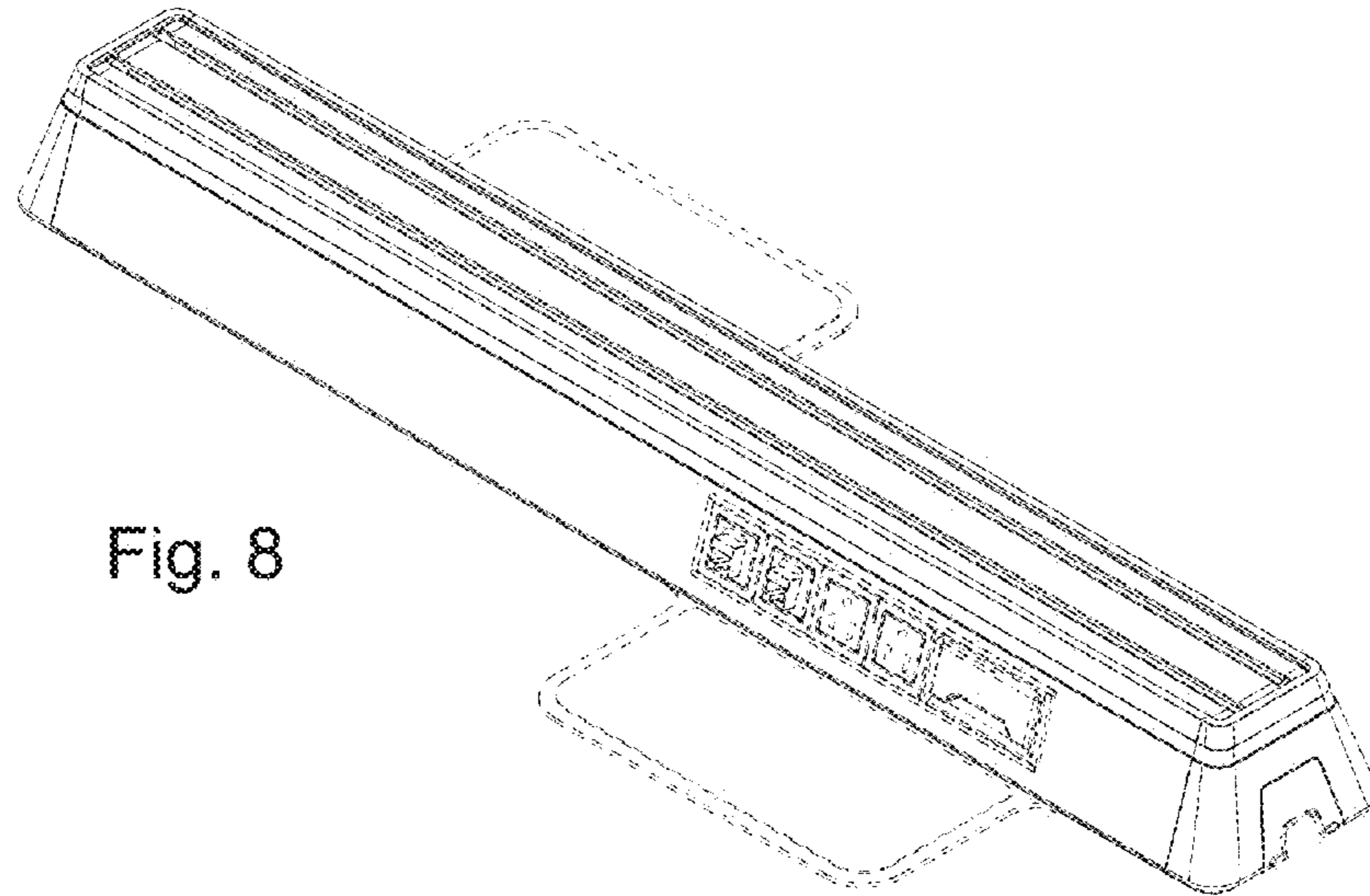


Fig. 8

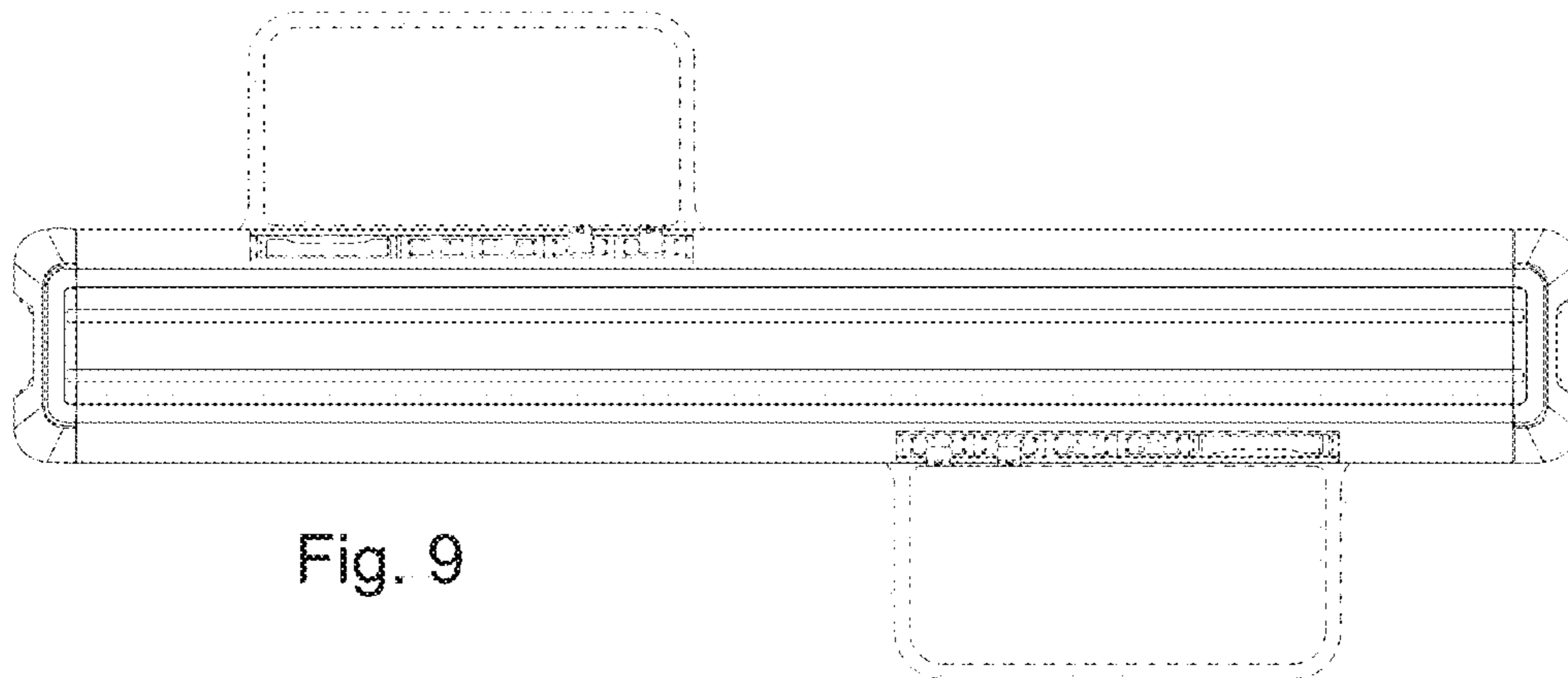


Fig. 9

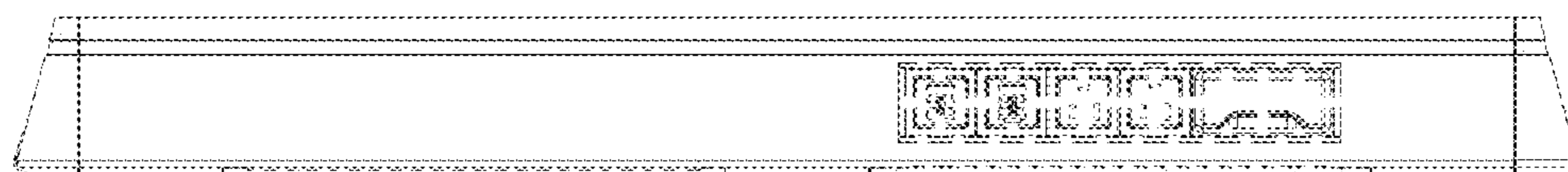


Fig. 10



Fig. 11

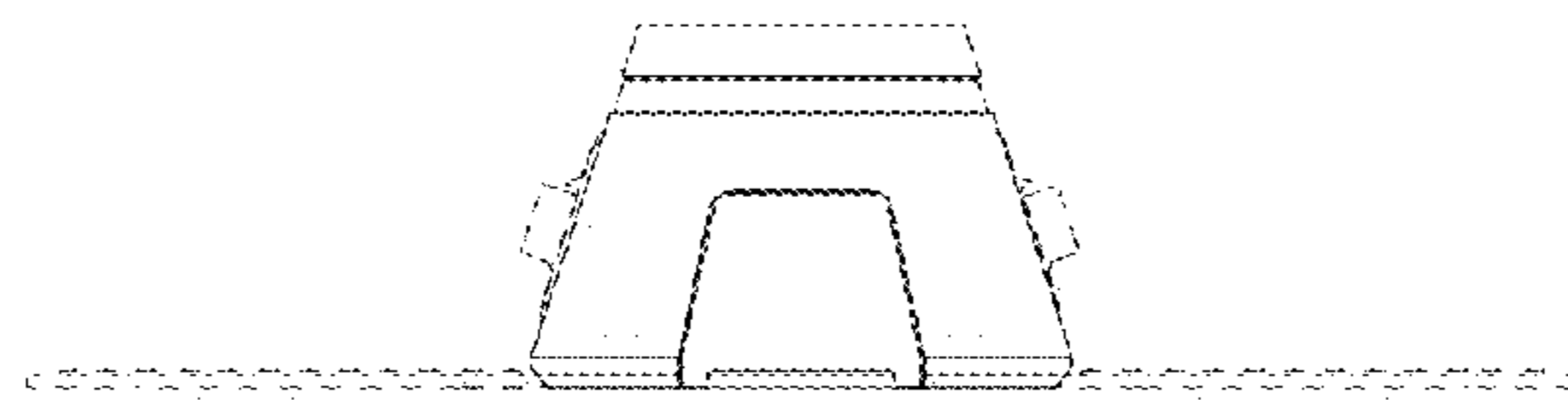


Fig. 12

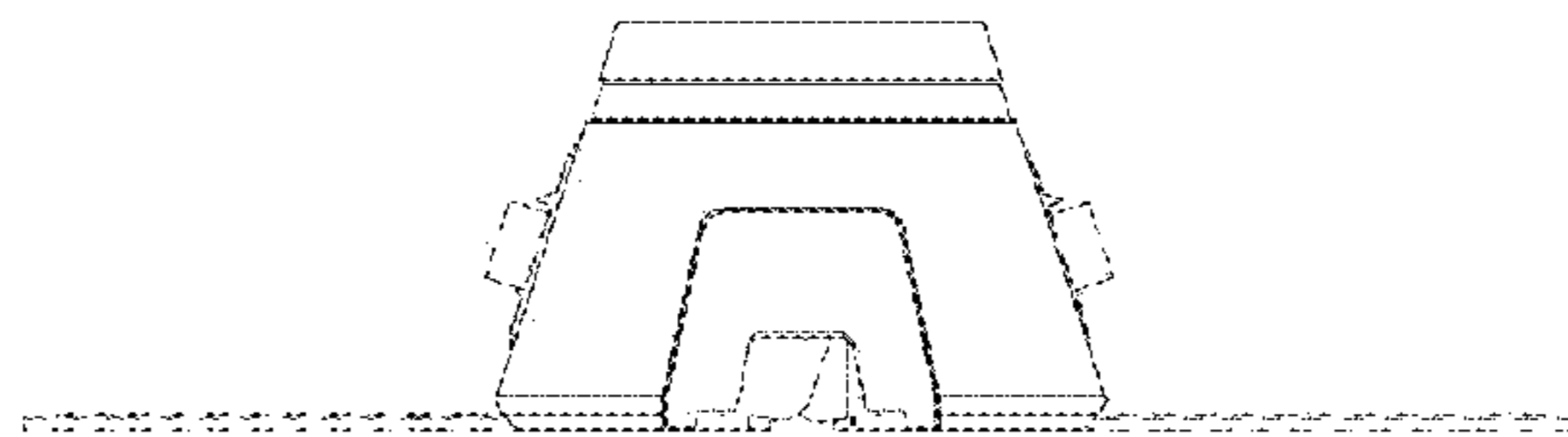


Fig. 13

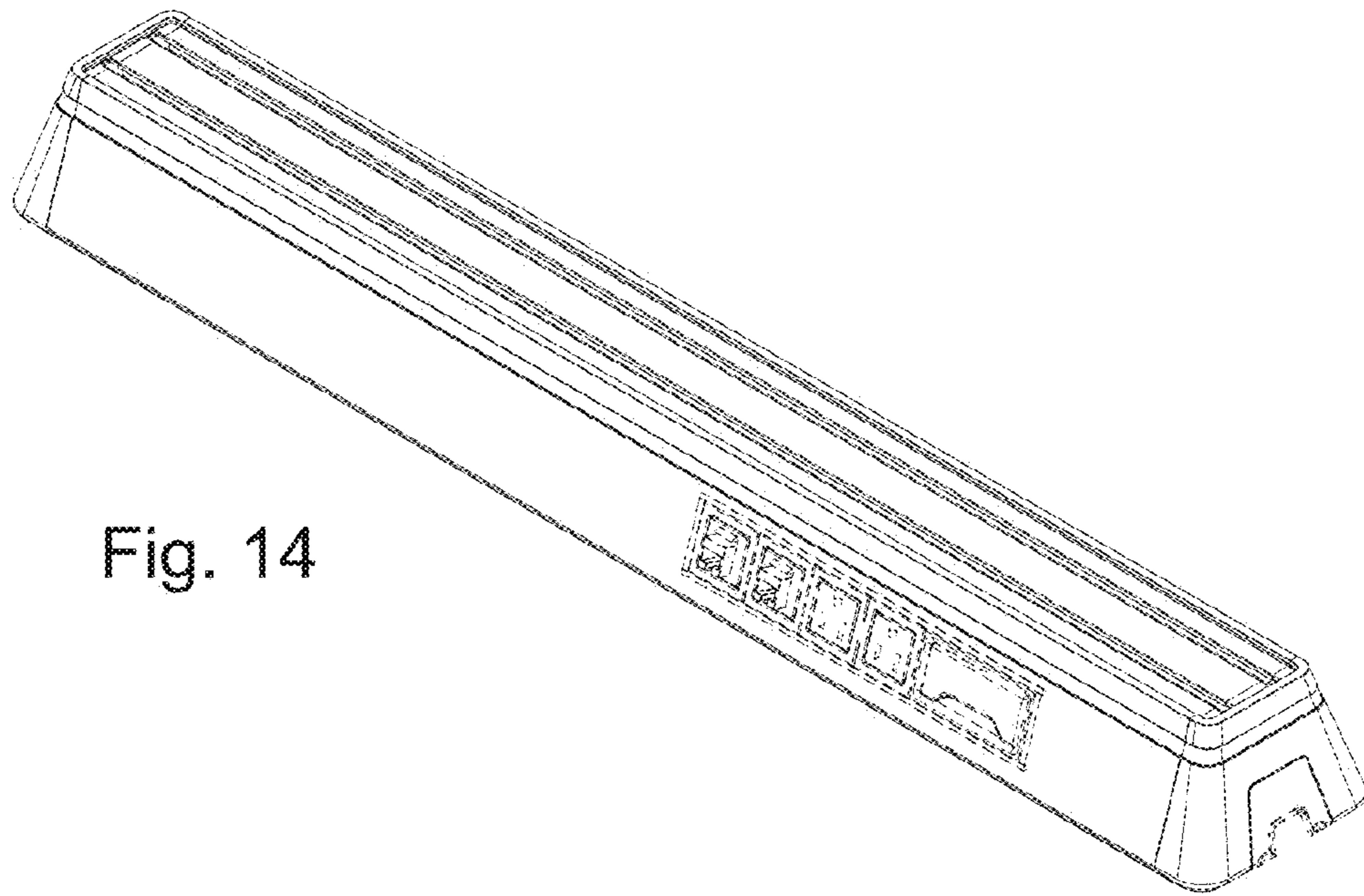


Fig. 14



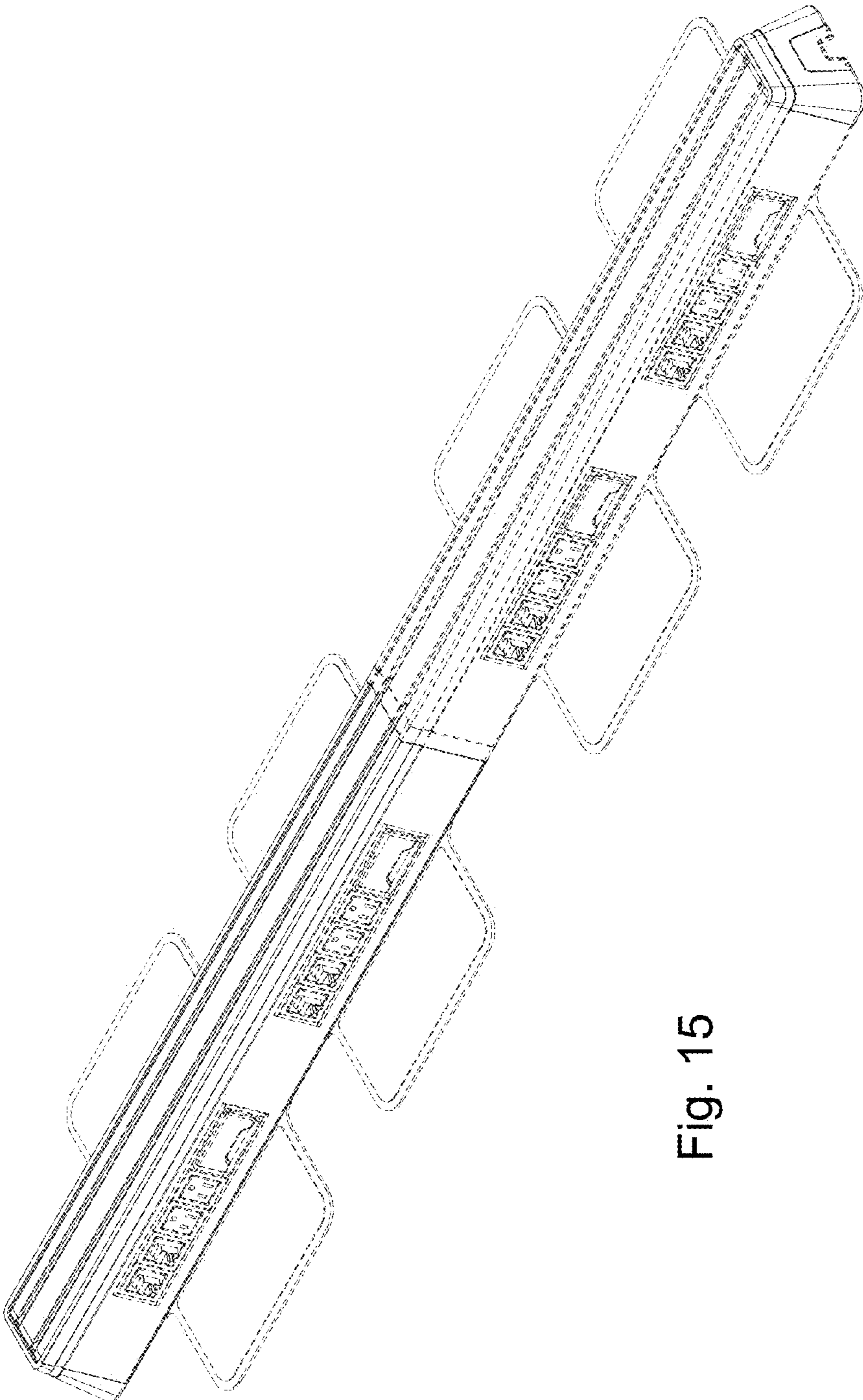


Fig. 15

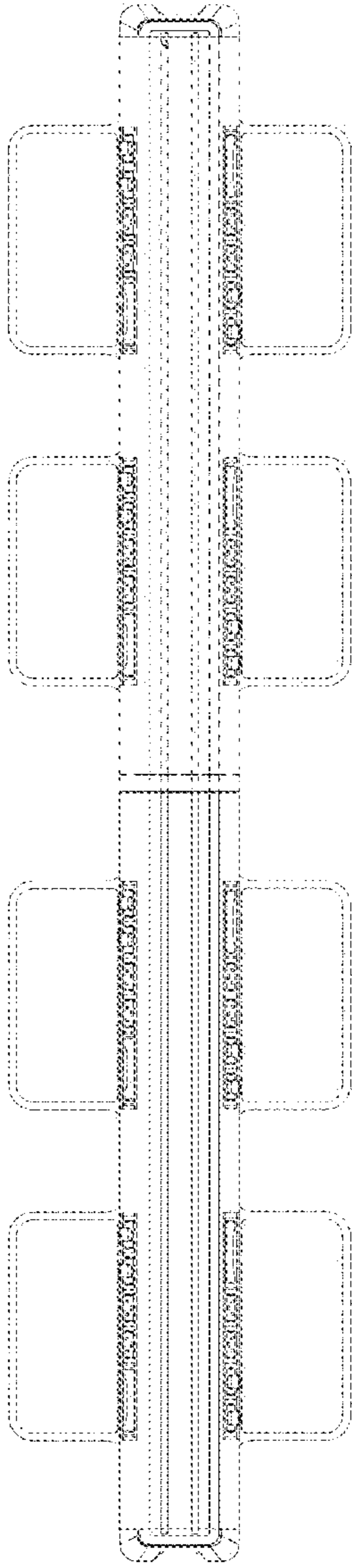


Fig. 16

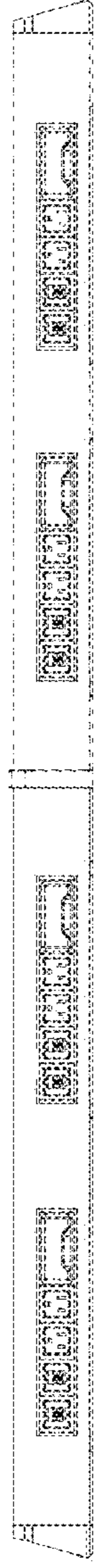


Fig. 17



Fig. 18



Fig. 19

Fig. 20

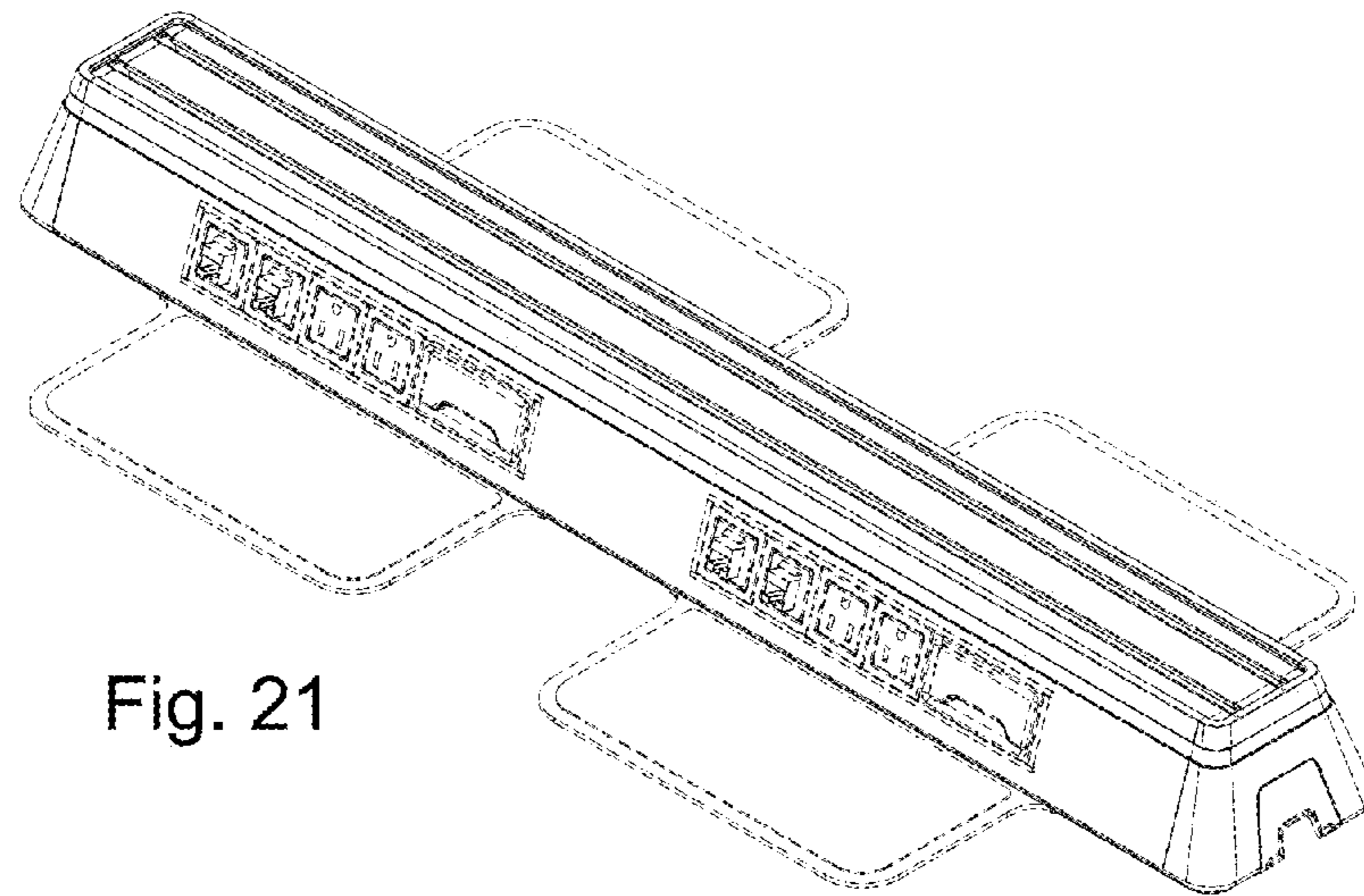


Fig. 21

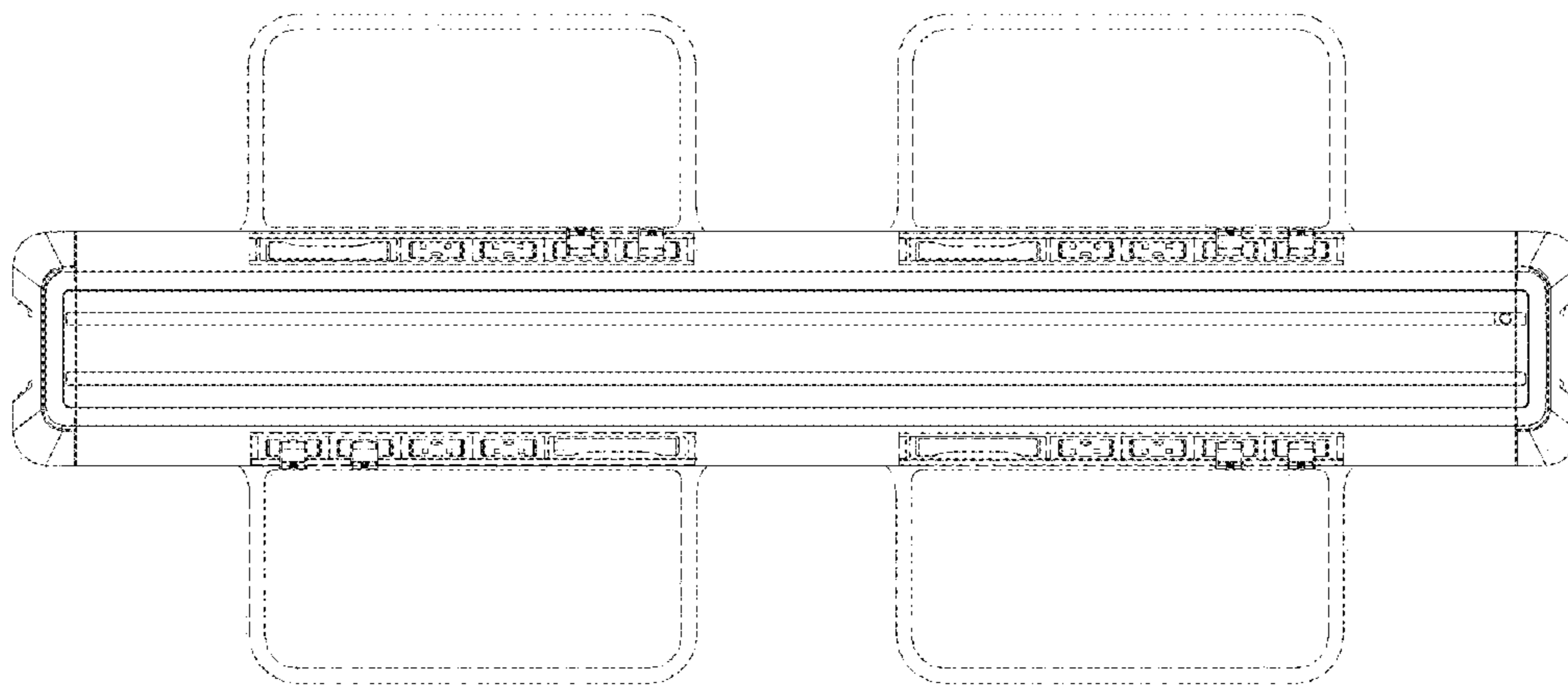


Fig. 22

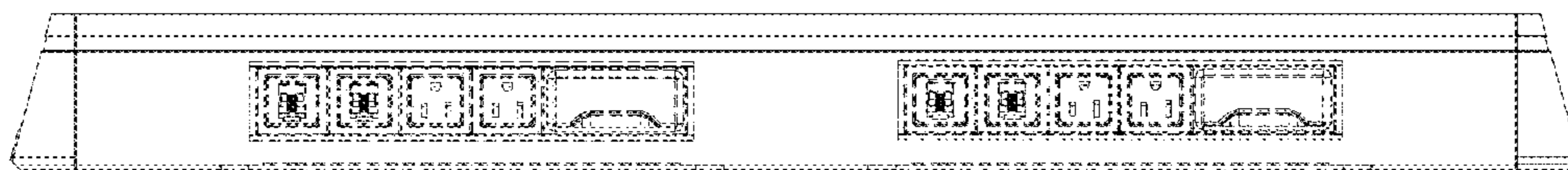


Fig. 23

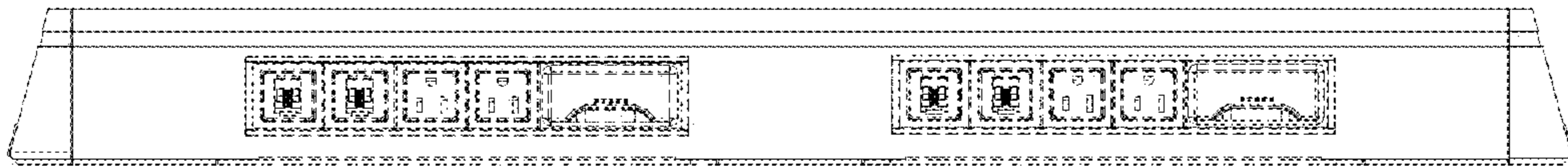


Fig. 24

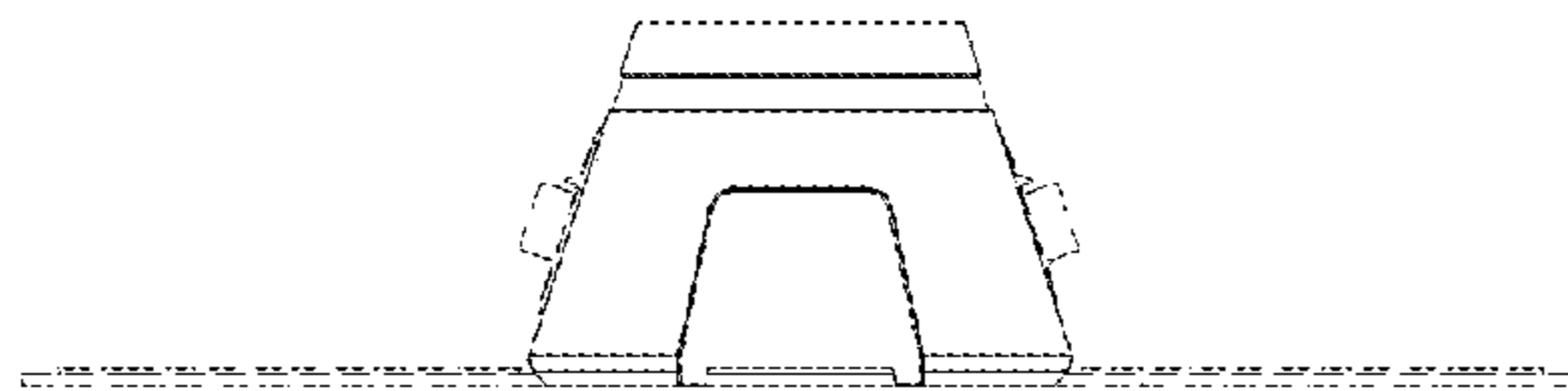


Fig. 25

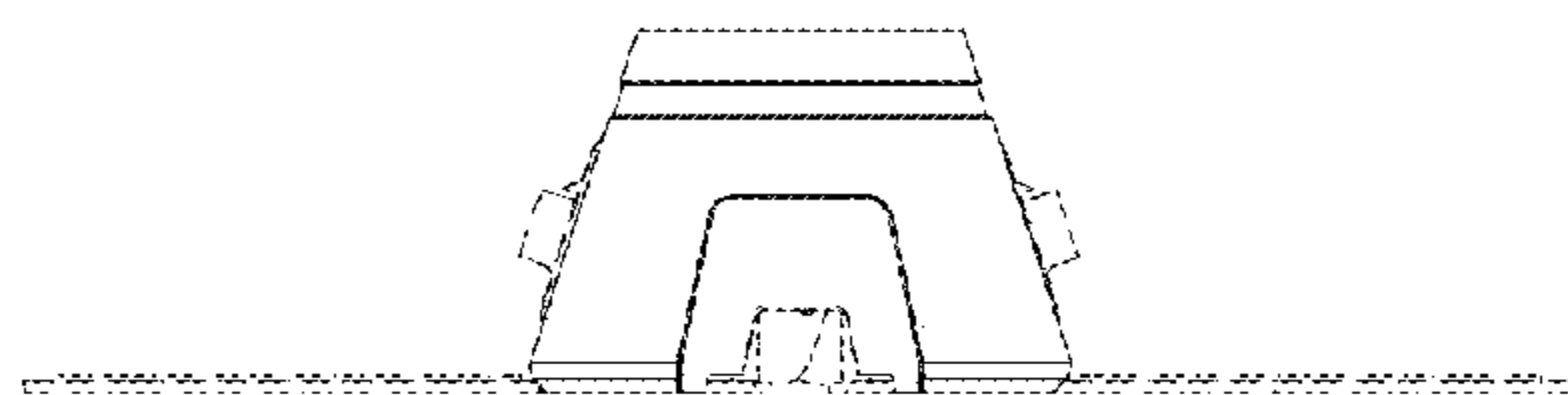


Fig. 26



UNITED STATES PATENT AND TRADEMARK OFFICE  
**CERTIFICATE OF CORRECTION**

PATENT NO. : D713,662 S  
APPLICATION NO. : 29/483504  
DATED : September 23, 2014  
INVENTOR(S) : Norman R. Byrne et al.

Page 1 of 1

It is certified that error appears in the above-identified patent and that said Letters Patent is hereby corrected as shown below:

Title page, Column 2

Line 45, the following two paragraphs should be inserted after the last paragraph starting with "FIG. 26":

--A bottom view of the TABLE DIVIDER constitutes no part of the claimed design.

The broken lines are included for the purpose of illustrating portions of the TABLE DIVIDER that form no part of the claimed design.--

Signed and Sealed this  
Twenty-third Day of December, 2014



Michelle K. Lee  
*Deputy Director of the United States Patent and Trademark Office*