



US00D713659S

(12) **United States Design Patent**
Stafford et al.

(10) **Patent No.:** **US D713,659 S**
(45) **Date of Patent:** **** Sep. 23, 2014**

- (54) **DISPLAY APPARATUS**
- (71) Applicant: **Target Brands, Inc.**, Minneapolis, MN (US)
- (72) Inventors: **William Y. Stafford**, Minnetrista, MN (US); **Timothy J. Martell**, Brooklyn Park, MN (US); **Grant M. Gay**, Minnetonka, MN (US); **Jeremy A. Clark**, Minneapolis, MN (US); **Robert D. Peota**, Minneapolis, MN (US); **April E. Jackson**, Golden Valley, MN (US)
- (73) Assignee: **Target Brands, Inc.**, Minneapolis, MN (US)

D296,619 S *	7/1988	Charman	D6/332
D331,917 S *	12/1992	DuBrucq	D13/155
D338,117 S	8/1993	Caldwell et al.		
D395,677 S	6/1998	Gongora et al.		
D397,562 S	9/1998	DePottey et al.		
D398,653 S	9/1998	Hiraguchi et al.		
D427,457 S	7/2000	Heiny et al.		
D436,762 S	1/2001	Heiny et al.		
D438,030 S	2/2001	Riga		
D440,796 S	4/2001	Riga		
D468,560 S	1/2003	Riga		
D546,013 S	7/2007	Pong		
D579,229 S	10/2008	De La Serve et al.		
D590,630 S	4/2009	Singler et al.		
D607,669 S	1/2010	Trinh et al.		
D607,670 S	1/2010	Trinh et al.		
D608,775 S	1/2010	Leung		
D608,830 S *	1/2010	Taylor et al.	D20/10
D610,832 S	3/2010	Rheault		

(**) Term: **14 Years**

- (21) Appl. No.: **29/492,079**
- (22) Filed: **May 28, 2014**

(Continued)

Primary Examiner — Kelley Donnelly
 (74) *Attorney, Agent, or Firm* — Leanne Taveggia Farrell; Westman, Champlin & Koehler, P.A.

Related U.S. Application Data

- (62) Division of application No. 29/479,988, filed on Jan. 22, 2014.
- (51) **LOC (10) Cl.** **06-06**
- (52) **U.S. Cl.**
USPC **D6/675**
- (58) **Field of Classification Search**
USPC D6/396, 449, 466–469, 477–479, 675, D6/675.1; 108/59–61, 92–93, 96, 108/106–107, 147.11; 211/85.26, 90.01, 211/90.04, 134, 135, 186–187, 153, 190, 211/207, 49.1, 50, 70.1
See application file for complete search history.

(56) **References Cited**

U.S. PATENT DOCUMENTS

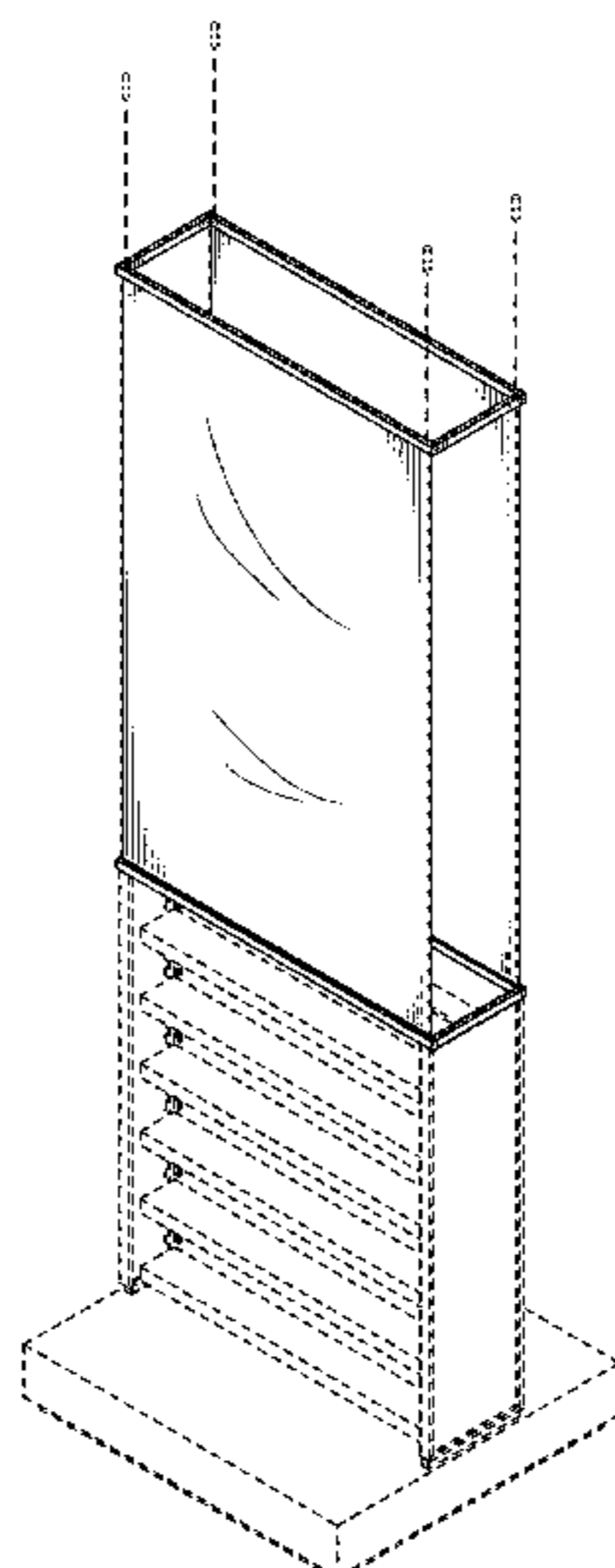
D250,868 S	1/1979	Ornatek
D290,204 S	6/1987	Bruget
D296,392 S	6/1988	Noyes et al.

(57) **CLAIM**
The ornamental design for a display apparatus, as shown and described.

DESCRIPTION

FIG. 1 is a top perspective view of a display apparatus with environment showing our new design;
 FIG. 2 is a top perspective view thereof;
 FIG. 3 is a front view thereof, the opposing back view being identical;
 FIG. 4 is a side view thereof, the opposing side view being identical; and,
 FIG. 5 is a top view thereof.
 The broken lines shown in the drawings are included for purposes of illustrating environment or portions of the display apparatus and form no part of the claimed design.

1 Claim, 2 Drawing Sheets



(56)

References Cited

U.S. PATENT DOCUMENTS

D622,673 S *	8/2010	Maurer et al.	D13/162	D661,124 S	6/2012	Curbbun et al.	
D637,421 S	5/2011	Theisen et al.		D662,329 S *	6/2012	Arko et al.	D6/332
D637,422 S	5/2011	Theisen et al.		D669,694 S *	10/2012	Yoo et al.	D6/332
D639,086 S	6/2011	Curbbun et al.		D679,521 S	4/2013	Hamm et al.	
D639,800 S	6/2011	Magruder		D689,473 S	9/2013	Manton	
D646,269 S *	10/2011	Crick et al.	D14/307	D692,707 S *	11/2013	Yoo et al.	D6/708
				D700,901 S *	3/2014	Giglio et al.	D14/129
				D708,459 S *	7/2014	Heirakuji et al.	D6/675

* cited by examiner

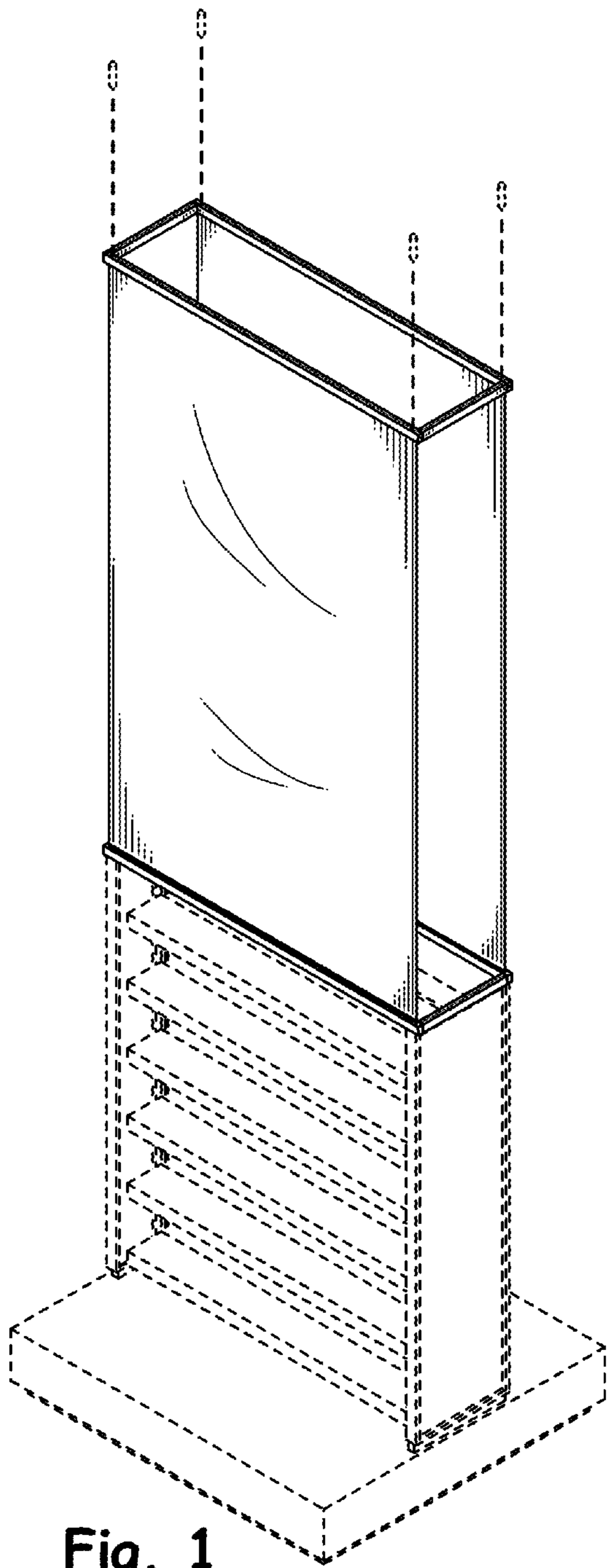


Fig. 1

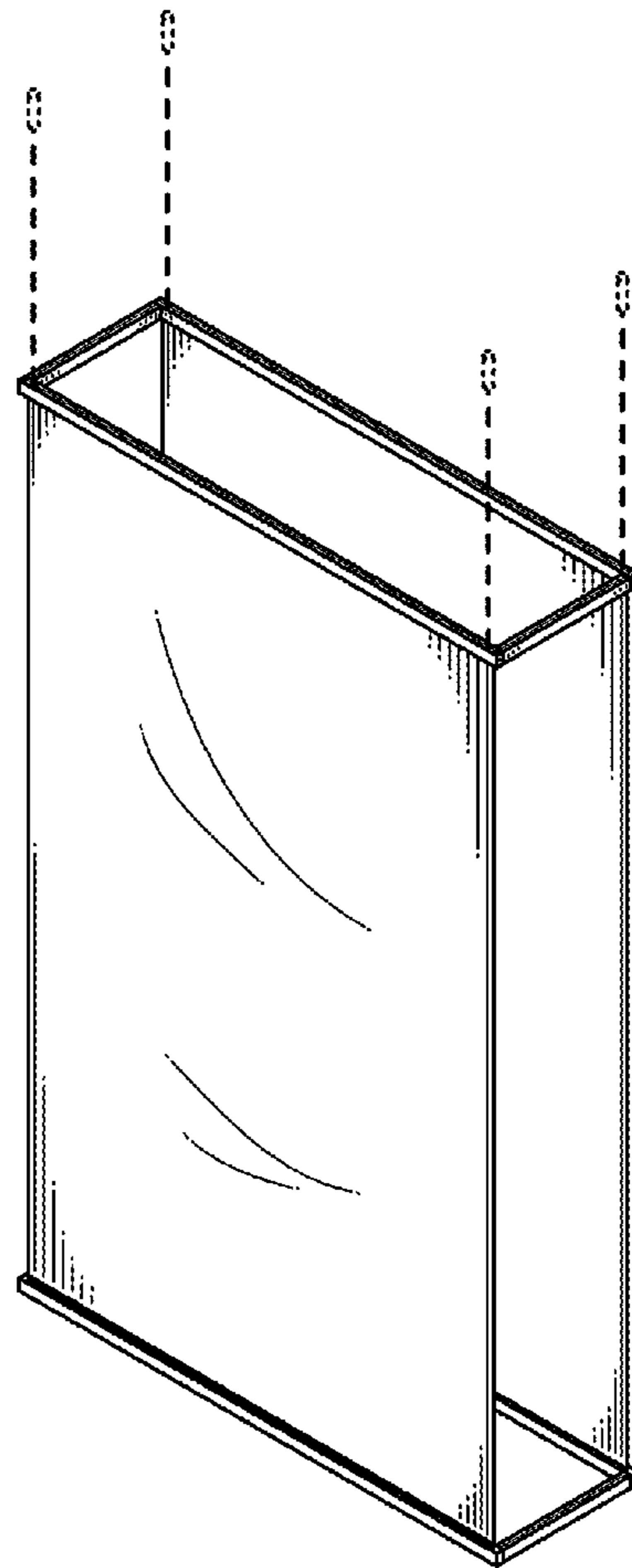


Fig. 2

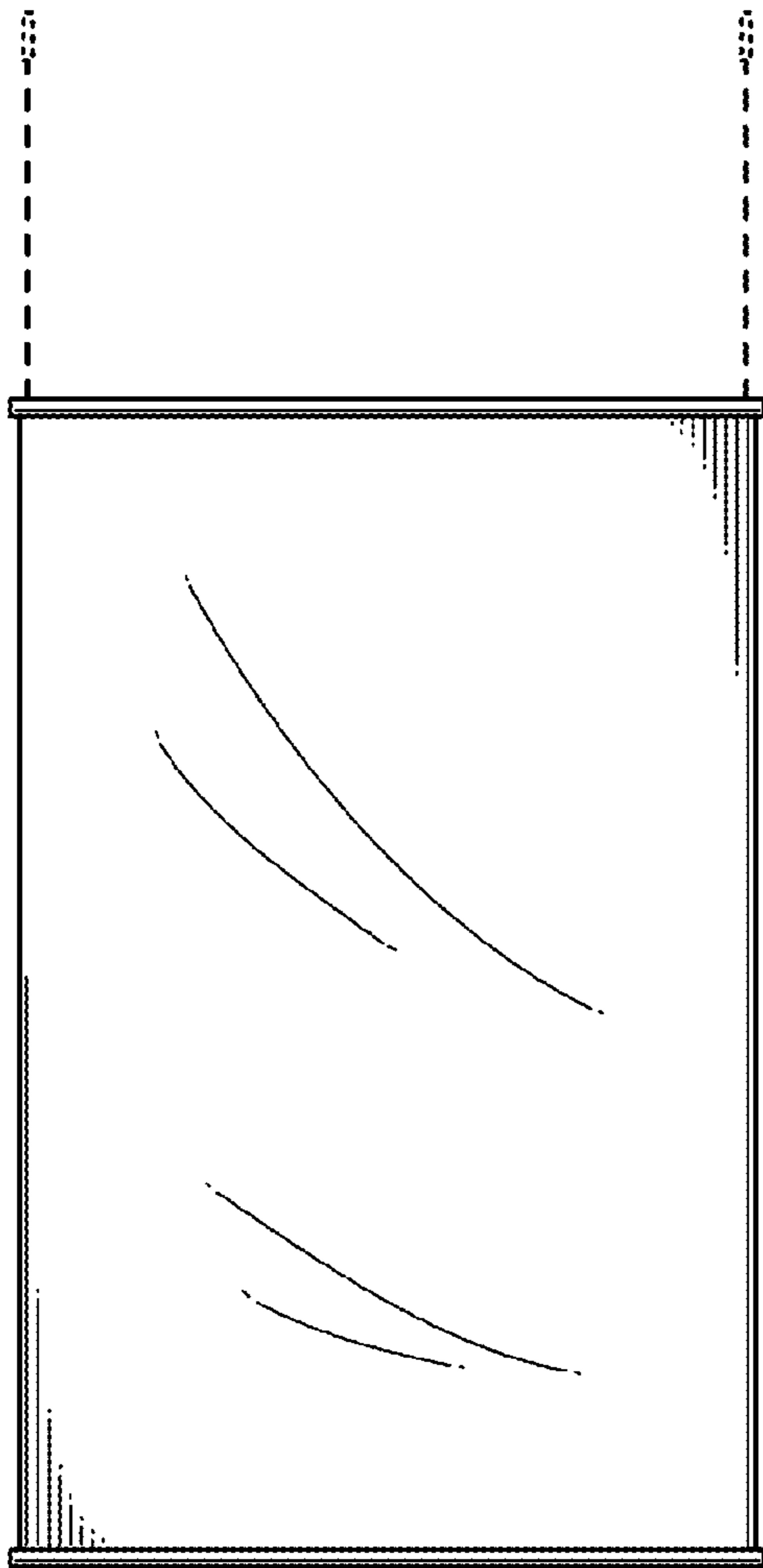


Fig. 3

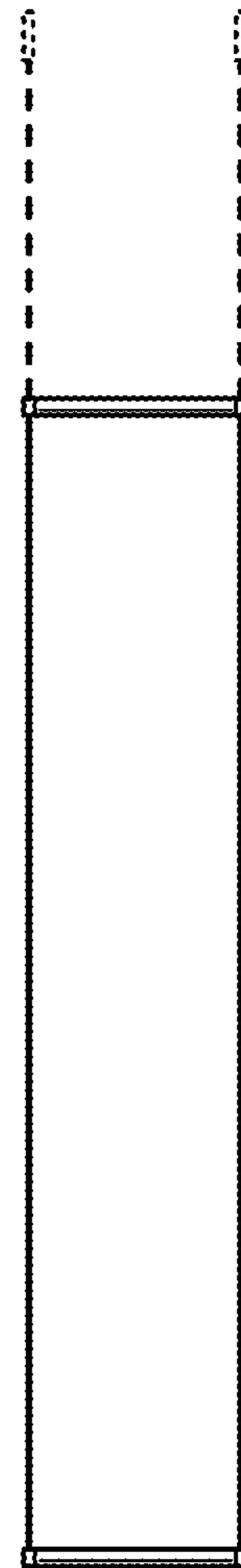


Fig. 4



Fig. 5