



US00D713658S

(12) **United States Design Patent**
Tio et al.

(10) **Patent No.:** **US D713,658 S**

(45) **Date of Patent:** **** Sep. 23, 2014**

(54) **DISPLAY STRUCTURE**

(71) Applicant: **Apple Inc.**, Cupertino, CA (US)

(72) Inventors: **Federico F. Tio**, La Canada, CA (US);
Frank C. Thaler, Santa Cruz, CA (US);
Wesley B. Hamm, San Francisco, CA
(US); **Kevin F. Smeds**, San Francisco,
CA (US); **Russell J. Heirakuji**,
Cupertino, CA (US)

(73) Assignee: **Apple Inc.**, Cupertino, CA (US)

(**) Term: **14 Years**

(21) Appl. No.: **29/432,724**

(22) Filed: **Sep. 19, 2012**

(51) **LOC (10) Cl.** **06-06**

(52) **U.S. Cl.**
USPC **D6/675**

(58) **Field of Classification Search**

USPC D6/468, 470, 473-479, 396-397,
D6/432-436, 449-451, 672-673,
D6/675-675.1; 211/42, 44-45, 48, 50,
211/90.01, 133.1; 312/7.2, 9.1, 107-109,
312/117-119, 278-279; 108/59, 108, 161
See application file for complete search history.

(56) **References Cited**

U.S. PATENT DOCUMENTS

D321,100 S * 10/1991 Dorrell D6/468
D354,638 S * 1/1995 Todd et al. D6/433

(Continued)

OTHER PUBLICATIONS

U.S. Appl. No. 29/393,288, inventors Hamm et al., filed Jun. 1, 2011.

(Continued)

Primary Examiner — Kelley Donnelly

(74) *Attorney, Agent, or Firm* — Sterne, Kessler,
Goldstein & Fox P.L.L.C.

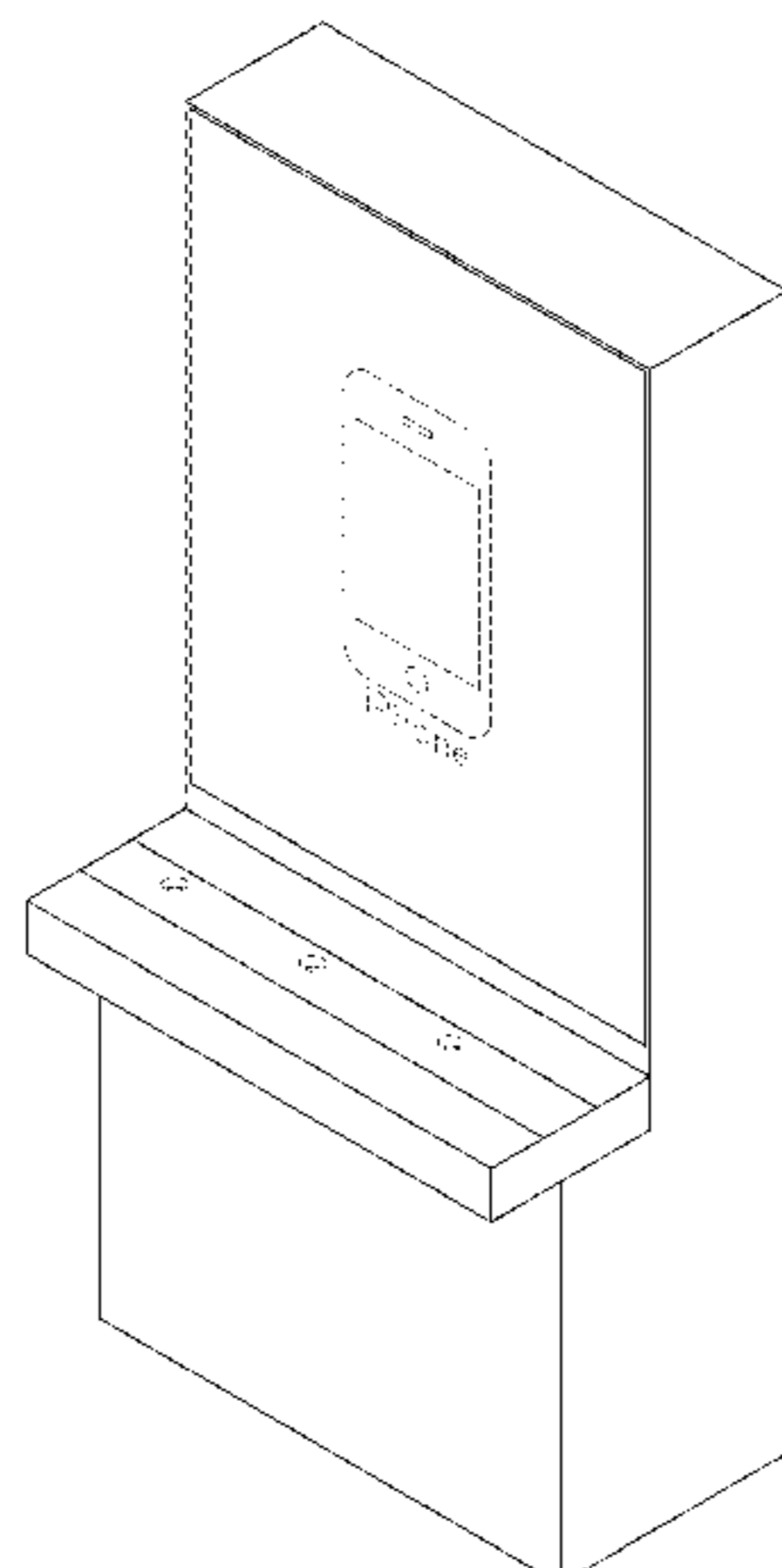
(57) **CLAIM**

The ornamental design for a display structure, as shown and
described.

DESCRIPTION

FIG. 1 is a top front perspective view of an embodiment of a
display structure showing our new design;
FIG. 2 is a front view thereof;
FIG. 3 is a rear view thereof;
FIG. 4 is a left side view thereof;
FIG. 5 is a right side view thereof;
FIG. 6 is a top view thereof;
FIG. 7 is a bottom view thereof;
FIG. 8 is a top front perspective view of another embodiment
of a display structure showing our new design;
FIG. 9 is a front view thereof;
FIG. 10 is a rear view thereof;
FIG. 11 is a left side view thereof;
FIG. 12 is a right side view thereof;
FIG. 13 is a top view thereof;
FIG. 14 is a bottom view thereof;
FIG. 15 is a top front perspective view of another embodiment
of a display structure showing our new design;
FIG. 16 is a front view thereof;
FIG. 17 is a rear view thereof;
FIG. 18 is a left side view thereof;
FIG. 19 is a right side view thereof;
FIG. 20 is a top view thereof;
FIG. 21 is a bottom view thereof;
FIG. 22 is a top front perspective view of another embodiment
of a display structure showing our new design;
FIG. 23 is a front view thereof;
FIG. 24 is a rear view thereof;
FIG. 25 is a left side view thereof;
FIG. 26 is a right side view thereof;
FIG. 27 is a top view thereof; and,
FIG. 28 is a bottom view thereof.
The broken lines in the Figures show portions of the display
structure and environment which form no part of the claimed
design.

1 Claim, 20 Drawing Sheets



(56)

References Cited

U.S. PATENT DOCUMENTS

D434,929 S * 12/2000 Heiny et al. D6/479
D590,630 S * 4/2009 Singler et al. D6/432
D591,531 S * 5/2009 Sparkowski D6/464
D592,422 S * 5/2009 Rheault D6/436
D610,832 S * 3/2010 Rheault D6/436
D632,903 S * 2/2011 Paul D6/474
D649,192 S * 11/2011 Beukema et al. D19/75
D657,978 S * 4/2012 Hamm et al. D6/470
D661,124 S * 6/2012 Curbbun et al. D6/396
D671,535 S * 11/2012 Terashima et al. D14/307
D679,521 S * 4/2013 Hamm et al. D6/672

D693,156 S * 11/2013 Hamm et al. D6/672
2005/0279033 A1* 12/2005 Faber et al. 52/36.4

OTHER PUBLICATIONS

U.S. Appl. No. 29/406,695, inventors Hamm et al., filed Nov. 17, 2011.
U.S. Appl. No. 29/416,214, inventors Hamm et al., filed Mar. 20, 2012.
U.S. Appl. No. 29/419,471, inventors Hamm et al., filed Apr. 27, 2012.
U.S. Appl. No. 29/432,722, inventors Heirakuji et al., filed Sep. 19, 2012.

* cited by examiner

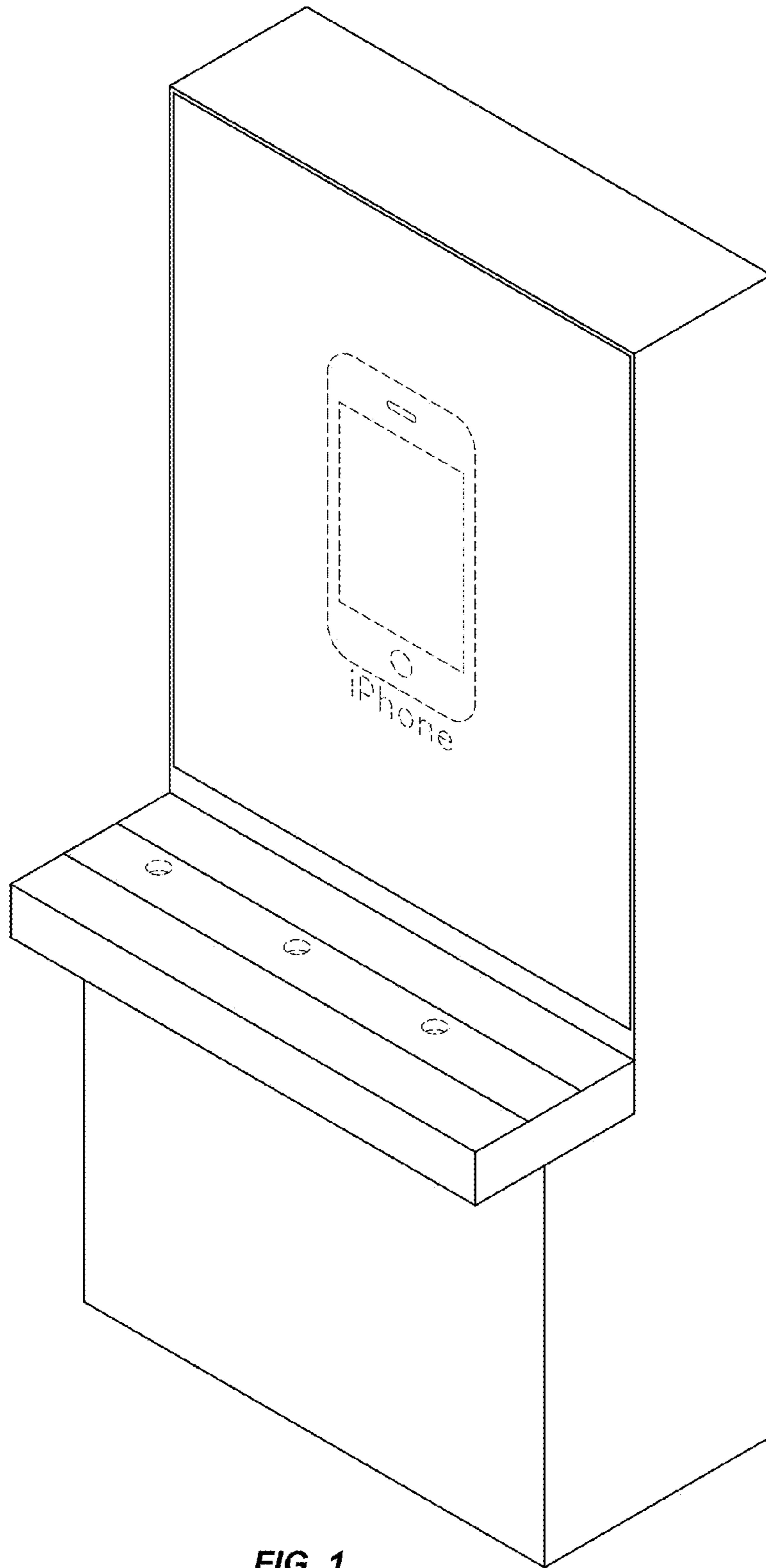


FIG. 1

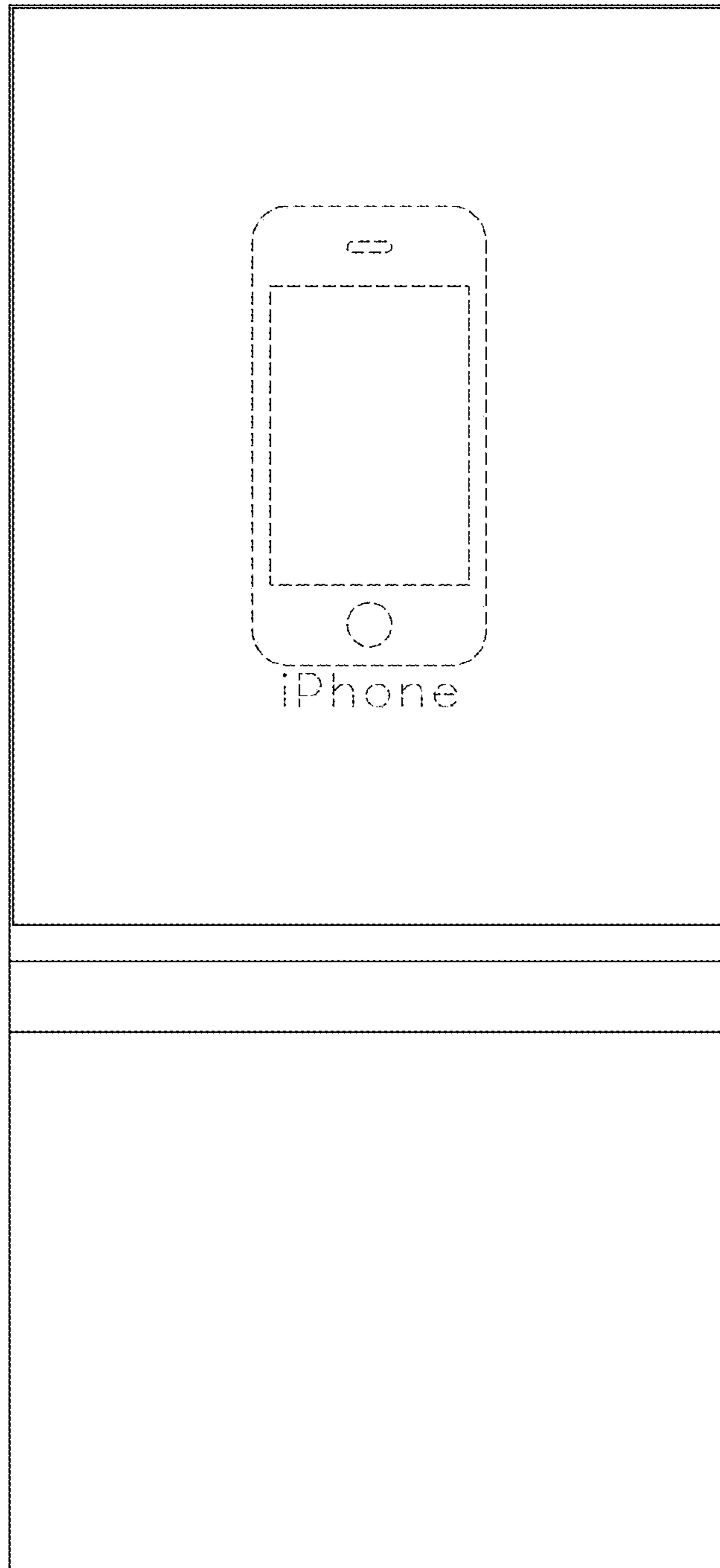


FIG. 2

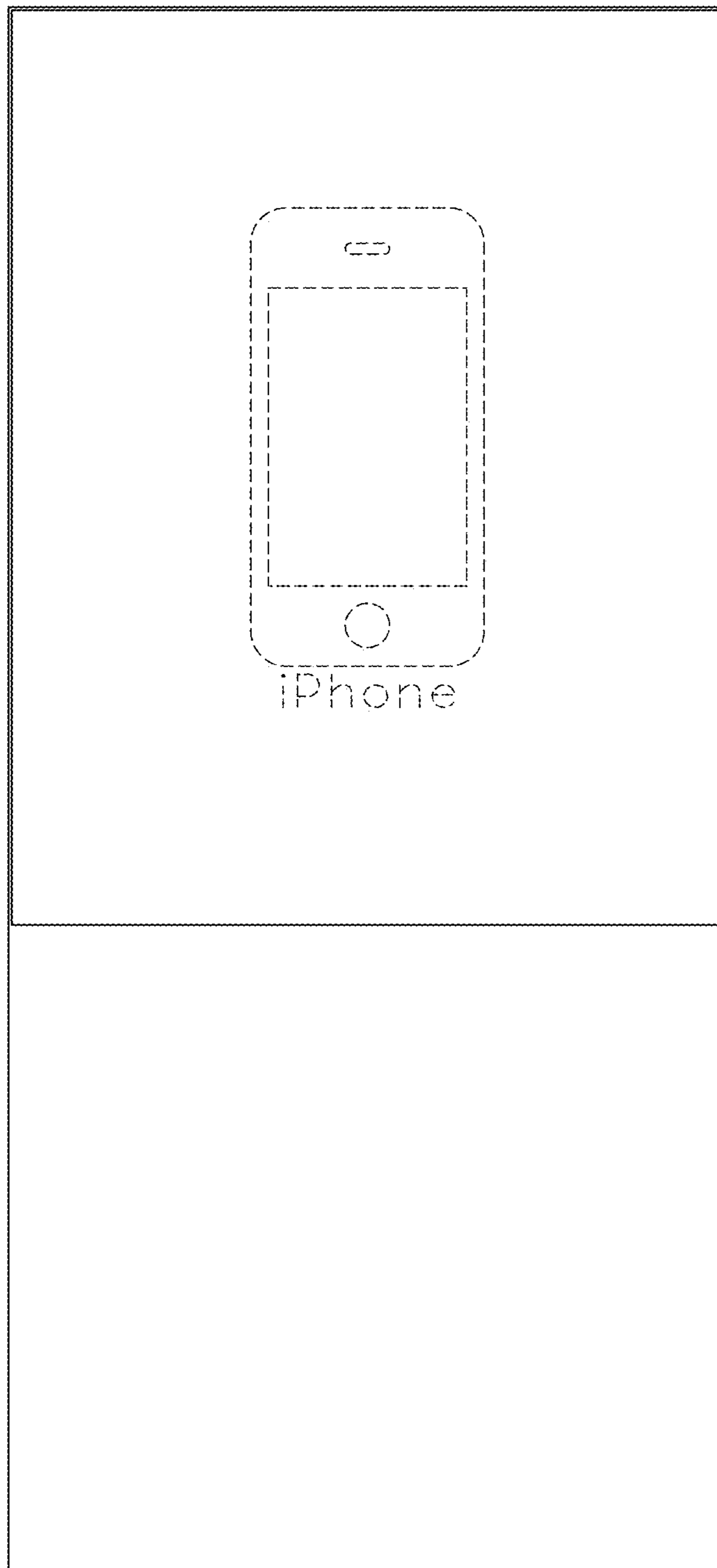


FIG. 3

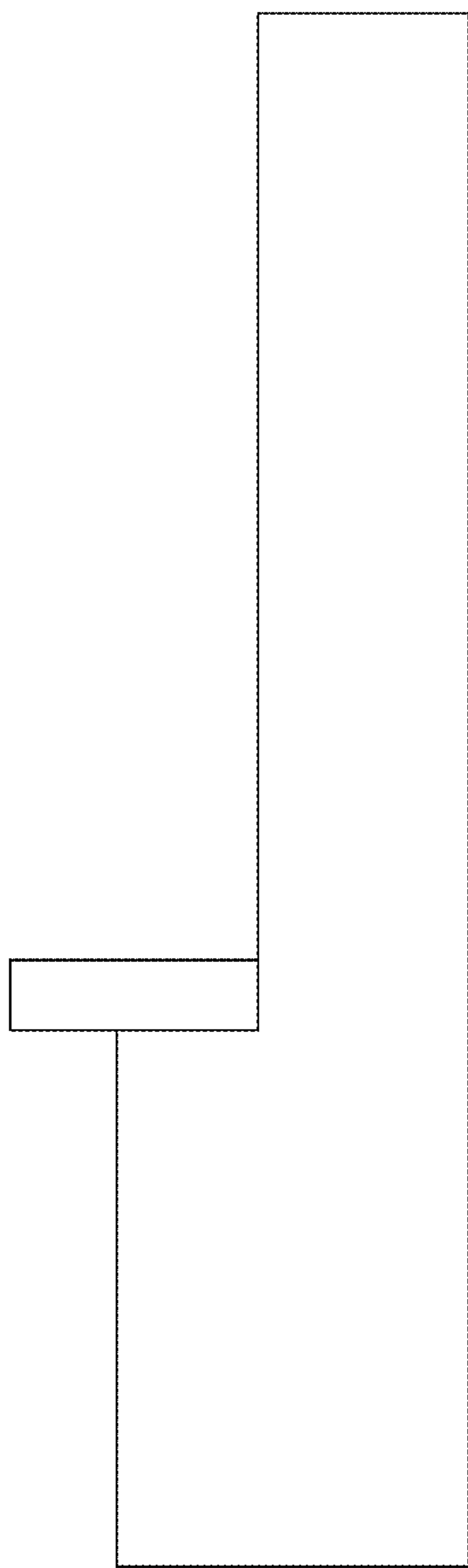


FIG. 4

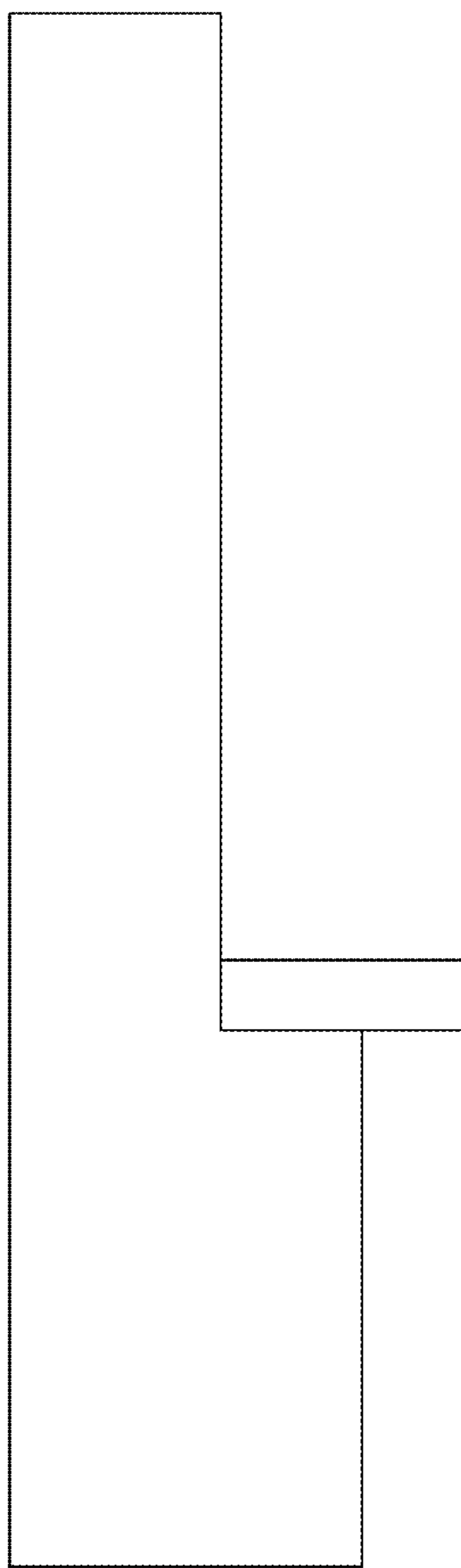


FIG. 5

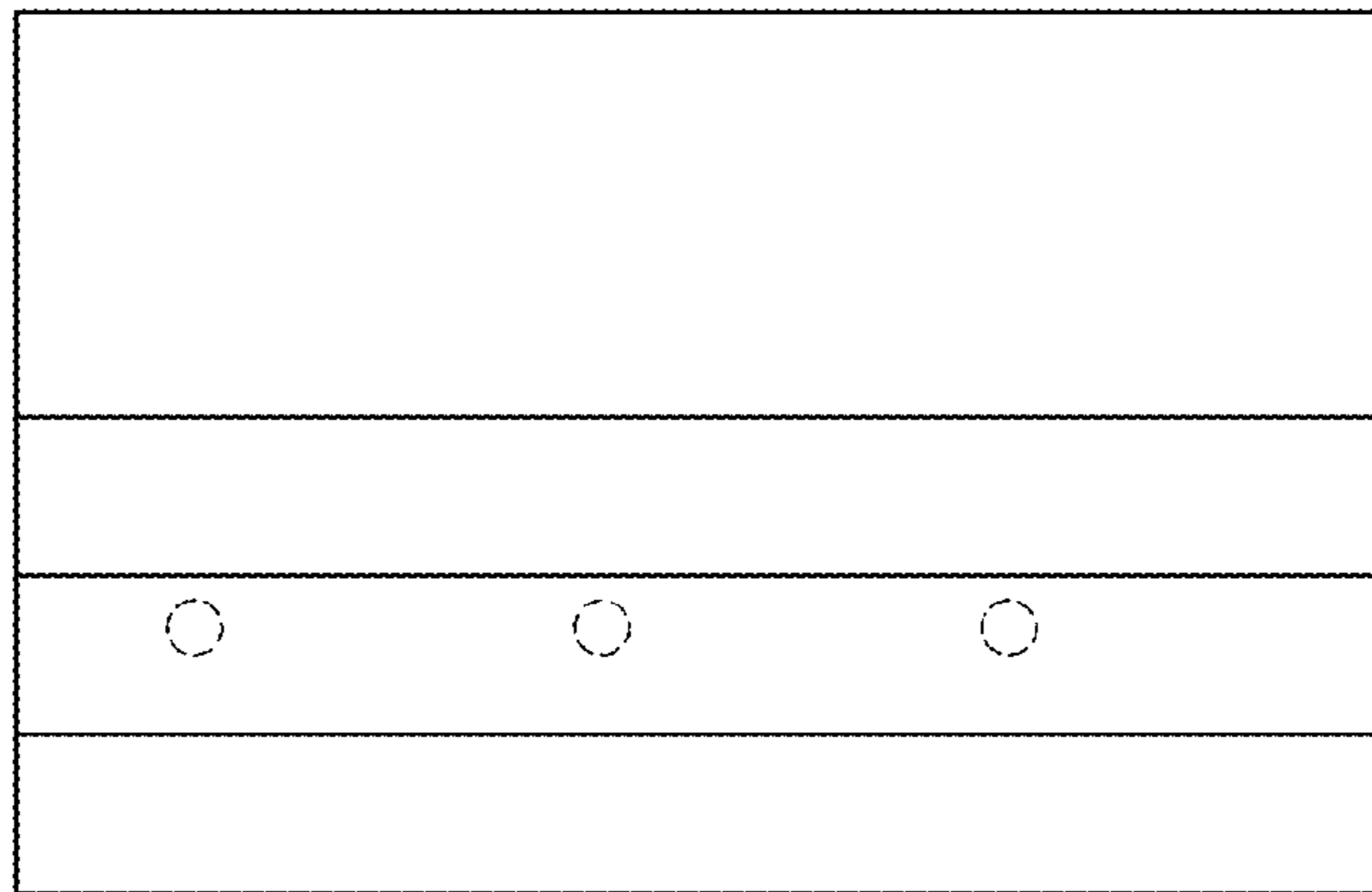


FIG. 6

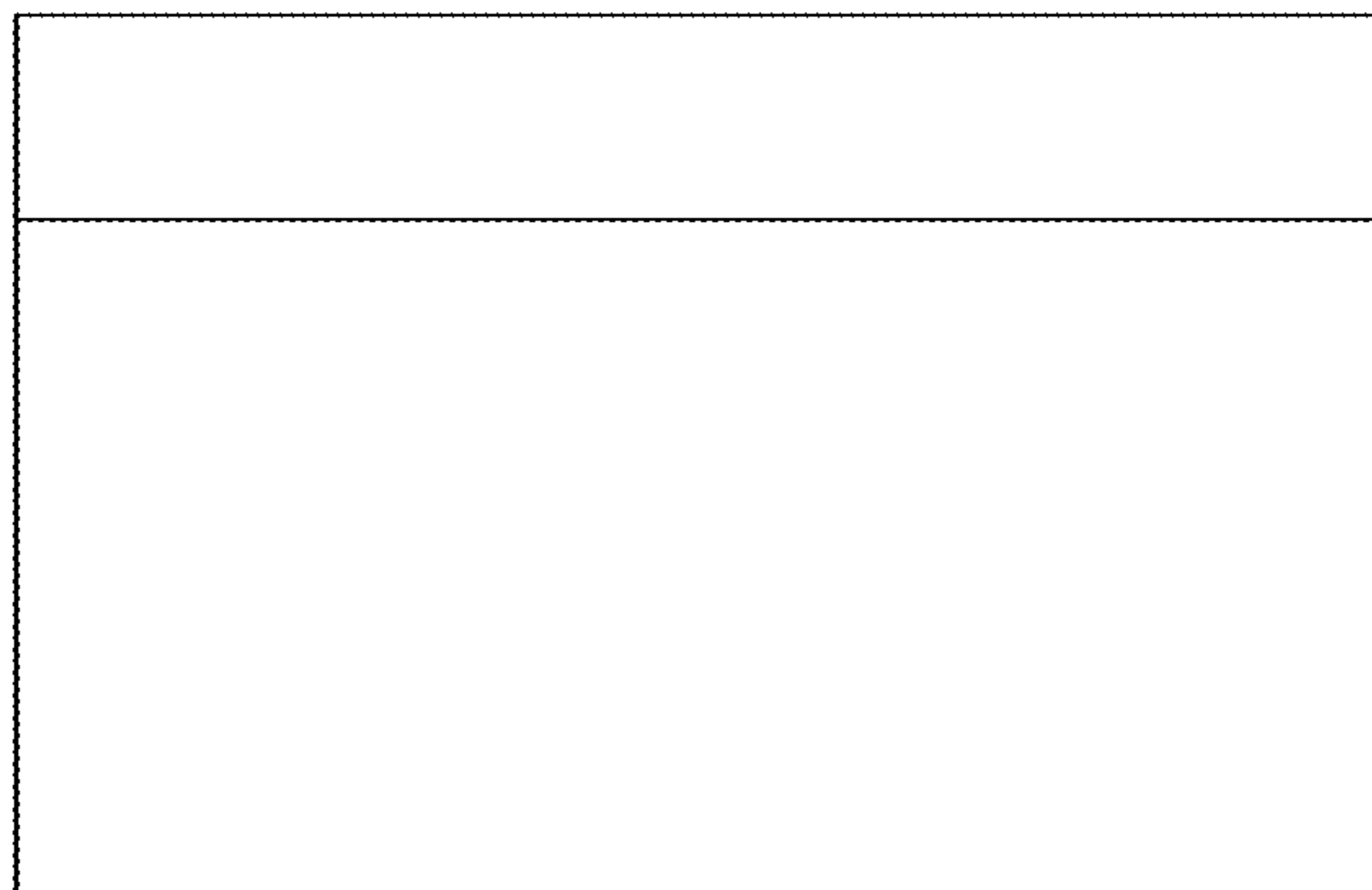


FIG. 7

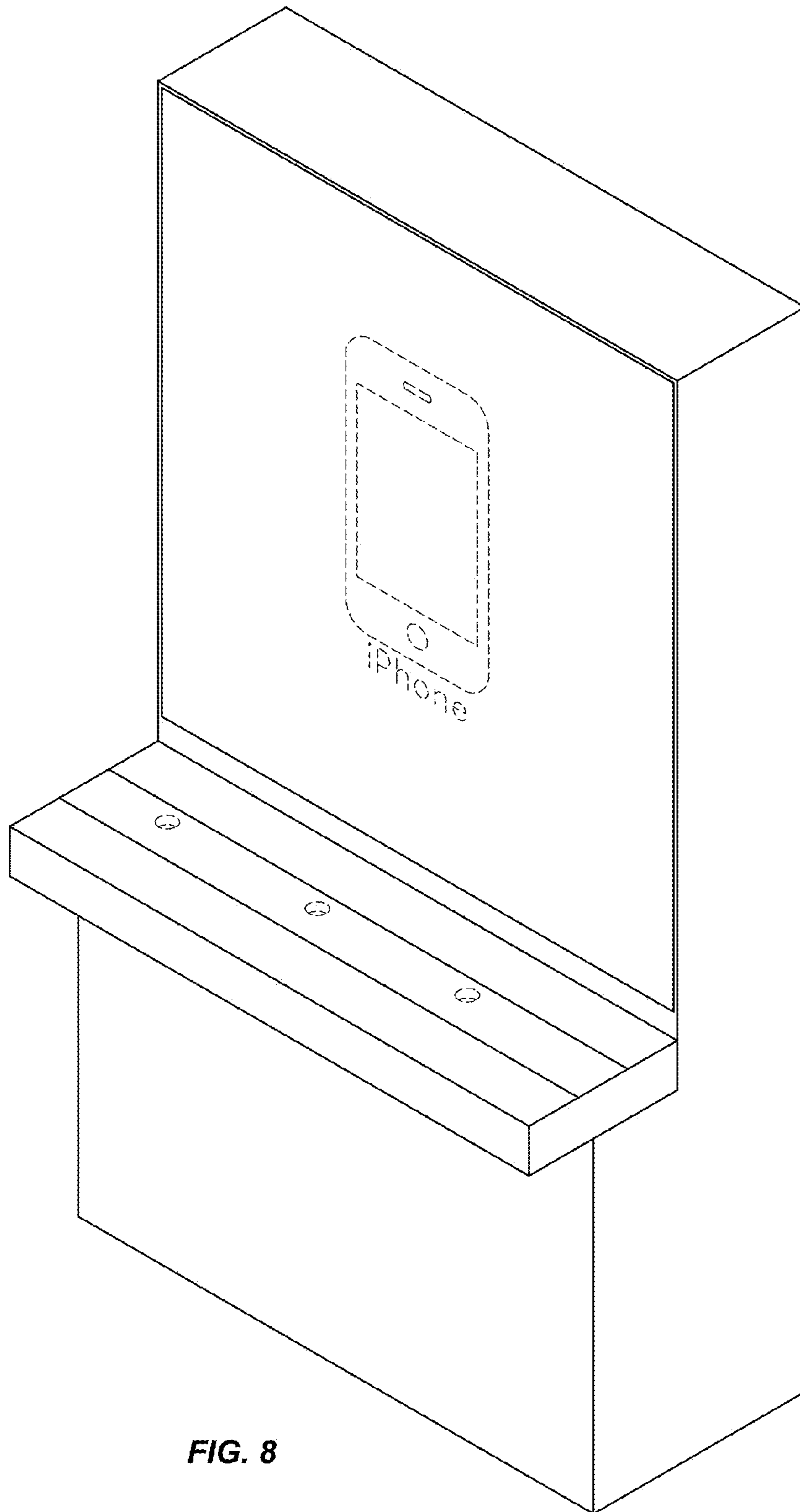


FIG. 8

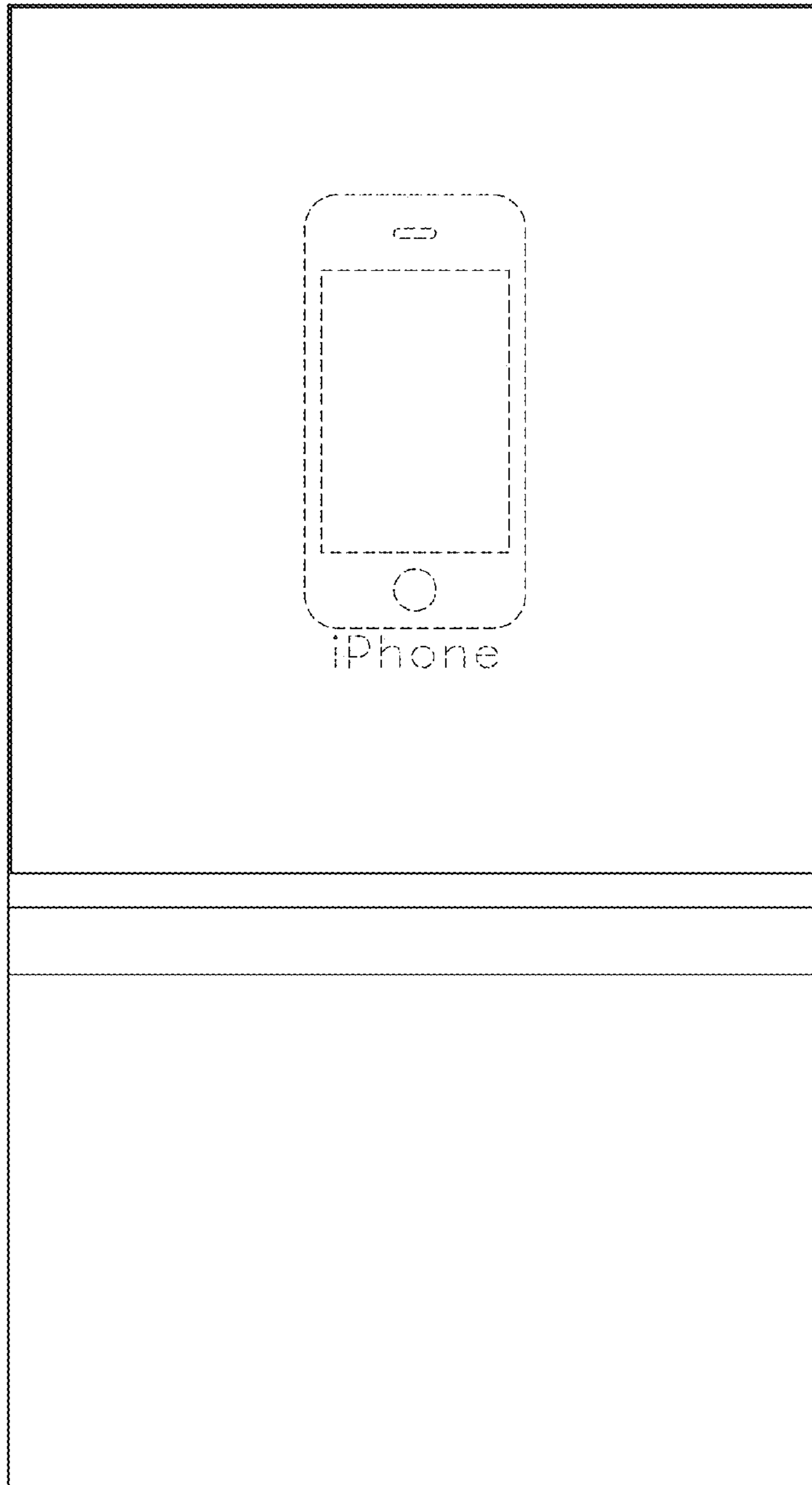


FIG. 9

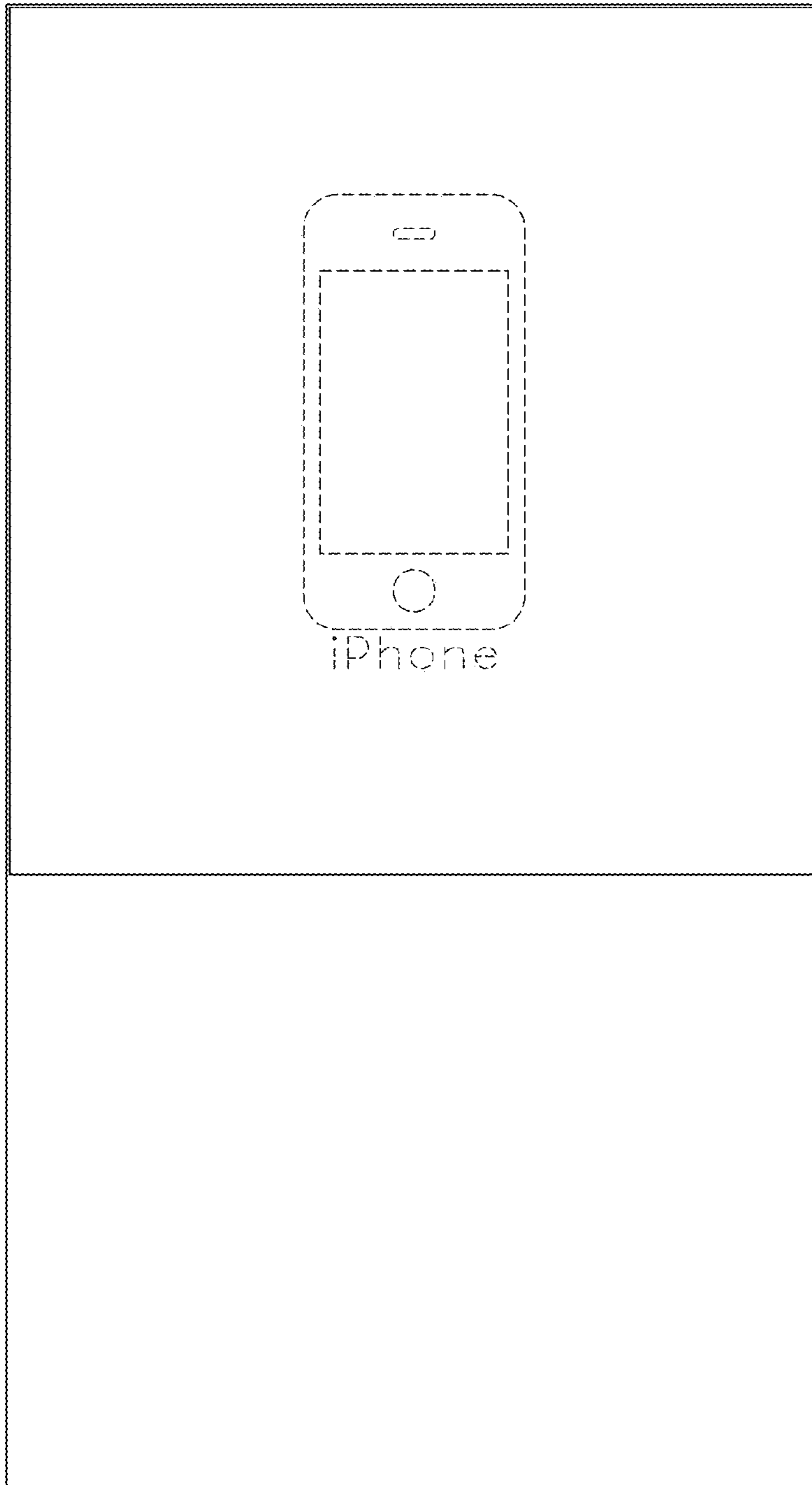


FIG. 10

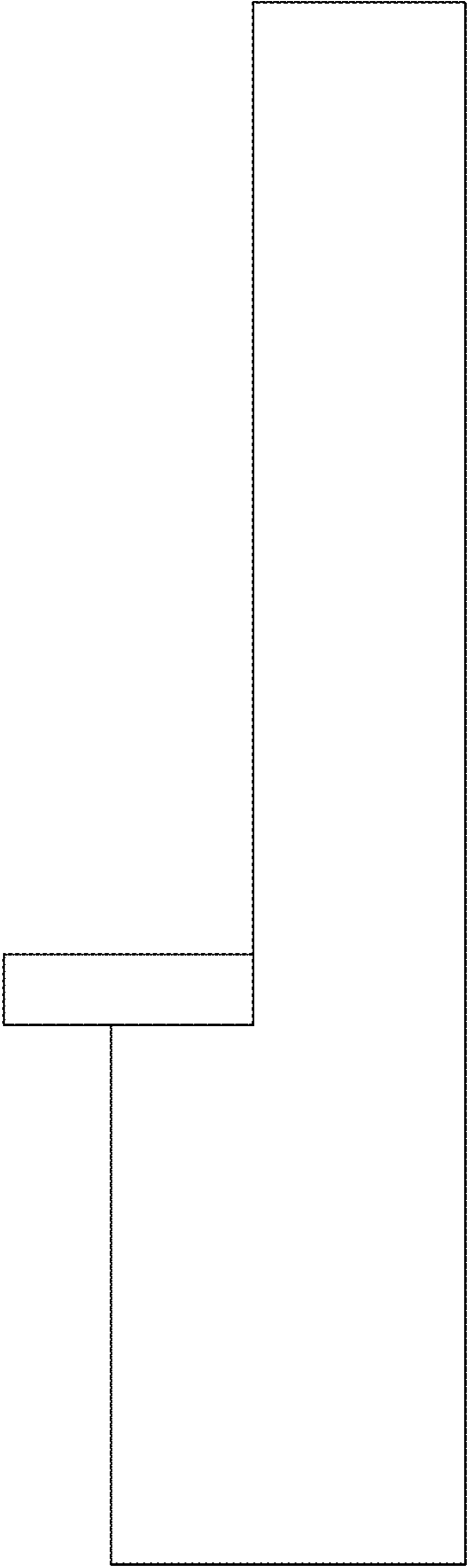


FIG. 11

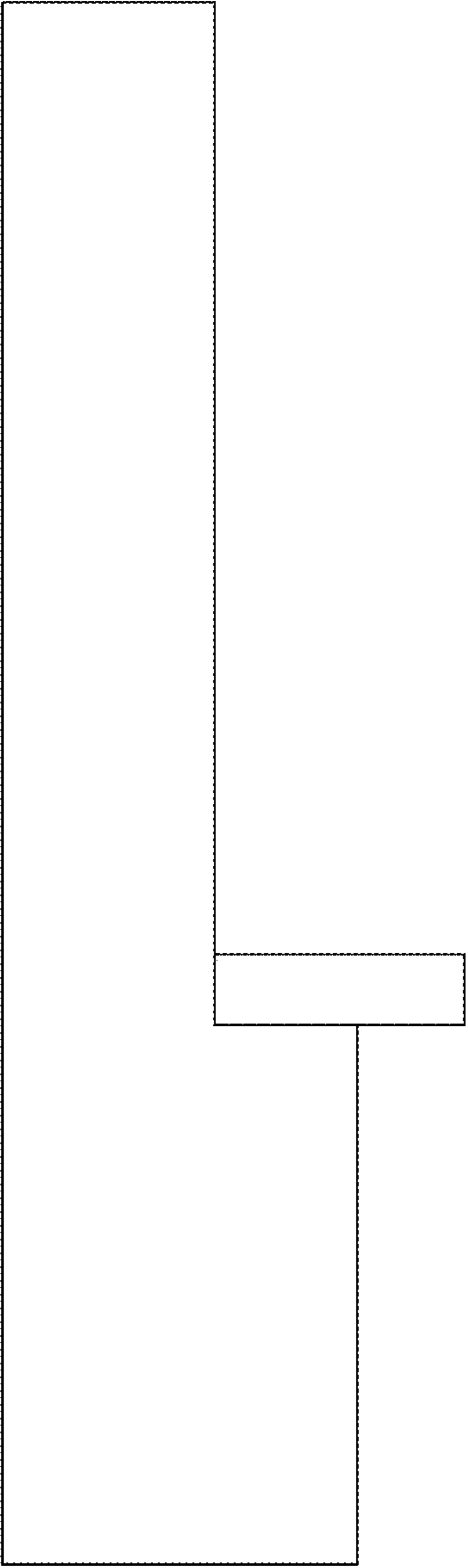


FIG. 12

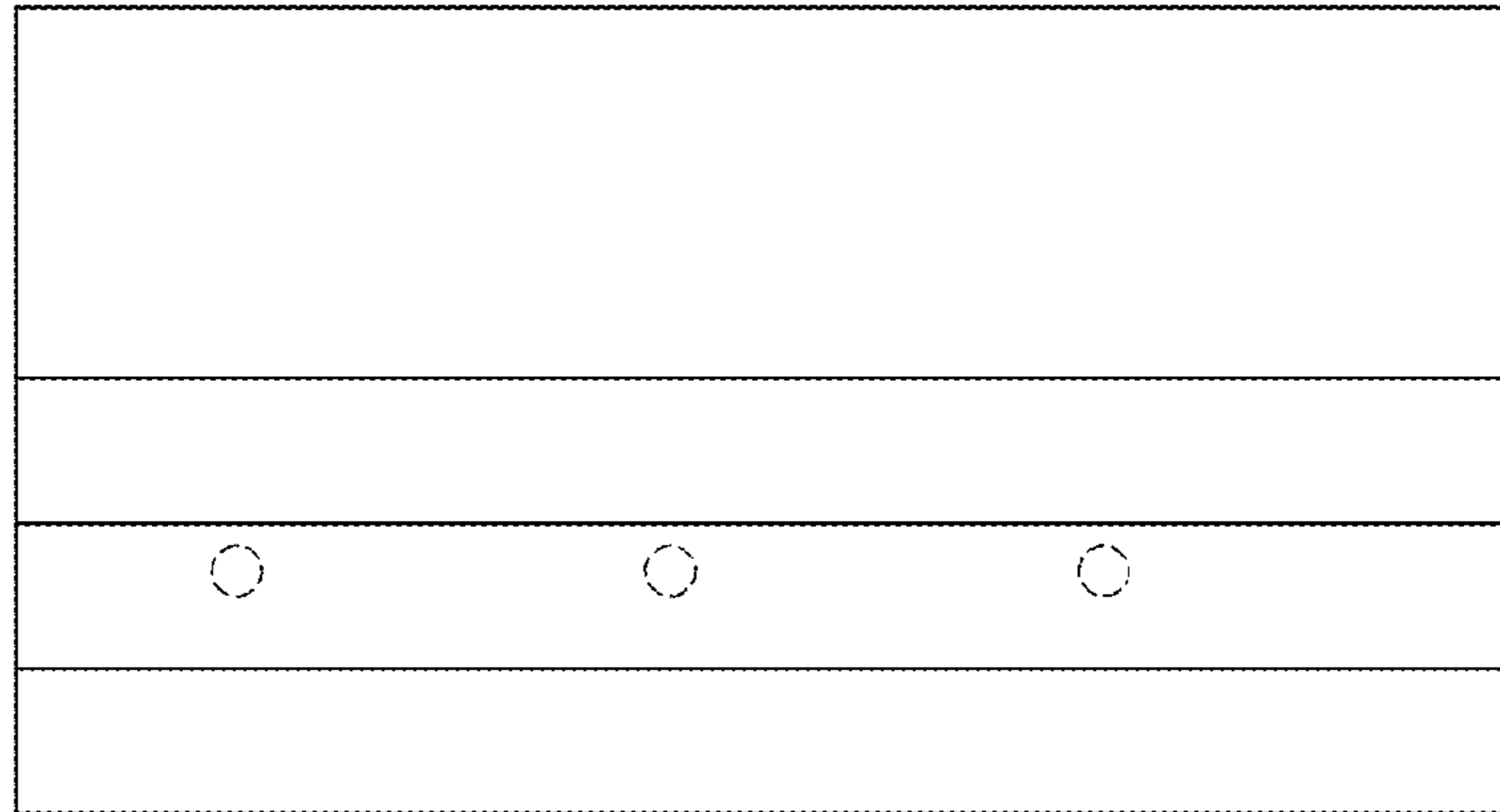


FIG. 13

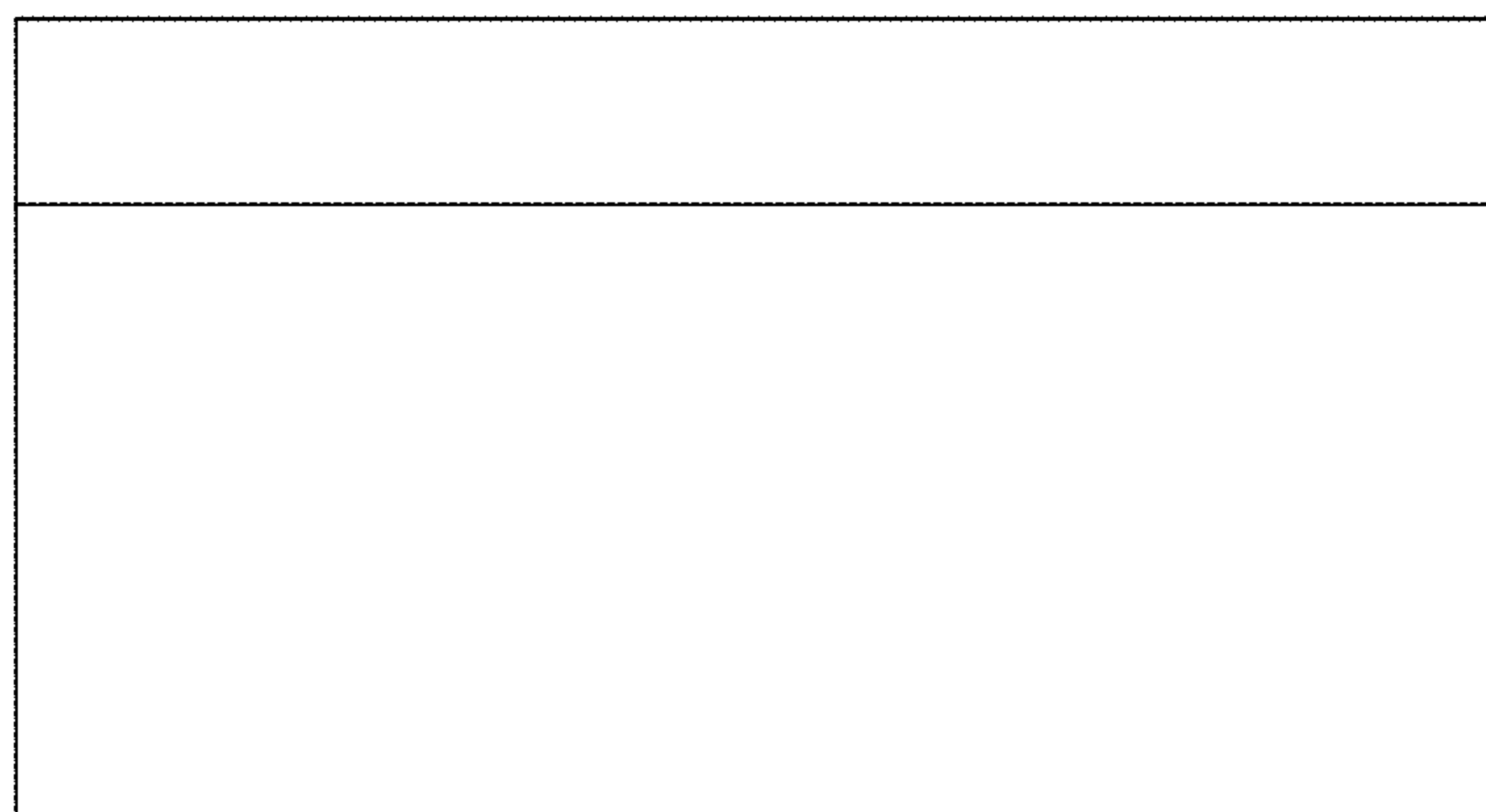


FIG. 14

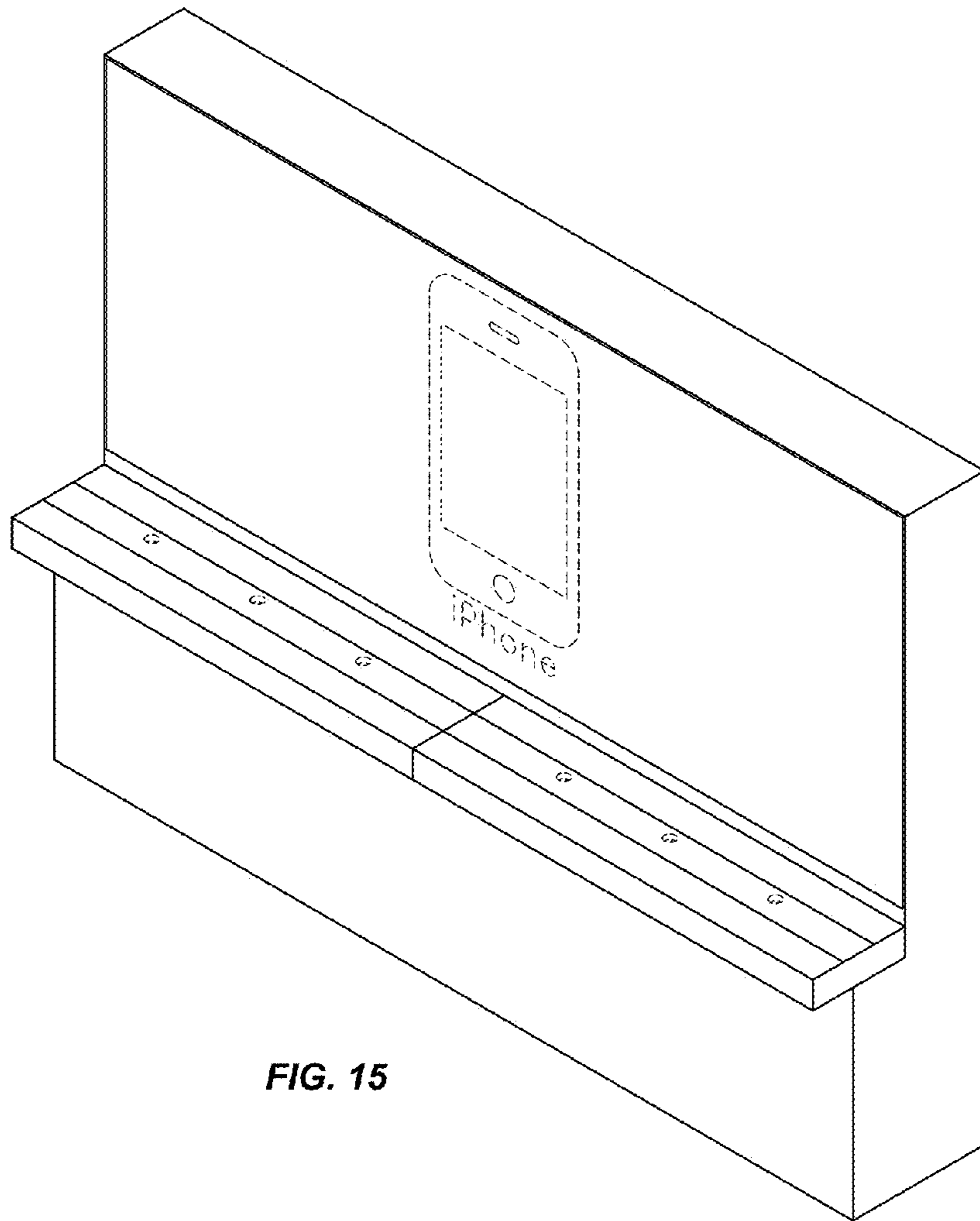


FIG. 15

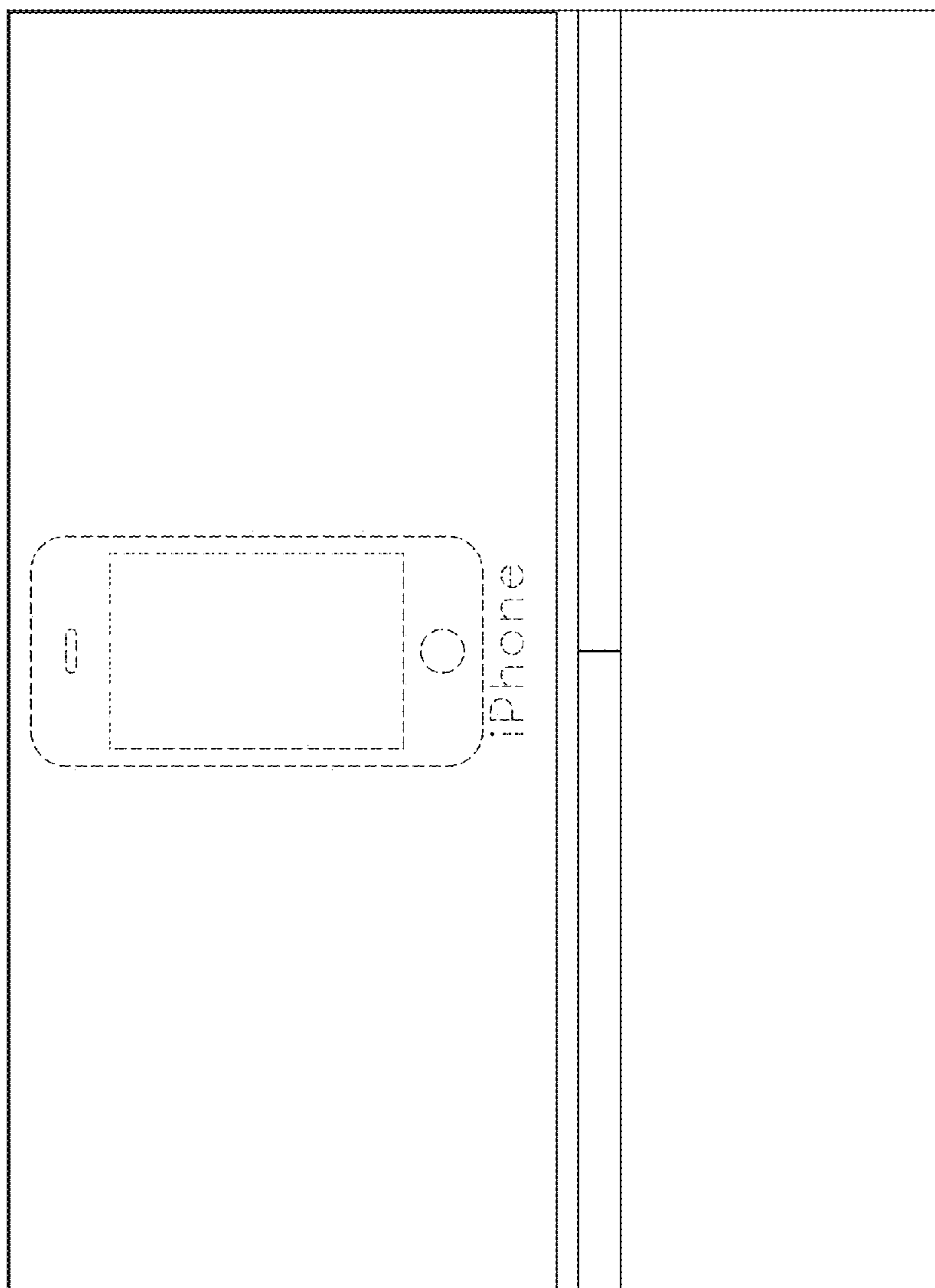


FIG. 16

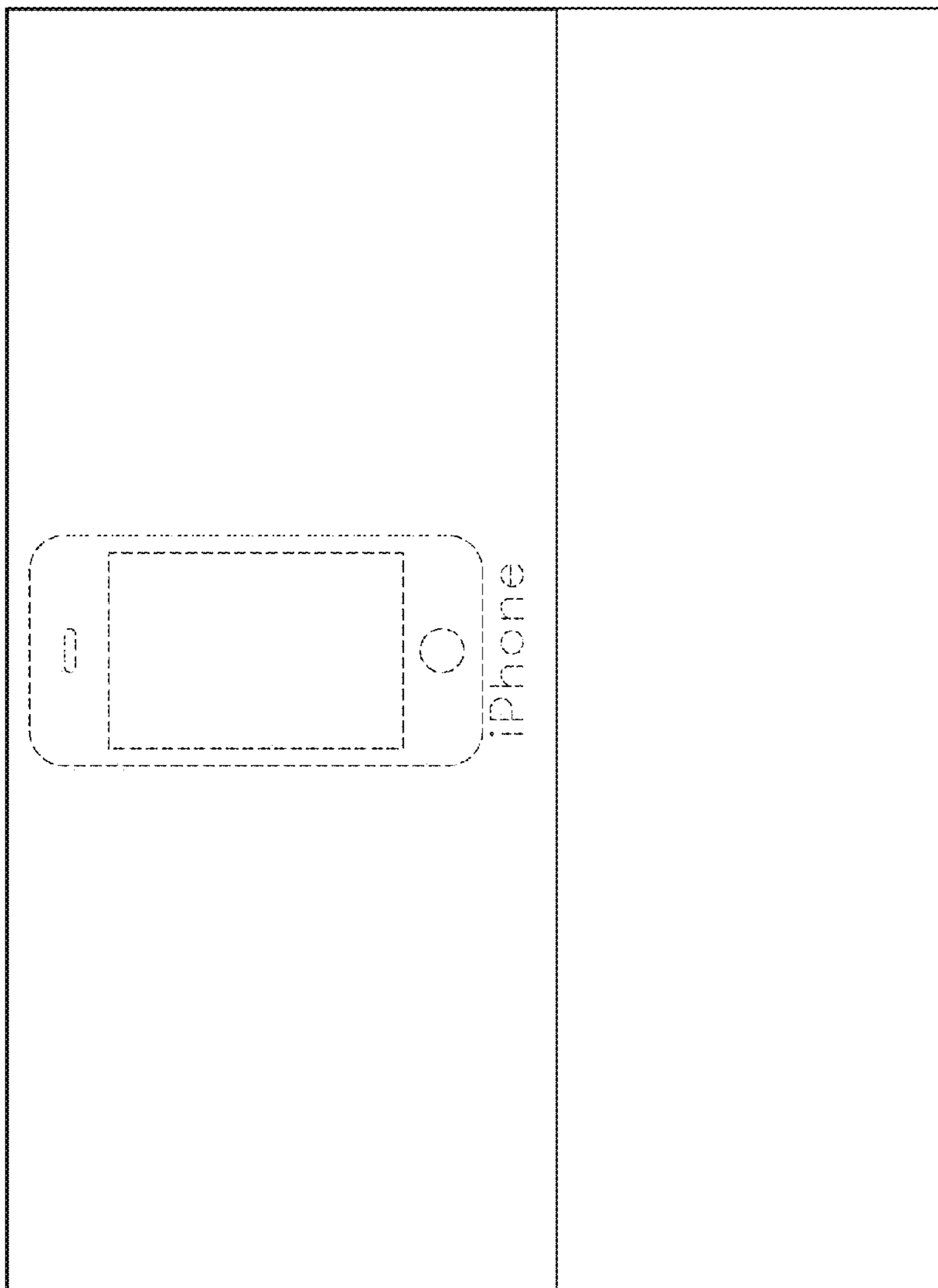


FIG. 17

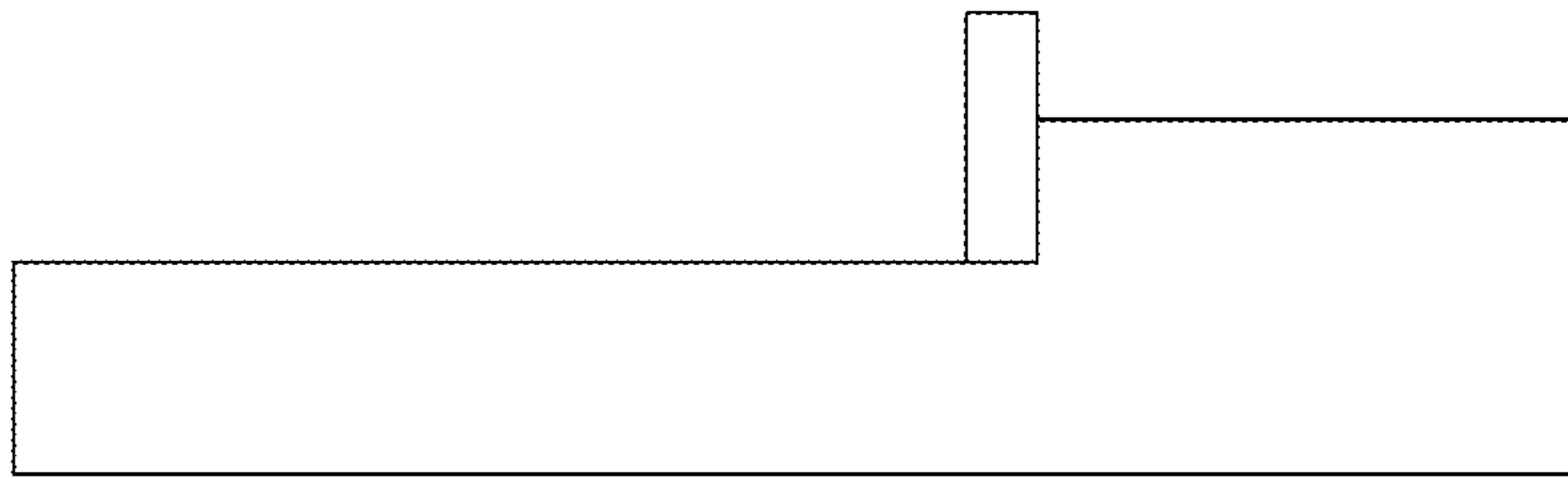


FIG. 19

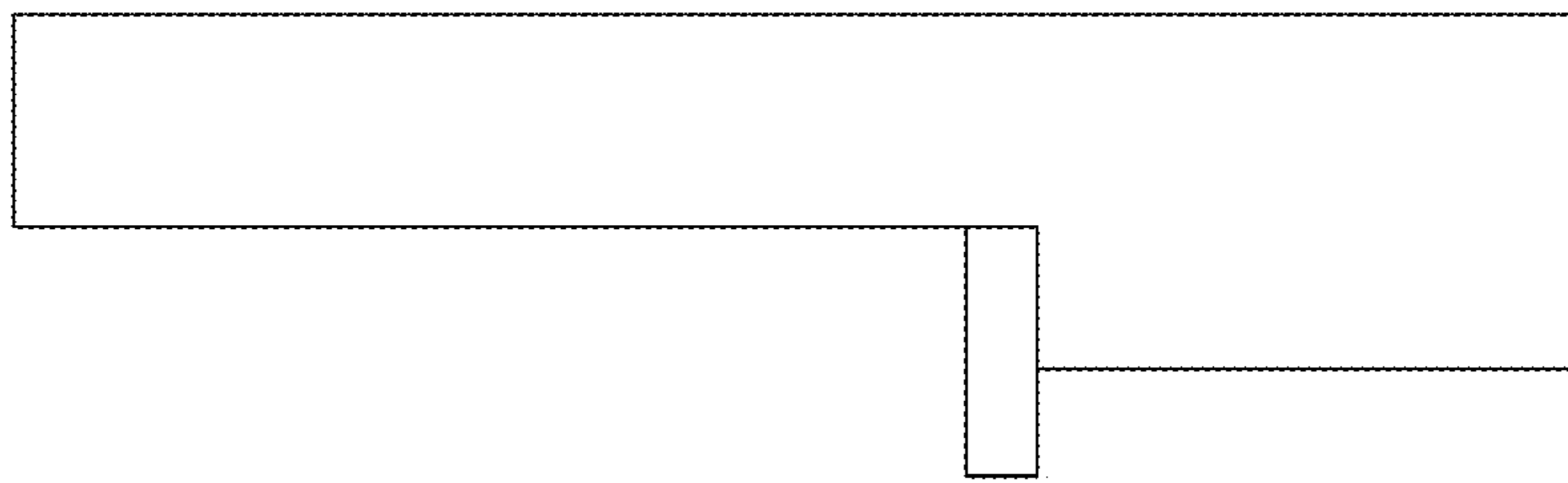


FIG. 18

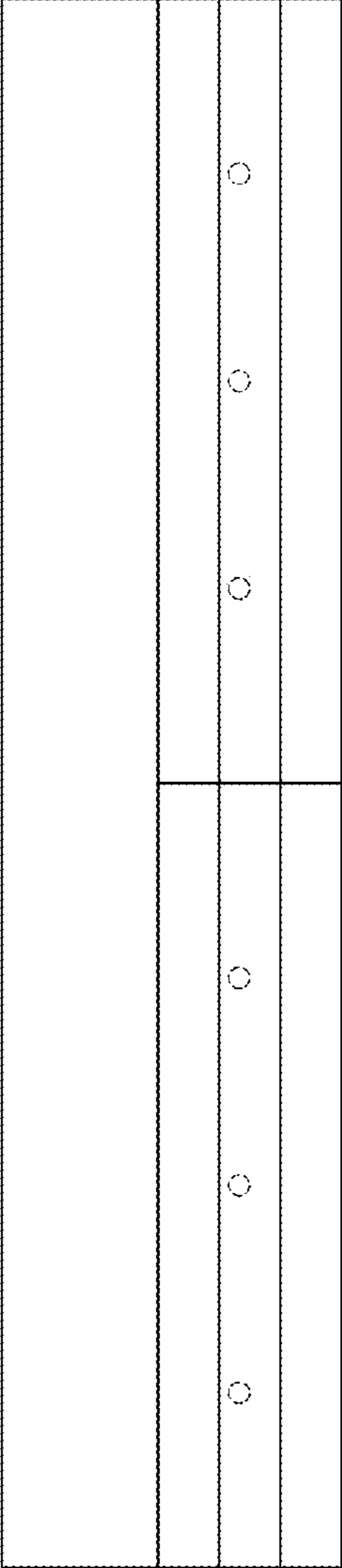


FIG. 20

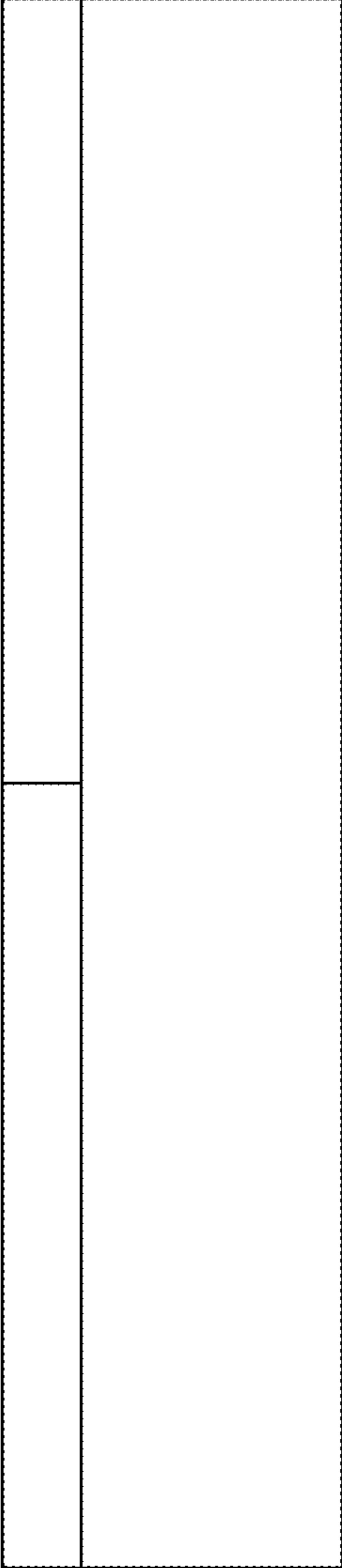


FIG. 21

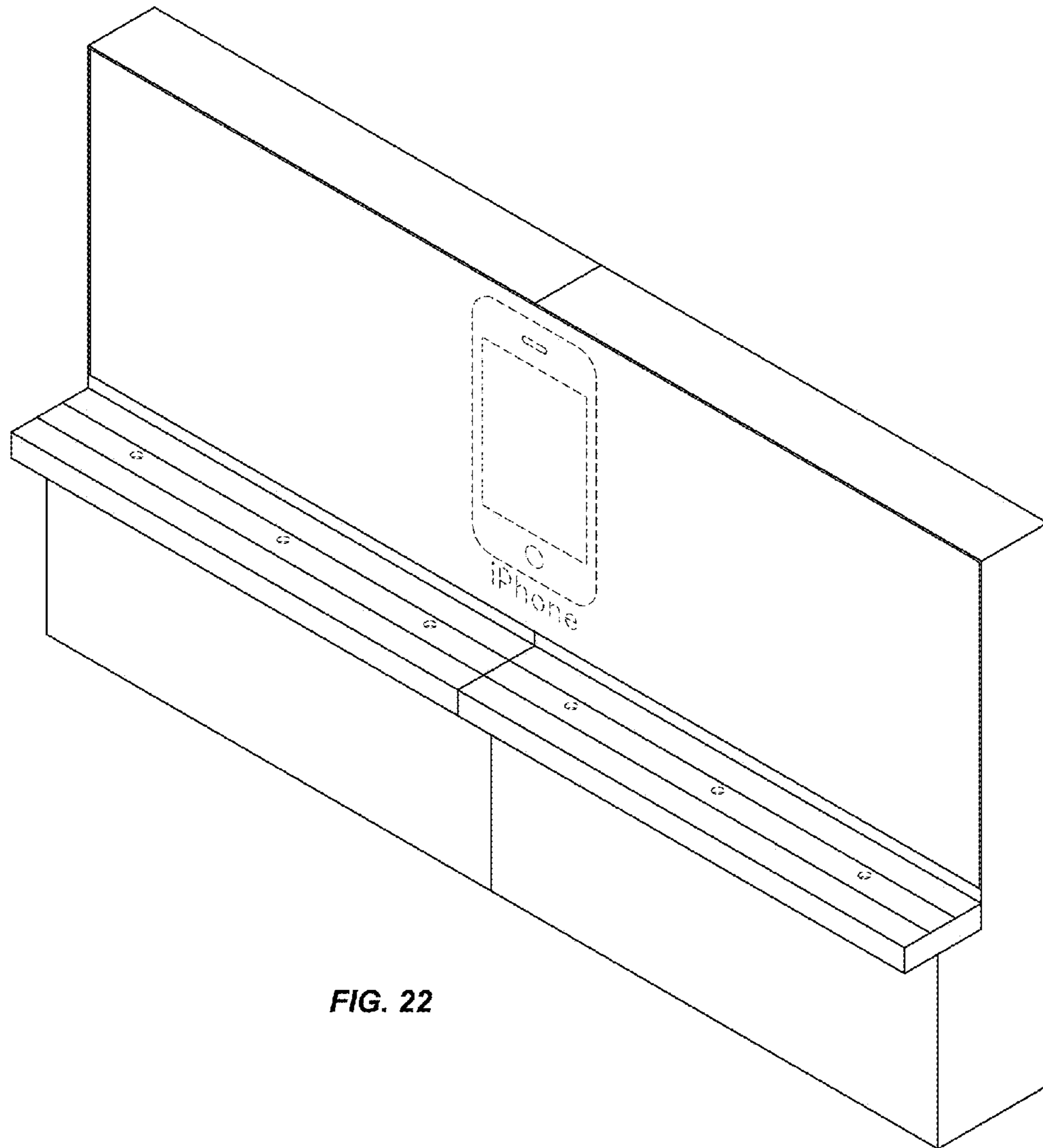


FIG. 22

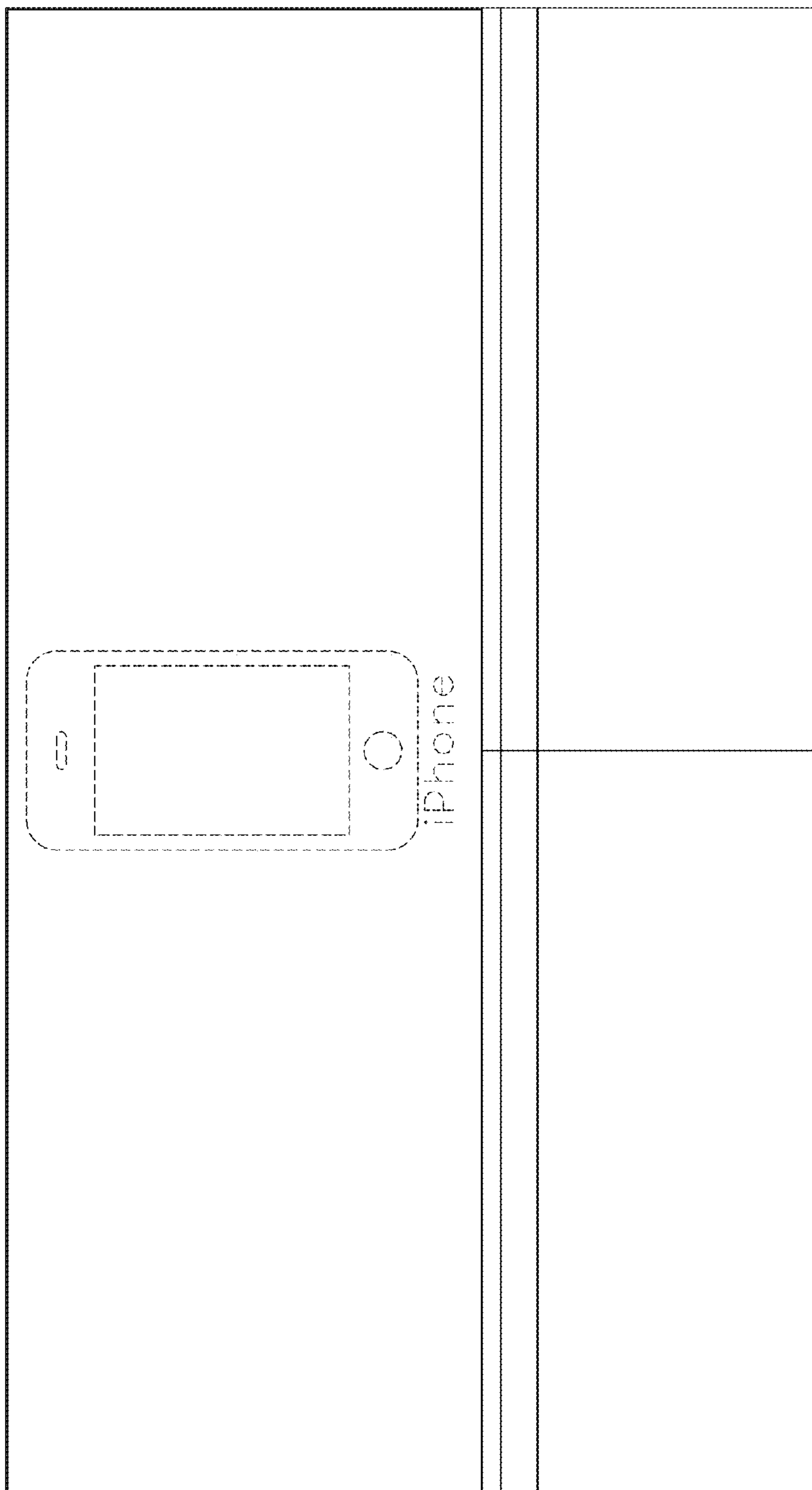


FIG. 23

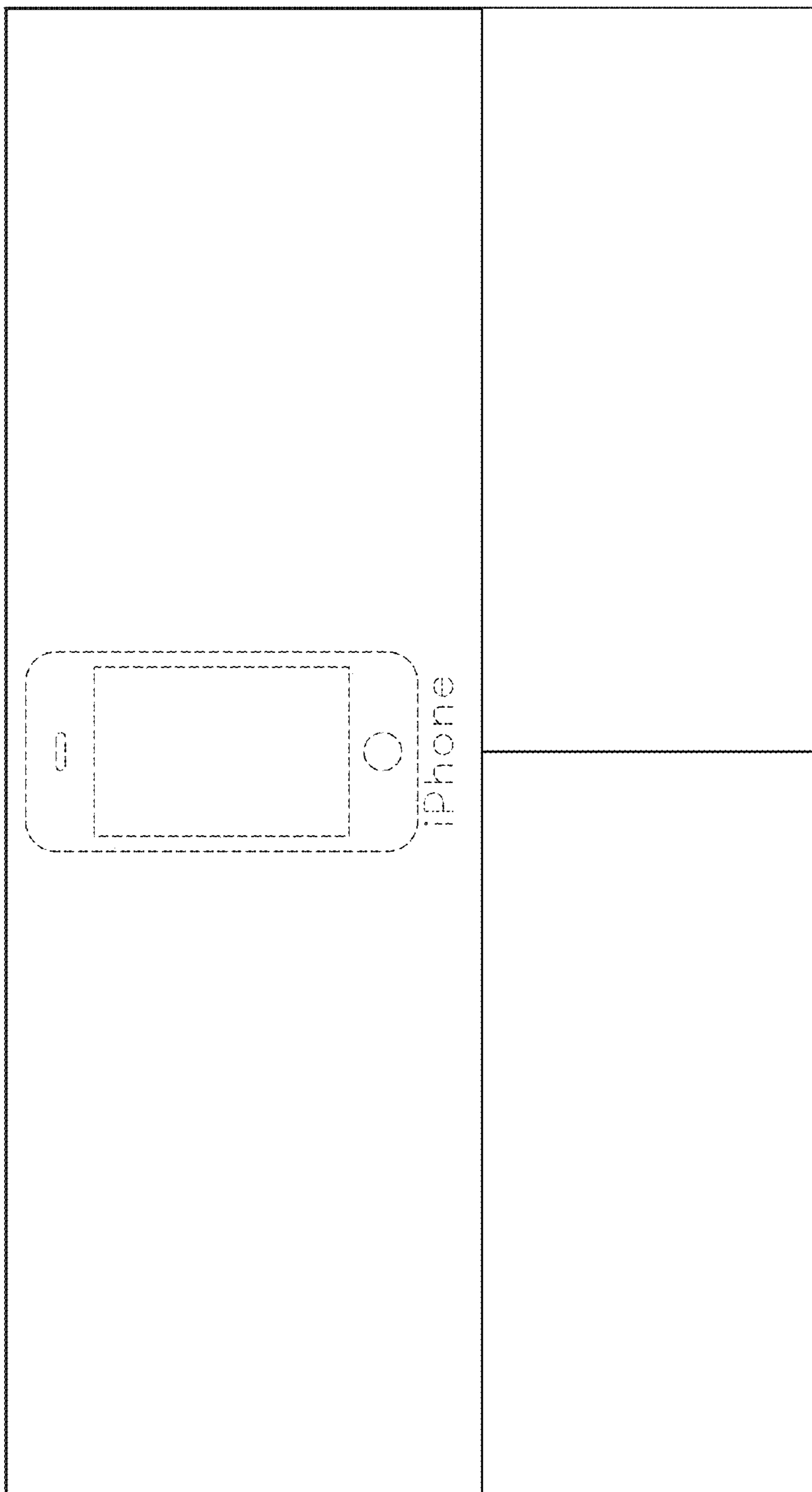


FIG. 24

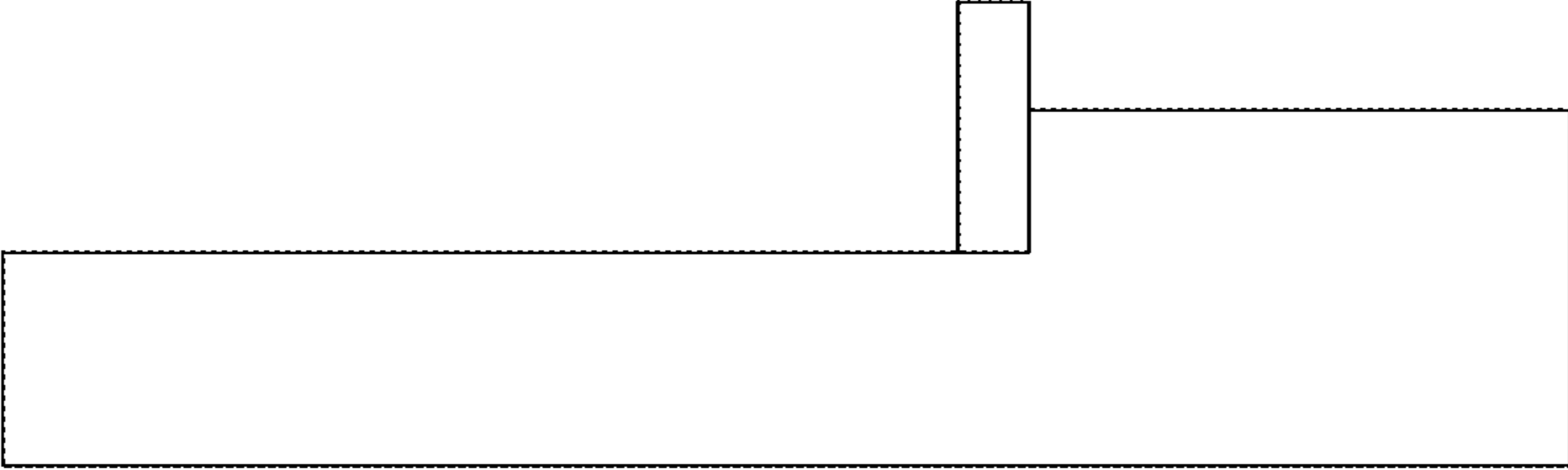


FIG. 26

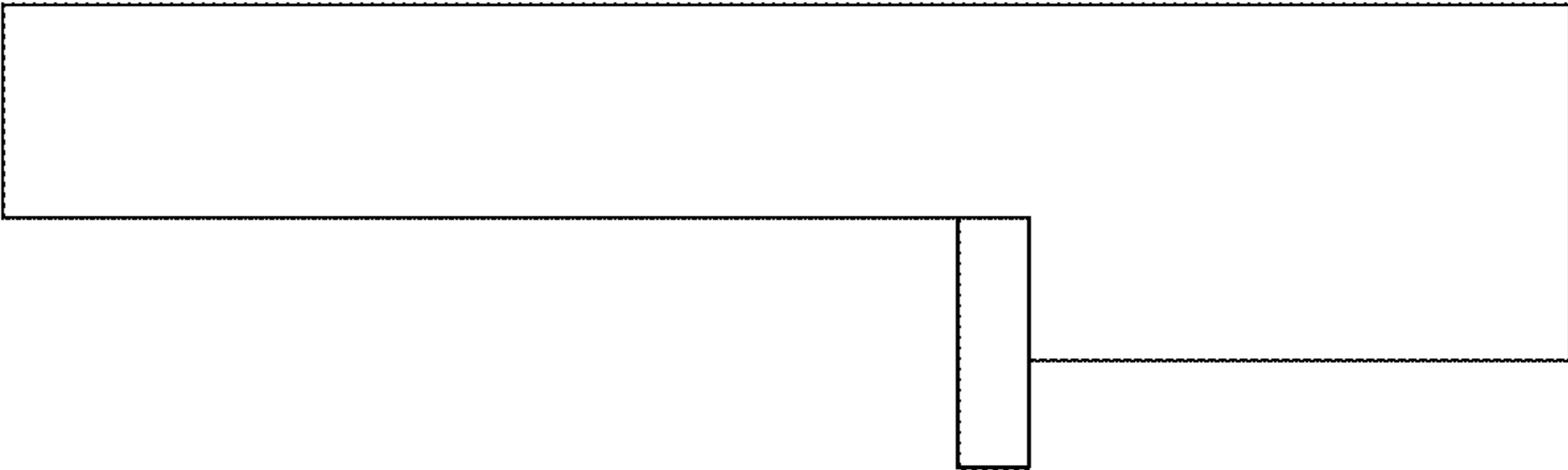


FIG. 25

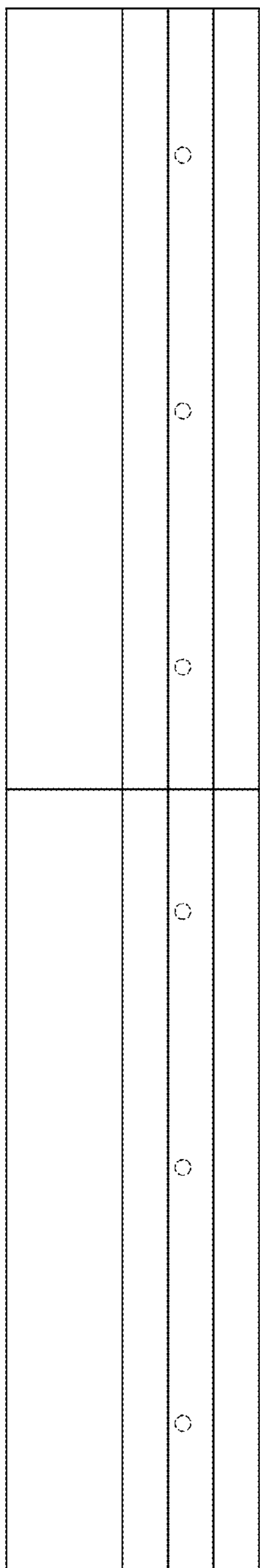


FIG. 27

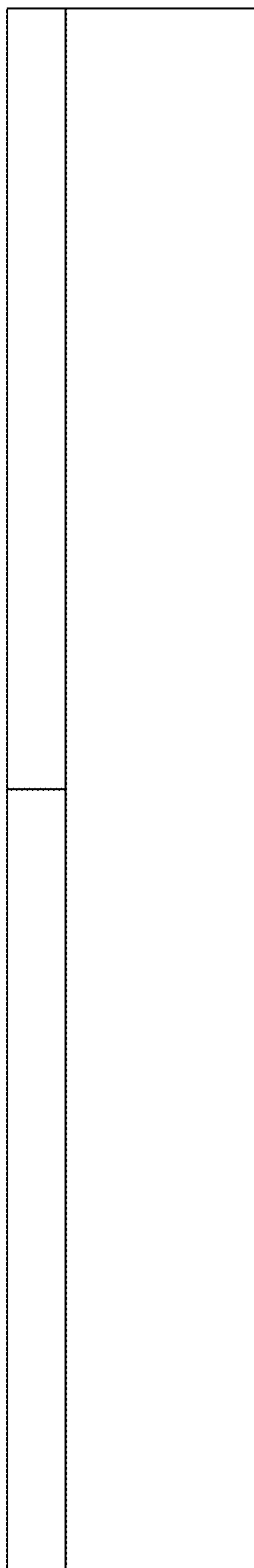


FIG. 28