



US00D713653S

(12) **United States Design Patent**  
**Sun Ting Kung et al.**

(10) **Patent No.:** **US D713,653 S**

(45) **Date of Patent:** **\*\* Sep. 23, 2014**

(54) **HAND LUBE DISPENSER**

221/26, 33, 282–283; 222/173, 180;  
248/309.1, 309.2, 905

(71) Applicant: **Rentokil Initial 1927 plc**, West Sussex  
(GB)

See application file for complete search history.

(72) Inventors: **Jeremy Sun Ting Kung**, Singapore  
(SG); **Michael Toh Chong Nam**,  
Singapore (SG); **Ryan Toh Kian Seng**,  
Singapore (SG); **Daze Lee**, Singapore  
(SG); **Danny Chu Wen Hing**, Singapore  
(SG); **Sit Wai Yong**, Singapore (SG);  
**Yazid Bin Ahmad**, Singapore (SG);  
**Chin Leong Kwek**, Singapore (SG);  
**Tsin Tsung Ooi**, Singapore (SG)

(56) **References Cited**

U.S. PATENT DOCUMENTS

D426,094 S *	6/2000	Carlson .....	D6/545
D451,736 S *	12/2001	Mast et al. ....	D6/545
D530,125 S *	10/2006	Vignot .....	D6/545
D591,544 S *	5/2009	Franjesevic et al. ....	D6/545
D620,292 S *	7/2010	Kim .....	D6/545
D655,962 S *	3/2012	Cittadino .....	D6/545
D662,342 S *	6/2012	Daniel .....	D6/545
D675,852 S *	2/2013	Bunoz .....	D6/545
D675,853 S *	2/2013	Bunoz .....	D6/545

\* cited by examiner

*Primary Examiner* — Brian N Vinson

(74) *Attorney, Agent, or Firm* — Merchant & Gould P.C.

(73) Assignee: **Rentokil Initial 1927 plc**, West Sussex  
(GB)

(\*\*) Term: **14 Years**

(57) **CLAIM**

The ornamental design for a hand lube dispenser, as shown  
and described.

(21) Appl. No.: **29/488,331**

(22) Filed: **Apr. 17, 2014**

**DESCRIPTION**

FIG. 1 is a perspective view showing our design;  
FIG. 2 is a top plan view thereof;  
FIG. 3 is a left side elevational view thereof;  
FIG. 4 is a front elevational view thereof;  
FIG. 5 is a right side elevational view thereof;  
FIG. 6 is a rear elevational view thereof; and,  
FIG. 7 is a bottom plan view thereof.

**Related U.S. Application Data**

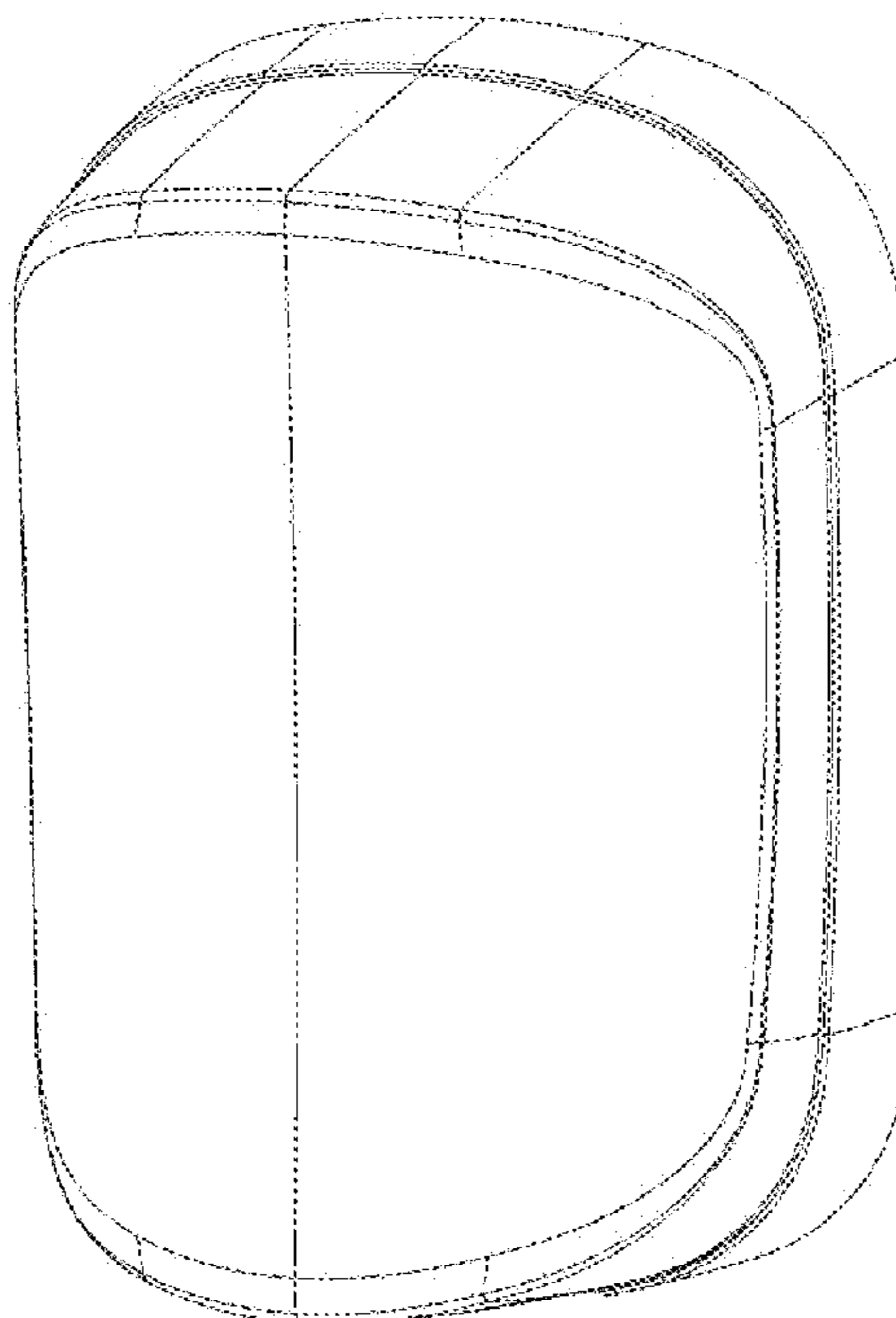
(62) Division of application No. 29/437,041, filed on Nov.  
12, 2012, now Pat. No. Des. 706,550.

(51) **LOC (10) Cl.** ..... **23-02**

(52) **U.S. Cl.**  
USPC ..... **D6/545**

(58) **Field of Classification Search**  
USPC ..... D6/515–523, 545; 206/225, 233, 389,  
206/391; 211/13.1, 45; 242/570, 590;

**1 Claim, 7 Drawing Sheets**



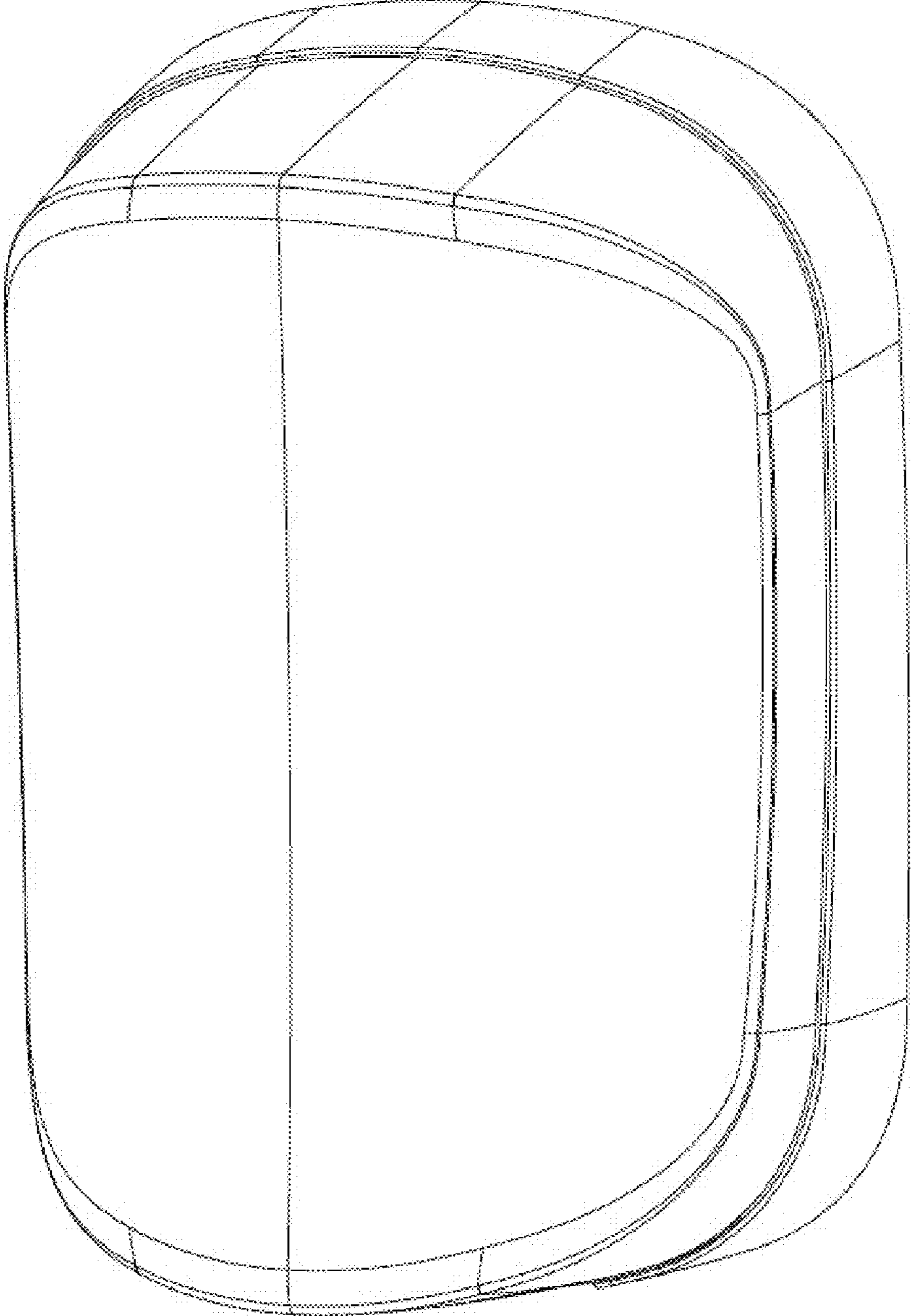


FIG. 1

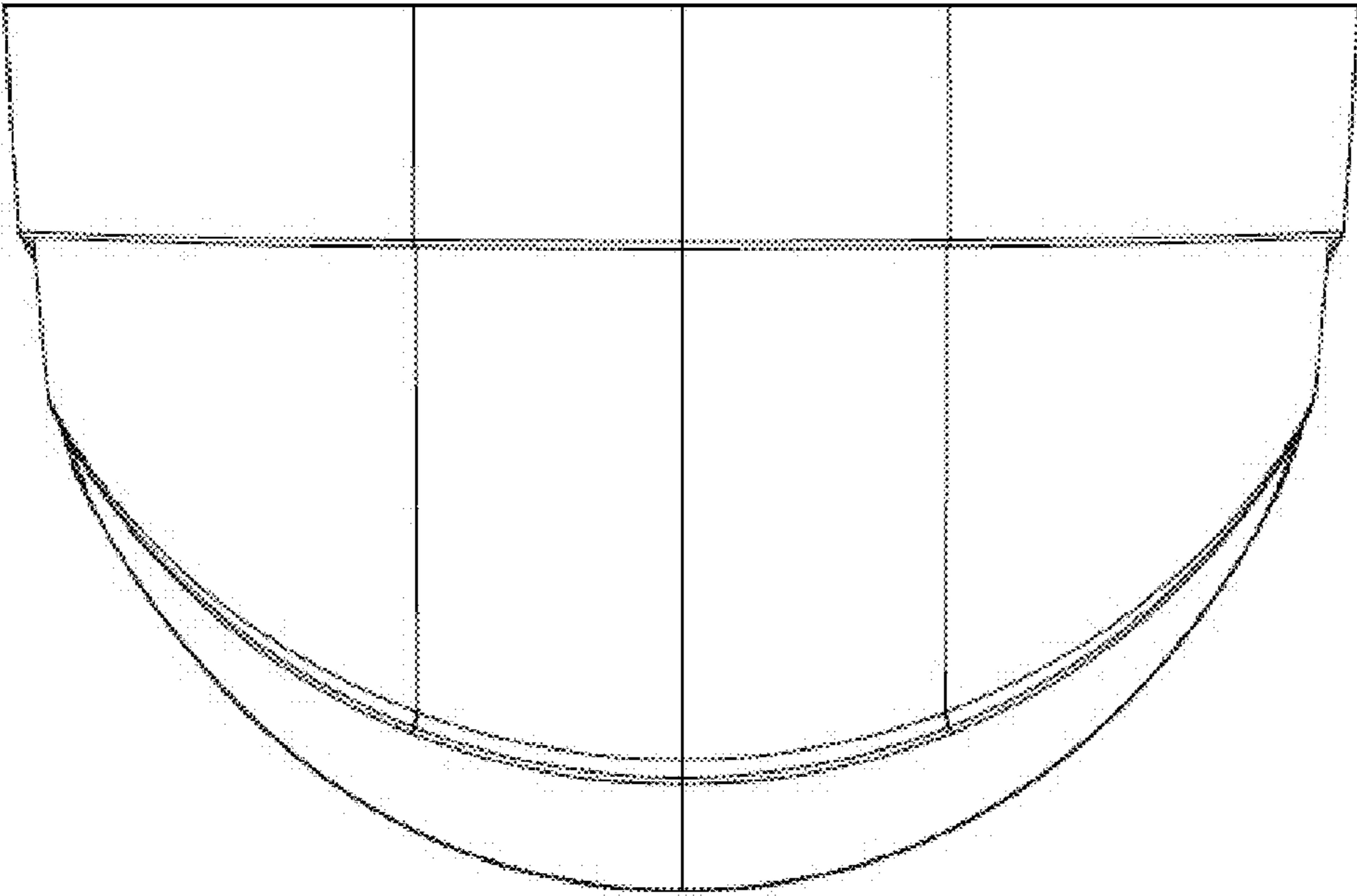


FIG. 2

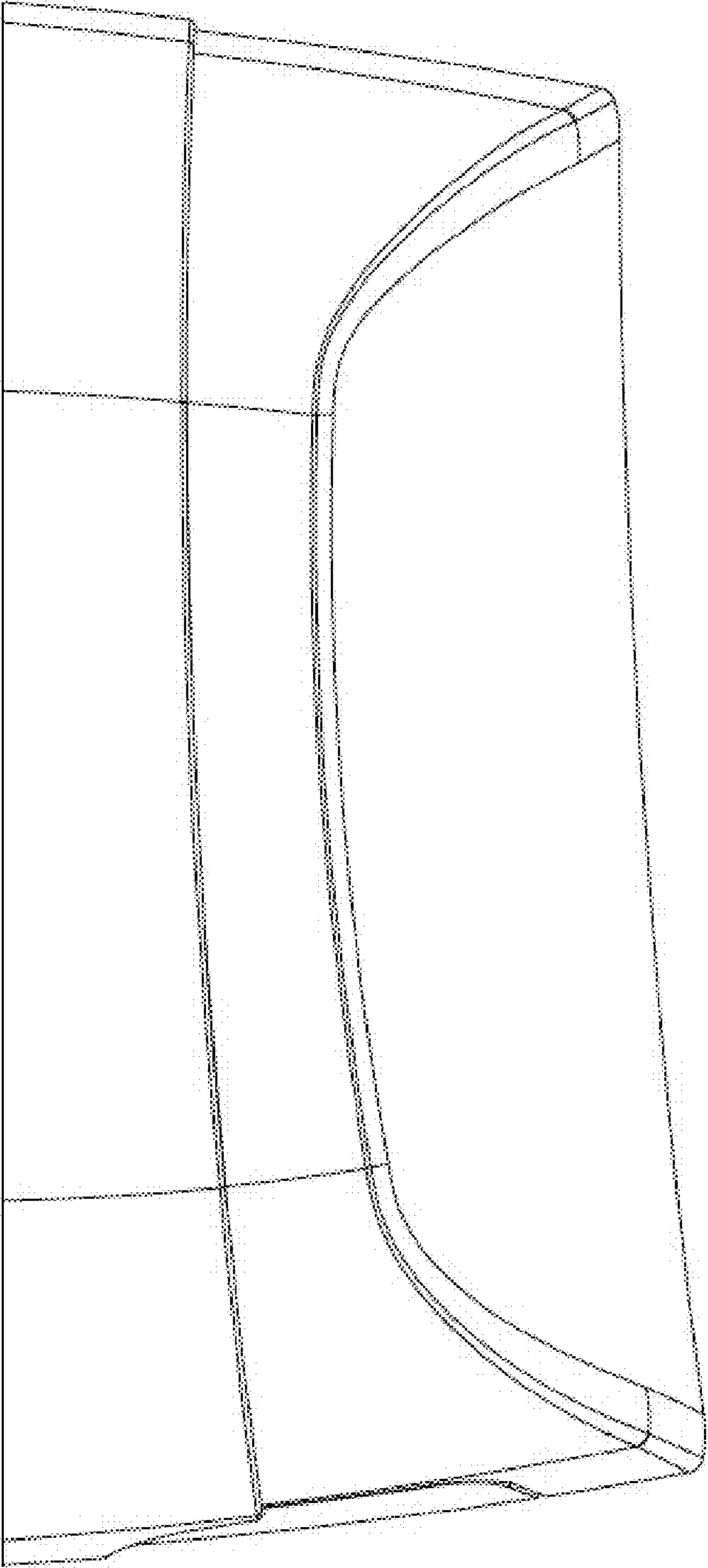


FIG. 3

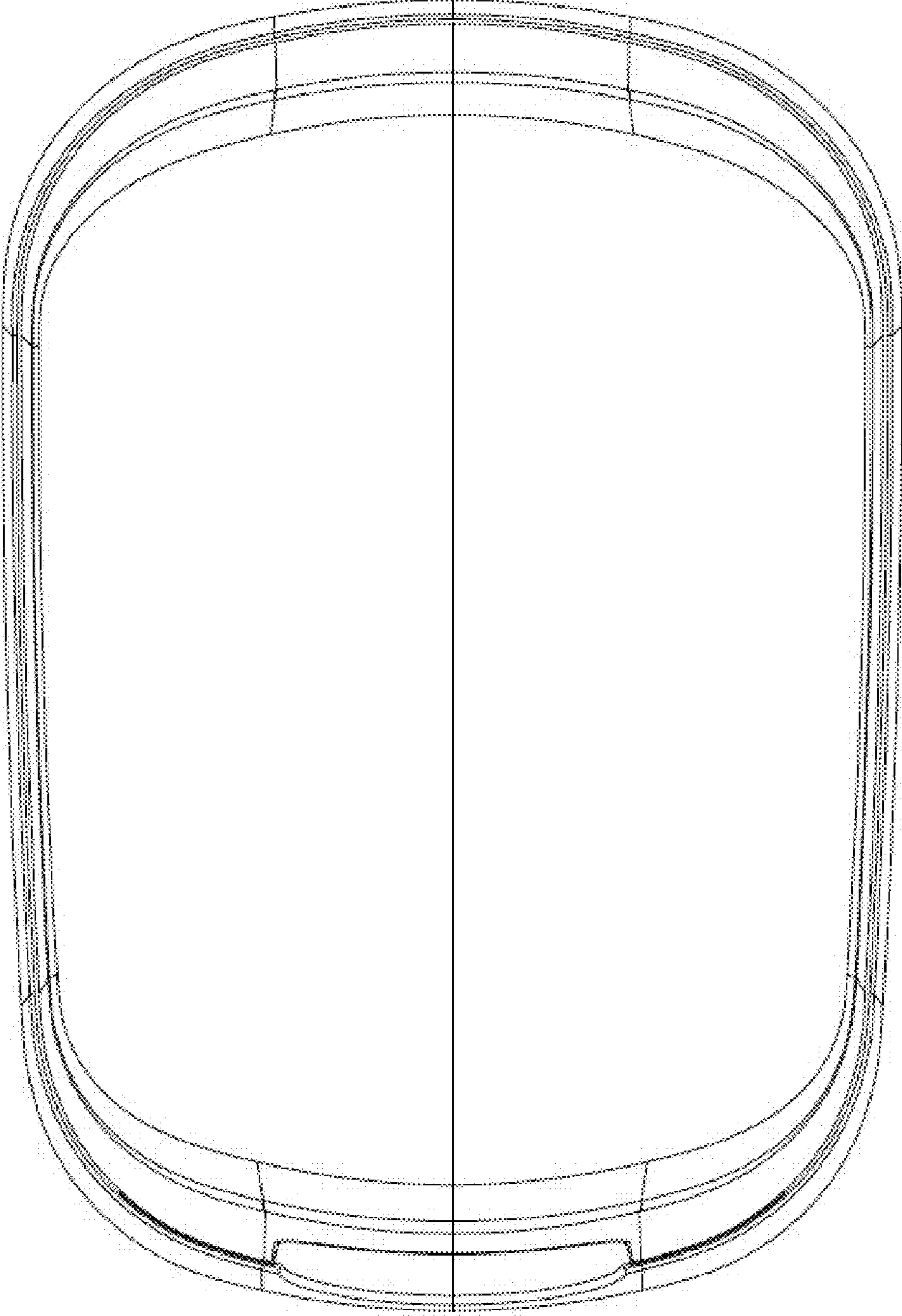


FIG. 4

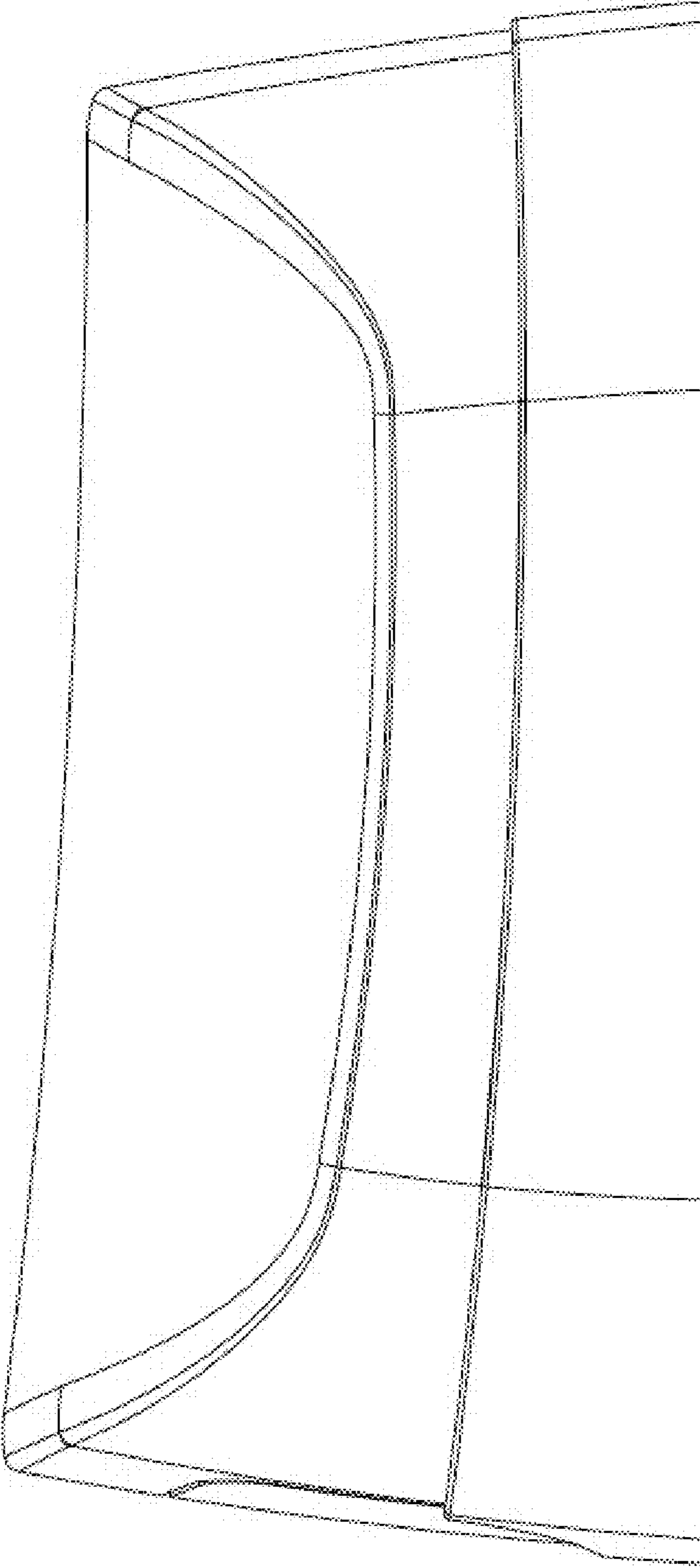


FIG. 5

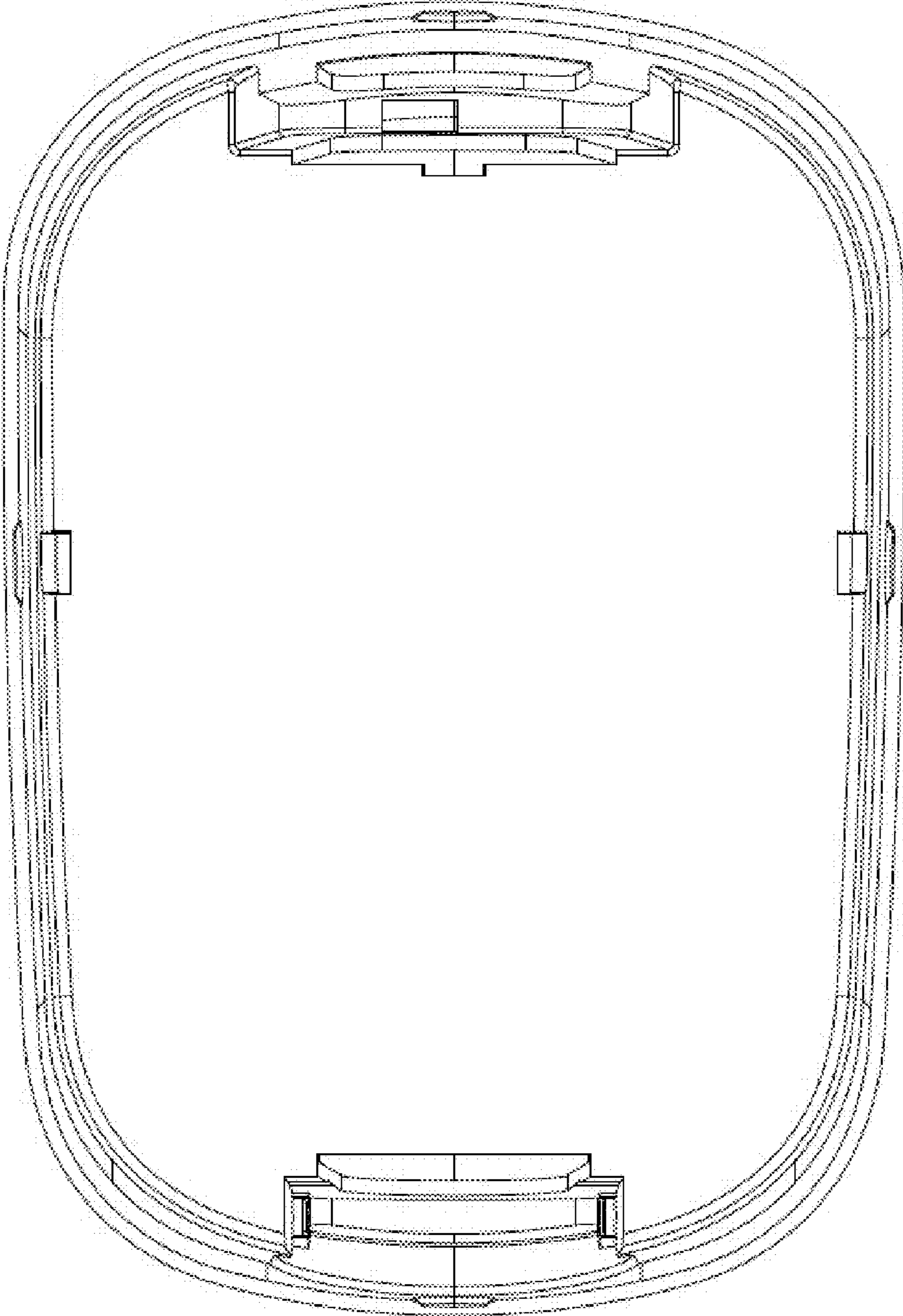


FIG. 6

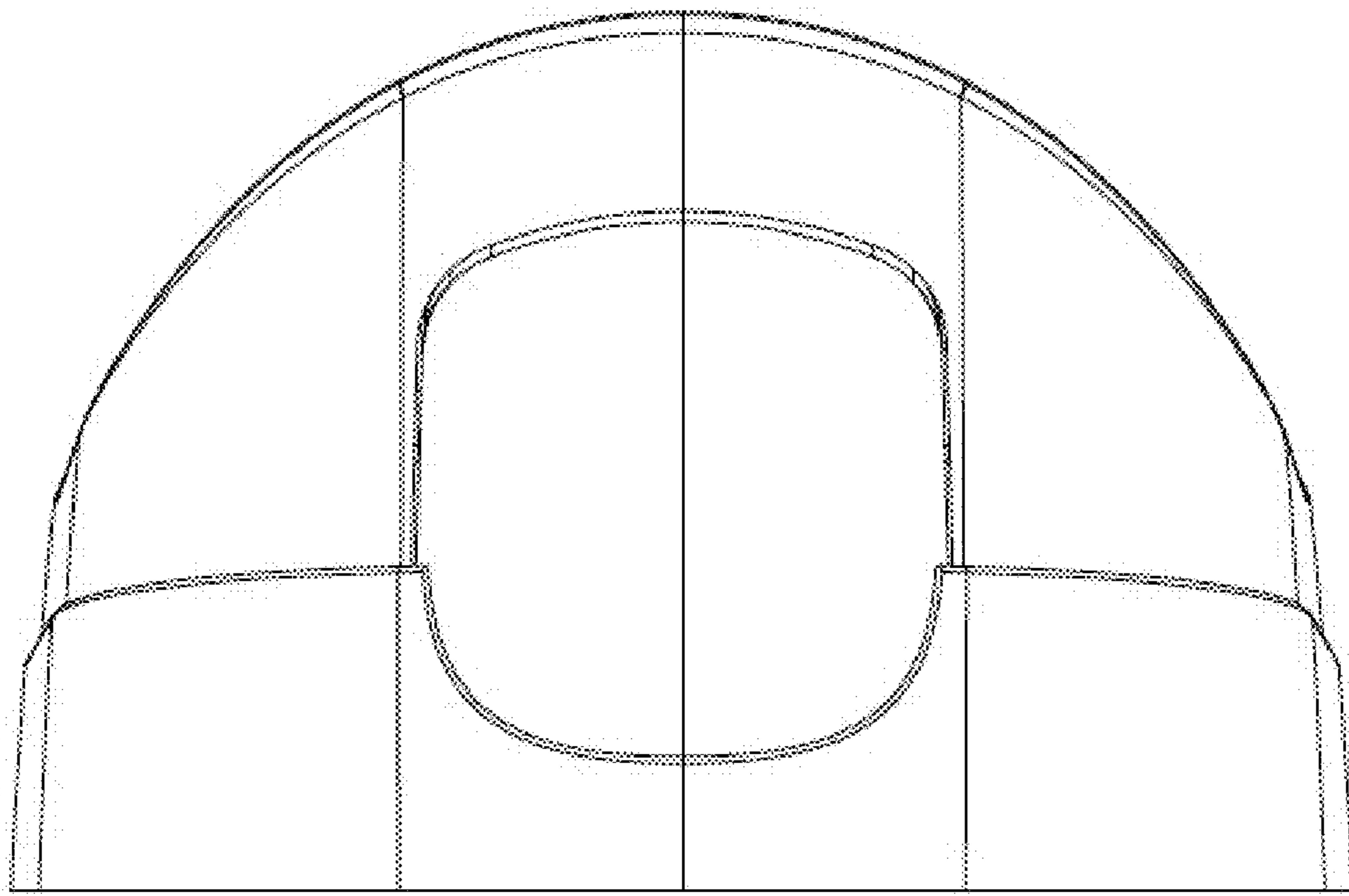


FIG. 7