



US00D713652S

(12) **United States Design Patent**
Barclay

(10) **Patent No.:** **US D713,652 S**

(45) **Date of Patent:** **** Sep. 23, 2014**

(54) **DRAINING SOAP DISH**

(71) Applicant: **Keith Allen Barclay**, Middlesex, NJ
(US)

(72) Inventor: **Keith Allen Barclay**, Middlesex, NJ
(US)

(**) Term: **14 Years**

(21) Appl. No.: **29/481,931**

(22) Filed: **Feb. 12, 2014**

(51) **LOC (10) Cl.** **23-02**

(52) **U.S. Cl.**
USPC **D6/536**

(58) **Field of Classification Search**
USPC D6/536-540, 532; D7/502, 550, 554.2;
D9/682, 690, 692; 206/77.1, 557, 587,
206/823; 211/13.1, 85.4, 85.12, 88.01;
248/176.1

See application file for complete search history.

(56) **References Cited**

U.S. PATENT DOCUMENTS

D130,579 S * 12/1941 Dreyfuss D6/536
4,993,546 A * 2/1991 Southard D6/536

D376,284 S * 12/1996 Keeley D6/536
D385,137 S * 10/1997 von Seidel D6/536
D485,105 S * 1/2004 Loor D6/536
D666,041 S * 8/2012 Hwang D6/536

* cited by examiner

Primary Examiner — Brian N Vinson

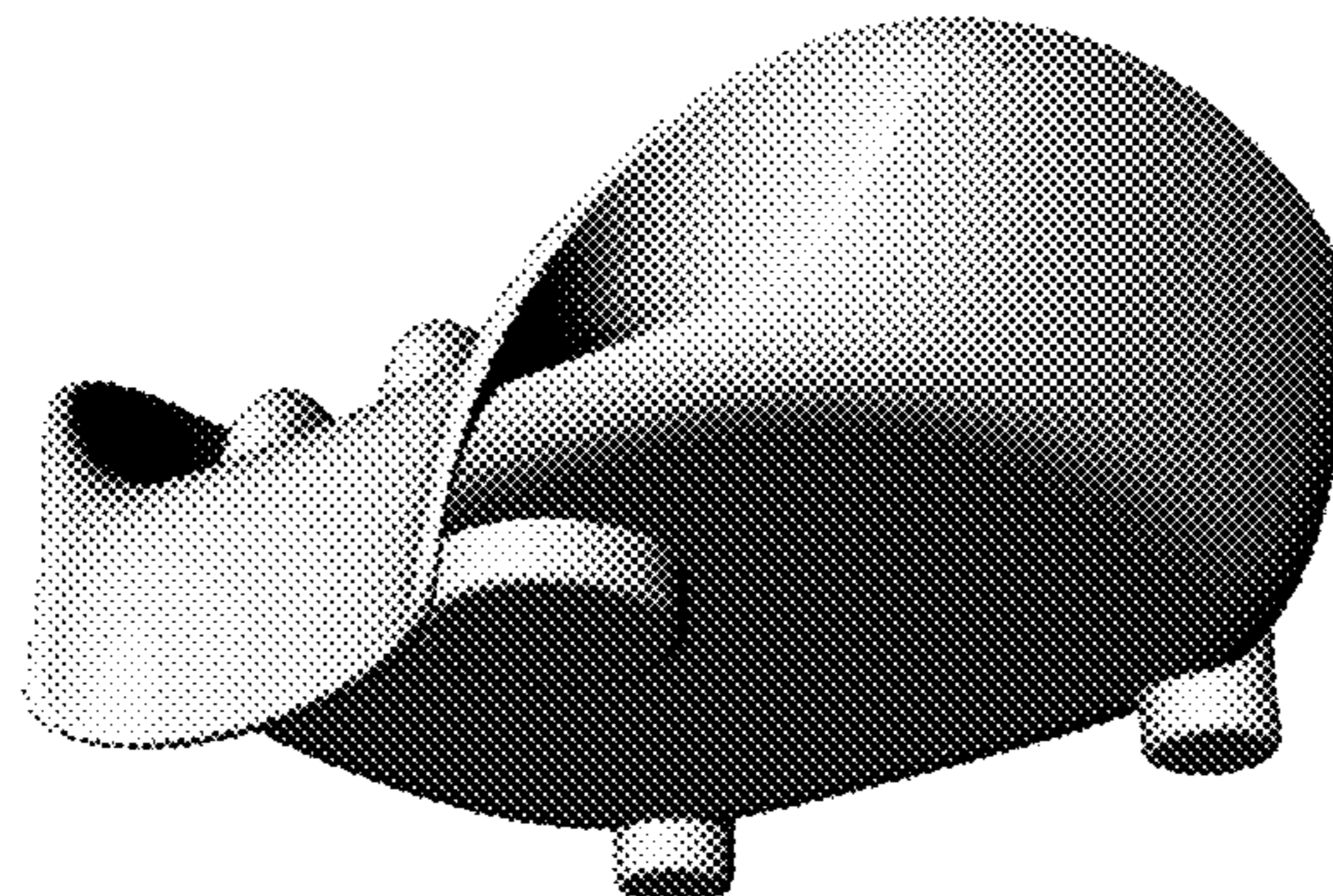
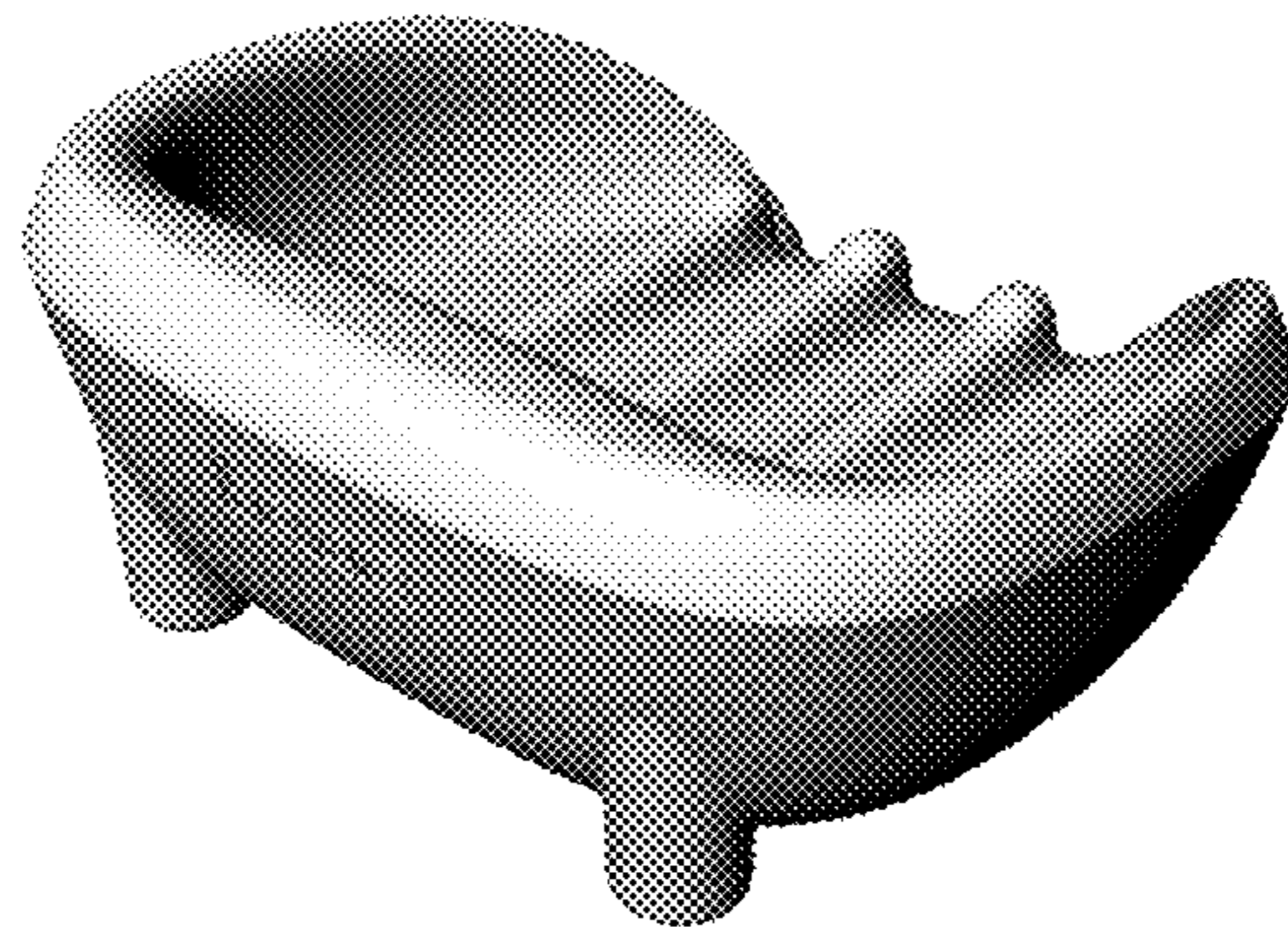
(57) **CLAIM**

The ornamental design for a draining soap dish, as shown.

DESCRIPTION

FIG. 1 is a front elevation view thereof.
FIG. 2 is a right side elevation view, the left side being a mirror image thereof.
FIG. 3 is a back elevation view thereof.
FIG. 4 is a top plan view thereof.
FIG. 5 is a top, front, right perspective view thereof.
FIG. 6 is a top, back, left perspective view thereof.
FIG. 7 is a bottom, front, right perspective view thereof.
FIG. 8 is a bottom, back, left perspective view thereof; and,
FIG. 9 is a bottom plan view thereof.
The claimed draining soap dish is used to hold a bar of soap at a sink, in a shower, or on a tub, while keeping the soap from sitting in any amount of water.

1 Claim, 4 Drawing Sheets



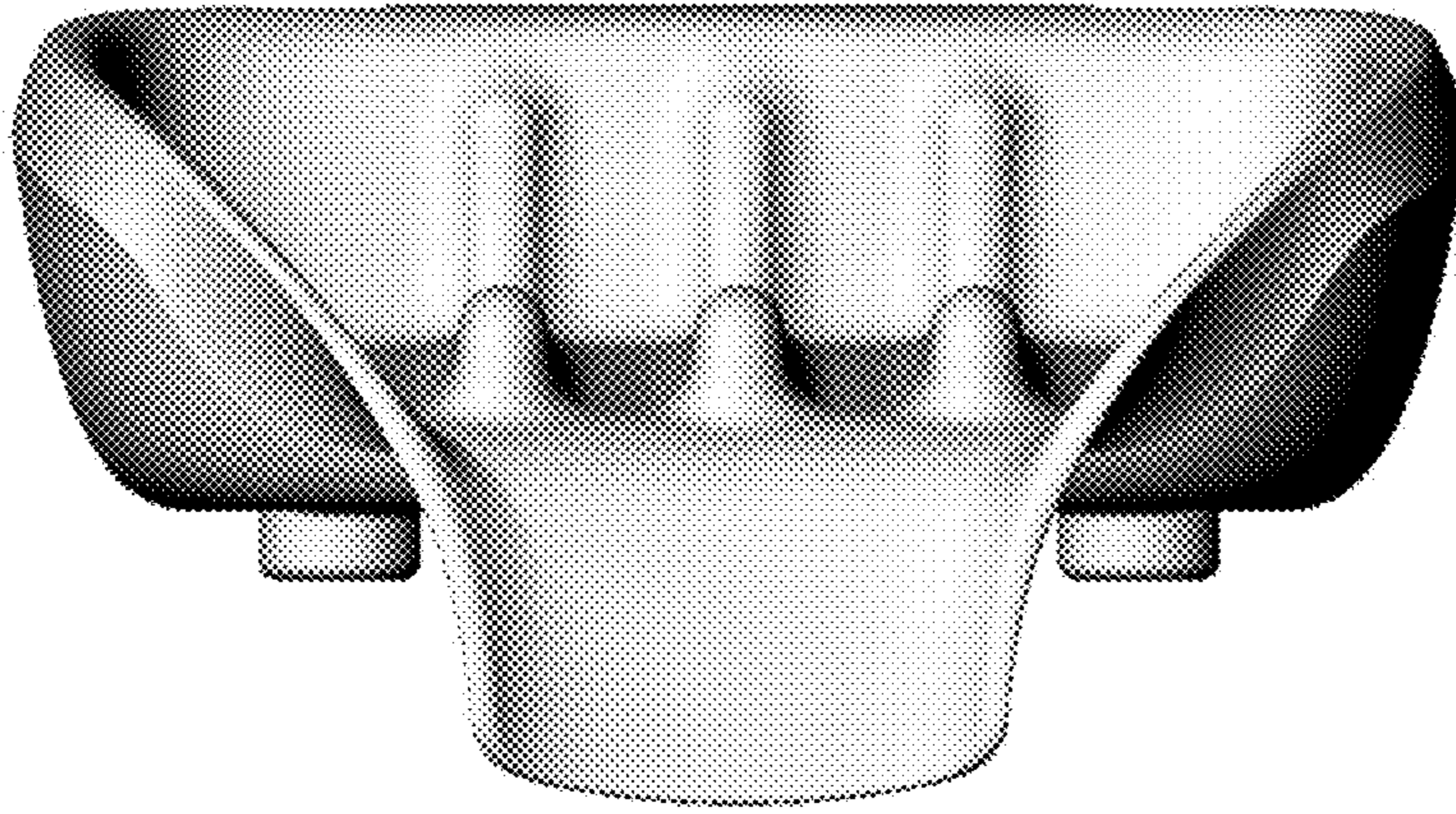


FIG. 1

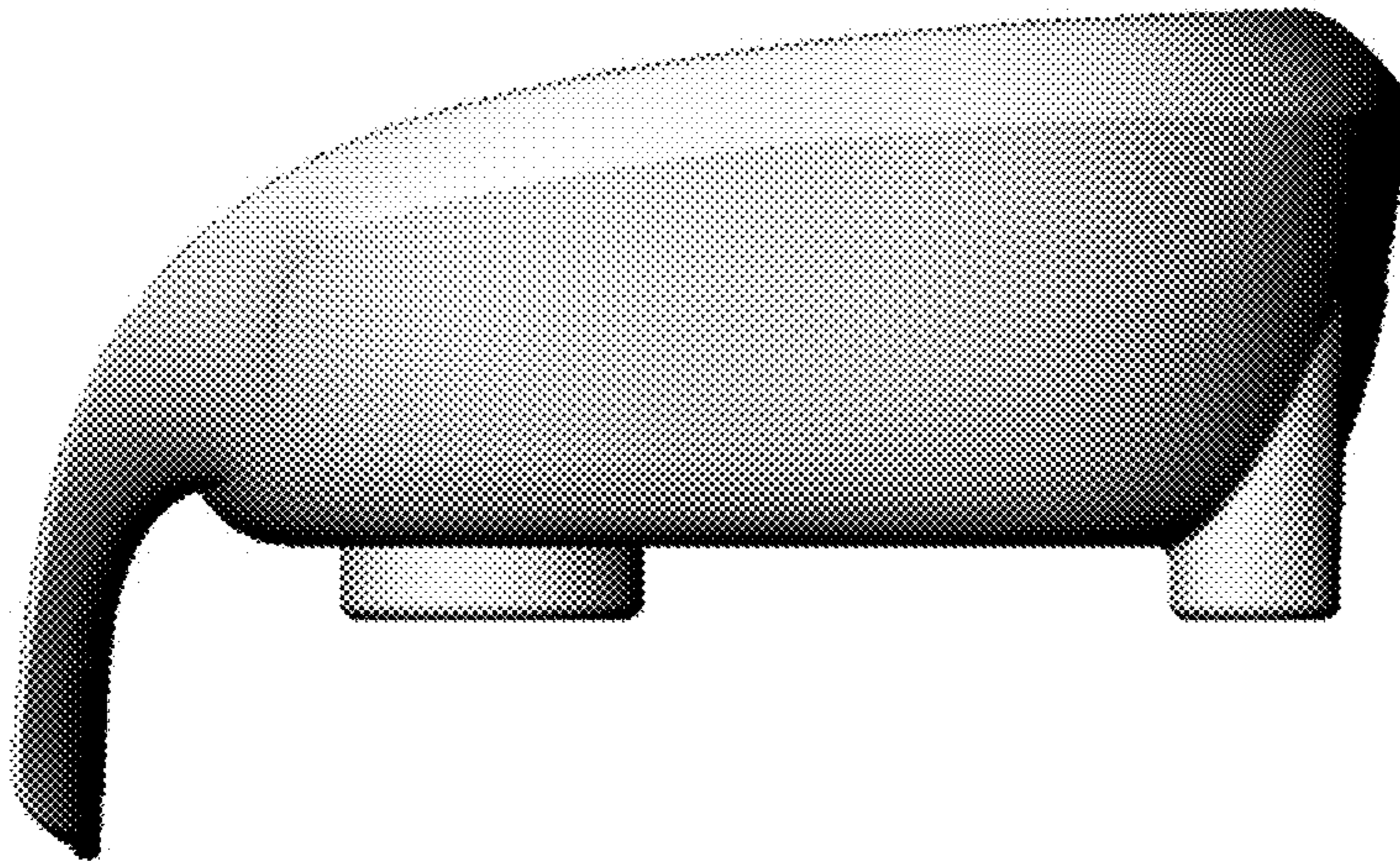


FIG. 2

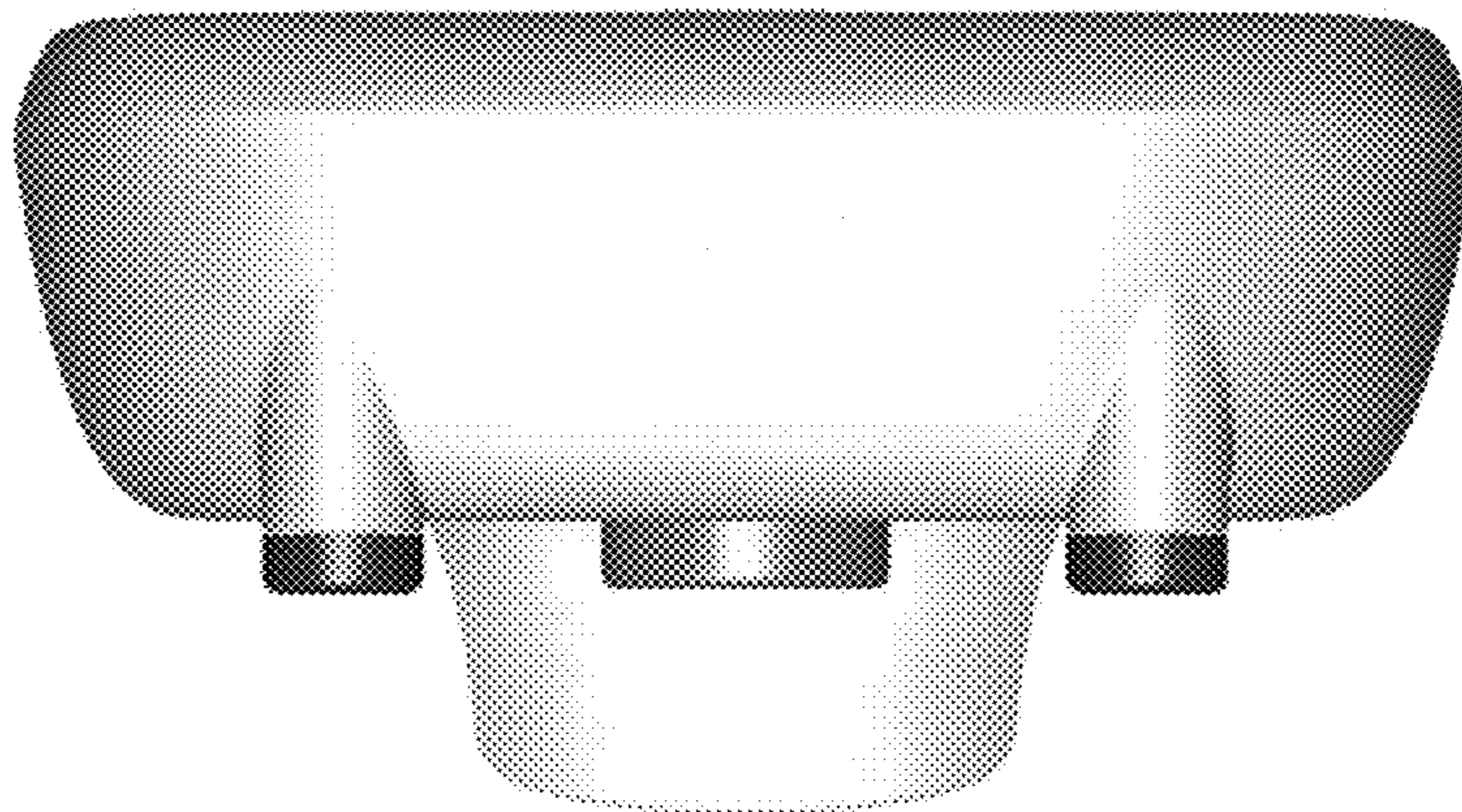


FIG. 3

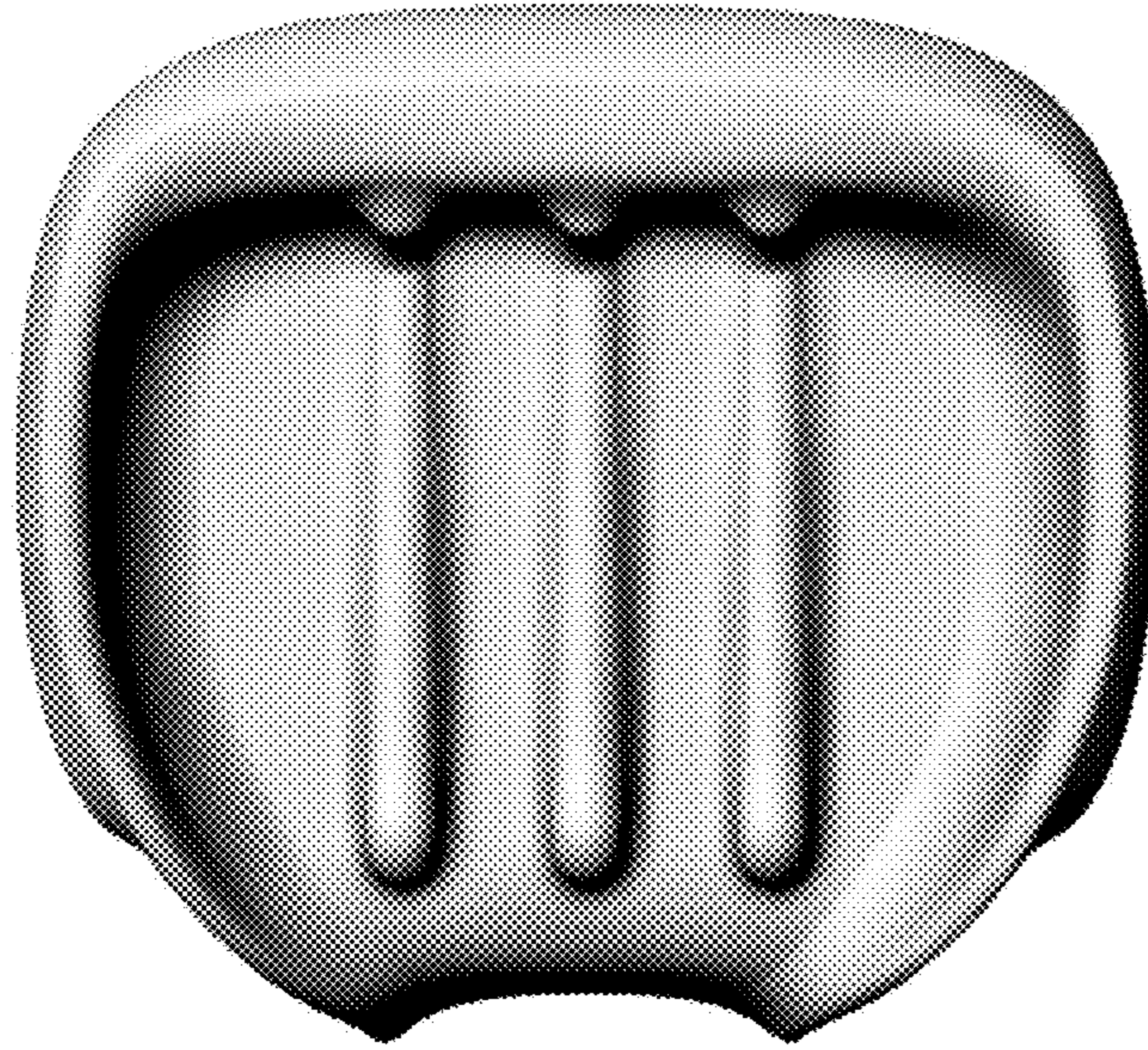


FIG. 4

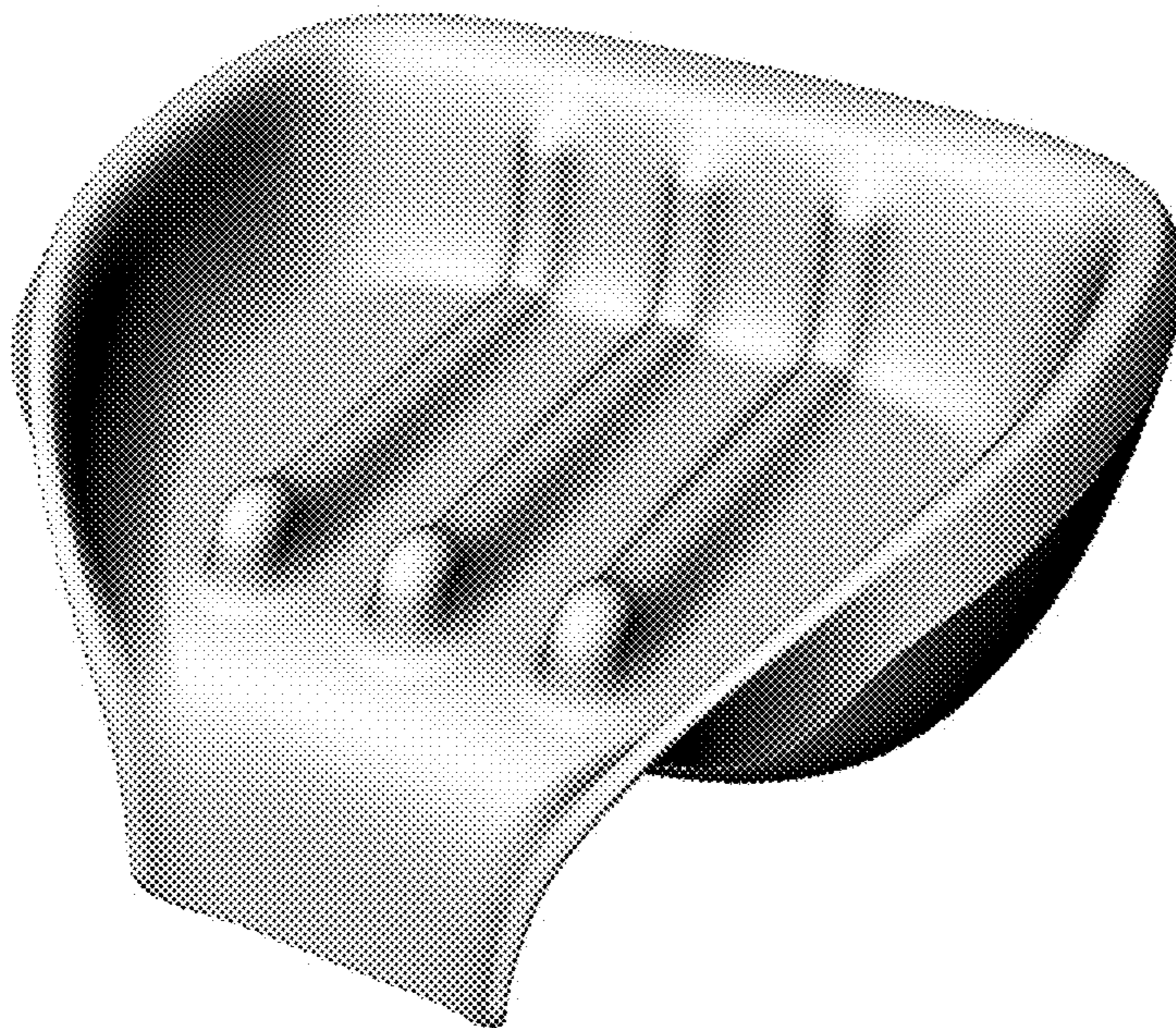


FIG. 5

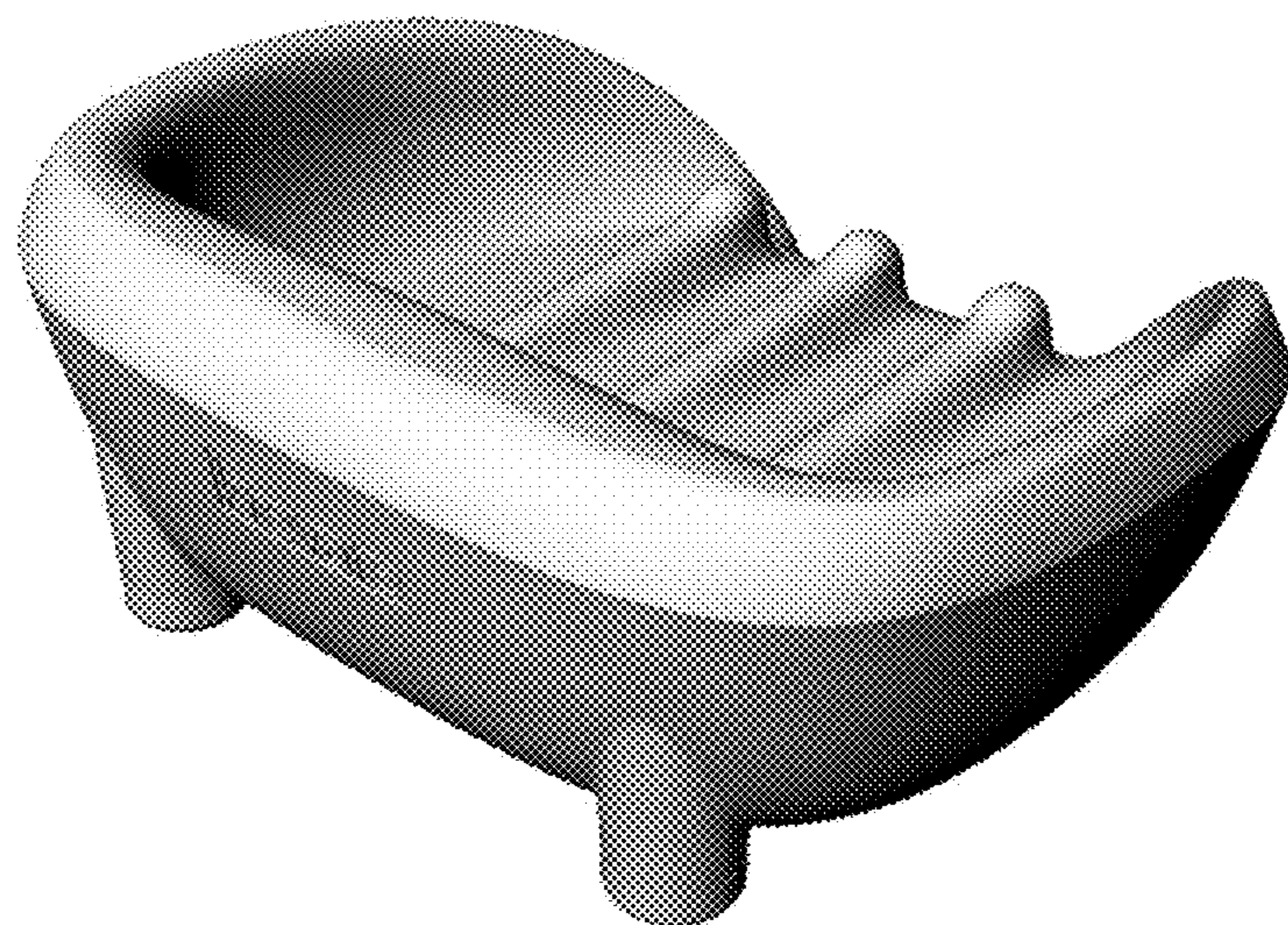


FIG. 6

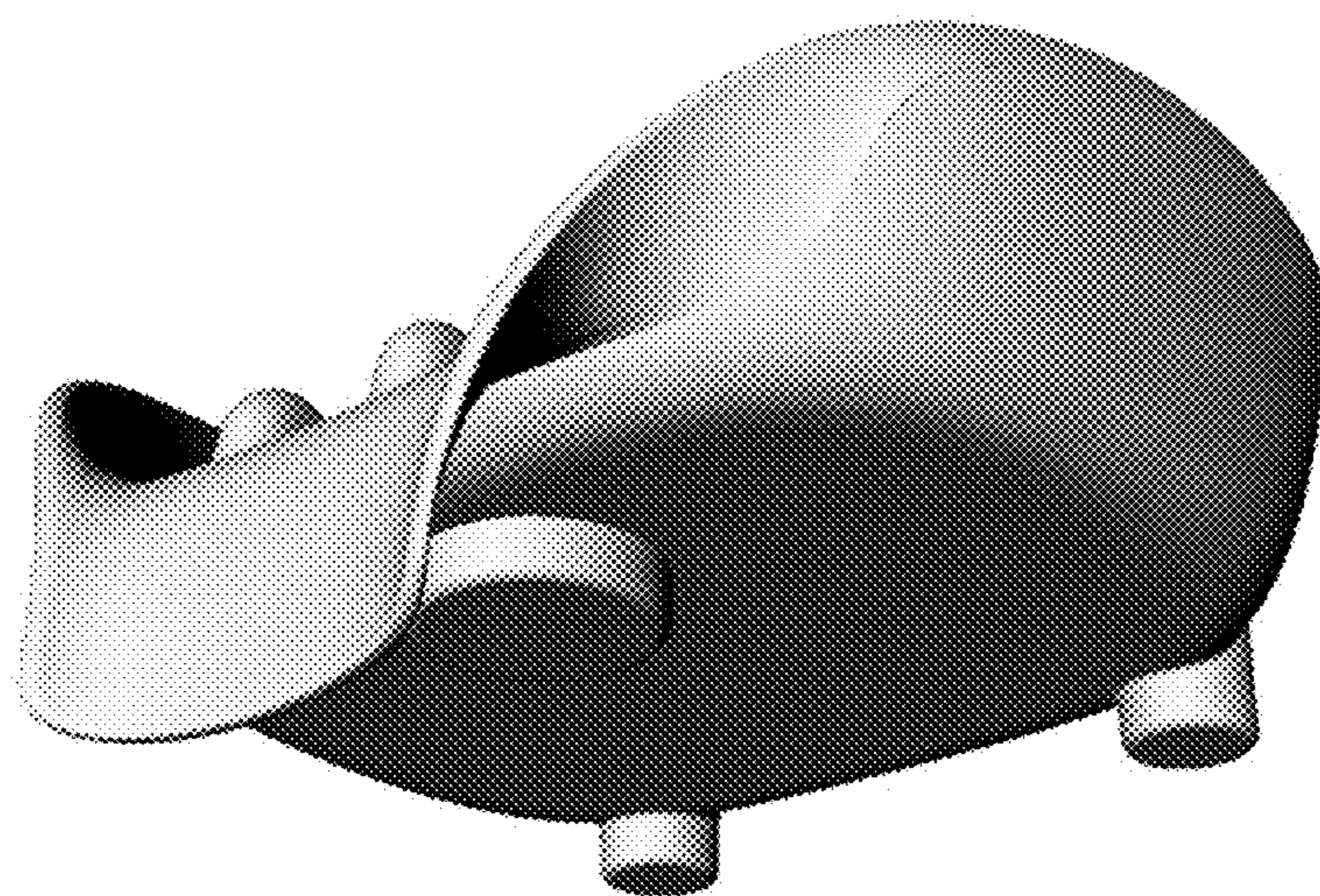


FIG. 7

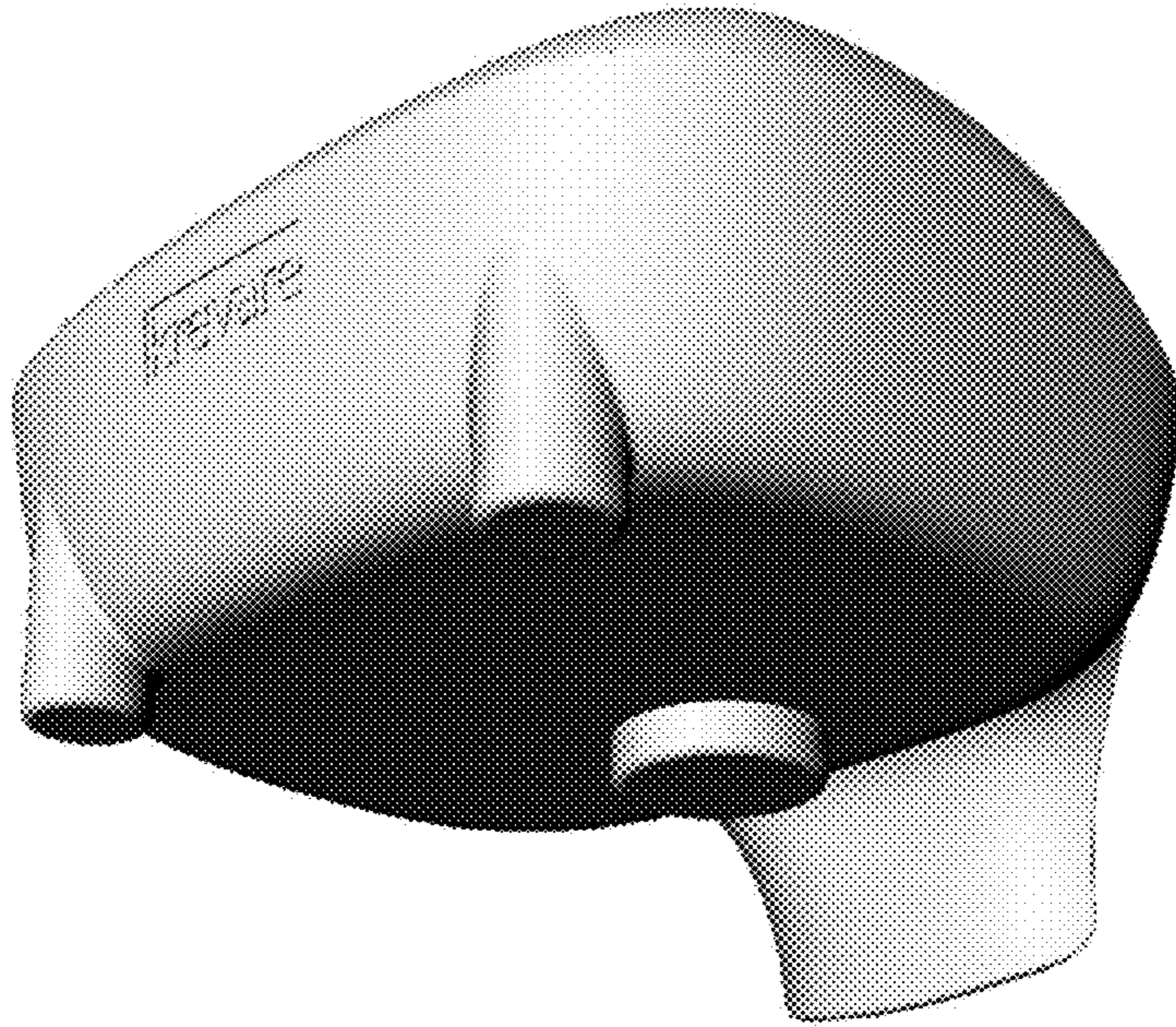


FIG. 8



FIG. 9