



US00D713651S

(12) **United States Design Patent**
Gilbert

(10) **Patent No.:** **US D713,651 S**

(45) **Date of Patent:** **** Sep. 23, 2014**

- (54) **ACCESSORY POSTS**
- (71) Applicant: **Christopher Jon Gilbert**, Moreland Hills, OH (US)
- (72) Inventor: **Christopher Jon Gilbert**, Moreland Hills, OH (US)
- (73) Assignee: **Moen Incorporated**, North Olmsted, OH (US)
- (**) Term: **14 Years**
- (21) Appl. No.: **29/441,877**

D417,576 S	12/1999	Ming-Hsiao	
D418,908 S	1/2000	Warshawsky	
D426,095 S	6/2000	Chen	
D427,471 S *	7/2000	Chen	D6/549
D428,124 S	7/2000	Starck	
D429,998 S	8/2000	Snell	
D434,471 S	11/2000	Jorger	
D440,638 S	4/2001	Lefroy-Brooks	
D449,952 S *	11/2001	Lyndon	D6/549
D450,212 S	11/2001	Gottwald	
D450,509 S *	11/2001	Gottwald	D6/546
D450,511 S	11/2001	Gottwald	
D450,566 S	11/2001	Gottwald	
D453,434 S	2/2002	Ou-Young	
D455,592 S *	4/2002	Ou-Young	D6/549
D463,938 S	10/2002	Lee Wang	

(Continued)

- (22) Filed: **Jan. 10, 2013**
- (51) **LOC (10) Cl.** **23-02**
- (52) **U.S. Cl.**
USPC **D6/524; D6/550**
- (58) **Field of Classification Search**
USPC D6/518-524, 546-550; D8/300, 370, D8/315; 108/28-29; 211/13.1, 16, 85.5, 211/86.01, 87.01, 88.04, 100, 105.1, 105.2, 211/106, 113, 123, 181.1, 182-183; 248/49, 175, 176.1, 200, 201, 205.1, 248/251, 302, 309.1, 315; 242/570, 590, 242/595-598
See application file for complete search history.

Primary Examiner — Brian N Vinson

(74) *Attorney, Agent, or Firm* — Calfee, Halter & Griswold LLP

(57) **CLAIM**

The ornamental design for accessory posts, as shown and described.

DESCRIPTION

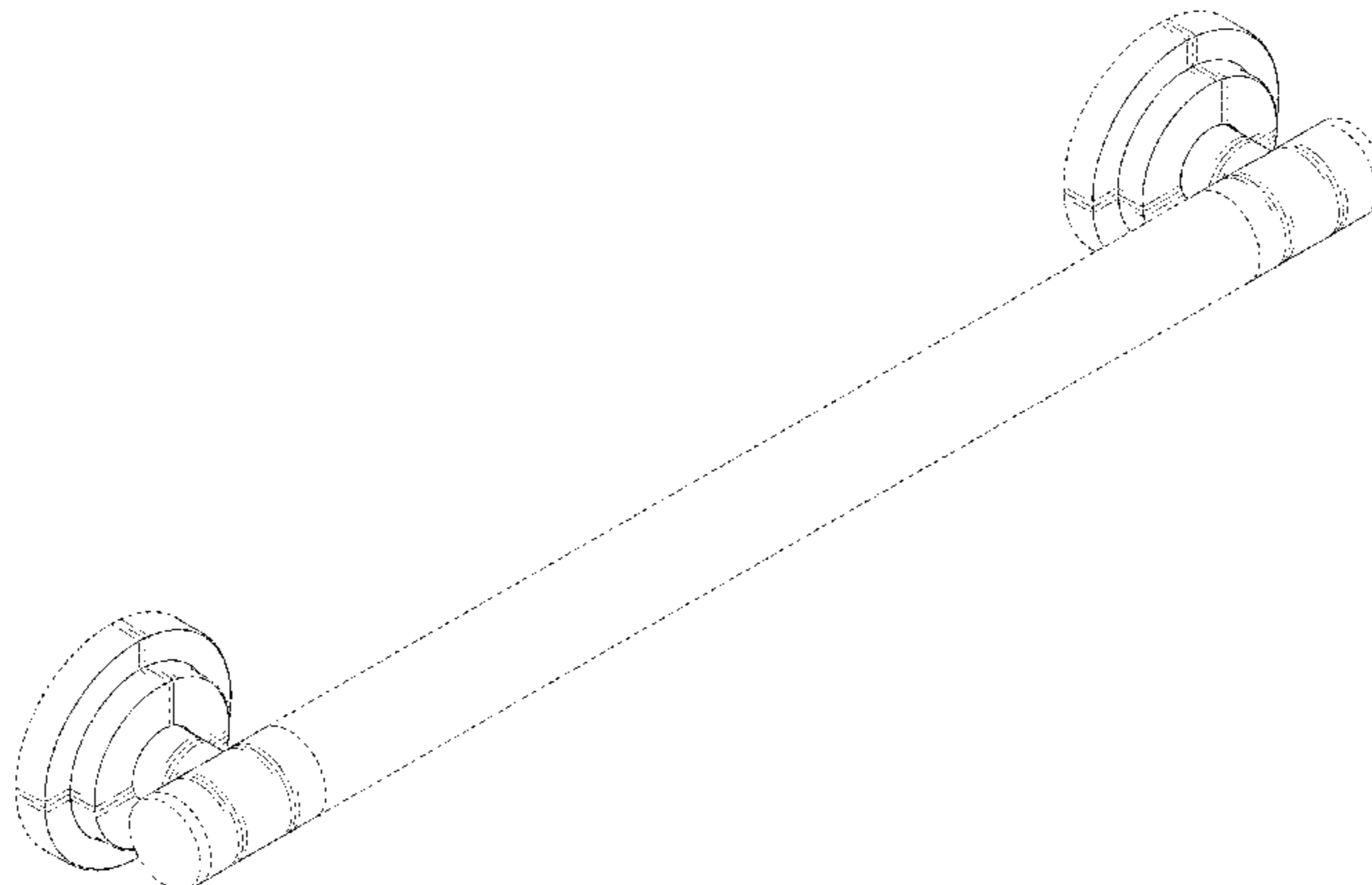
FIG. 1 is a perspective view of accessory posts of the new design;
 FIG. 2 is a perspective view of one of the accessory posts of FIG. 1, the other of the accessory posts being a mirror image thereof;
 FIG. 3 is a front elevational view of the accessory post of FIG. 2;
 FIG. 4 is a left side elevational view of the accessory post of FIG. 2;
 FIG. 5 is a right side elevational view of the accessory post of FIG. 2; and,
 FIG. 6 is a top plan view of the accessory post of FIG. 2, the bottom plan view being a mirror image thereof.
 The portions of the Figures shown in broken lines are not part of the claimed design and are for illustration only.

(56) **References Cited**

U.S. PATENT DOCUMENTS

D296,815 S	7/1988	Jans	
D299,110 S	12/1988	Jans	
4,907,771 A *	3/1990	Wang	248/222.14
D317,495 S	6/1991	Kohler, Jr. et al.	
5,026,013 A	6/1991	Robbins	
D319,294 S	8/1991	Kohler, Jr. et al.	
D322,839 S	12/1991	Kohler, Jr.	
D335,811 S	5/1993	Bengtson et al.	
D344,007 S	2/1994	Jans	
D363,630 S	10/1995	Starck	
5,465,437 A	11/1995	Herman	
D410,193 S	5/1999	Bredemeier	

1 Claim, 3 Drawing Sheets



(56)

References Cited

U.S. PATENT DOCUMENTS

D471,075 S 3/2003 Fields
D477,944 S 8/2003 Cummings
D479,931 S 9/2003 Gilbert
D492,529 S 7/2004 Chen
D492,530 S * 7/2004 Chen D6/549
6,796,442 B1 9/2004 Wu
D498,624 S 11/2004 Chen
D504,309 S 4/2005 Fuchs
D504,804 S 5/2005 Chen
D513,791 S 1/2006 Kosasih
D517,360 S 3/2006 Chen
D529,323 S 10/2006 Gilbert
D531,278 S 10/2006 Tsai
D540,086 S 4/2007 Kirar

D552,903 S * 10/2007 Bitterman D6/524
D561,508 S 2/2008 Guo
D563,707 S 3/2008 Lee
D564,336 S 3/2008 McConnell
D573,232 S 7/2008 Dolan
7,490,803 B1 2/2009 Graves
D600,960 S * 9/2009 Krumpe D6/546
D600,961 S 9/2009 Krumpe
D604,587 S 11/2009 Susic
D609,515 S 2/2010 Krumpe
D627,441 S 11/2010 Sedwick
D646,765 S 10/2011 Gilbert
D658,745 S 5/2012 Obara et al.
D658,746 S 5/2012 Obara et al.
D660,687 S 5/2012 Fritz et al.
D666,042 S 8/2012 Blakley

* cited by examiner

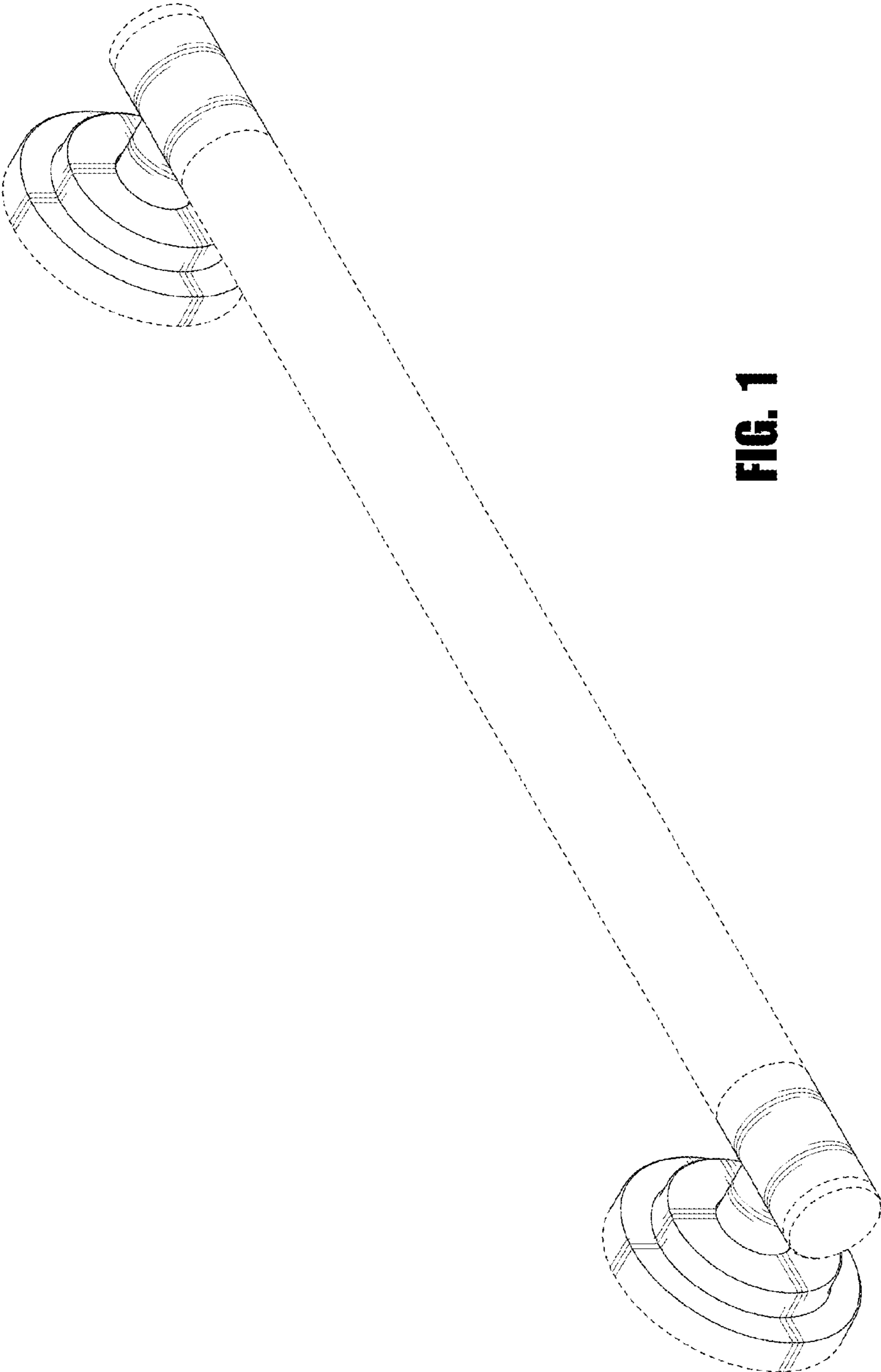


FIG. 1

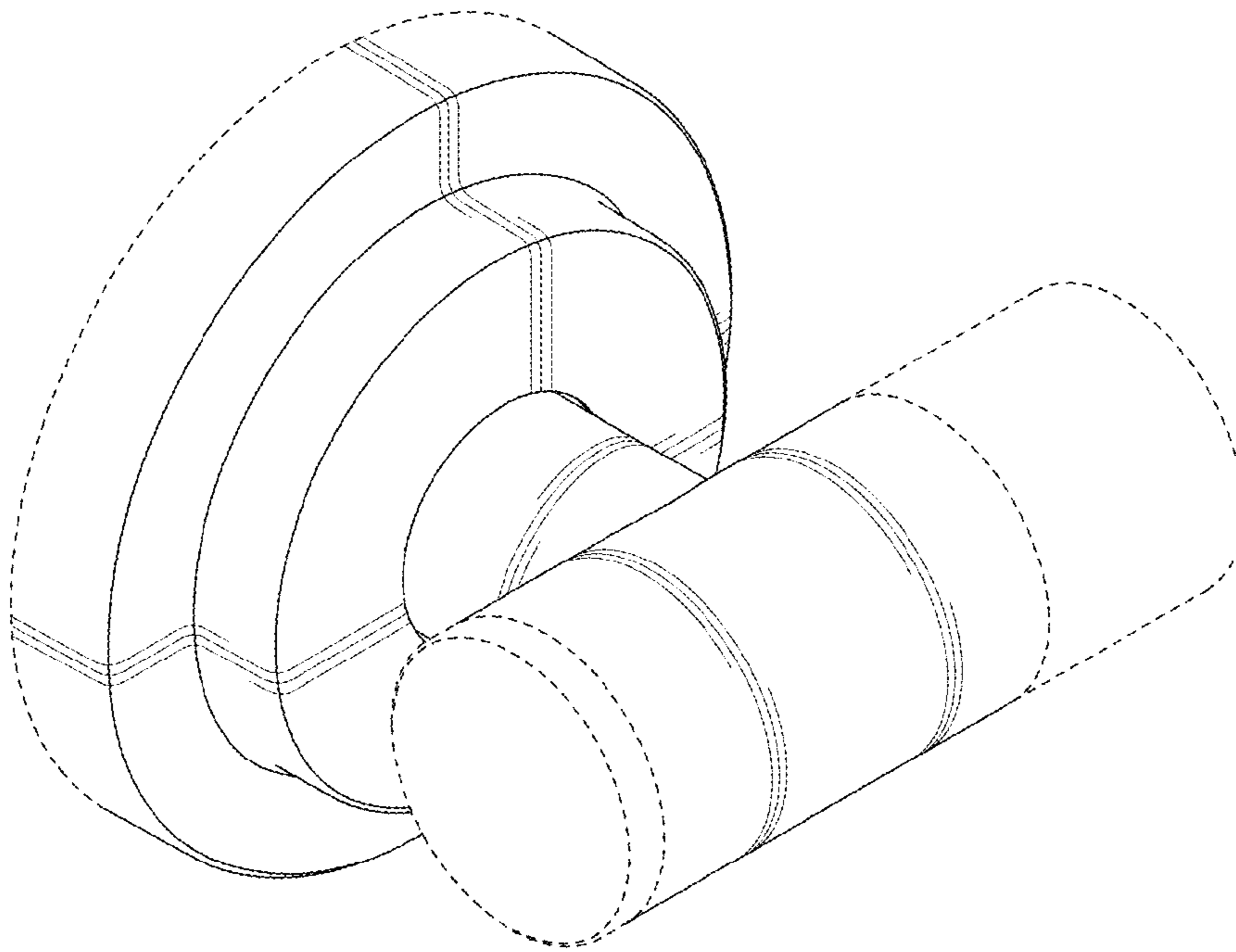


FIG. 2

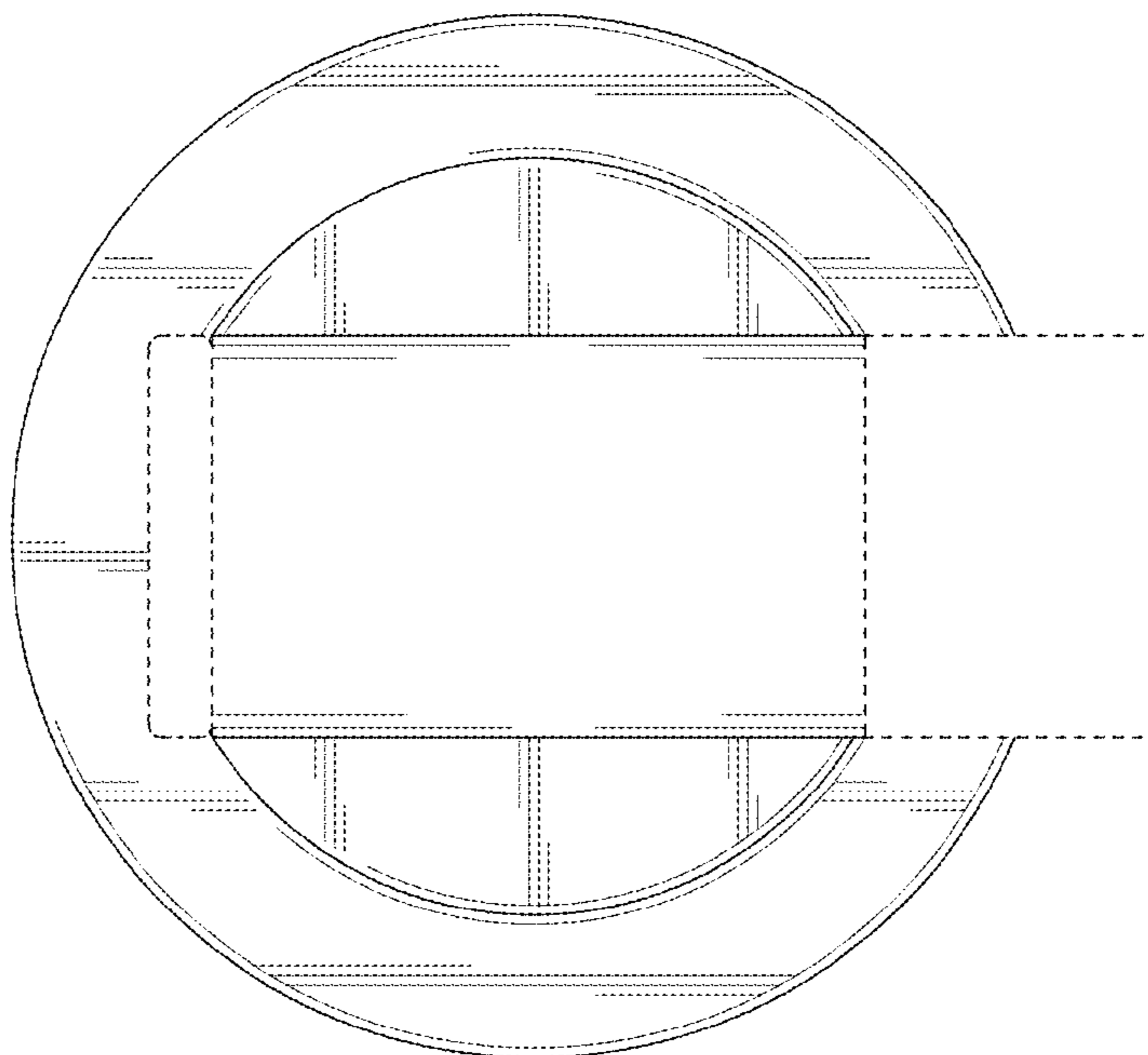


FIG. 3

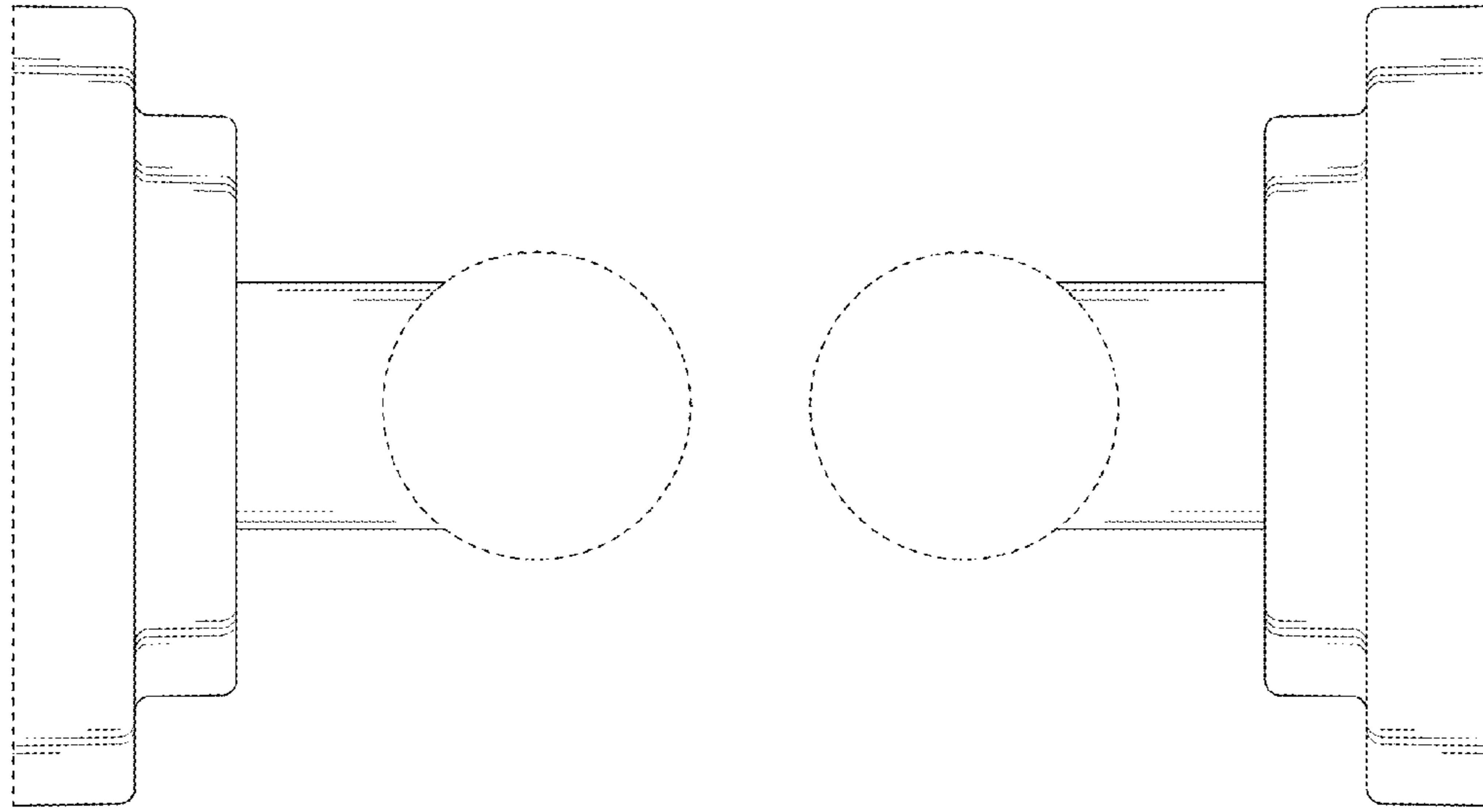


FIG. 4

FIG. 5

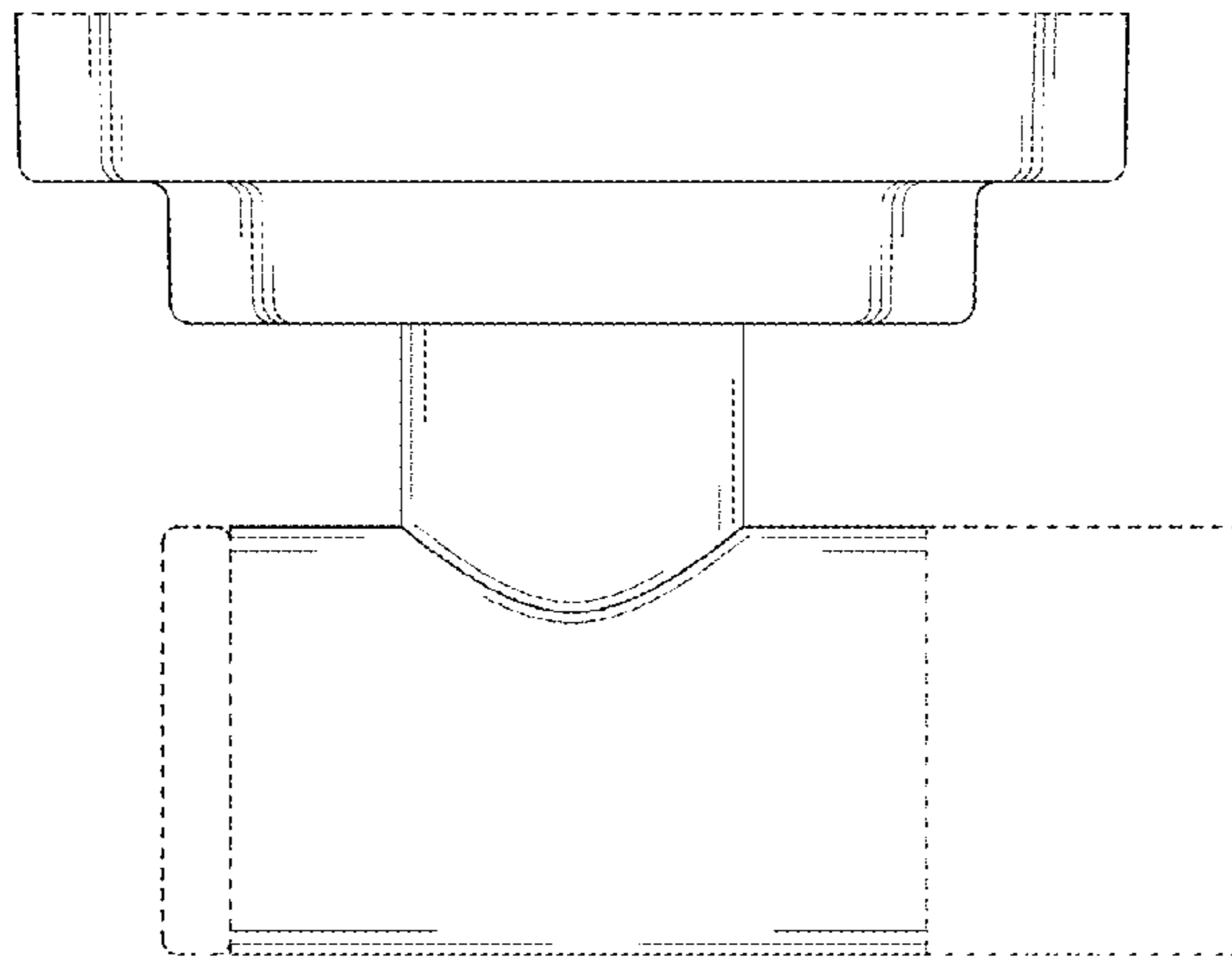


FIG. 6