

US00D713650S

(12) **United States Design Patent**
Sasson

(10) **Patent No.:** **US D713,650 S**

(45) **Date of Patent:** **** Sep. 23, 2014**

(54) **TOILET PAPER TOWER**

(56)

References Cited

U.S. PATENT DOCUMENTS

(71) Applicant: **BathSense LLC**, New York, NY (US)

(72) Inventor: **Elliot Sasson**, New York, NY (US)

(73) Assignee: **BathSense LLC**, New York, NY (US)

(**) Term: **14 Years**

(21) Appl. No.: **29/481,403**

(22) Filed: **Feb. 5, 2014**

(51) **LOC (10) Cl.** **20-02**

(52) **U.S. Cl.**
USPC **D6/520**

(58) **Field of Classification Search**
CPC A47F 7/021; A47F 5/05; A47F 7/00;
A47F 1/126; A47F 7/163; A47K 10/40;
A47K 10/3836; B66D 1/7442
USPC D6/518-523; 206/389, 391; 211/13.1,
211/59.1, 45; 242/570, 590, 597.7;
248/309.1, 309.2

See application file for complete search history.

D330,984 S *	11/1992	Evans	D6/520
D394,967 S *	6/1998	Alexander	D6/520
D419,012 S *	1/2000	Wiggins, Jr.	D6/520
D525,466 S *	7/2006	Lai	D6/520
D527,936 S *	9/2006	Sirkis	D6/520
D679,926 S *	4/2013	Lai	D6/520

* cited by examiner

Primary Examiner — Brian N Vinson

(74) *Attorney, Agent, or Firm* — Tarter Krinsky Drogin LLP

(57)

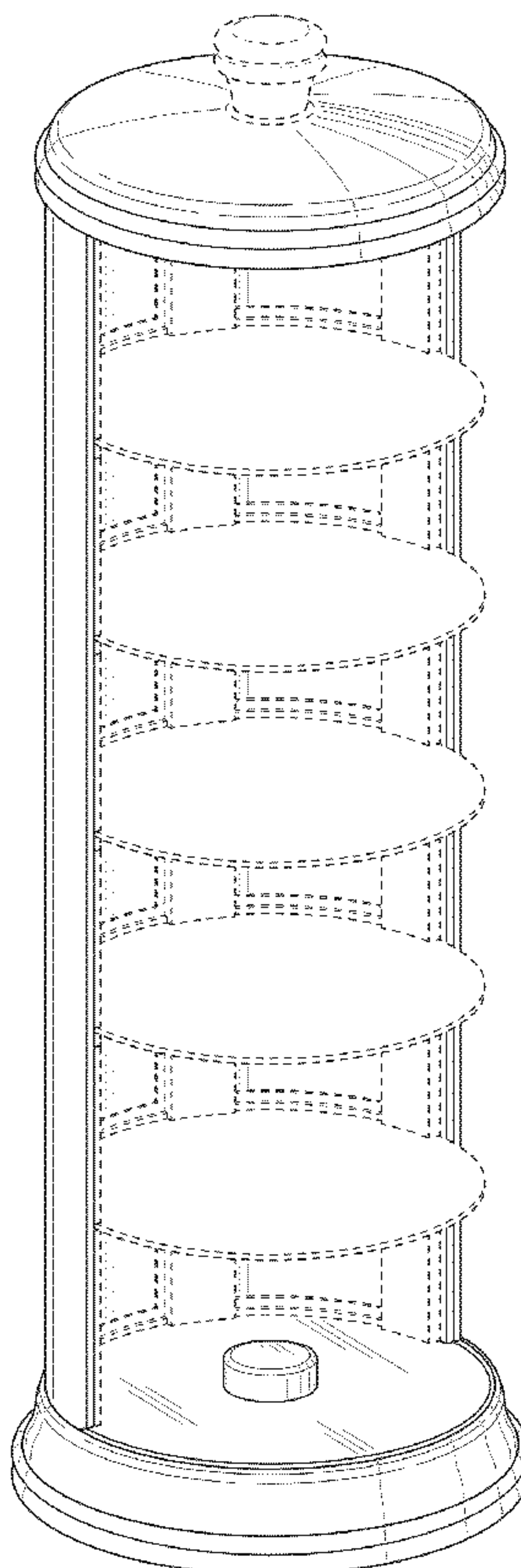
CLAIM

The ornamental design for a toilet paper tower, as shown and described.

DESCRIPTION

FIG. 1 is a top and front perspective view of a toilet paper tower showing my new design;
FIG. 2 is a front elevational view thereof;
FIG. 3 is a rear elevational view thereof;
FIG. 4 is a right side elevational view thereof;
FIG. 5 is a left side elevational view thereof;
FIG. 6 is a top plan view thereof;
FIG. 7 is a bottom plan view thereof; and,
FIG. 8 is a top and rear perspective view thereof.
The broken-line disclosure illustrates unclaimed portions of the article in which the claimed design is embodied.

1 Claim, 5 Drawing Sheets



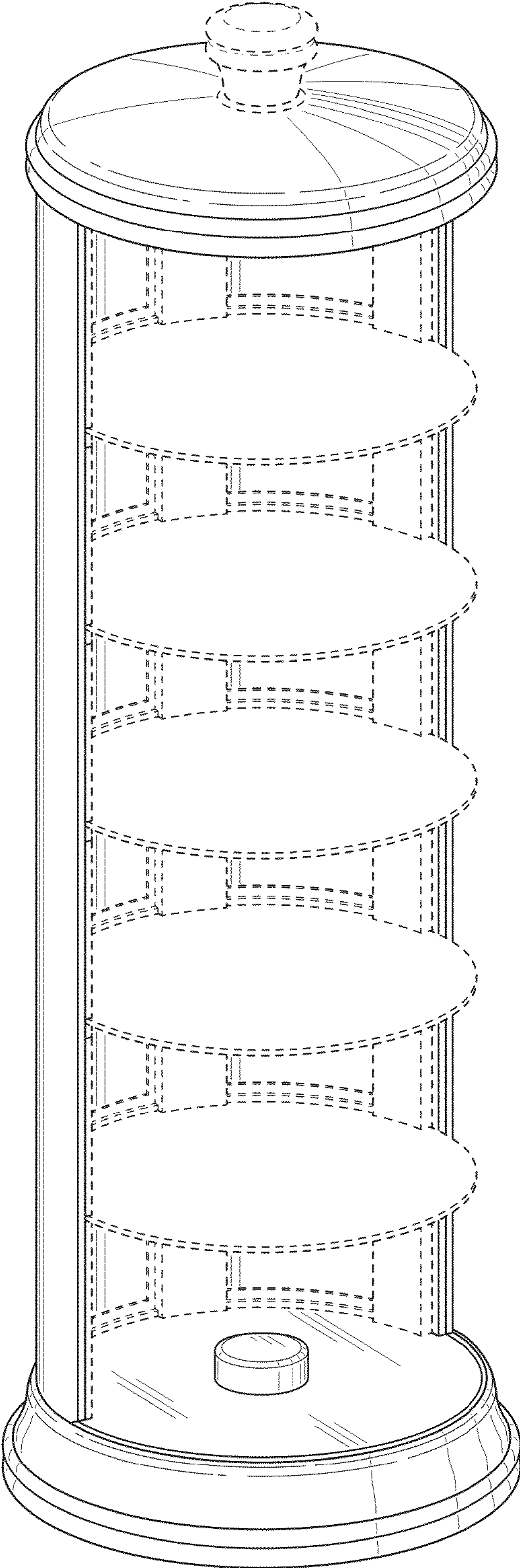


FIG. 1

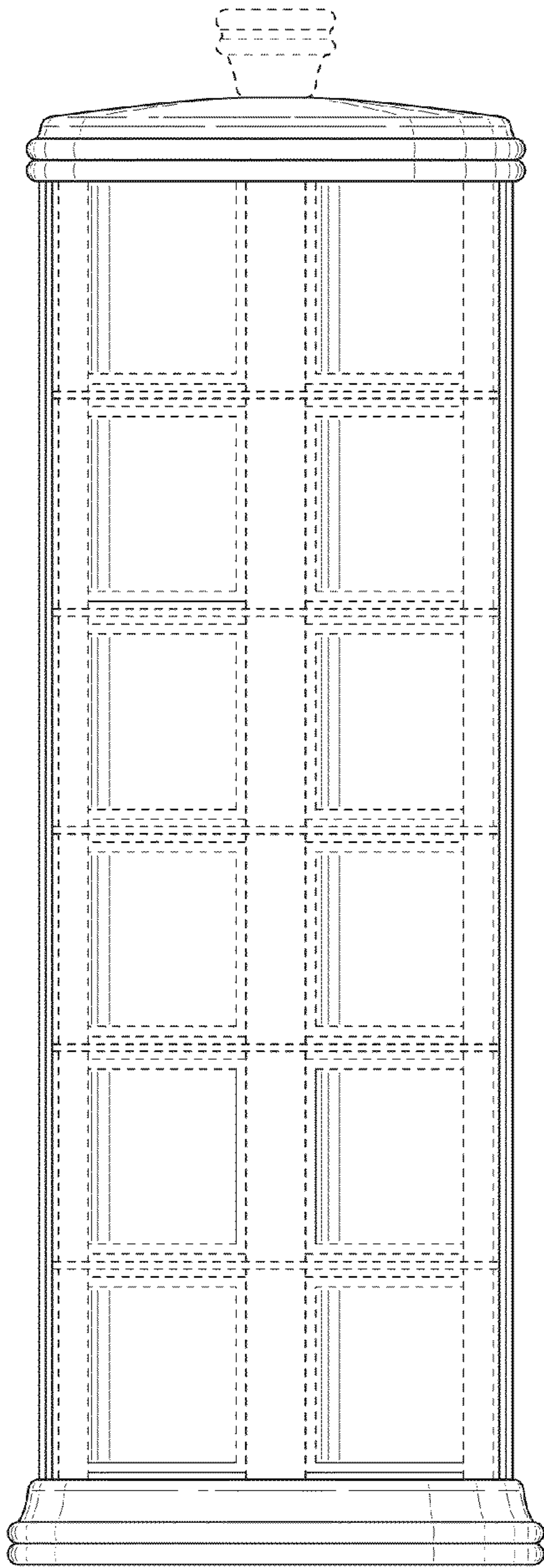


FIG. 2

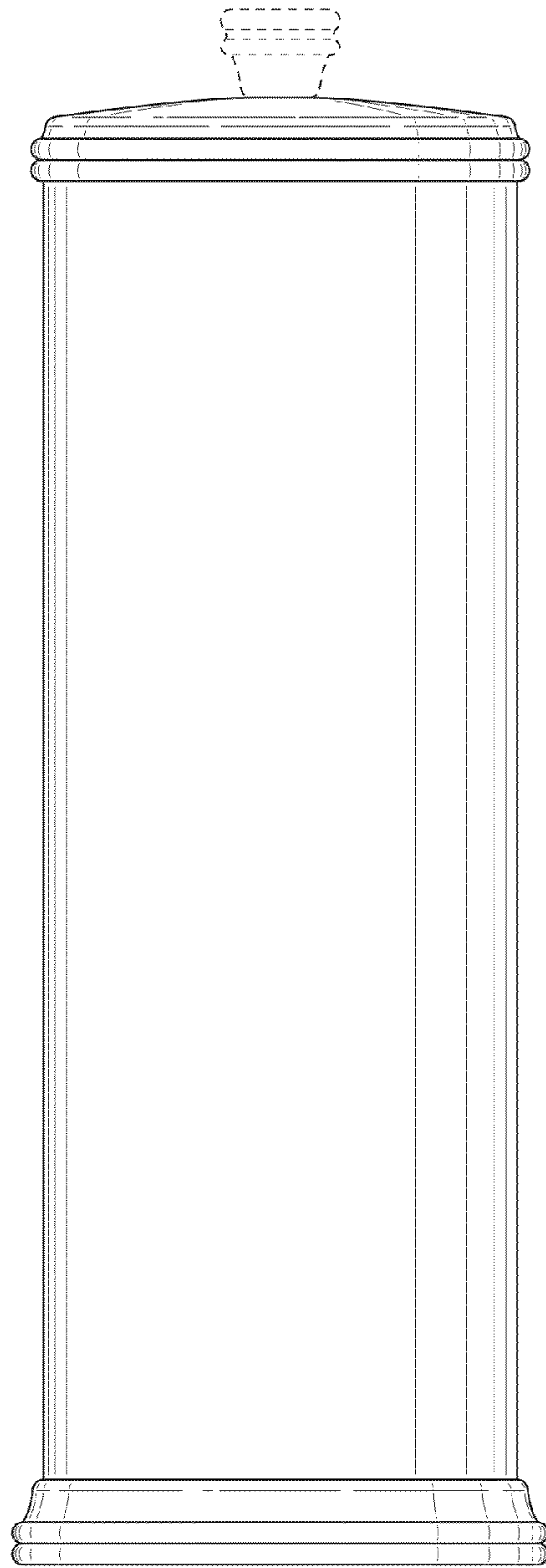


FIG. 3

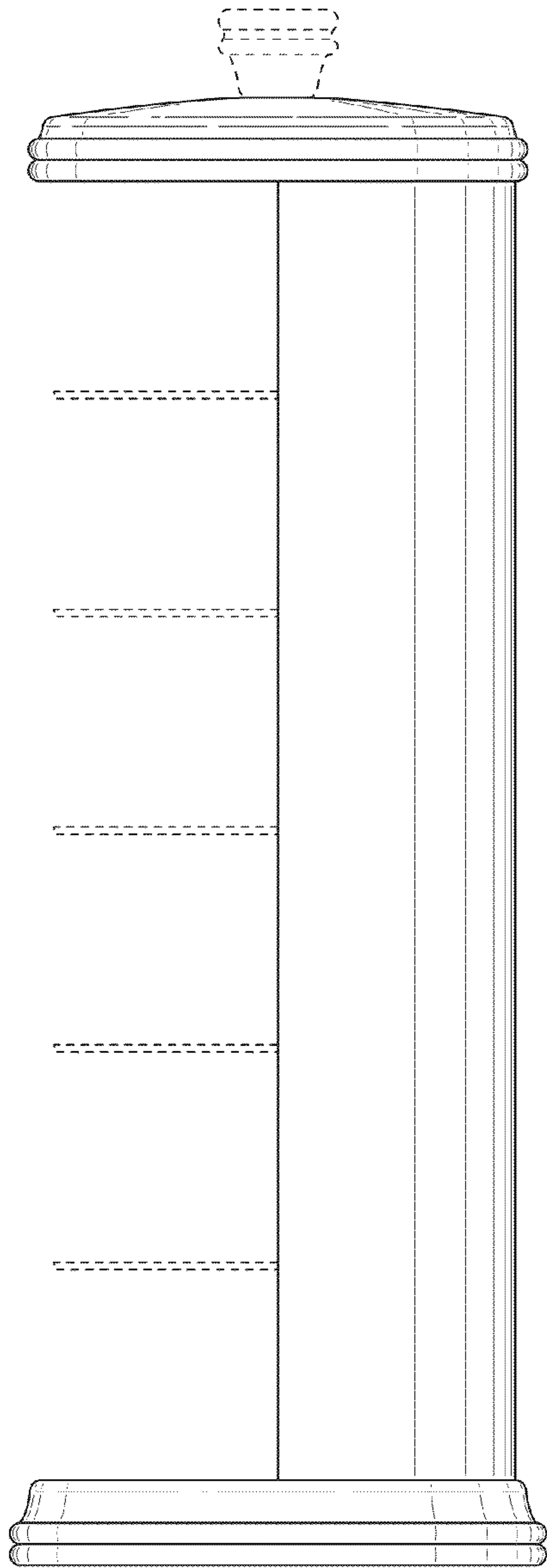


FIG. 4

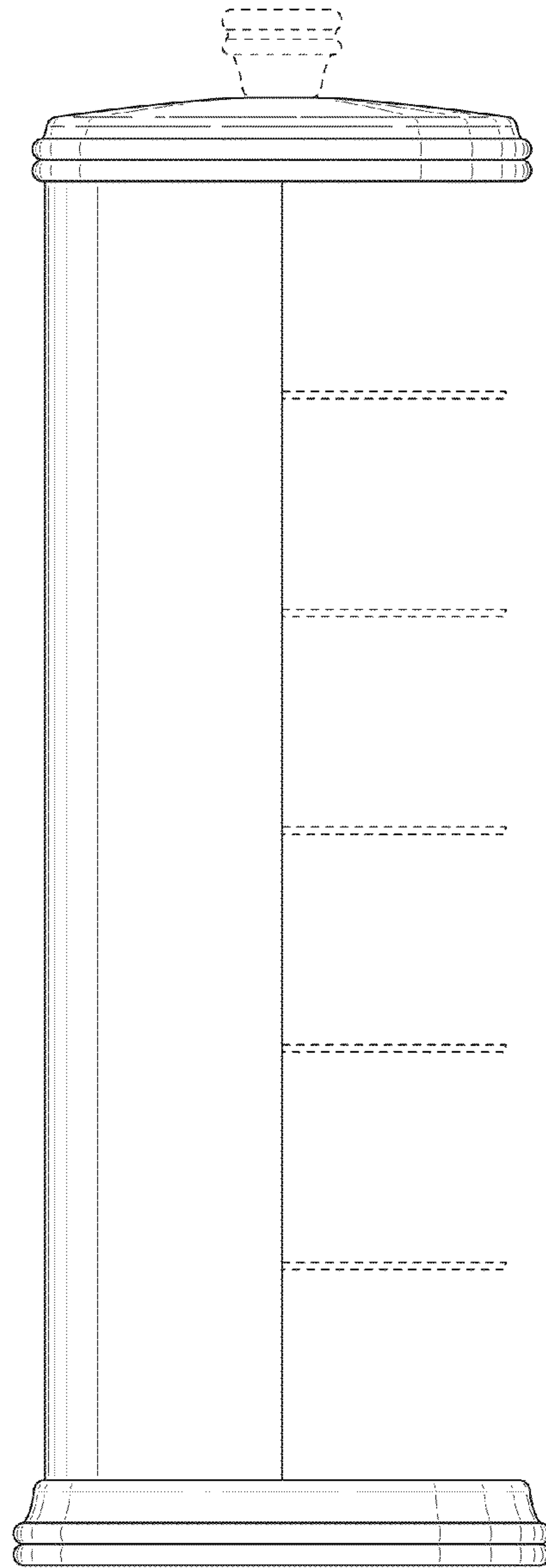


FIG. 5

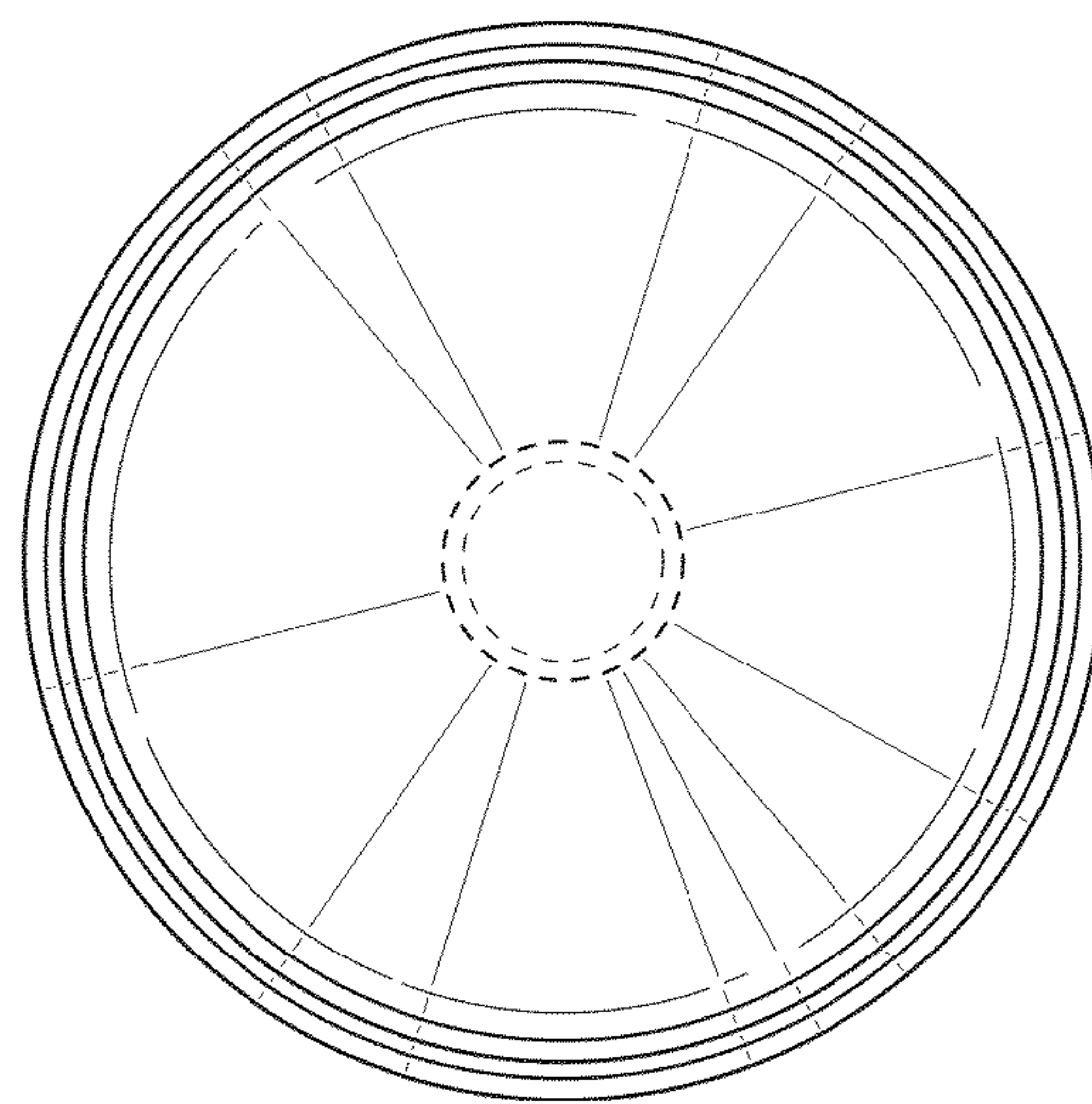


FIG. 6

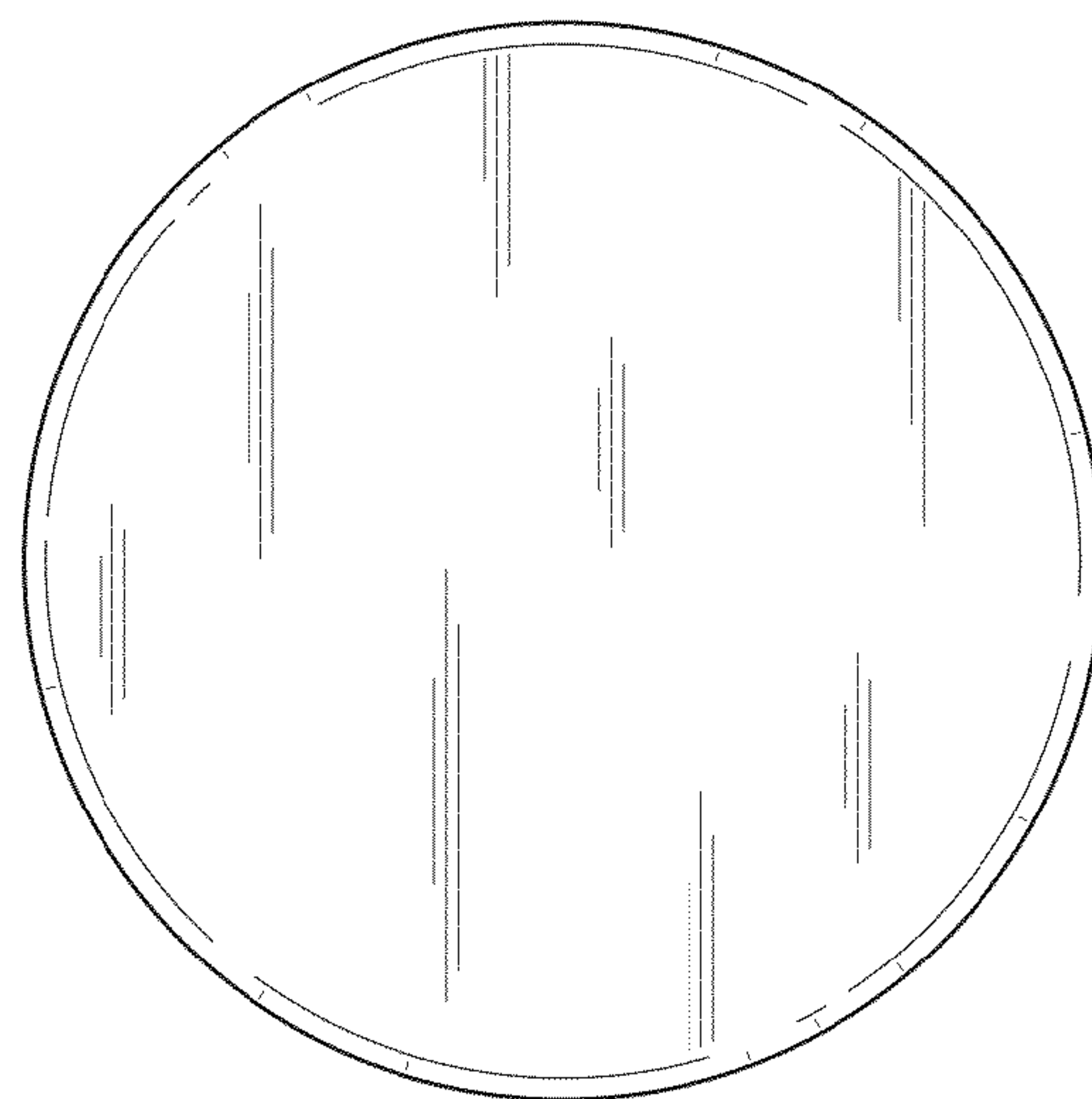


FIG. 7

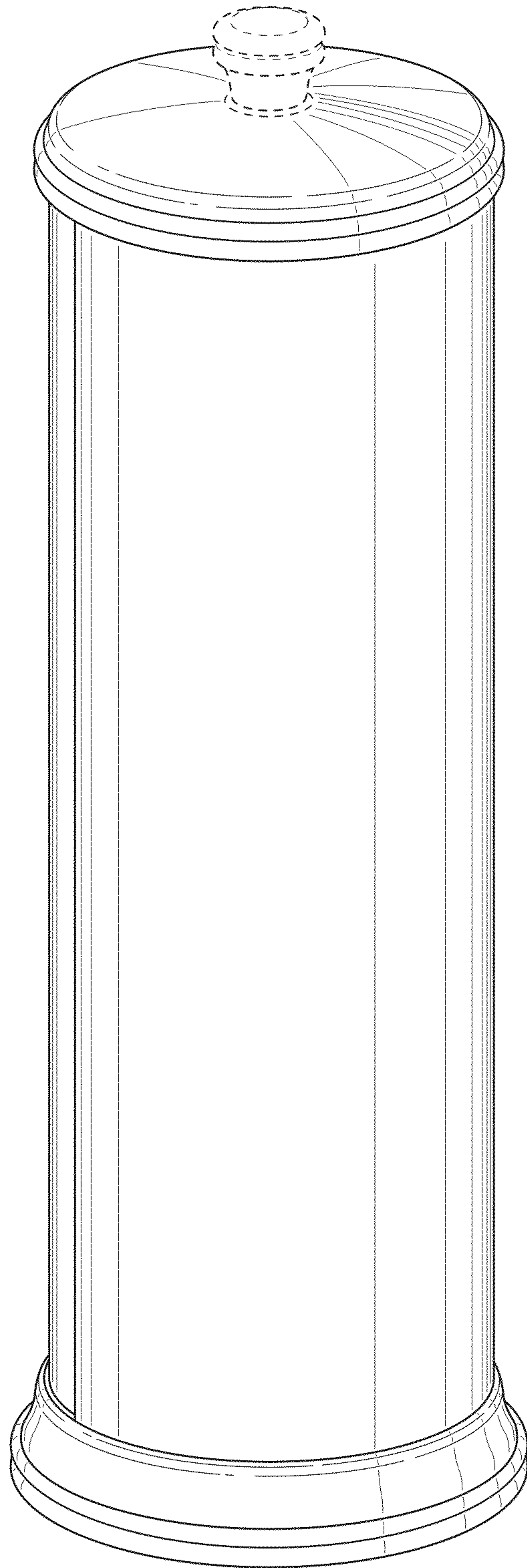


FIG. 8