



US00D713649S

(12) **United States Design Patent**  
**Gregson**

(10) **Patent No.:** **US D713,649 S**  
(45) **Date of Patent:** **\*\* Sep. 23, 2014**

- (54) **CHAIR**
- (71) Applicant: **Barry Gregson**, Schroon Lake, NY (US)
- (72) Inventor: **Barry Gregson**, Schroon Lake, NY (US)
- (\*\*) Term: **14 Years**
- (21) Appl. No.: **29/466,803**
- (22) Filed: **Sep. 11, 2013**
- (51) **LOC (10) Cl.** ..... **06-01**
- (52) **U.S. Cl.**  
USPC ..... **D6/370**
- (58) **Field of Classification Search**  
CPC ..... A47C 4/024; A47C 4/028; A47C 4/02;  
A47C 4/03; A47C 5/06; A47C 7/16  
USPC ..... D6/334-336, 370, 376, 379, 380, 716,  
D6/716.1, 716.2, 716.3, 716.4; 297/445.1,  
297/446.1, 446.2, 452.63, 452.2  
See application file for complete search history.

- 2,320,786 A \* 6/1943 Lucas ..... A47C 7/16
- D388,623 S \* 1/1998 Mohundro ..... D6/370
- D388,625 S \* 1/1998 Mohundro ..... D6/370
- D396,359 S \* 7/1998 Jiang ..... D6/370
- 6,666,518 B2 \* 12/2003 Bruschi et al. .... A47C 4/024
- 6,695,408 B1 \* 2/2004 Nobbe ..... A47C 4/028
- D497,490 S \* 10/2004 Socha et al. .... D6/370
- D519,741 S \* 5/2006 Katz et al. .... D6/370

\* cited by examiner

*Primary Examiner* — Mimoso De

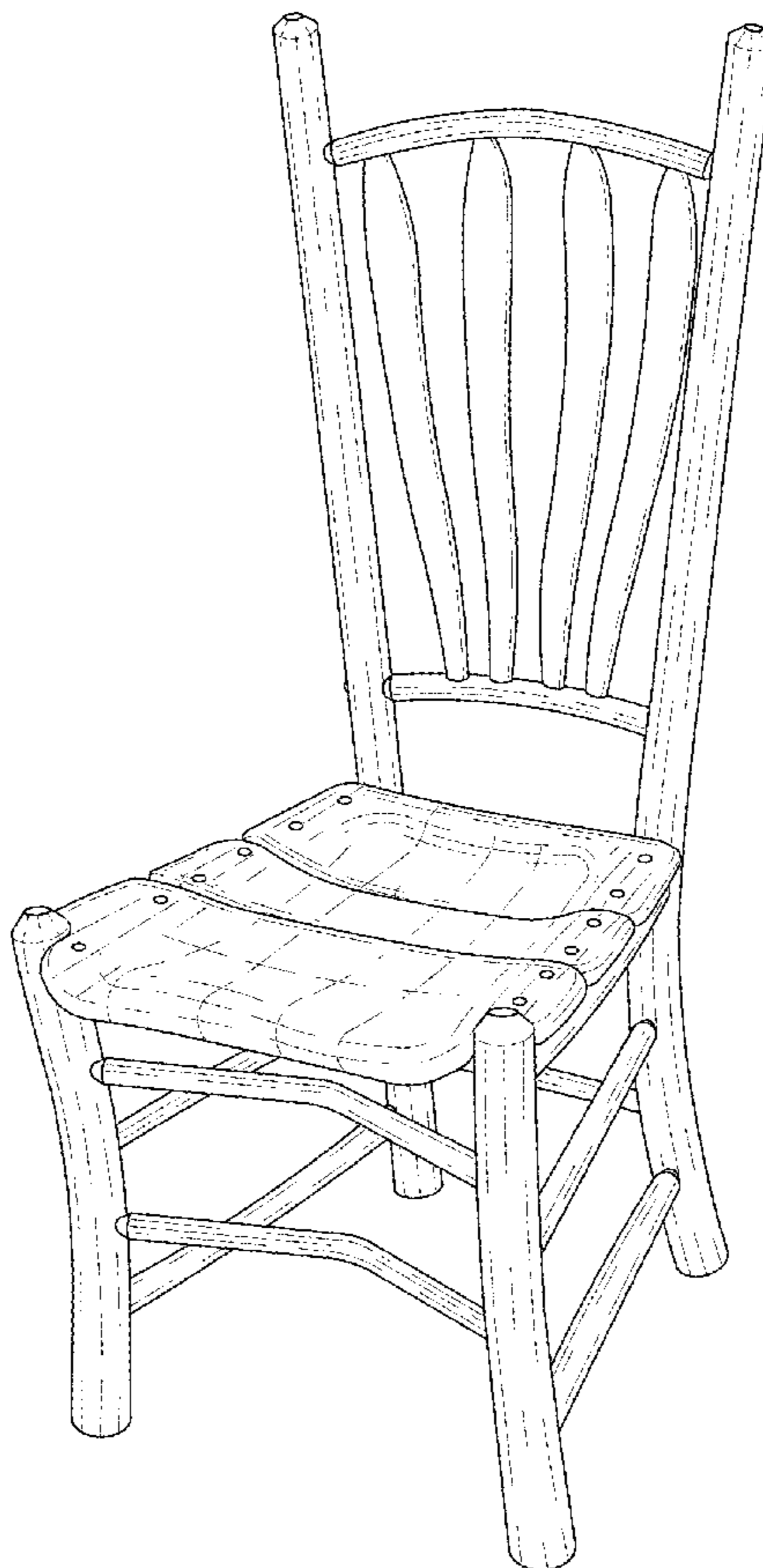
(57) **CLAIM**  
The ornamental design for a chair, as shown and described.

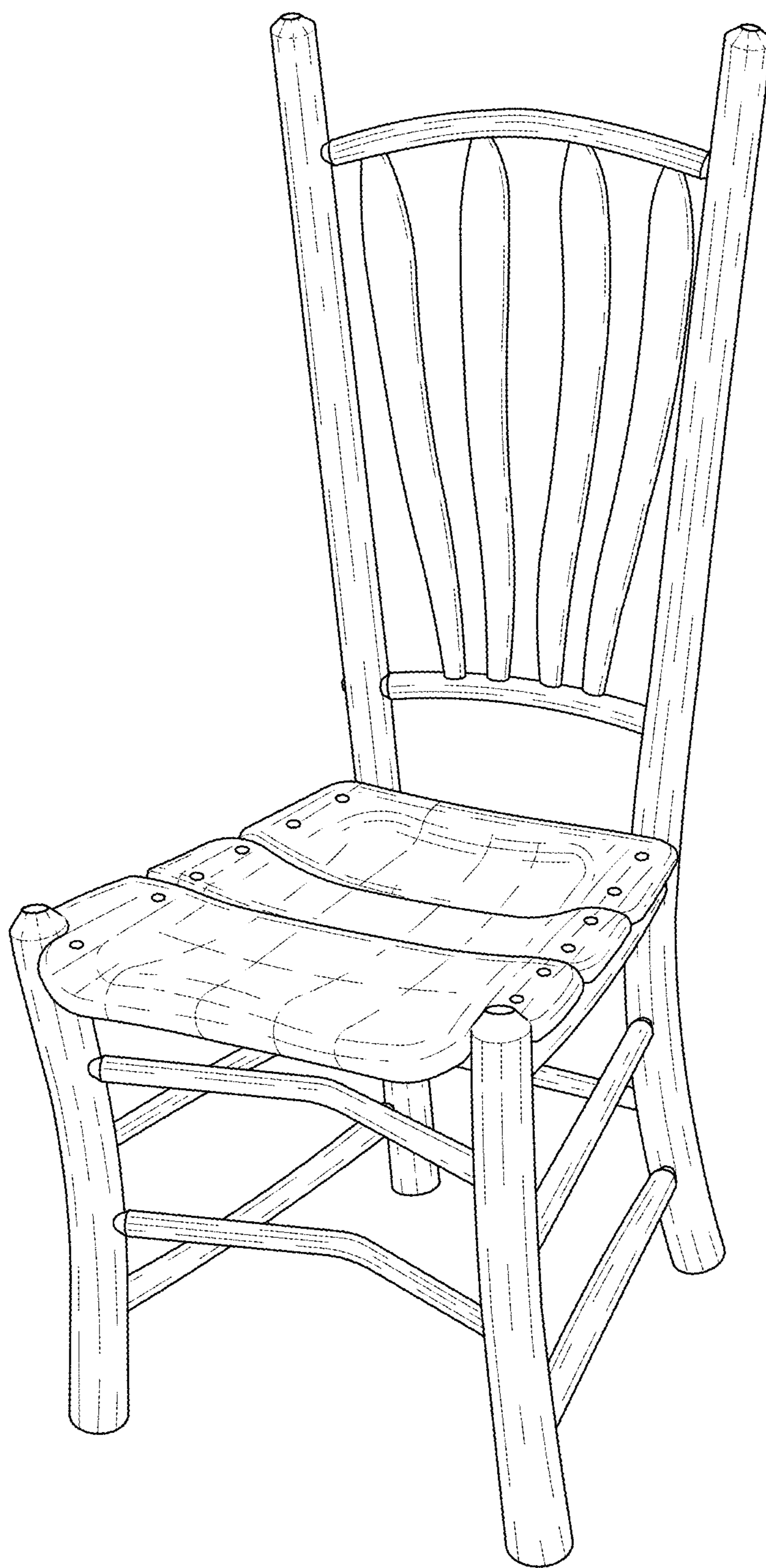
**DESCRIPTION**

FIG. 1 is a front perspective view of a chair showing my new design;  
FIG. 2 is a rear perspective view thereof;  
FIG. 3 is a top plan view thereof;  
FIG. 4 is a bottom plan view thereof;  
FIG. 5 is a left side elevation view thereof;  
FIG. 6 is a right side elevation view thereof;  
FIG. 7 is a back elevation view thereof; and,  
FIG. 8 is a front elevation view thereof.

**1 Claim, 7 Drawing Sheets**

- (56) **References Cited**  
U.S. PATENT DOCUMENTS  
2,016,953 A \* 10/1935 Arnold ..... A47C 7/16  
2,182,485 A \* 12/1939 Murdock ..... A47C 7/16





**FIG. 1**

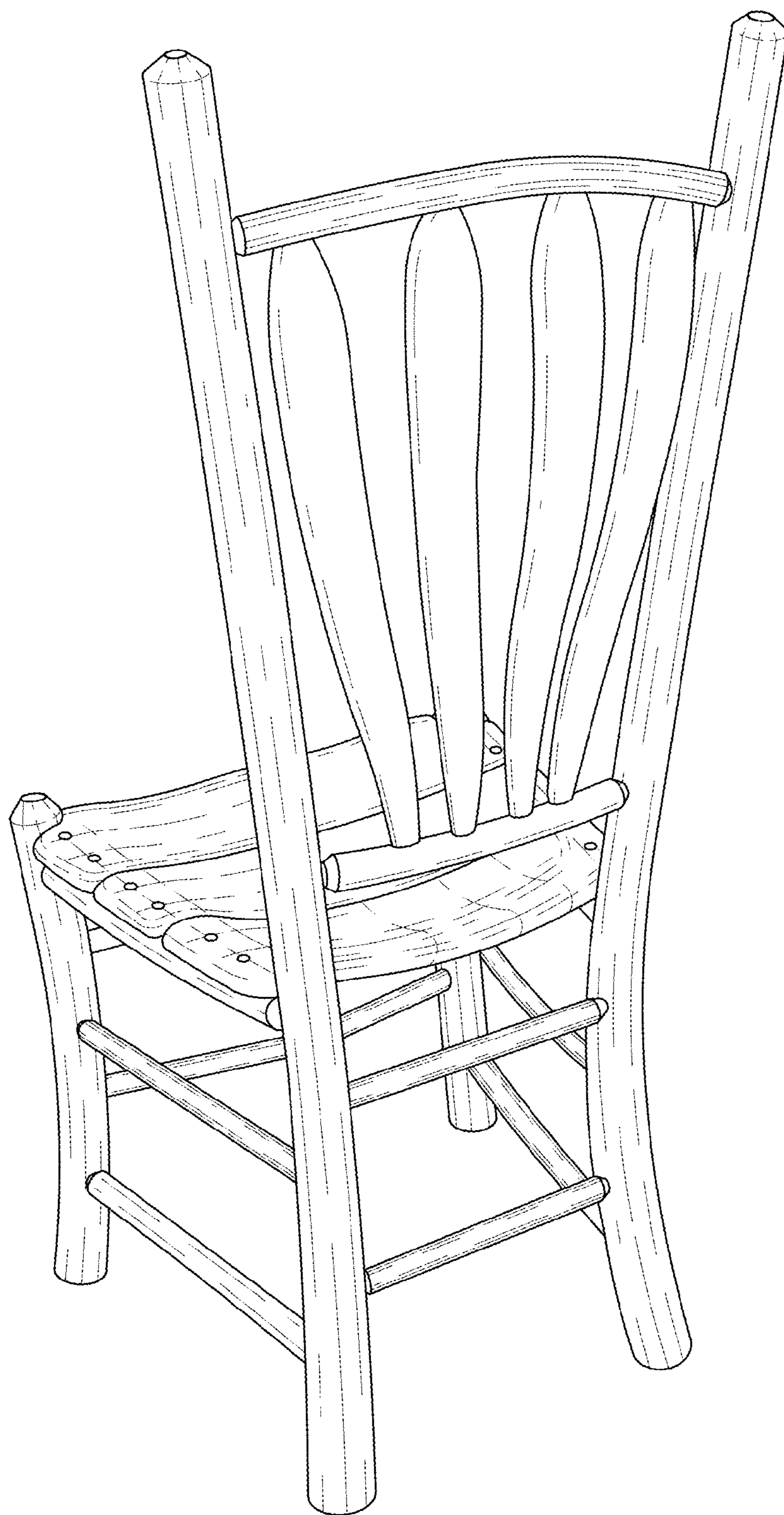
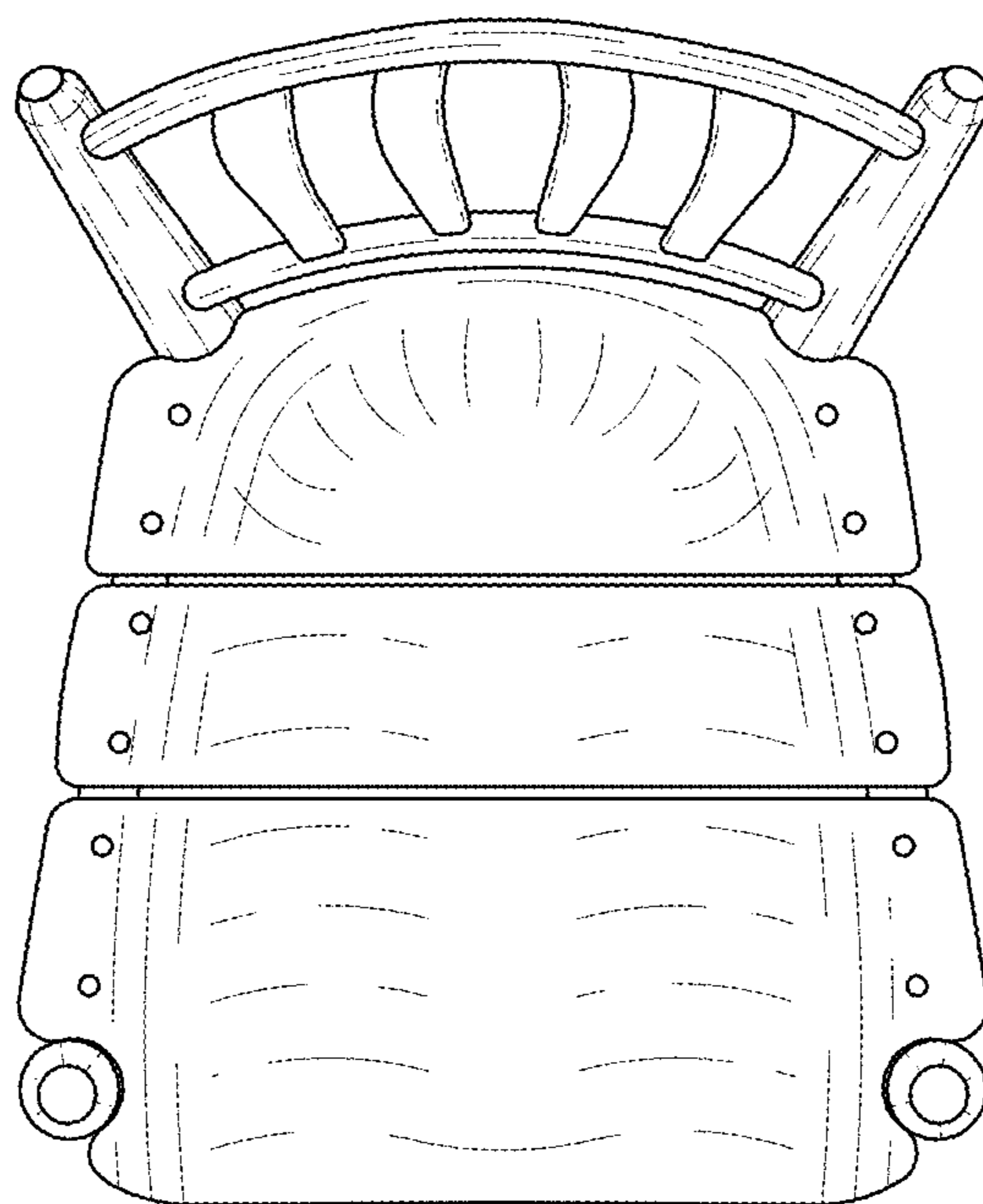
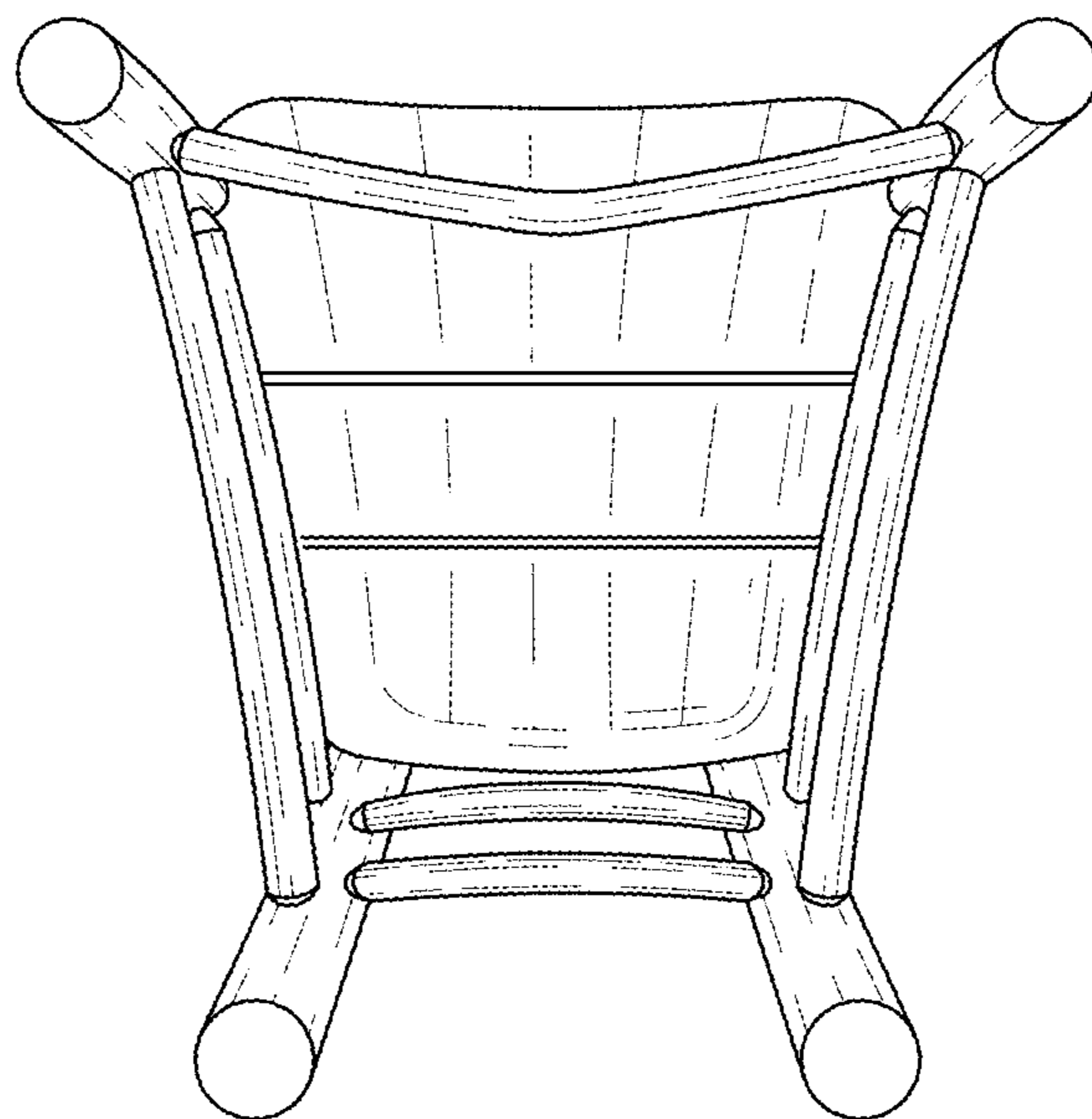


FIG. 2



*FIG. 3*



*FIG. 4*

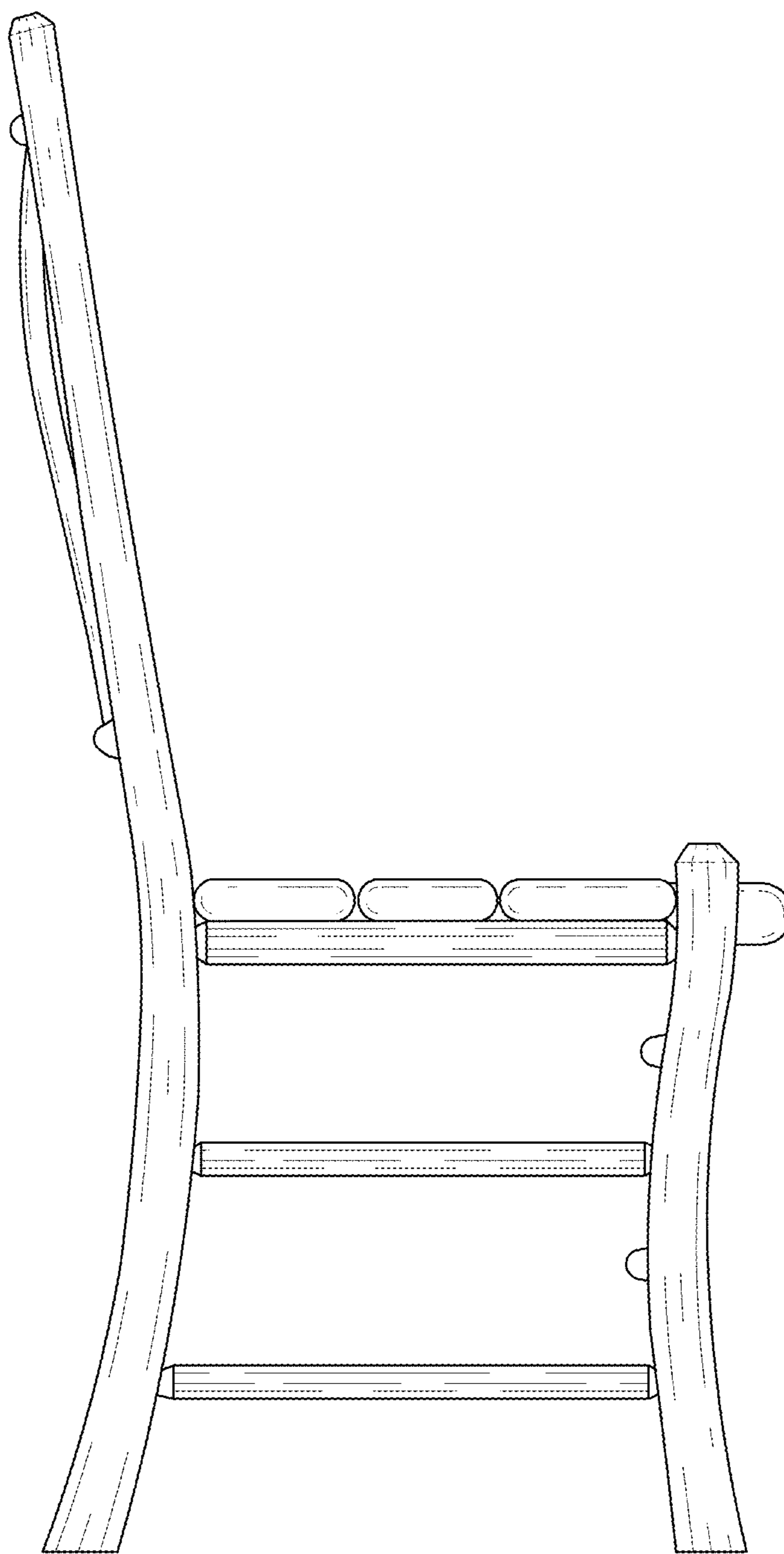


FIG. 5

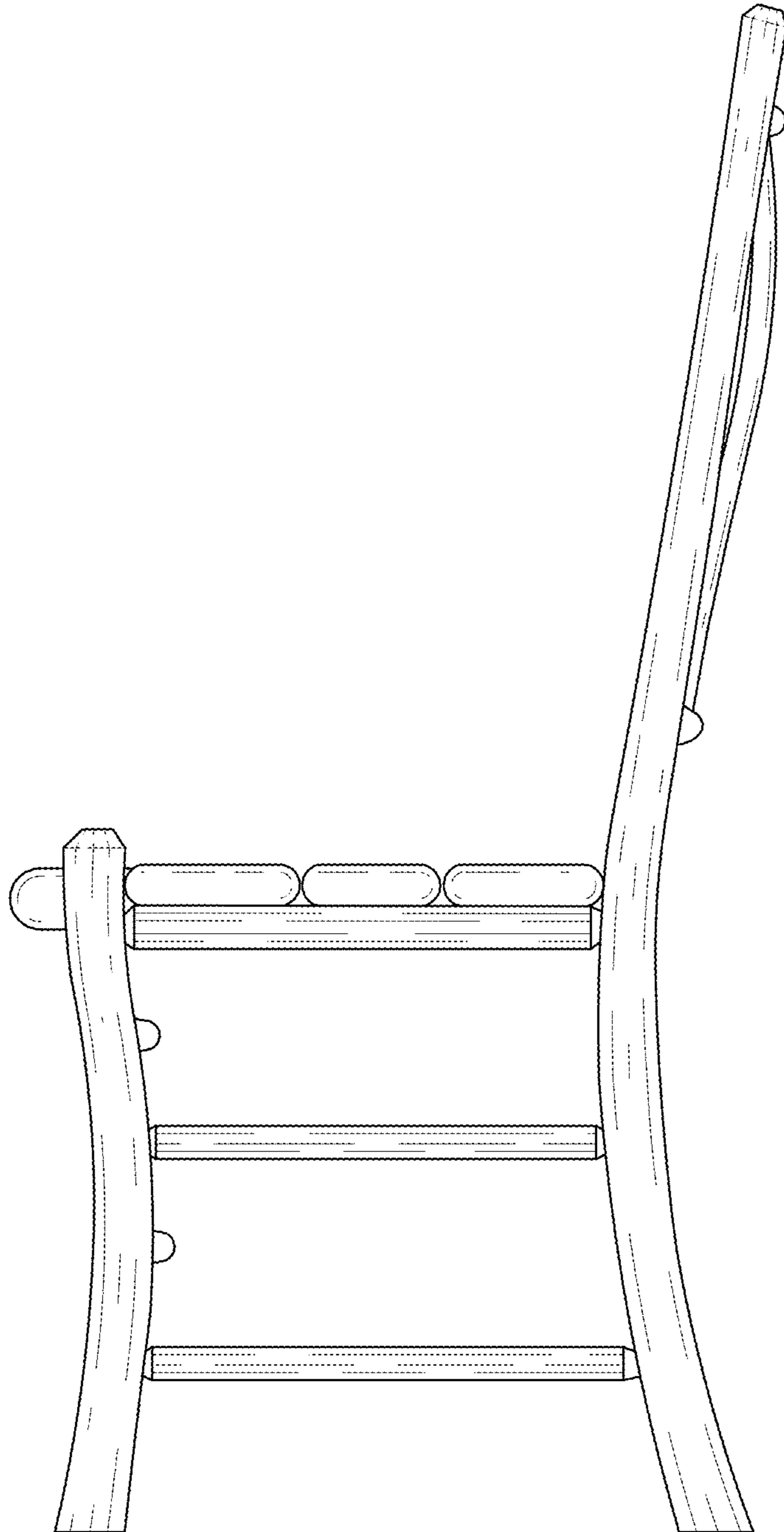
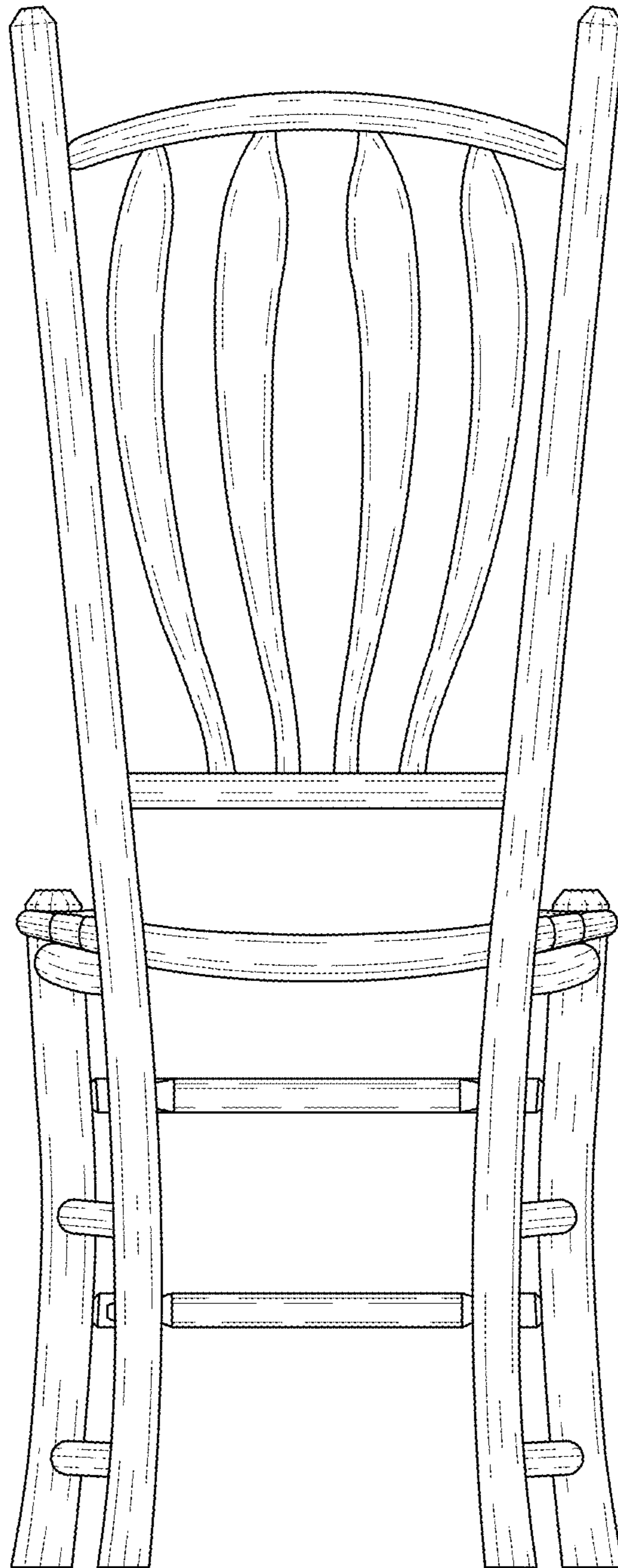
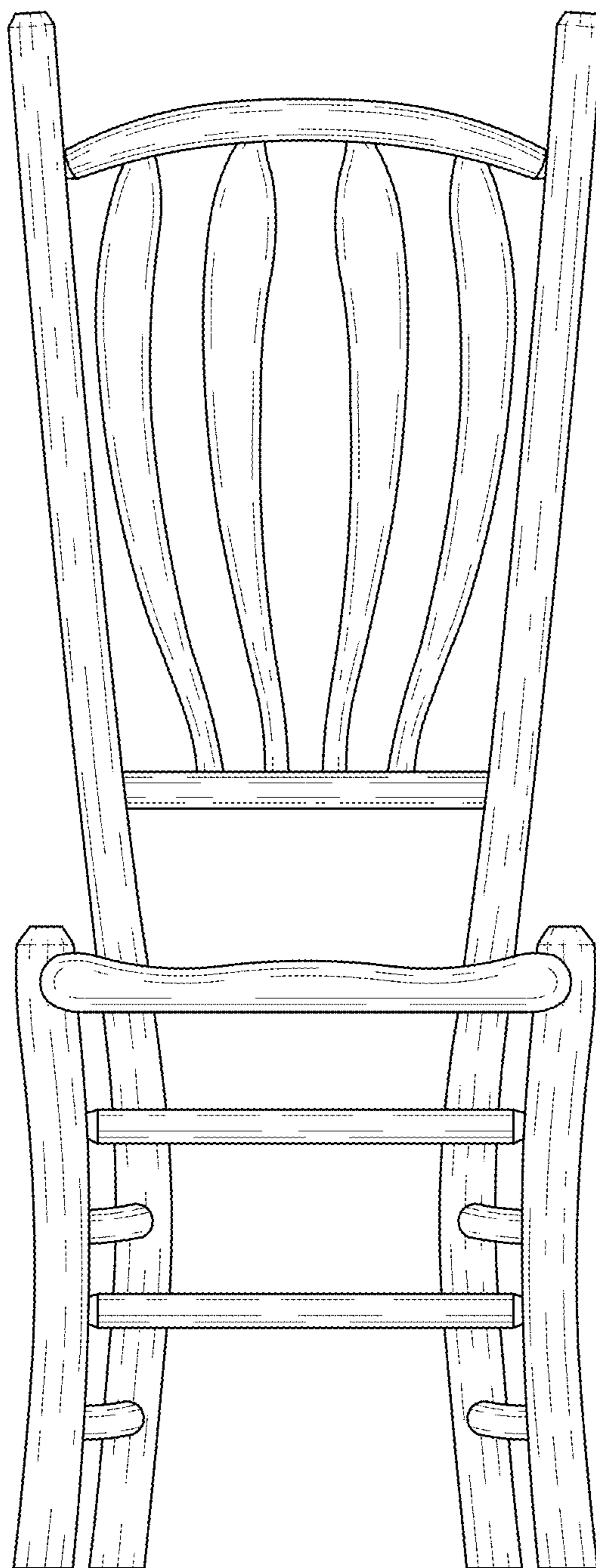


FIG. 6



*FIG. 7*



*FIG. 8*