



US00D713648S

(12) **United States Design Patent**
Gregson

(10) **Patent No.:** **US D713,648 S**

(45) **Date of Patent:** **** Sep. 23, 2014**

(54) **CHAIR**

(71) Applicant: **Barry Gregson**, Schroon Lake, NY (US)

(72) Inventor: **Barry Gregson**, Schroon Lake, NY (US)

(**) Term: **14 Years**

(21) Appl. No.: **29/466,802**

(22) Filed: **Sep. 11, 2013**

(51) **LOC (10) Cl.** **06-01**

(52) **U.S. Cl.**
USPC **D6/370**

(58) **Field of Classification Search**

CPC A47C 4/024; A47C 4/028; A47C 4/02;
A47C 4/03; A47C 5/06; A47C 7/16
USPC D6/334-336, 370, 376, 379, 380, 716,
D6/716.1, 716.2, 716.3, 716.4; 297/445.1,
297/446.1, 446.2, 452.63, 452.2
See application file for complete search history.

(56) **References Cited**

U.S. PATENT DOCUMENTS

2,016,953 A * 10/1935 Arnold A47C 7/16
2,182,485 A * 12/1939 Murdock A47C 7/16

2,320,786 A * 6/1943 Lucas A47C 7/16
D388,623 S * 1/1998 Mohundro D6/370
D388,625 S * 1/1998 Mohundro D6/370
D396,359 S * 7/1998 Jiang D6/370
6,666,518 B2 * 12/2003 Bruschi et al. A47C 4/024
6,695,408 B1 * 2/2004 Nobbe A47C 4/028
D497,490 S * 10/2004 Socha et al. D6/370
D519,741 S * 5/2006 Katz et al. D6/370

* cited by examiner

Primary Examiner — Mimoso De

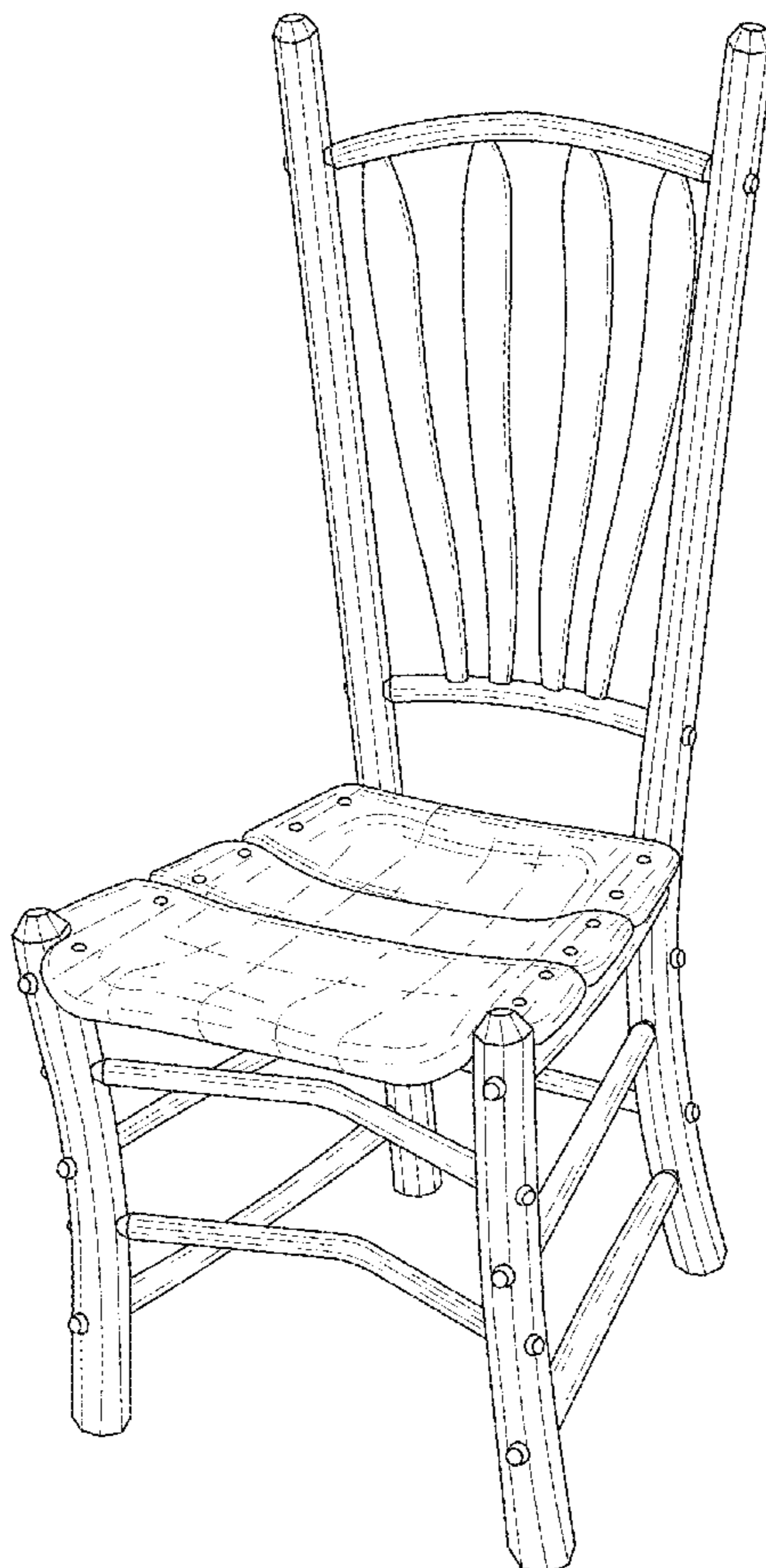
(57) **CLAIM**

The ornamental design for a chair, as shown and described.

DESCRIPTION

FIG. 1 is a front perspective view of a chair showing my new design;
FIG. 2 is a rear perspective view thereof;
FIG. 3 is a top plan view thereof;
FIG. 4 is a bottom plan view thereof;
FIG. 5 is a left side elevation view thereof;
FIG. 6 is a right side elevation view thereof;
FIG. 7 is a back elevation view thereof; and,
FIG. 8 is a front elevation view thereof.

1 Claim, 7 Drawing Sheets



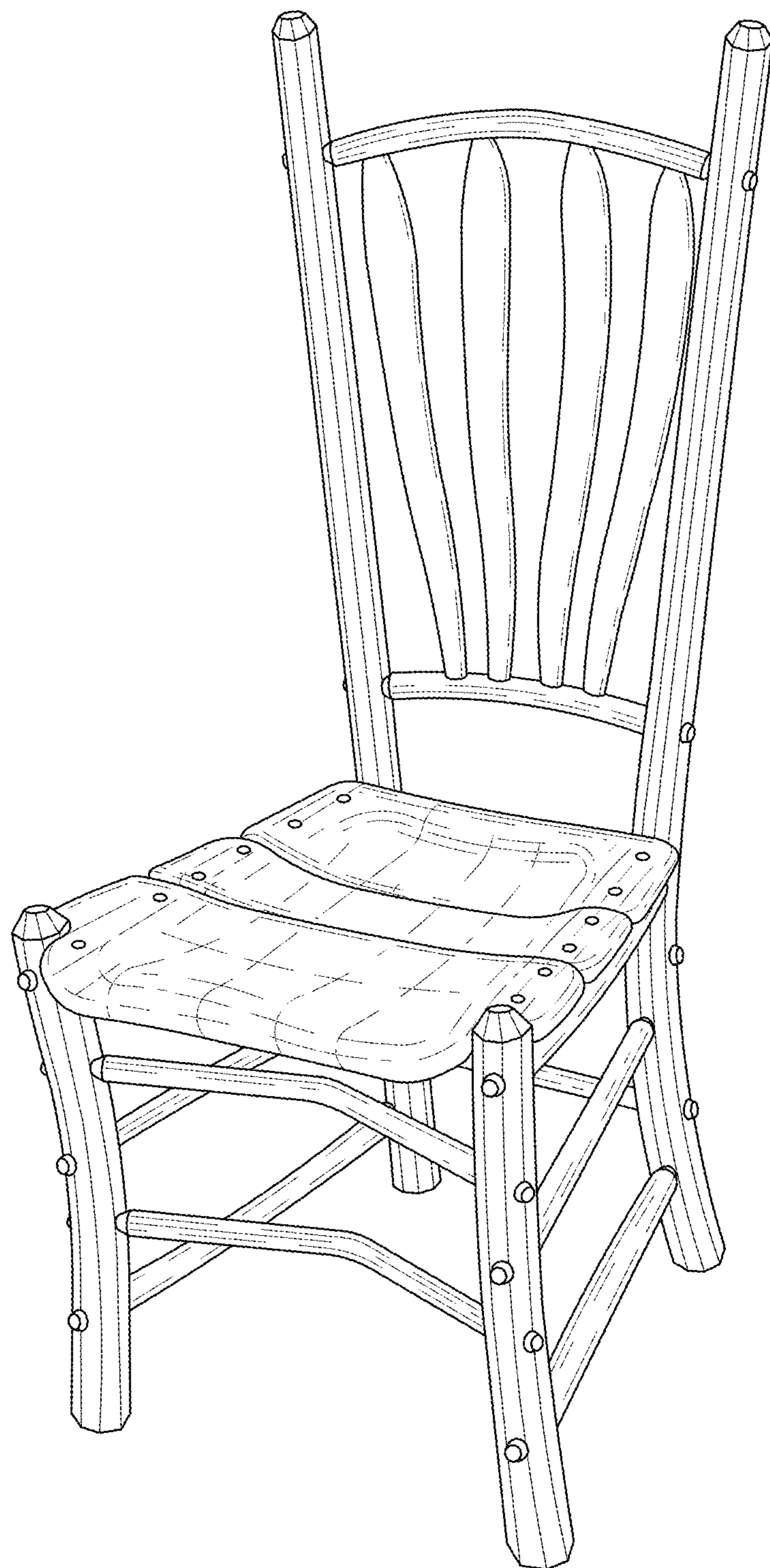


FIG. 1

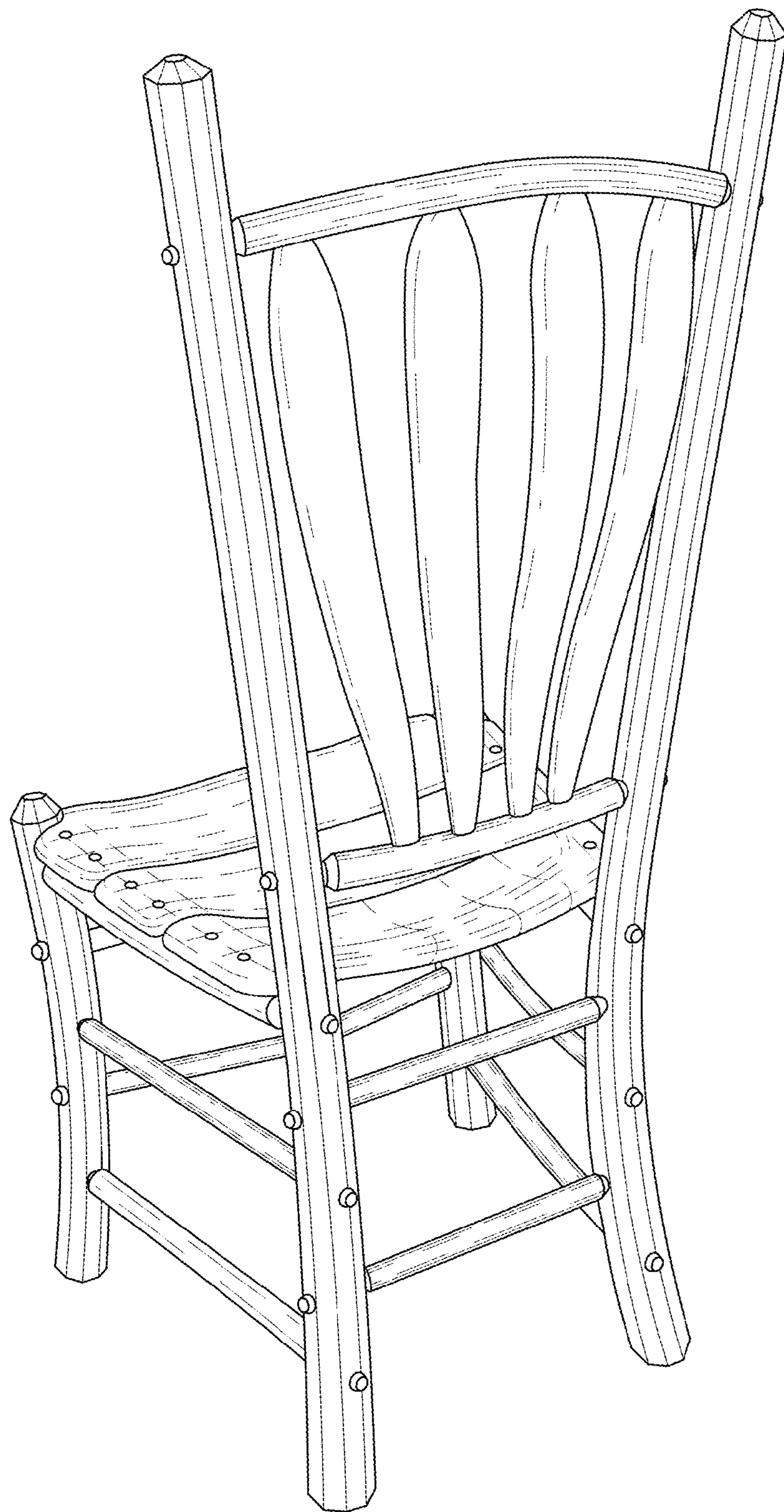


FIG. 2

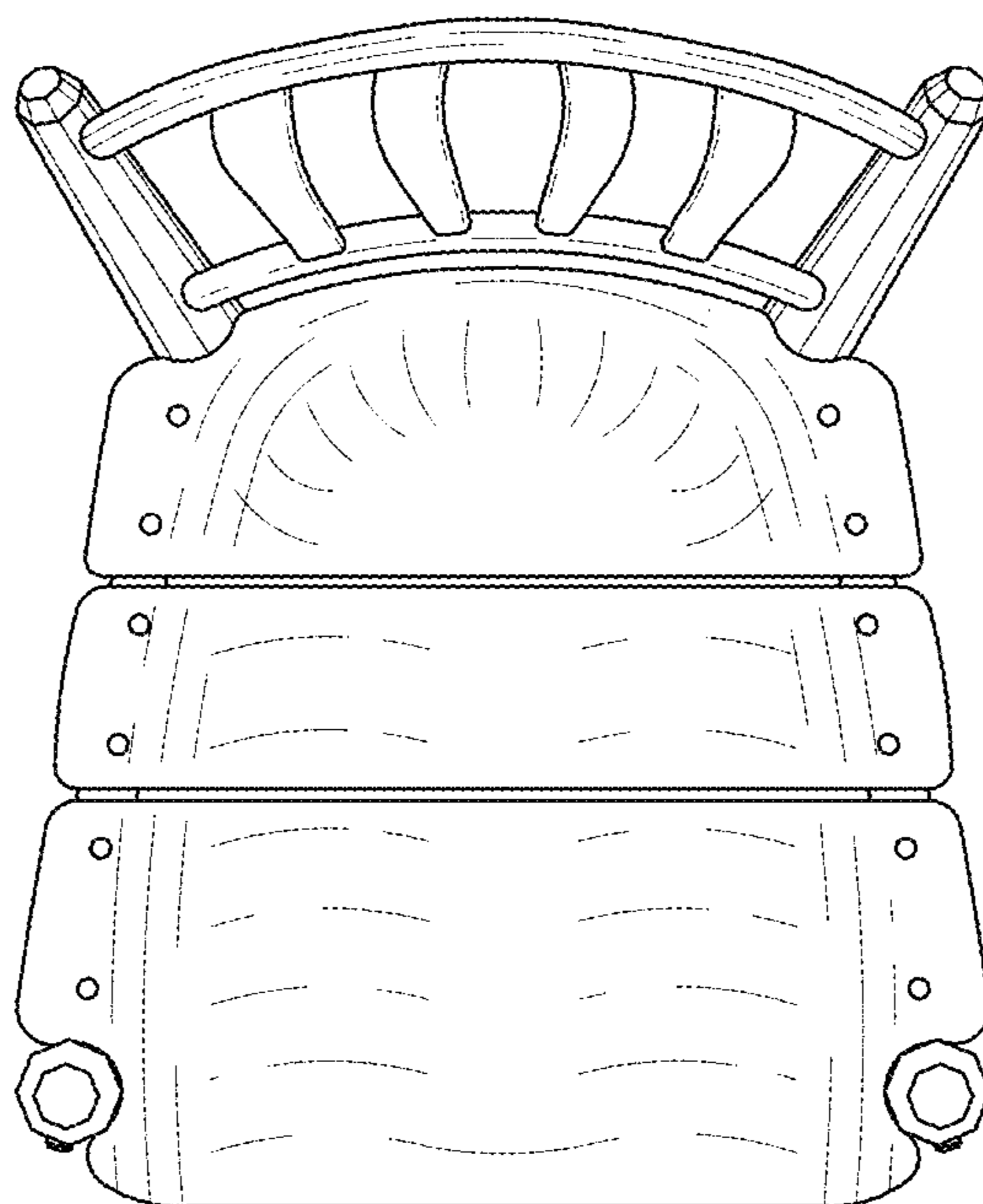


FIG. 3

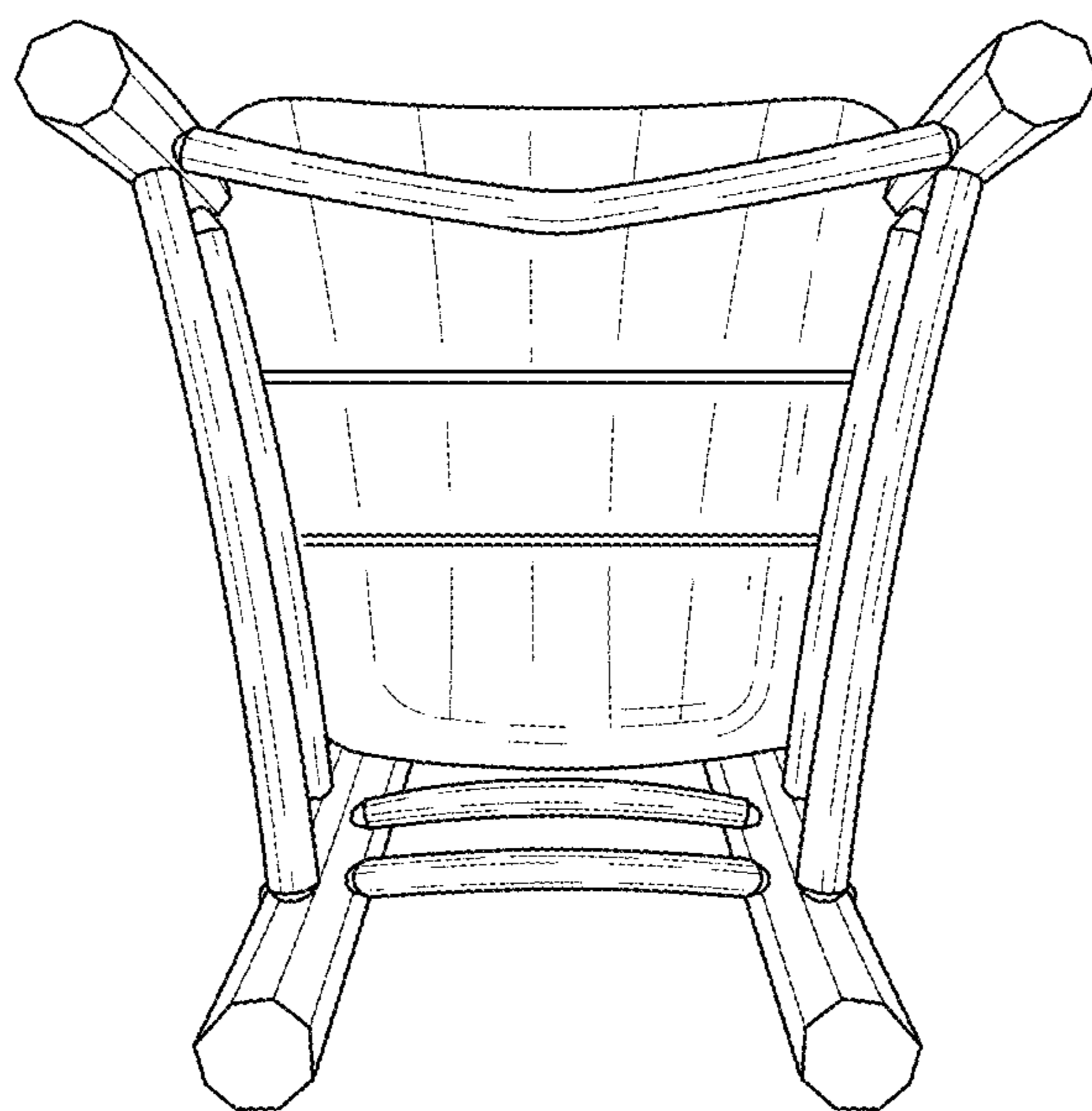


FIG. 4

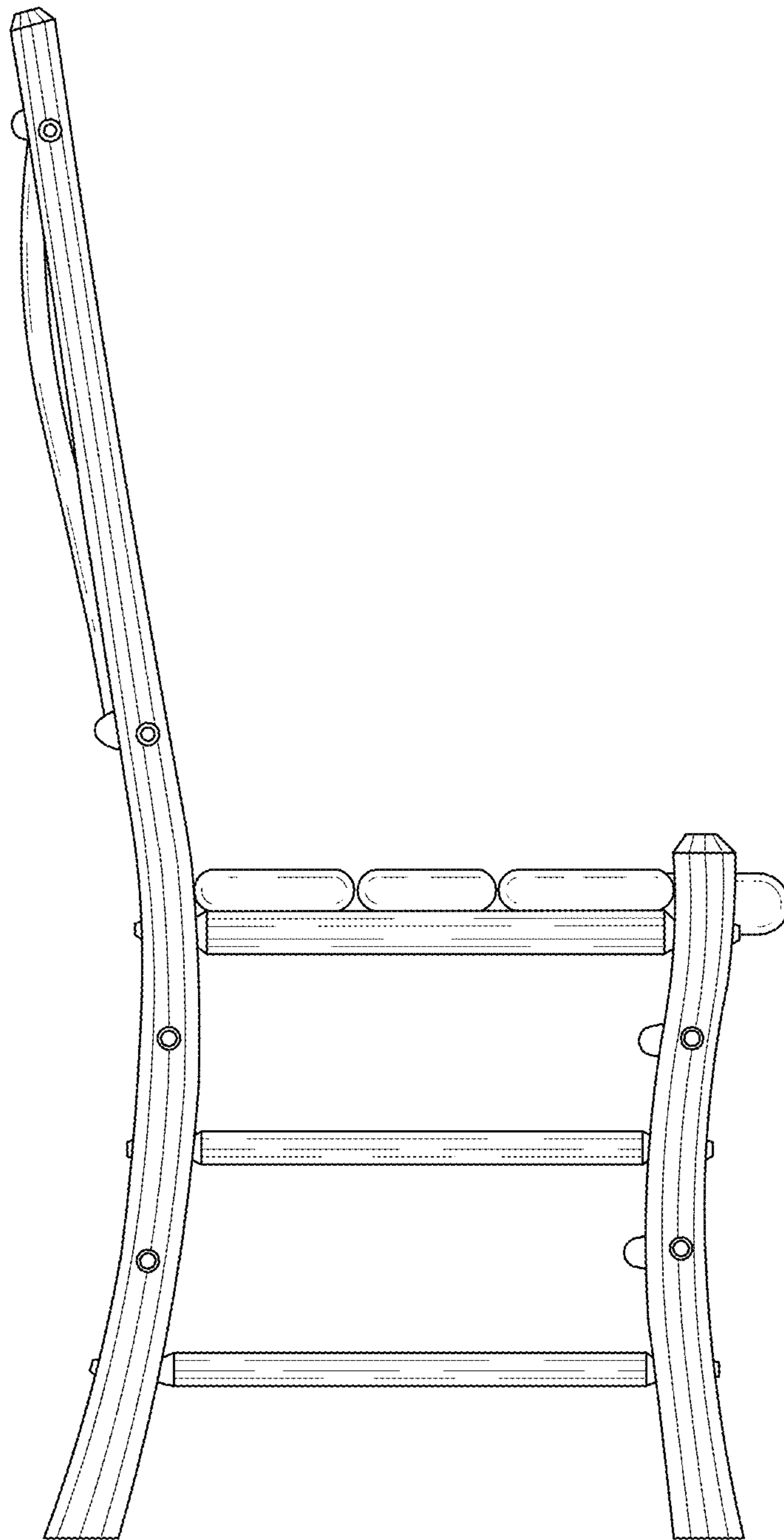


FIG. 5

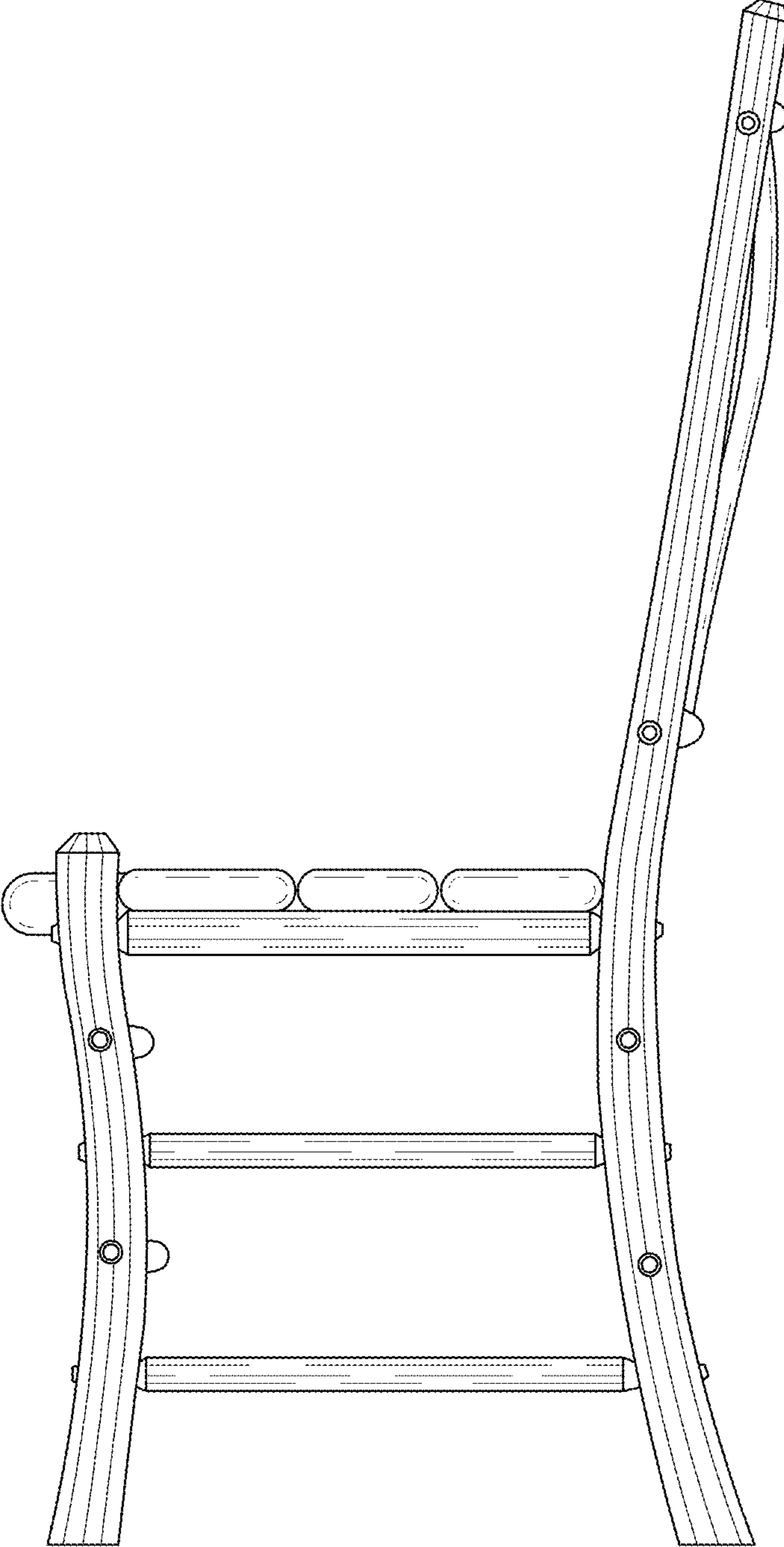


FIG. 6

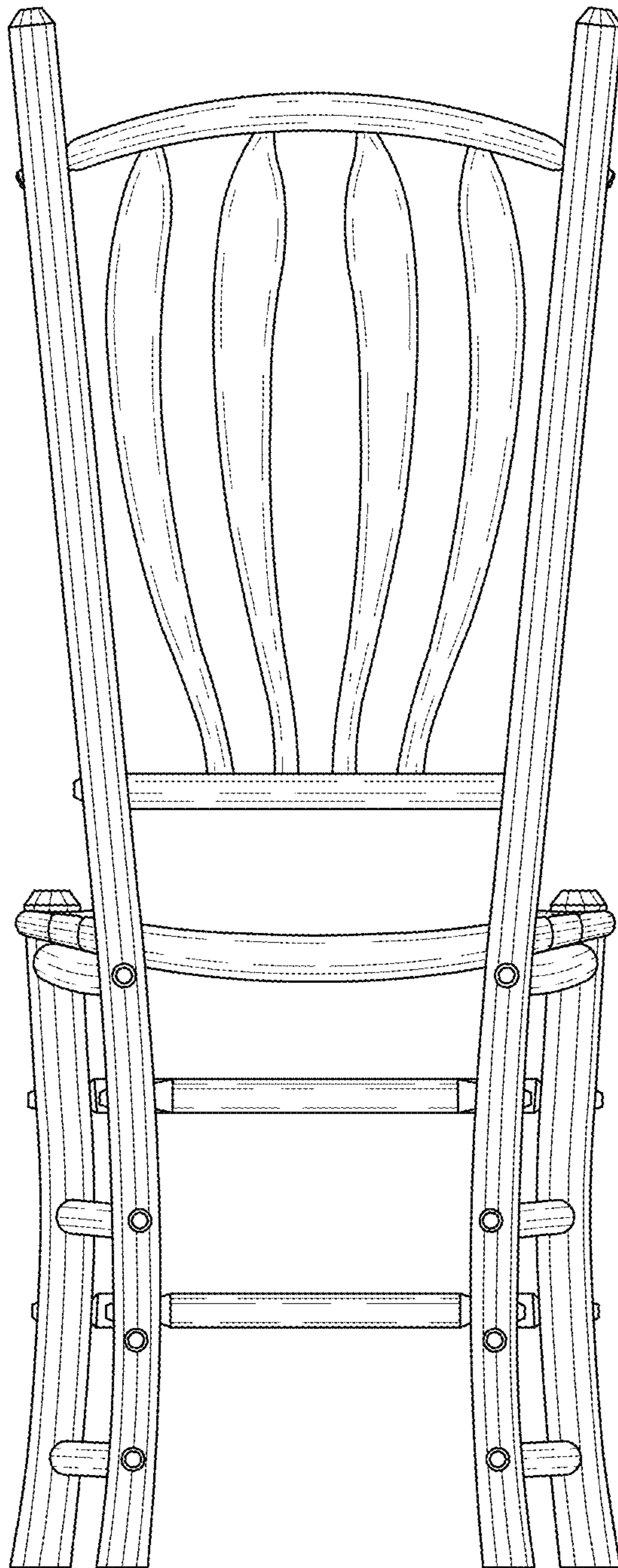


FIG. 7

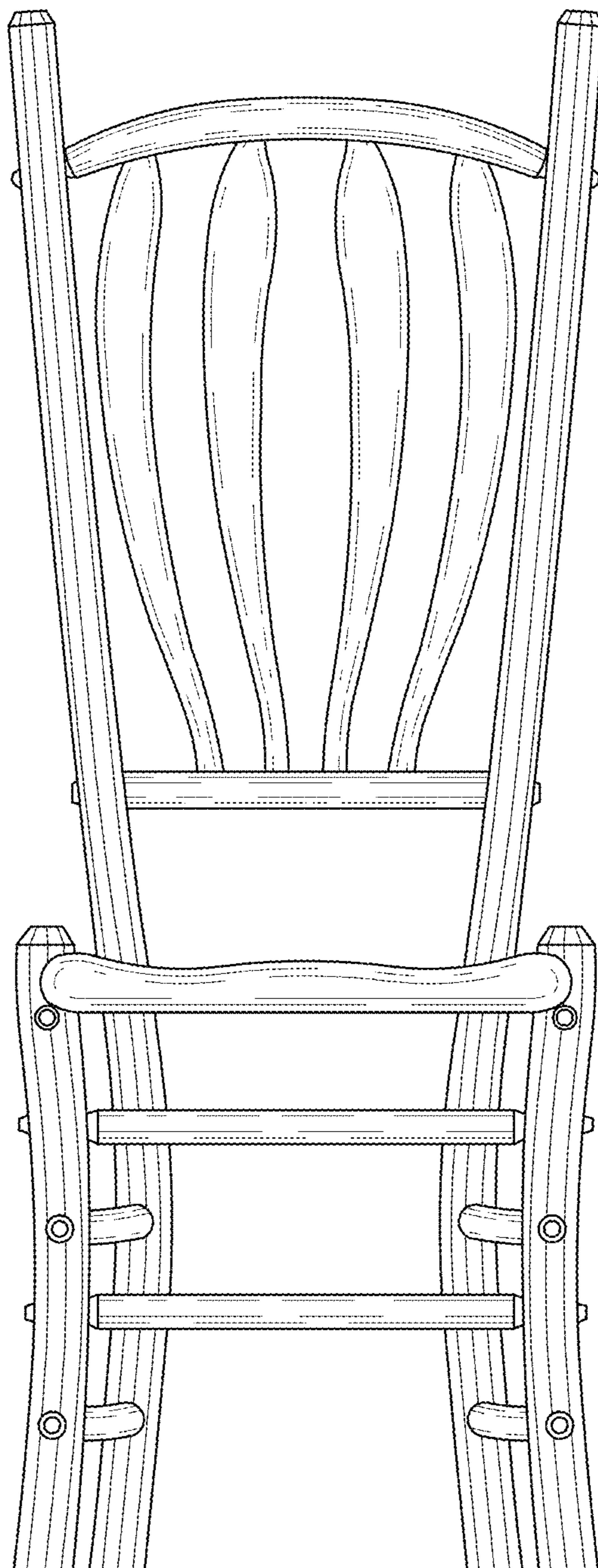


FIG. 8