



US00D713646S

(12) **United States Design Patent**
Mink

(10) **Patent No.:** **US D713,646 S**
(45) **Date of Patent:** **** Sep. 23, 2014**

- (54) **BRUSH**
 - (71) Applicant: **Jeffrey Mink**, Glen Head, NY (US)
 - (72) Inventor: **Jeffrey Mink**, Glen Head, NY (US)
 - (73) Assignee: **FM Brush Co., Inc.**, Glendale, NY (US)
 - (**) Term: **14 Years**
 - (21) Appl. No.: **29/451,728**
 - (22) Filed: **Apr. 8, 2013**
 - (51) **LOC (10) Cl.** **04-01**
 - (52) **U.S. Cl.**
USPC **D4/135**
 - (58) **Field of Classification Search**
USPC D4/135, 128, 199, 131, 138, 121, 116,
D4/132, 118; 15/143.1, 202, 145, 176.6,
15/191.1, 159.1, 246, 111, 207.2, 425,
15/188, 160, 167.1, 245.1, 146, 176.3,
15/104.001, 144.3, 236.03, 236.5, 257.01,
15/105, 142, 104.92, 206, 144.4, 176.1,
15/210.1, 257.05, 248.1, 1, 119.1, 262,
15/264; D3/228; 16/427, 430, 422;
294/209, 172, 210; D32/54; 300/21;
132/320, 218, 317; 401/199, 286, 129,
401/122, 270, 183, 186, 121; 7/105, 151
- See application file for complete search history.

D471,018	S	3/2003	Mink	
D479,917	S	9/2003	Mink	
D479,918	S	9/2003	Mink	
D480,217	S	10/2003	Mink	
D480,218	S	10/2003	Mink	
6,779,532	B2 *	8/2004	Dorf	132/200
D562,566	S	2/2008	Mink	
7,895,698	B2	3/2011	Mink	
8,104,132	B2	1/2012	Mink	
D679,506	S *	4/2013	Hile	D4/135
2001/0042281	A1 *	11/2001	Forsline	15/245.1
2001/0052160	A1 *	12/2001	Dorf	15/159.1
2002/0083953	A1 *	7/2002	Dorf	132/200
2003/0150073	A1 *	8/2003	Jang	15/143.1
2005/0133947	A1 *	6/2005	Jang	264/162
2005/0257337	A1 *	11/2005	Clegg et al.	15/105
2007/0151061	A1 *	7/2007	Mink et al.	15/160
2010/0095973	A1 *	4/2010	Shrier et al.	132/200
2013/0098382	A1 *	4/2013	Martin et al.	132/200
2013/0125921	A1 *	5/2013	Celia	132/313
2013/0199556	A1 *	8/2013	Lim	132/148

* cited by examiner

Primary Examiner — Eric Goodman
Assistant Examiner — Ryan Harvey
(74) *Attorney, Agent, or Firm* — Keusey & Associates, P.C.

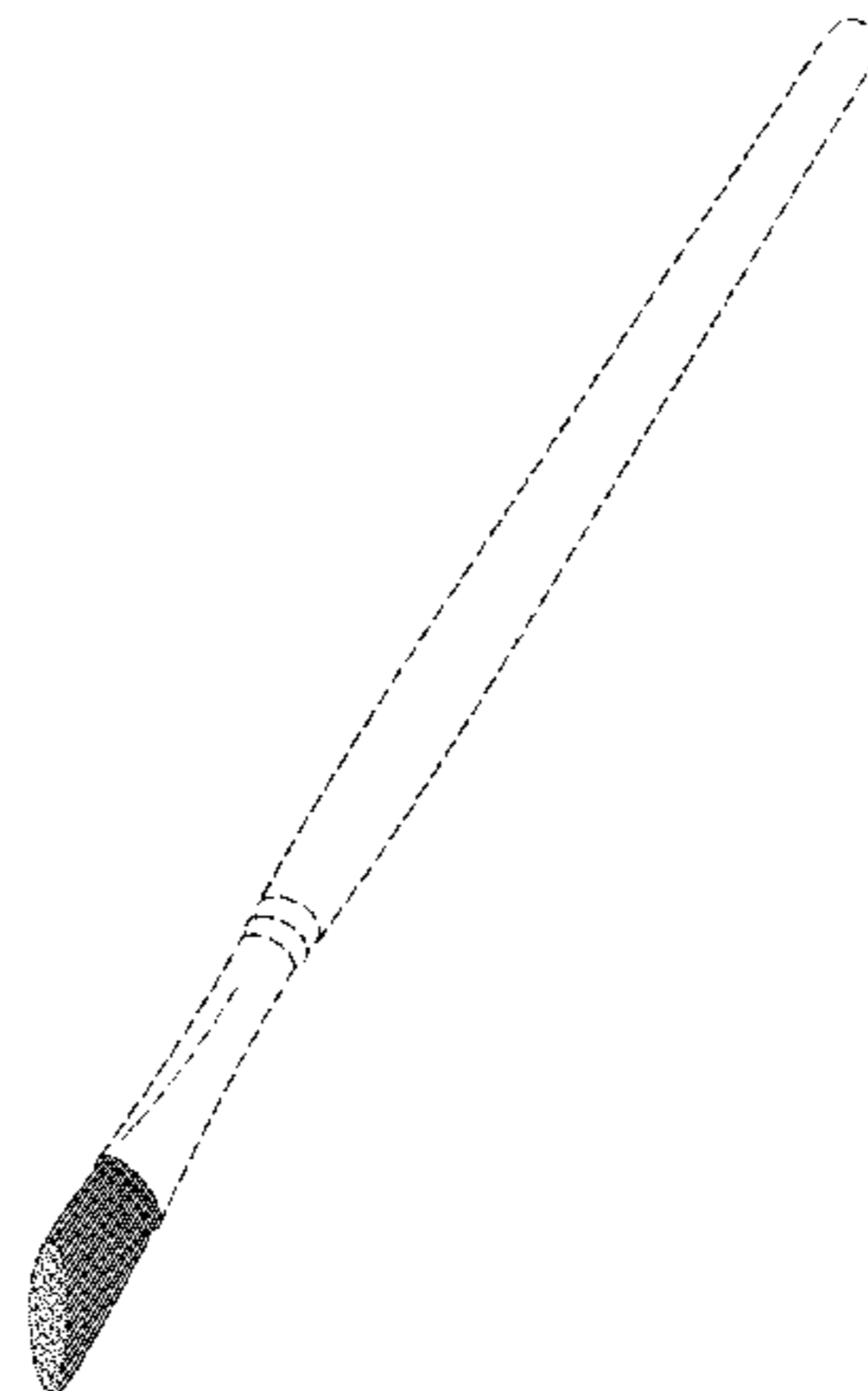
(57) **CLAIM**
The ornamental design for a brush, as shown and described.

DESCRIPTION

FIG. 1 is a top, front, right side perspective view of my new design of a brush.
FIG. 2 is a front side elevational thereof, the back side being a mirror image thereof.
FIG. 3 is a right side elevational view thereof.
FIG. 4 is a left side elevational view thereof.
FIG. 5 is a top plan view thereof; and,
FIG. 6 is a bottom plan view thereof.
The broken lines showing a ferrule and handle are included to show environmental structure and form no part of the claimed design.

1 Claim, 1 Drawing Sheet

- (56) **References Cited**
U.S. PATENT DOCUMENTS
- | | | | | |
|-----------|------|---------|-------------|----------|
| 5,896,620 | A | 4/1999 | Mink | |
| D439,415 | S | 3/2001 | Mink et al. | |
| 6,308,371 | B1 * | 10/2001 | Forsline | 15/245.1 |
| D450,189 | S | 11/2001 | Mink et al. | |
| D450,931 | S * | 11/2001 | Mink et al. | D4/135 |
| D452,994 | S | 1/2002 | Mink et al. | |
| D454,001 | S * | 3/2002 | Mink et al. | D4/127 |
| D463,136 | S | 9/2002 | Mink | |
| 6,513,183 | B2 * | 2/2003 | Dorf | 15/191.1 |



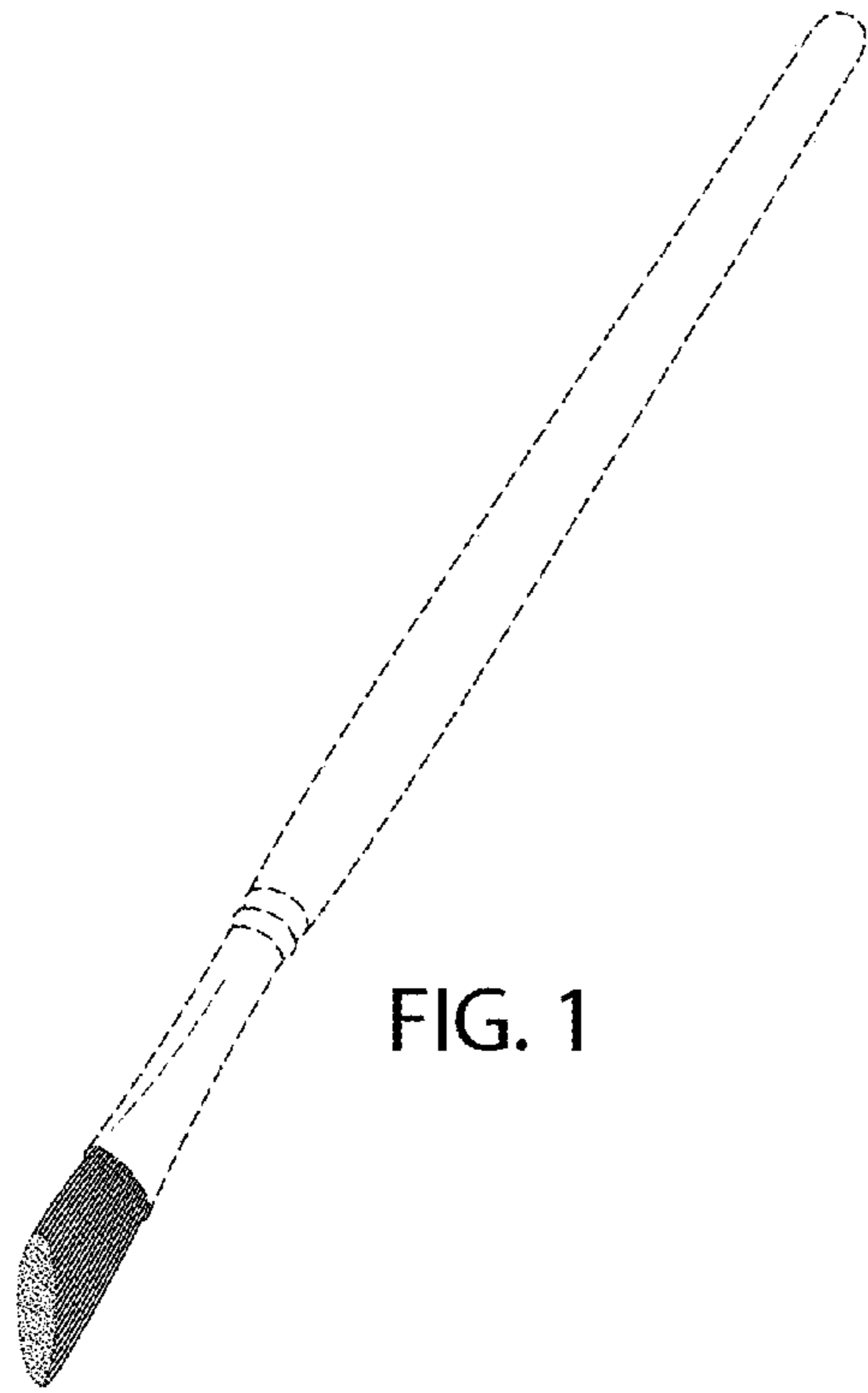


FIG. 1



FIG. 5



FIG. 6

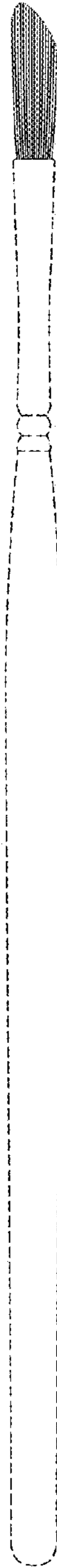


FIG. 2

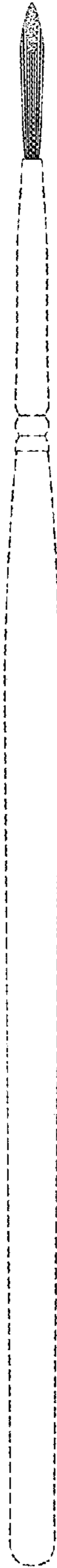


FIG. 3

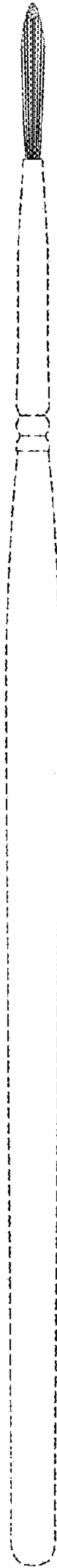


FIG. 4