



US00D713645S

(12) **United States Design Patent**
Wang

(10) **Patent No.:** **US D713,645 S**

(45) **Date of Patent:** **** Sep. 23, 2014**

(54) **HANDBAG DESIGN**

(71) Applicant: **Kate Spade LLC**, New York, NY (US)

(72) Inventor: **San Chyi Wang**, Rego Park, NY (US)

(73) Assignee: **Kate Spade LLC**, New York, NY (US)

(**) Term: **14 Years**

(21) Appl. No.: **29/449,850**

(22) Filed: **Mar. 15, 2013**

(51) **LOC (10) Cl.** **03-01**

(52) **U.S. Cl.**
USPC **D3/318**

(58) **Field of Classification Search**
CPC **A45C 1/02**
USPC **D3/232-233, 240-243, 245-246, 318;**
150/100, 103-110, 113-114, 117-119
See application file for complete search history.

(56) **References Cited**

U.S. PATENT DOCUMENTS

2,020,906	A *	11/1935	Rolfs	150/113
2,023,144	A *	12/1935	Miller	150/105
2,068,507	A *	1/1937	Nagel	150/103
2,127,067	A *	8/1938	Moss	150/104
3,831,651	A *	8/1974	Leahy	150/106
D572,468	S *	7/2008	Nair	D3/232
D574,612	S *	8/2008	Gonzalez	D3/232

* cited by examiner

Primary Examiner — Holly Baynham

(74) *Attorney, Agent, or Firm* — Norvell IP llc; Shyla Jones

(57) **CLAIM**

I claim the ornamental design for the handbag design, as shown and described.

DESCRIPTION

FIG. 1 is a perspective view of the handbag design of the present invention.

FIG. 2 is a front view of the invention shown in FIG. 1.

FIG. 3 is a rear view of the invention shown in FIG. 1.

FIG. 4 is a that side view of the invention shown in FIG. 1.

FIG. 5 is a second side view of the invention shown in FIG. 1.

FIG. 6 is a top view of the invention shown in FIG. 1.

FIG. 7 is a bottom view of the invention shown in FIG. 1.

FIG. 8 is a perspective view of an alternative embodiment of the handbag design shown in FIG. 1.

FIG. 9 is a front view of the invention shown in FIG. 8.

FIG. 10 is a rear view of the invention shown in FIG. 8.

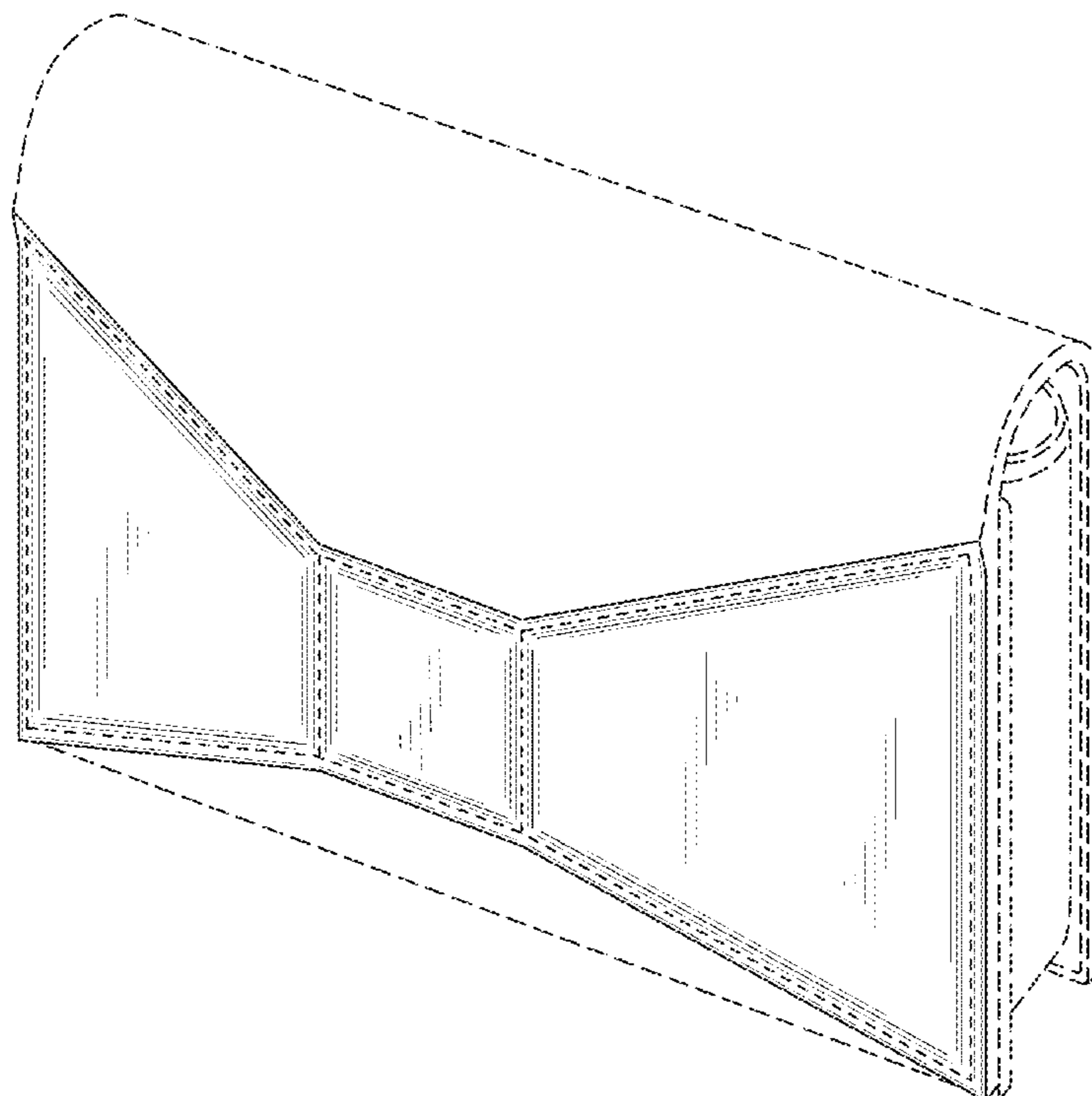
FIG. 11 is a first side view of the invention shown in FIG. 8.

FIG. 12 is a second side view of the invention shown in FIG. 8.

FIG. 13 is a top view of the invention shown in FIG. 8; and, FIG. 14 is a bottom view of the invention shown in FIG. 8.

The ornamental design which is claimed is shown in the solid lines in the drawings. The dotted lines shown within the solid lines represent stitching. The broken lines, other than those representing the stitching, are for illustrative purposes only and form no part of the claimed design.

1 Claim, 12 Drawing Sheets



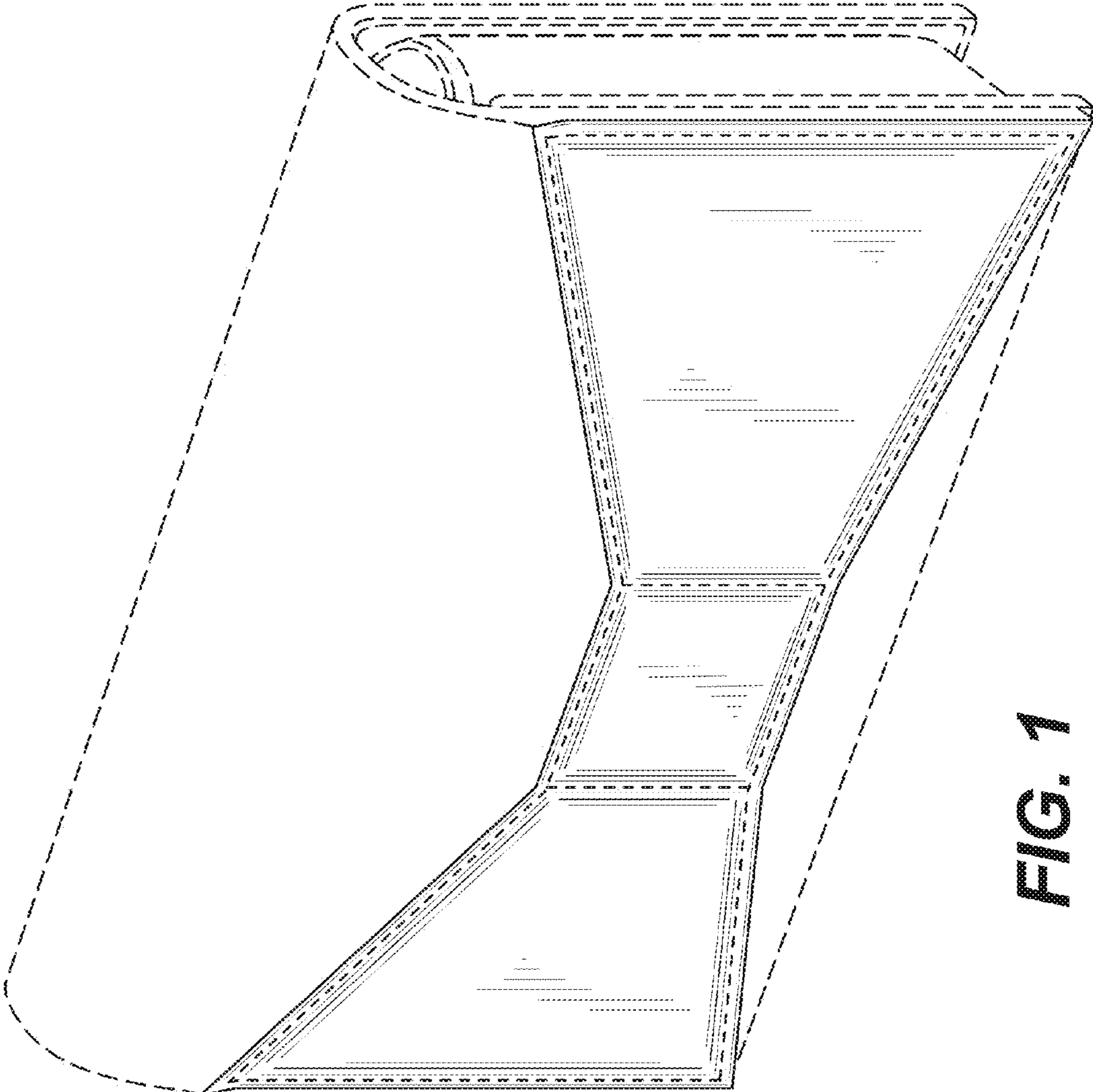


FIG. 1

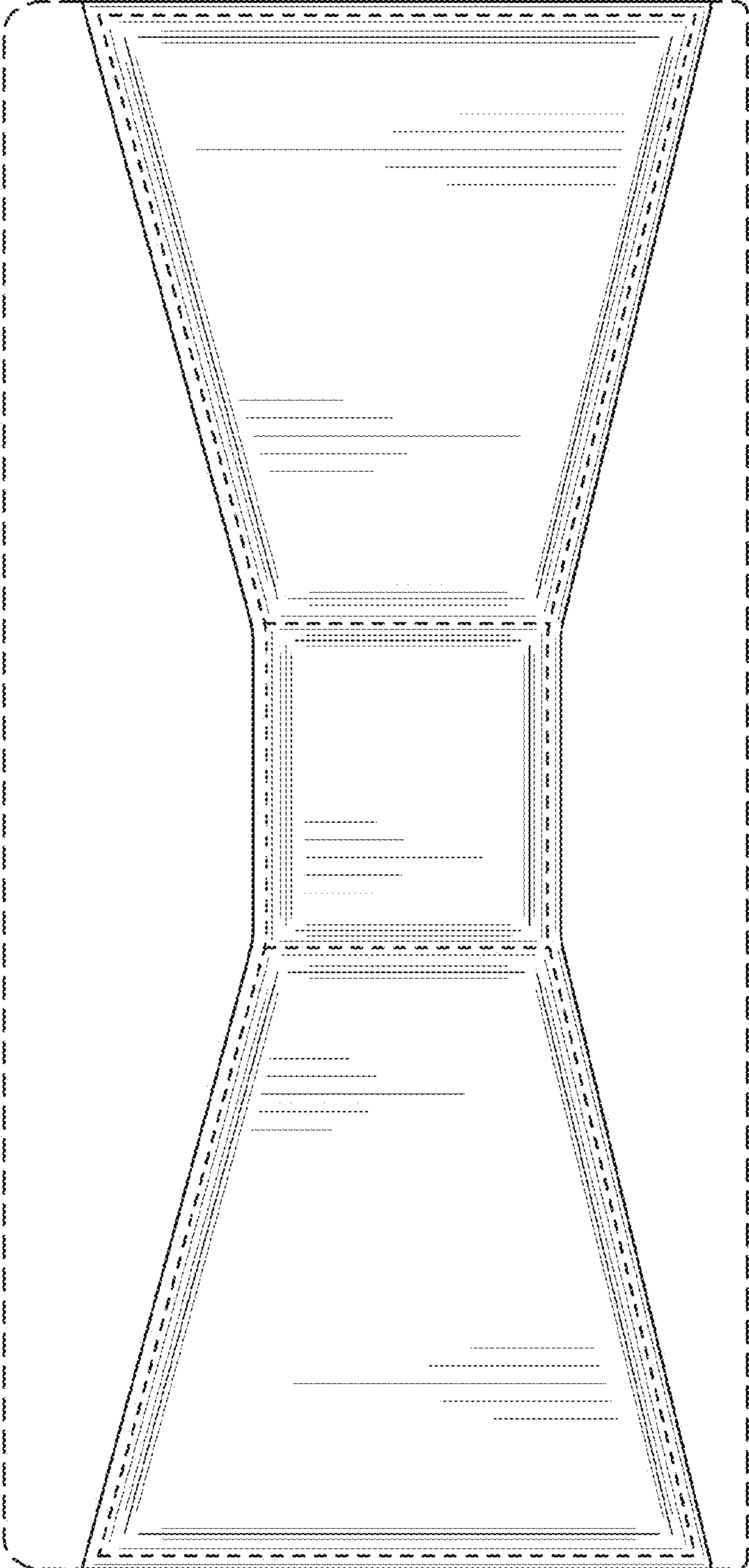


FIG. 2

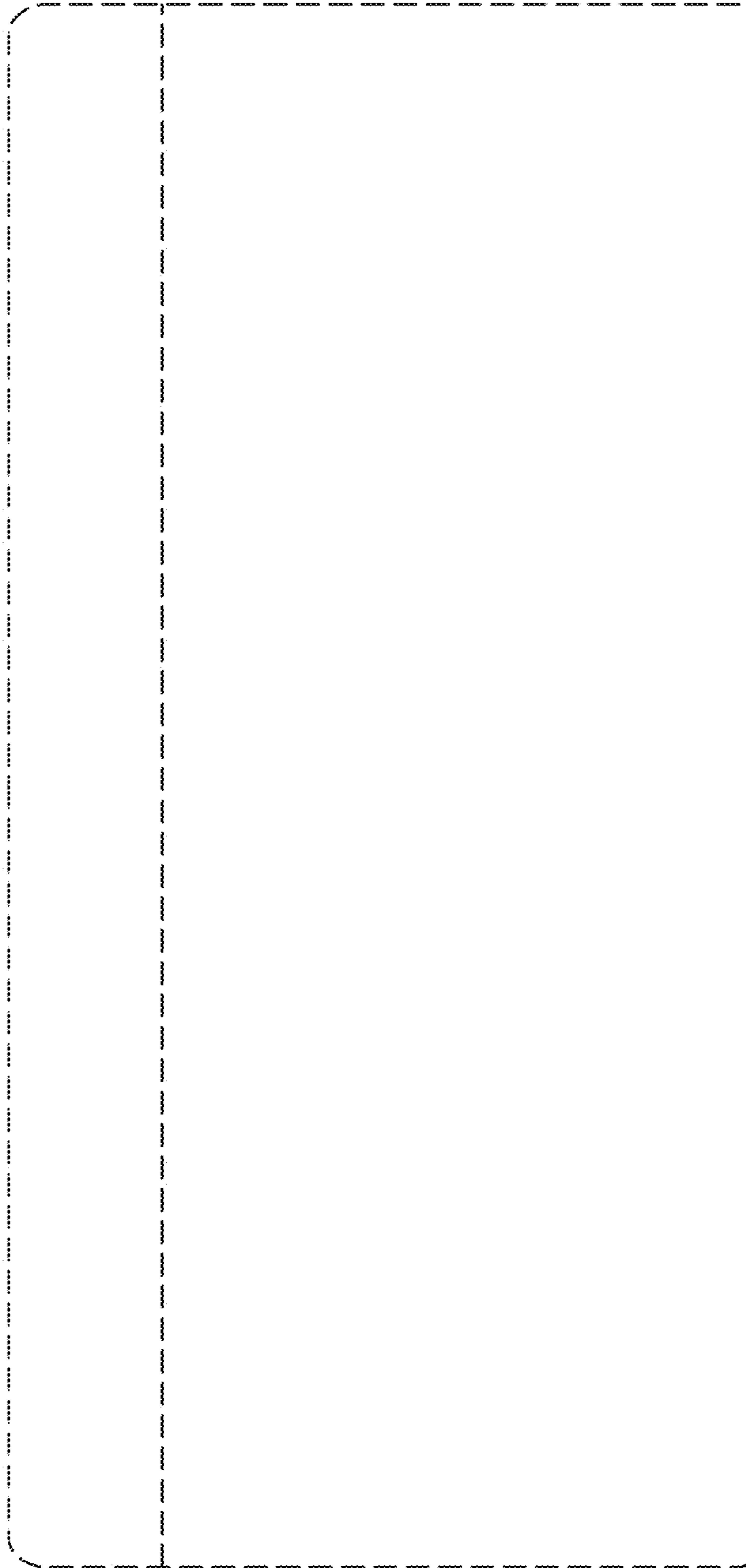


FIG. 3

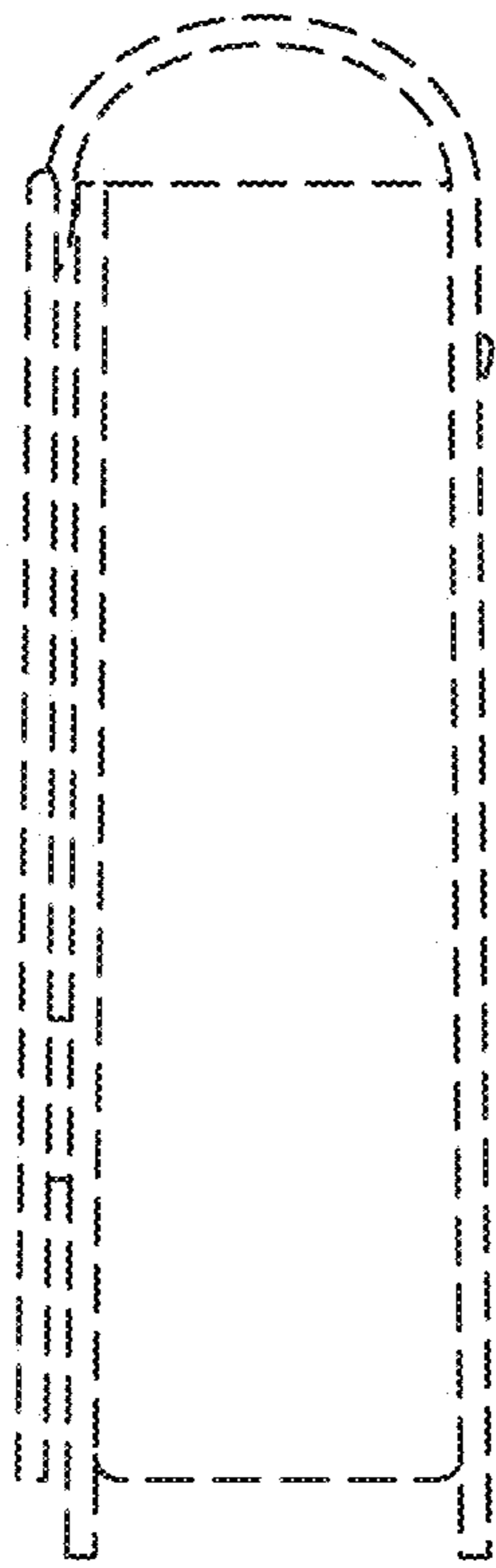


FIG. 4

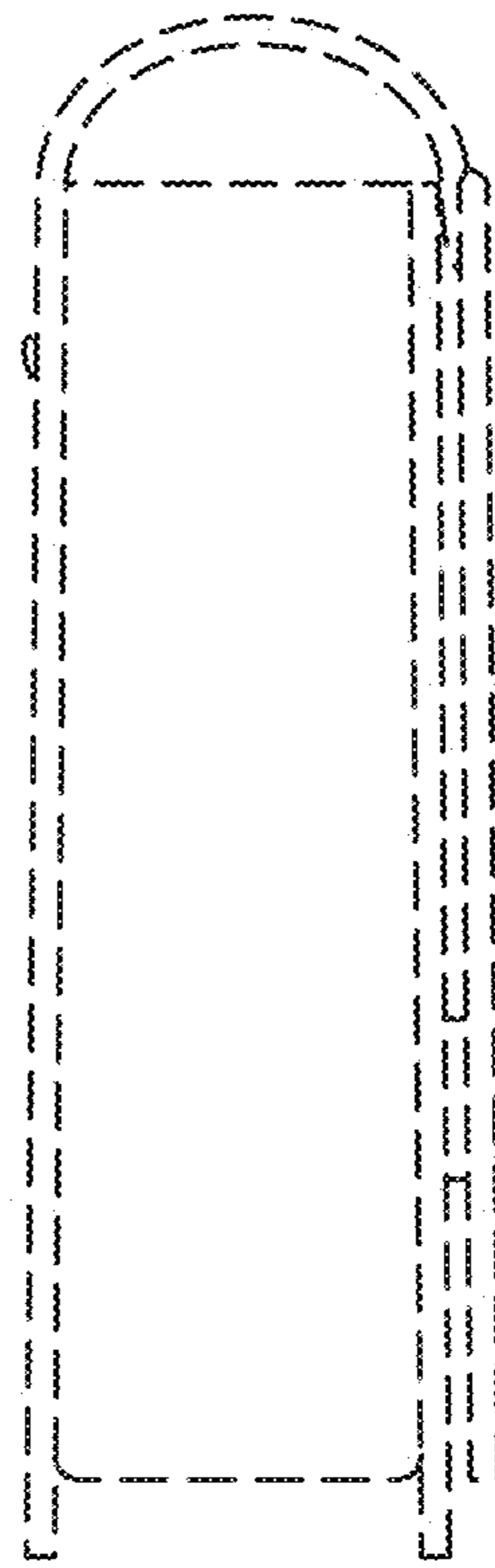


FIG. 5

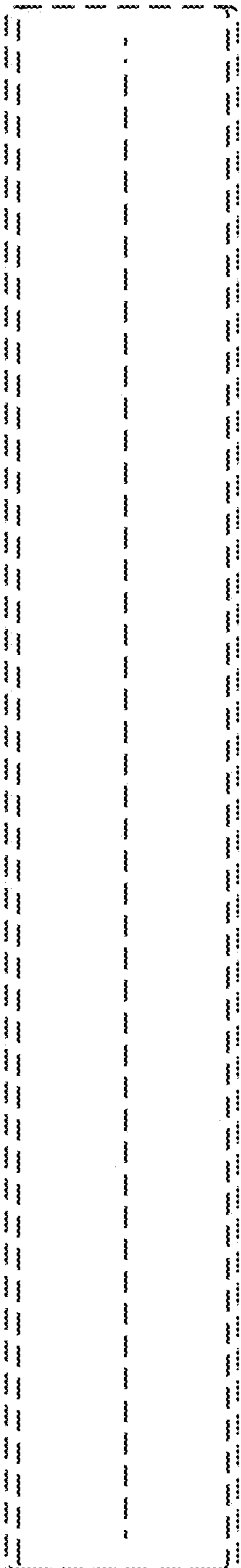


FIG. 6



FIG. 7

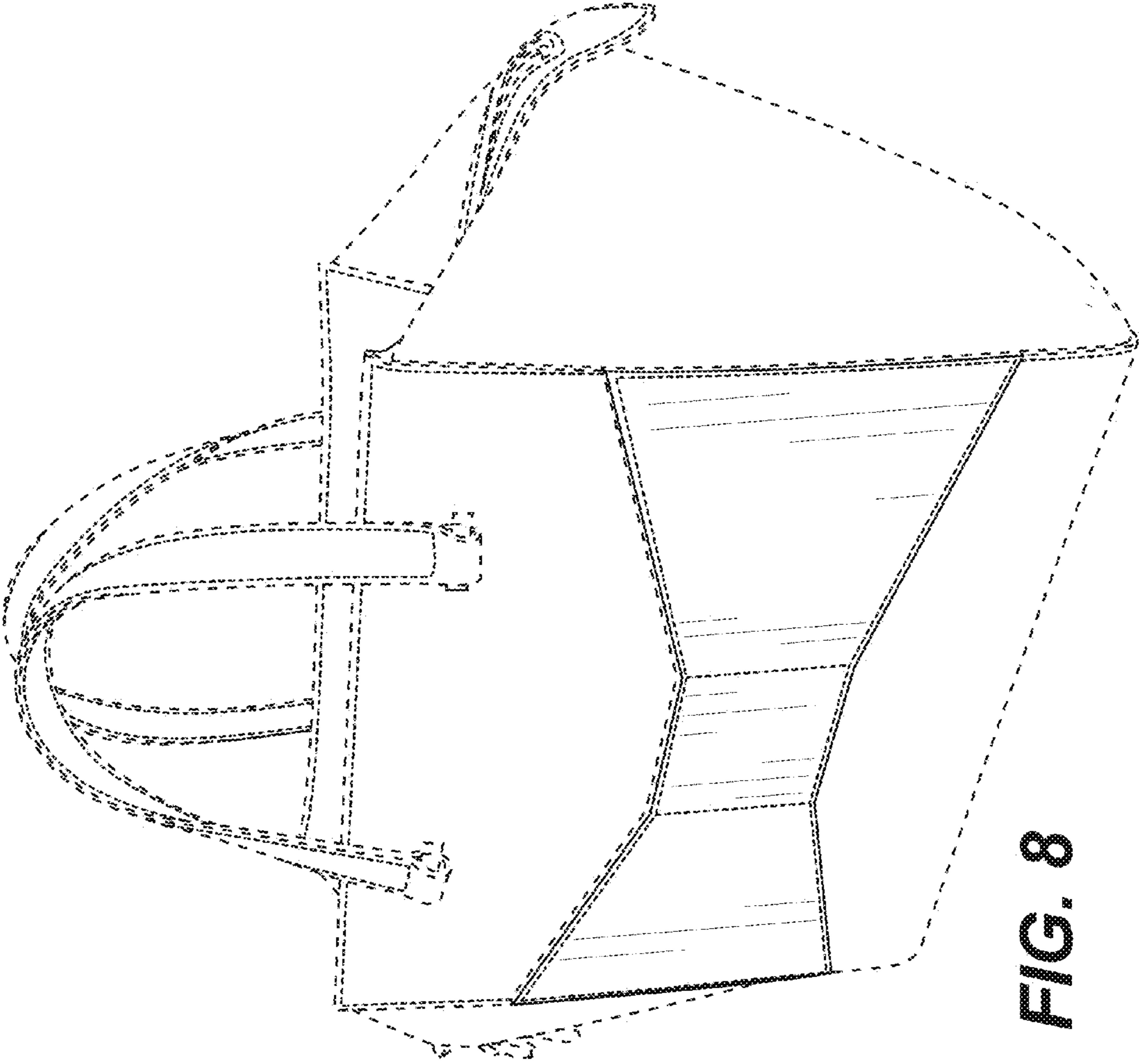


FIG. 8

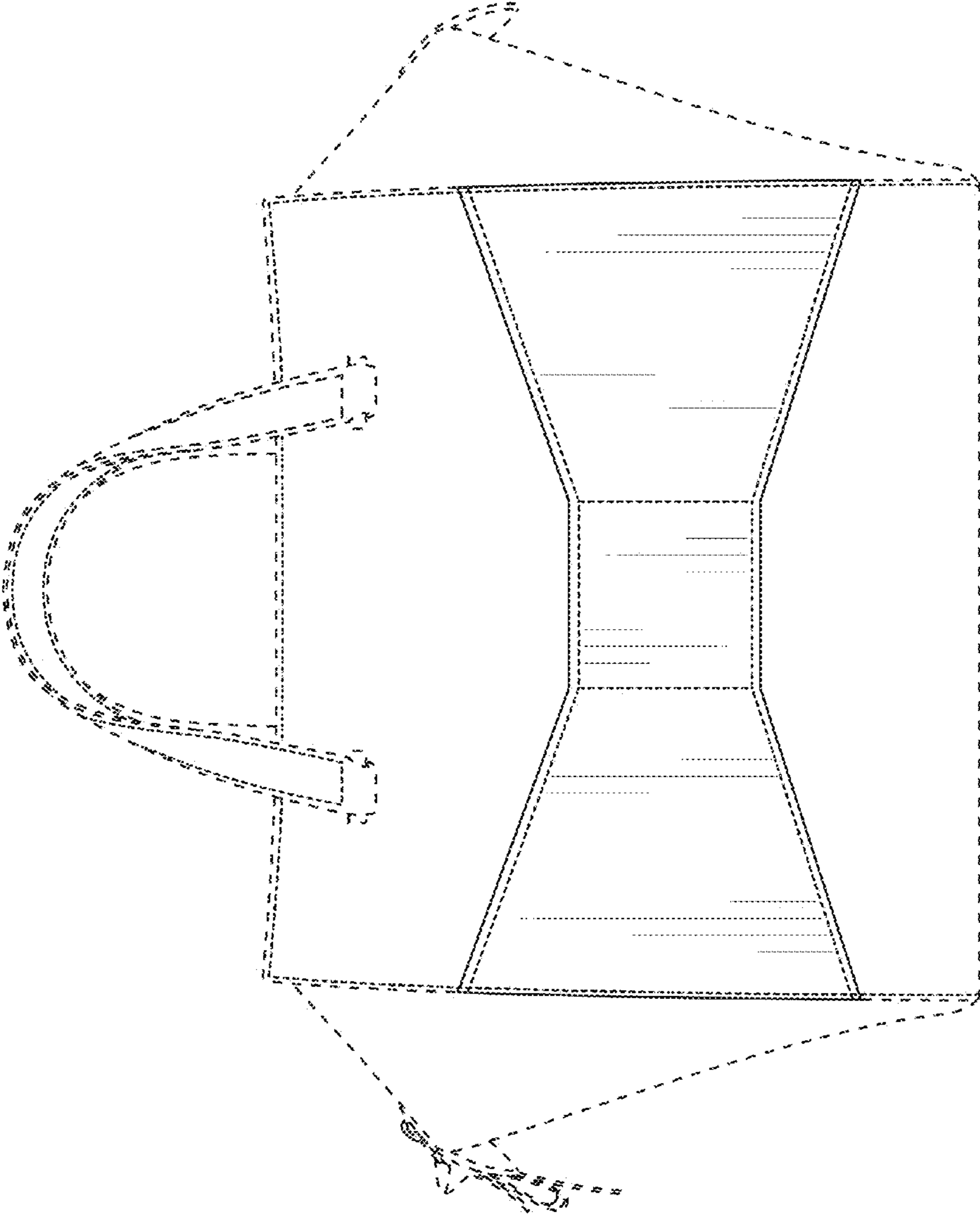


FIG. 9

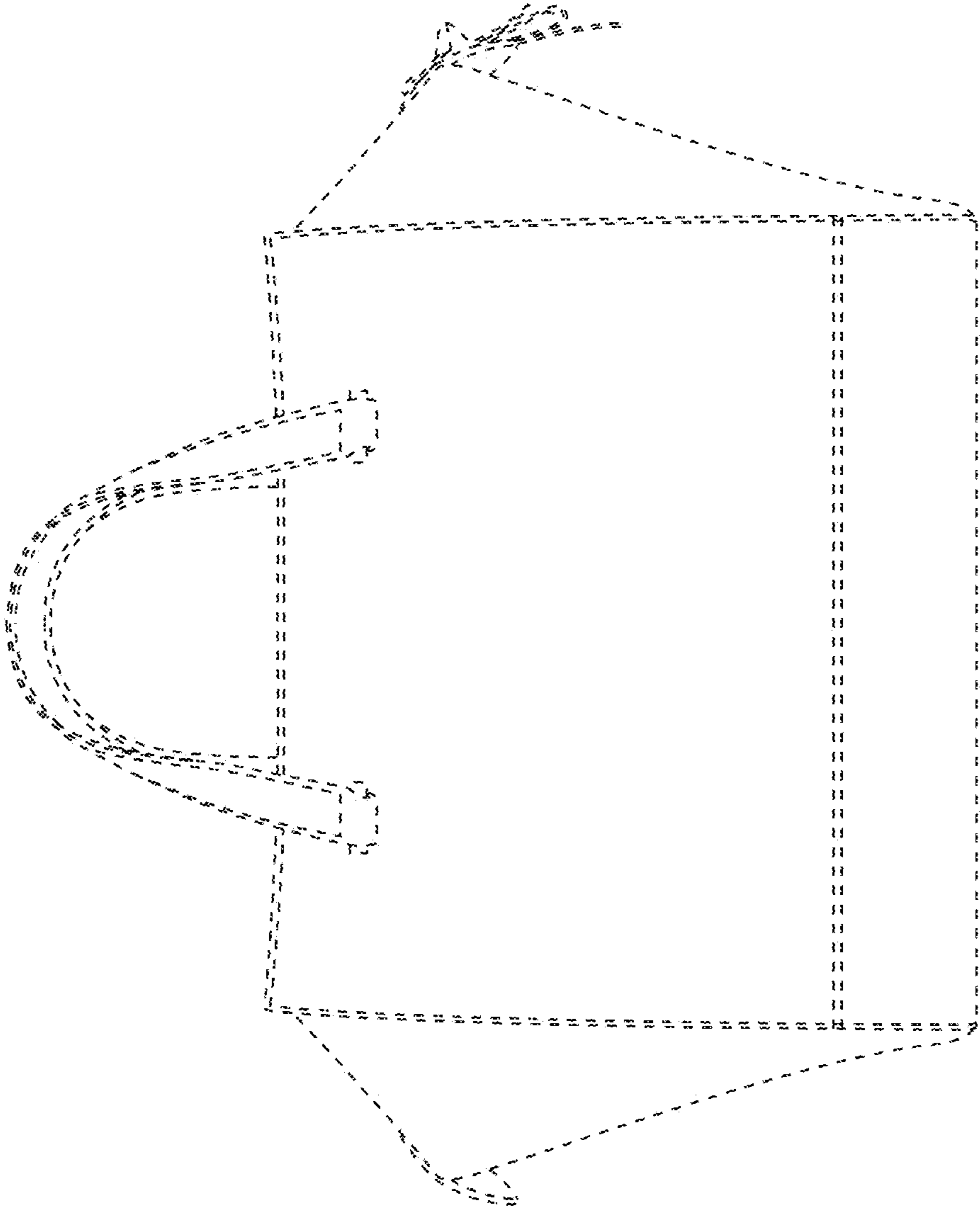


FIG. 10

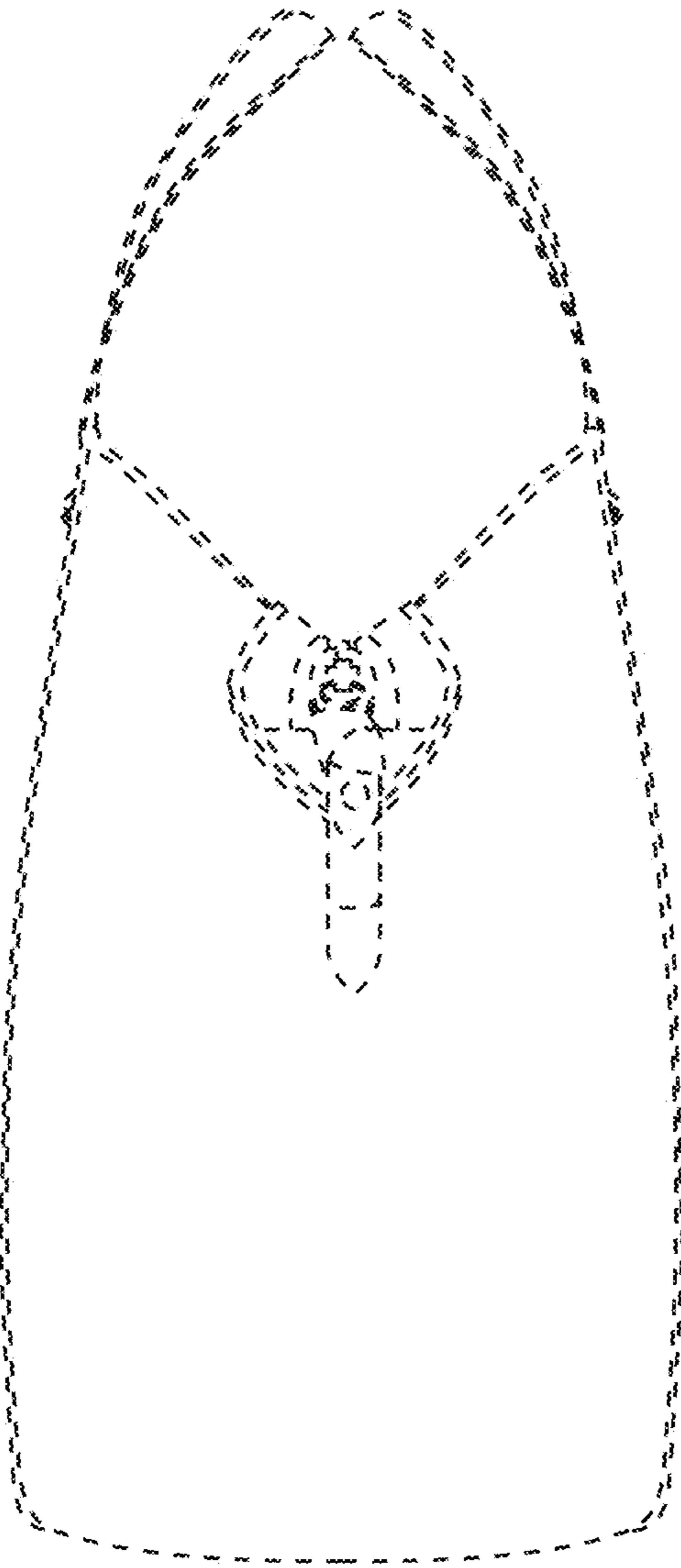


FIG. 11

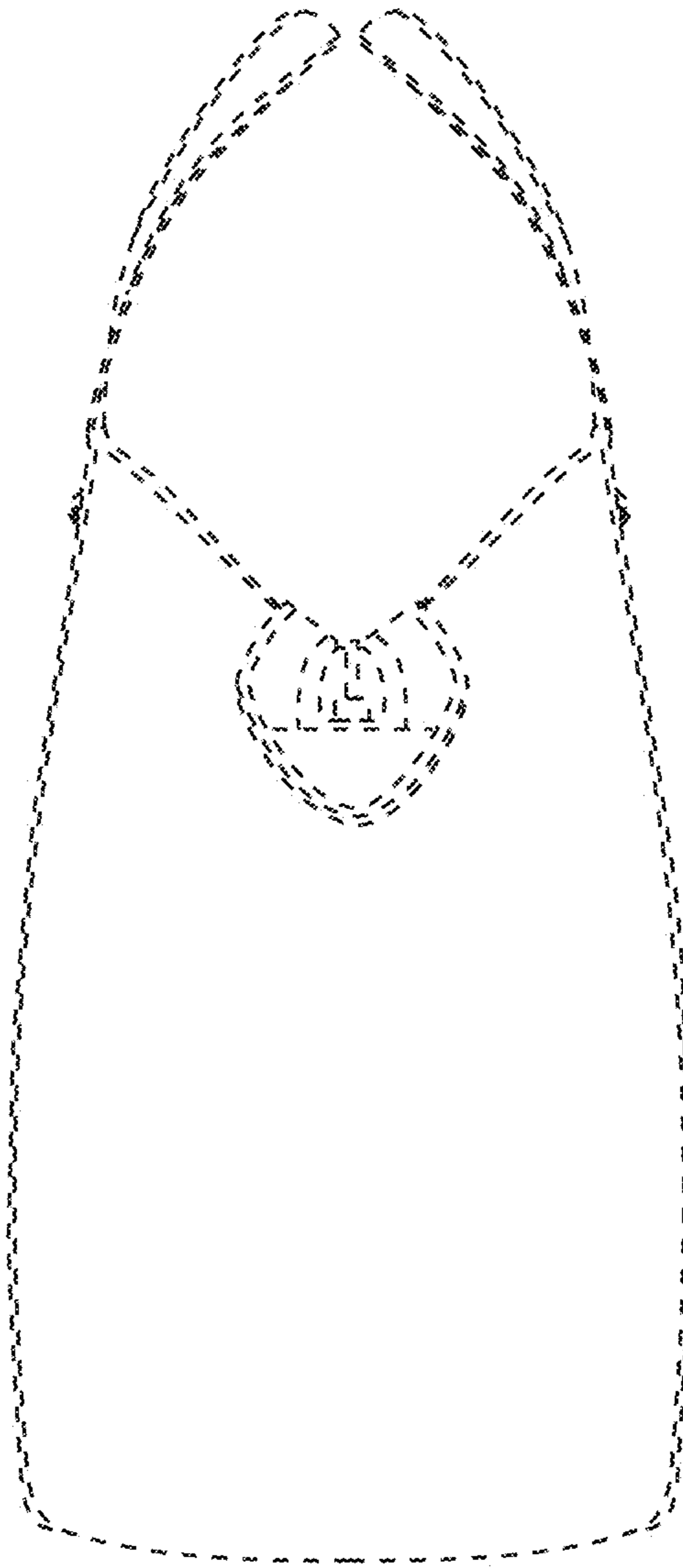


FIG. 12

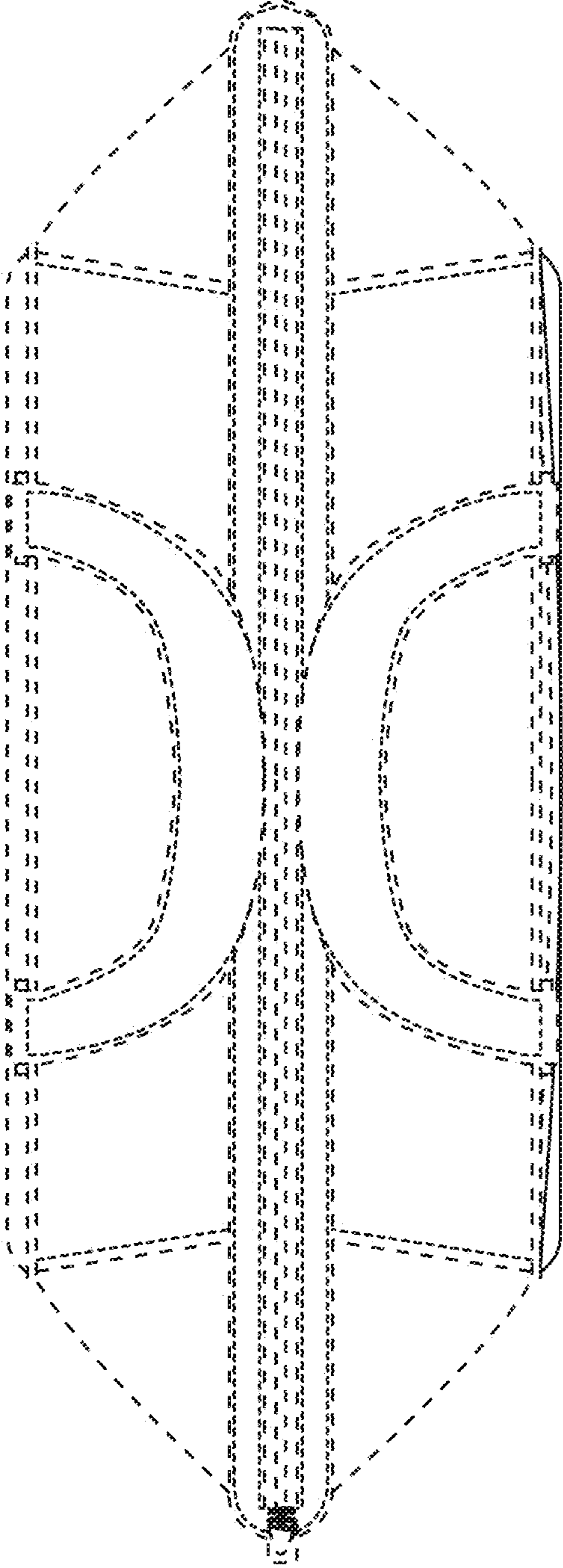


FIG. 13

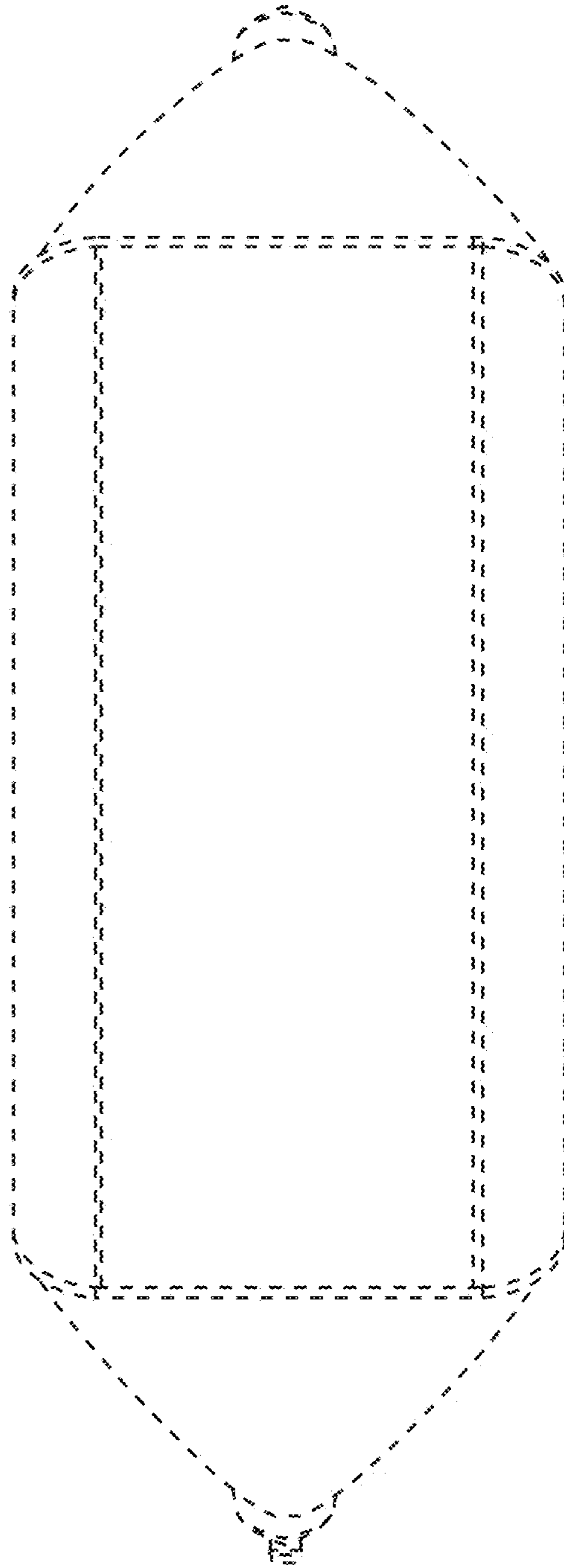


FIG. 14

UNITED STATES PATENT AND TRADEMARK OFFICE
CERTIFICATE OF CORRECTION

PATENT NO. : D713,645 S
APPLICATION NO. : 29/449850
DATED : September 23, 2014
INVENTOR(S) : San Chyi Dennis Wang

Page 1 of 1

It is certified that error appears in the above-identified patent and that said Letters Patent is hereby corrected as shown below:

ON THE TITLE PAGE

Item (57)

In the Description of FIG 4 change “that” to “first”

Signed and Sealed this
Ninth Day of February, 2016



Michelle K. Lee
Director of the United States Patent and Trademark Office