

US00D713637S

(12) **United States Design Patent**
Herriger et al.

(10) **Patent No.:** **US D713,637 S**
(45) **Date of Patent:** **** Sep. 23, 2014**

(54) **POCKET UMBRELLA AND CONTAINER**

D637,390 S * 5/2011 Leung et al. D3/11

(75) Inventors: **Thomas Herriger**, Solingen (DE);
David Haythornthwaite, Xiamen (CN)

* cited by examiner

(73) Assignee: **Praesenta Promotion GmbH**, Solingen (DE)

Primary Examiner — T. Chase Nelson

Assistant Examiner — Ania Aman

(**) Term: **14 Years**

(74) *Attorney, Agent, or Firm* — Henry M. Feiereisen LLC; Ursula B. Day

(21) Appl. No.: **29/397,619**

(57) **CLAIM**

The ornamental design for pocket umbrella and container, as shown and described.

(22) Filed: **Jul. 19, 2011**

DESCRIPTION

(30) **Foreign Application Priority Data**

Feb. 4, 2011 (EP) 001258404-0001

(51) **LOC (10) Cl.** **03-03**

(52) **U.S. Cl.**
USPC **D3/5**

(58) **Field of Classification Search**
USPC D3/5-17; 135/15.1, 16, 20.3, 33.2, 23,
135/31, 33.7, 18, 19, 19.5, 20.1, 25.1, 25.4,
135/98, 114-116, 120.1, 120.2, 120.3
See application file for complete search history.

FIG. 1 is front perspective view of a pocket umbrella and container showing our new design;

FIG. 2 is a front view of the pocket umbrella and container with the umbrella partially extended thereof;

FIG. 3 is a front view of the pocket umbrella and container with the umbrella fully extended thereof;

FIG. 4 is a top right side perspective view of the pocket umbrella and container of FIG. 3 with extended umbrella; the left side being a mirror image thereof;

FIG. 5 is an enlarged top right side perspective view of the pocket umbrella and container of FIG. 4

FIG. 6 is a bottom perspective view thereof; and,

FIG. 7 is a top perspective view thereof.

The broken lines shown in the drawings are included for the purpose of illustrating portions of the article that form no part of the claimed design.

(56) **References Cited**

U.S. PATENT DOCUMENTS

1,885,968 A * 11/1932 Wedemann 135/25.41
D289,945 S * 5/1987 Orenstein D3/5
D342,827 S * 1/1994 Wurflingsdobler, Jr. D3/6
D624,746 S * 10/2010 Leung et al. D3/11

1 Claim, 7 Drawing Sheets

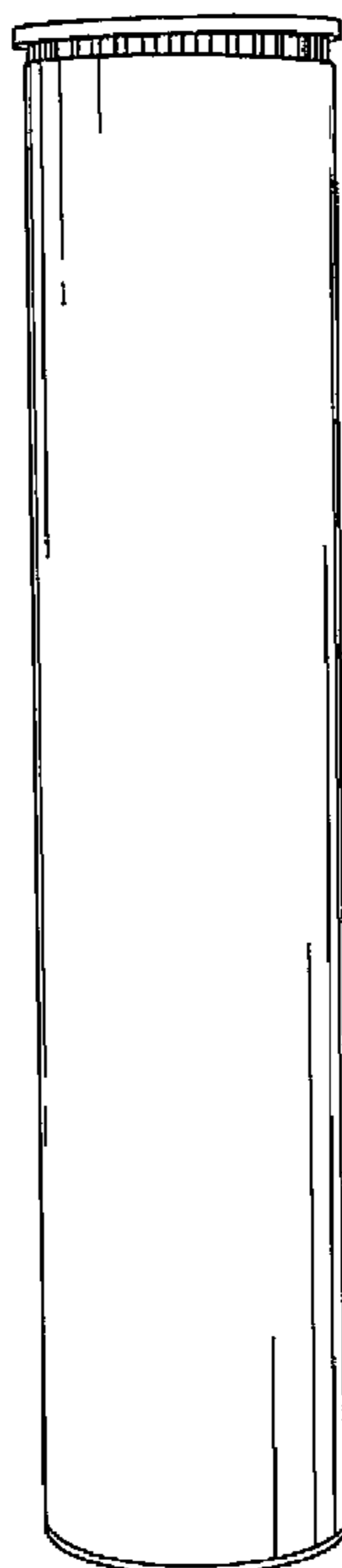


FIG. 1

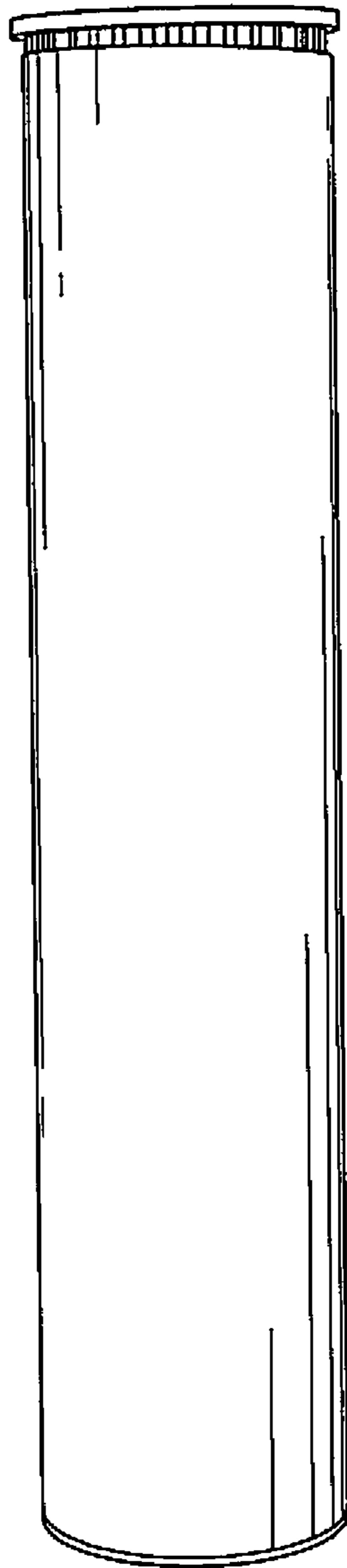


FIG. 2

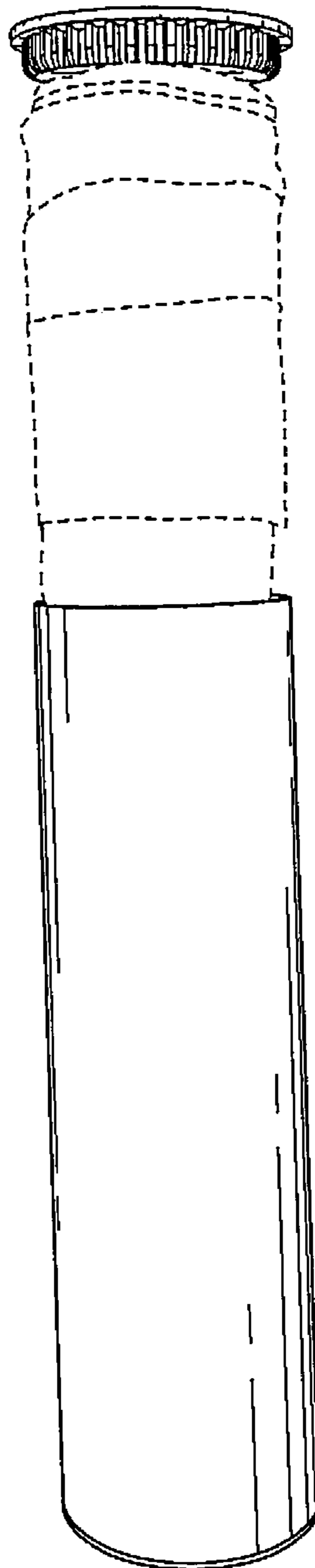


FIG. 3

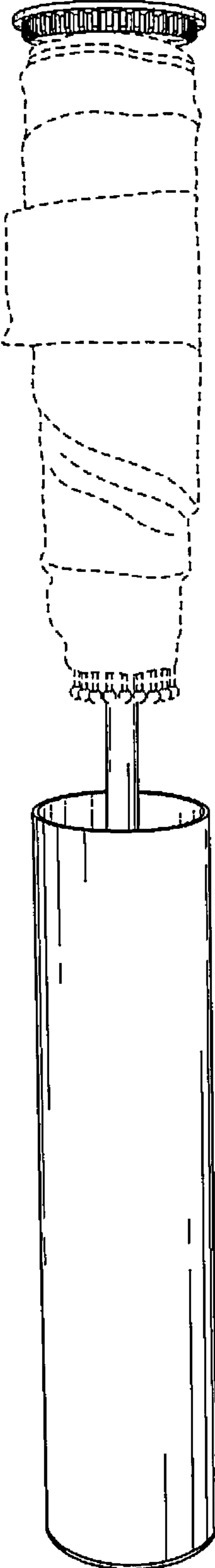


FIG. 4

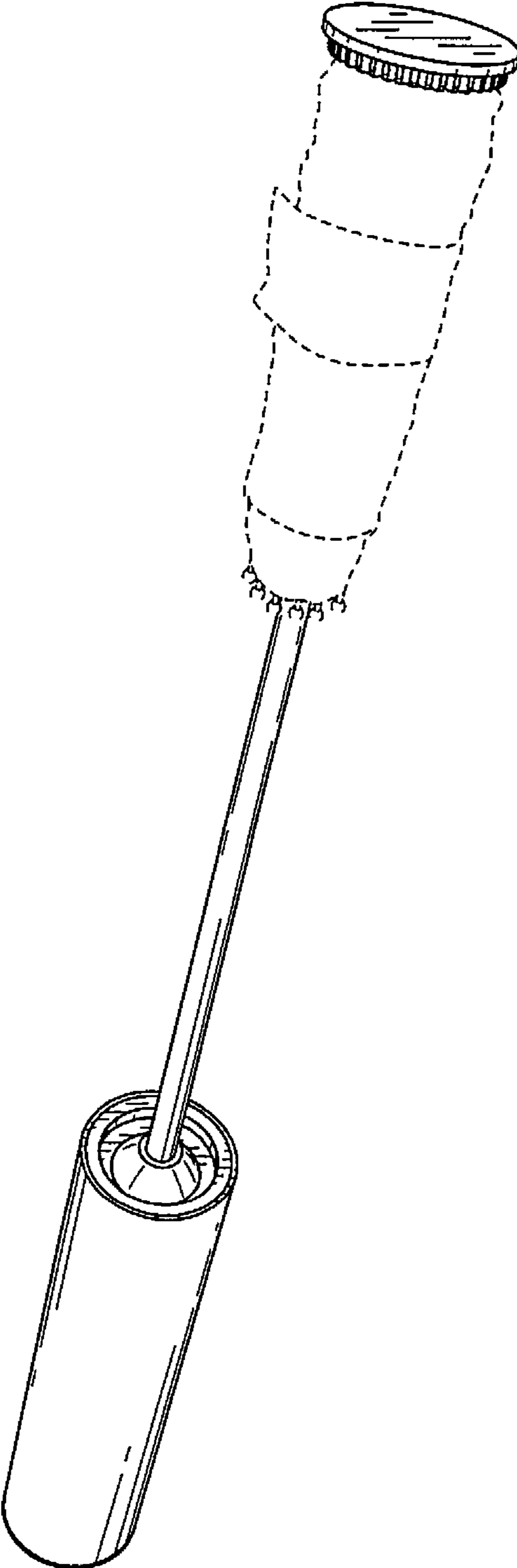


FIG. 5

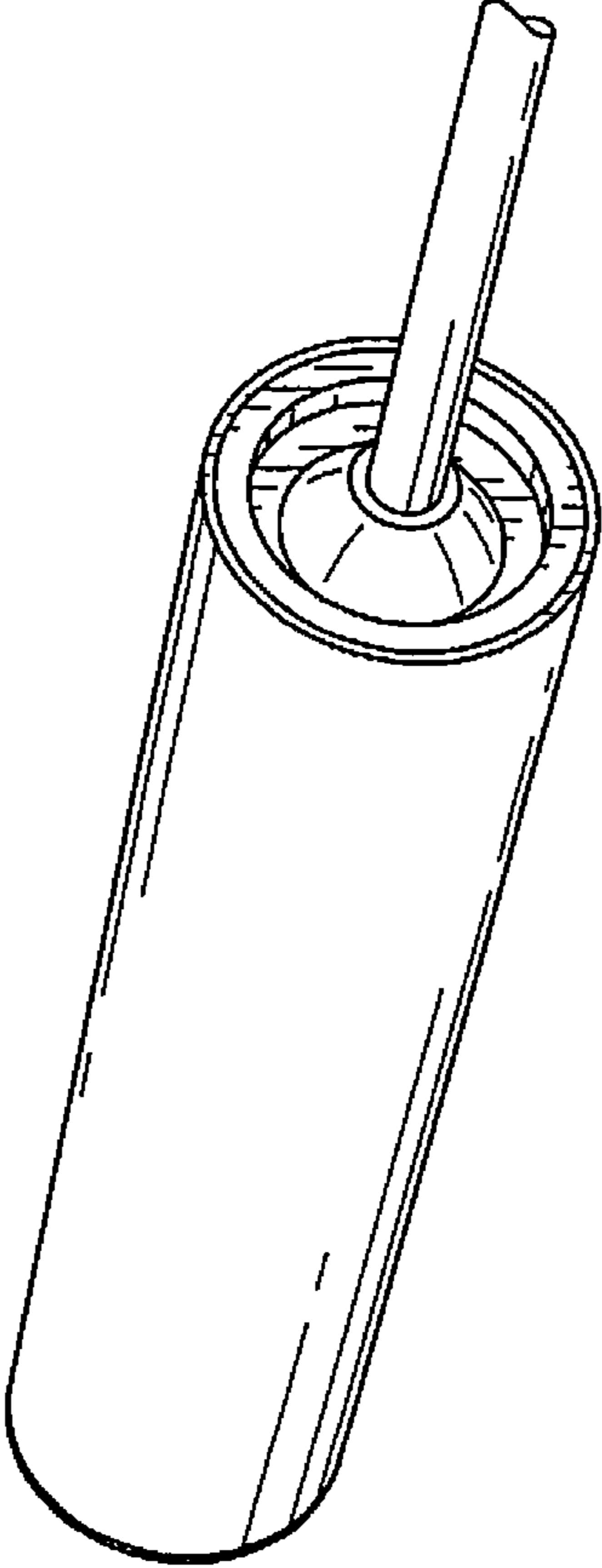


FIG. 6

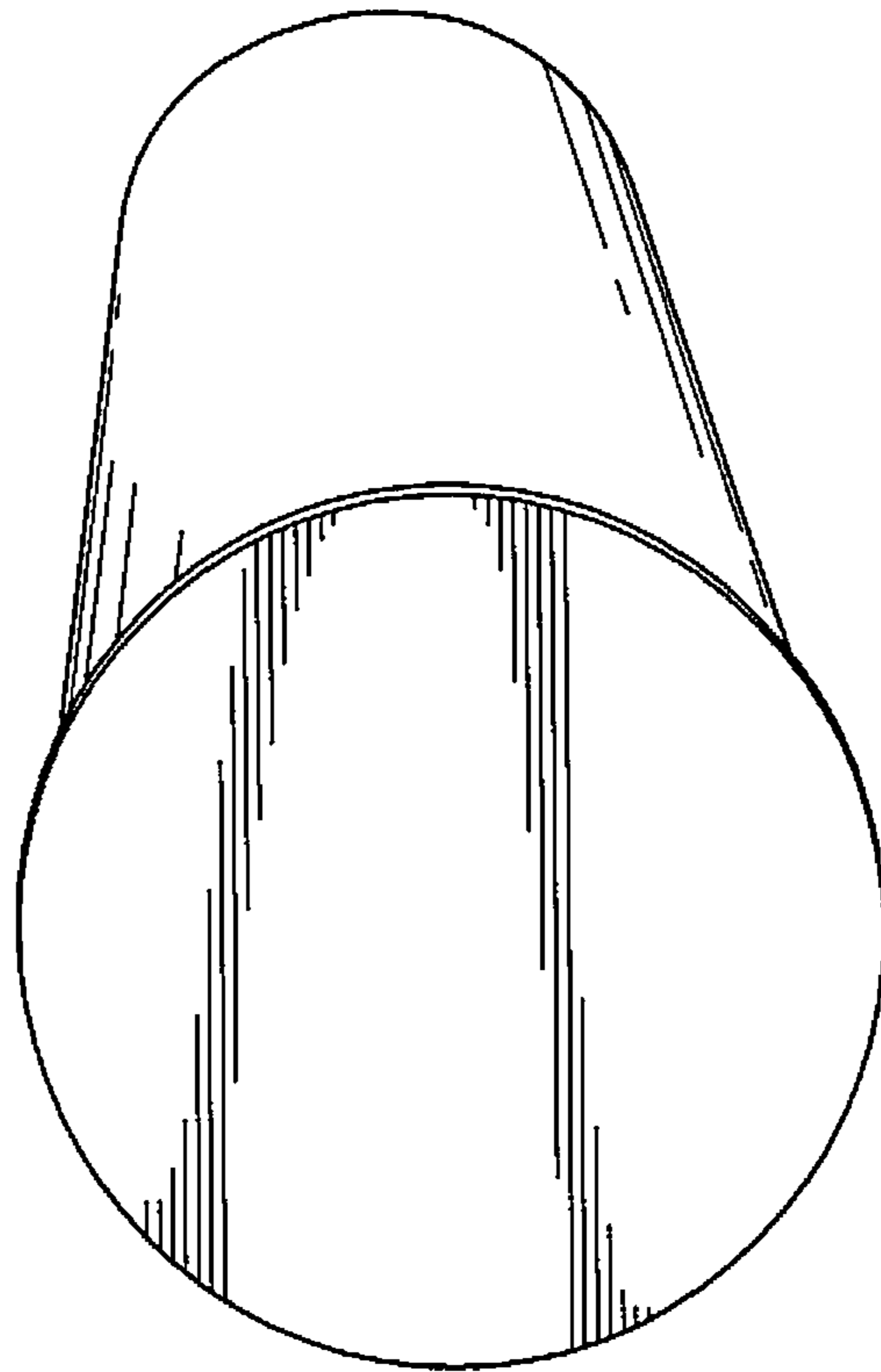


FIG. 7

