



US00D713630S

(12) **United States Design Patent**
Lonigan

(10) **Patent No.:** **US D713,630 S**

(45) **Date of Patent:** **** Sep. 23, 2014**

(54) **FOOTWEAR**

(75) **Inventor:** **William Travis Lonigan**, Portland, OR
(US)

(73) **Assignee:** **Columbia Sportswear North America, Inc.**, Portland, OR (US)

(**) **Term:** **14 Years**

(21) **Appl. No.:** **29/420,629**

(22) **Filed:** **May 10, 2012**

(51) **LOC (10) Cl.** **02-99**

(52) **U.S. Cl.**
USPC **D2/969**

(58) **Field of Classification Search**
CPC .. A43B 13/181; A43B 13/141; A43B 13/186;
A43B 13/188
USPC D2/902, 906–908, 944, 969, 972–974,
D2/978; 36/45, 50.1, 77 M, 77 R, 83, 88,
36/113, 114, 126–131
See application file for complete search history.

(56) **References Cited**

U.S. PATENT DOCUMENTS

D283,364 S * 4/1986 Gamm D2/907
D447,860 S * 9/2001 Matis et al. D2/969
D514,801 S * 2/2006 Hui D2/972

D516,291 S * 3/2006 Young D2/972
D552,842 S * 10/2007 Mermet D2/972
D568,595 S * 5/2008 Hart D2/972
D580,155 S * 11/2008 Banik D2/969
D612,145 S * 3/2010 Bosomworth D2/972

* cited by examiner

Primary Examiner — Dominic Simone

(74) *Attorney, Agent, or Firm* — Schwabe, Williamson & Wyatt, P.C.

(57) **CLAIM**

I claim the ornamental design for footwear, as shown and described.

DESCRIPTION

FIG. 1 is a perspective view of footwear, showing my new design;

FIG. 2 is a left side view thereof;

FIG. 3 is a right side view thereof;

FIG. 4 is a top view thereof;

FIG. 5 is a bottom view thereof;

FIG. 6 is a back view thereof; and,

FIG. 7 is a front view thereof.

The dashed lines are included for illustrating environmental structure and form no part of the claimed design.

1 Claim, 6 Drawing Sheets

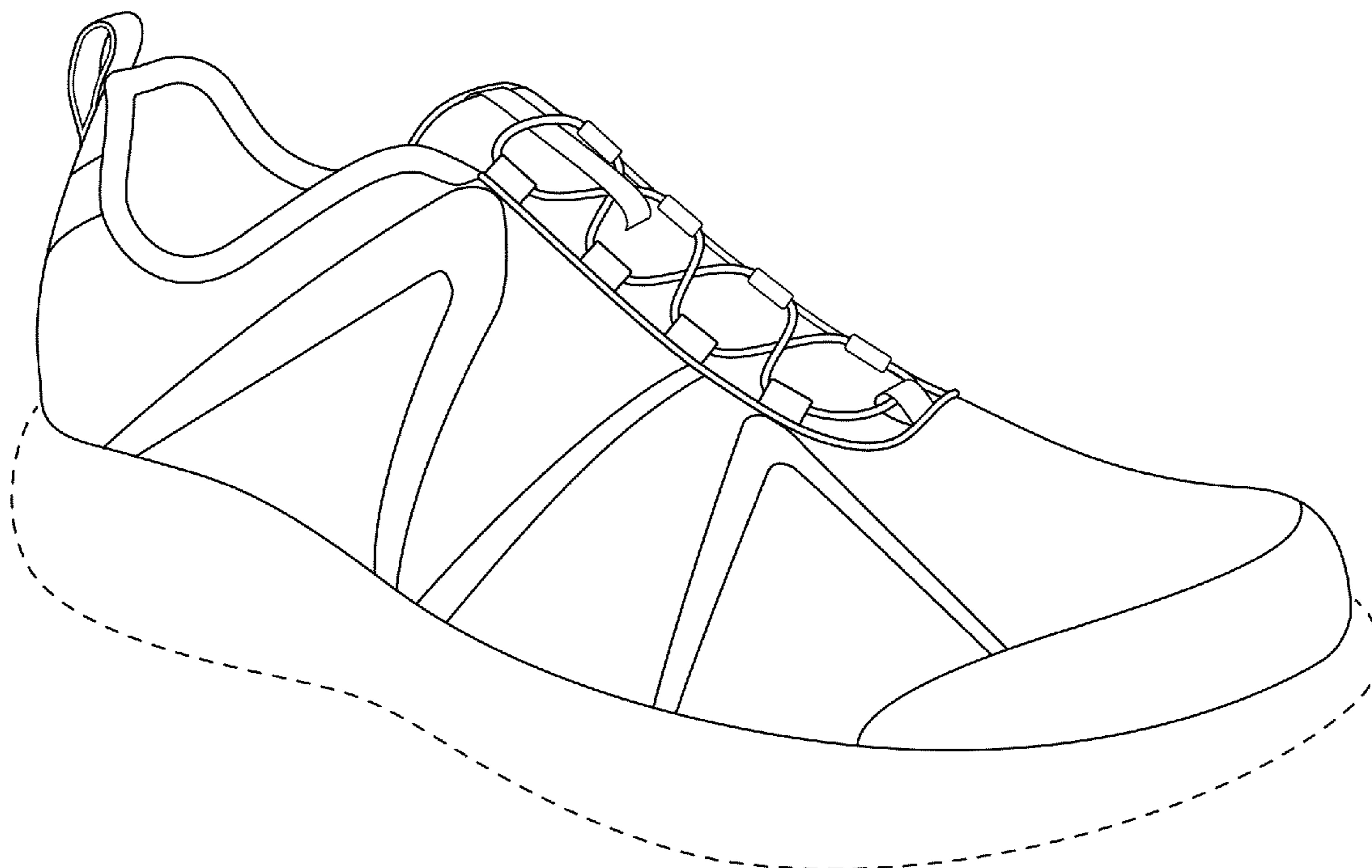


FIG. 1

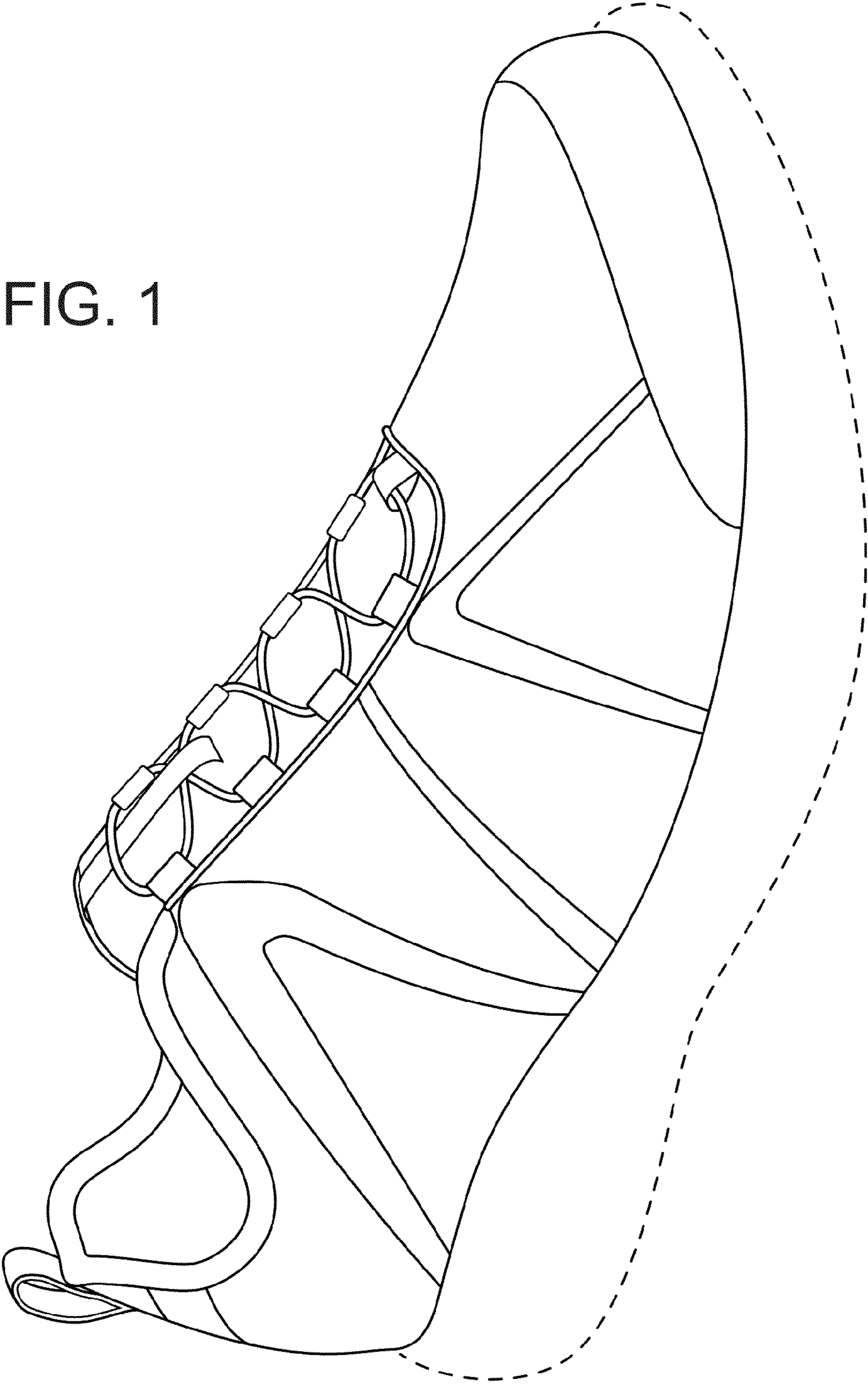
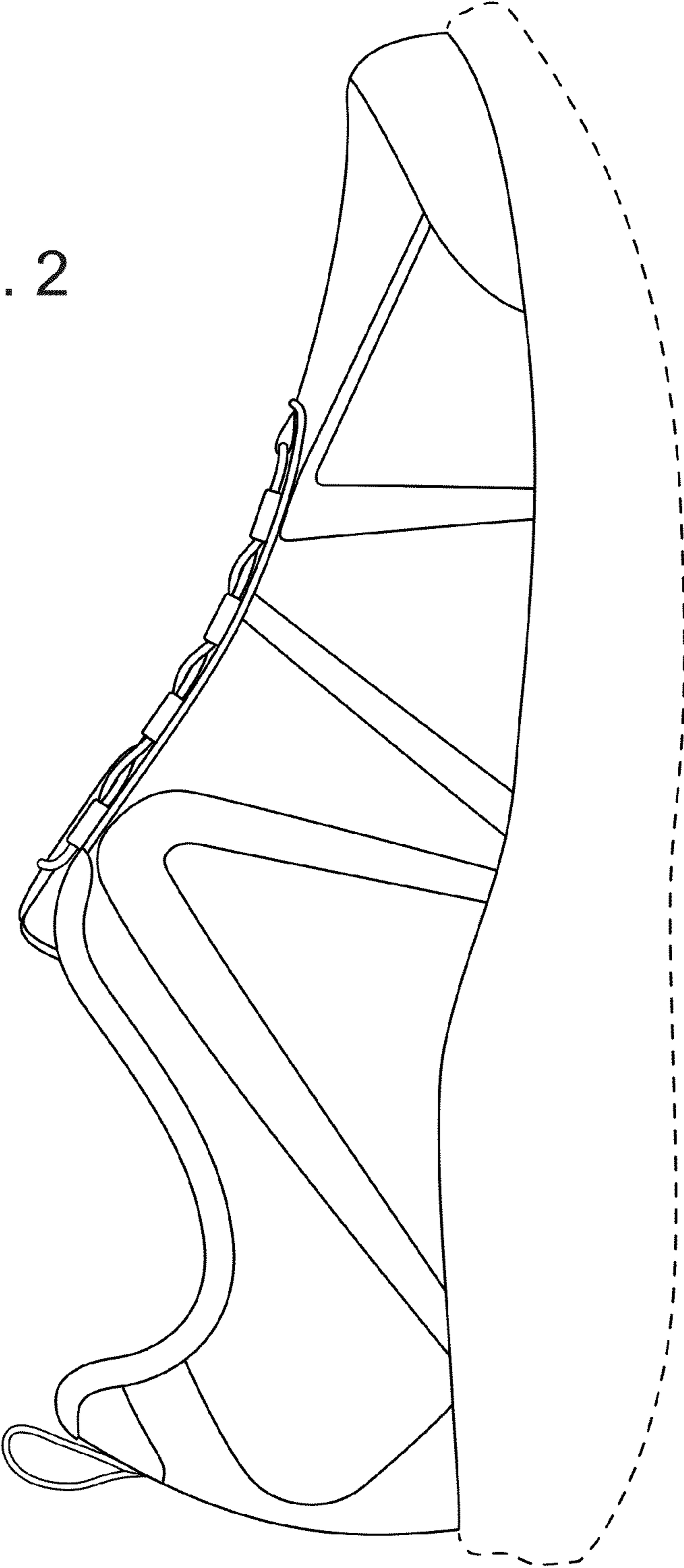


FIG. 2



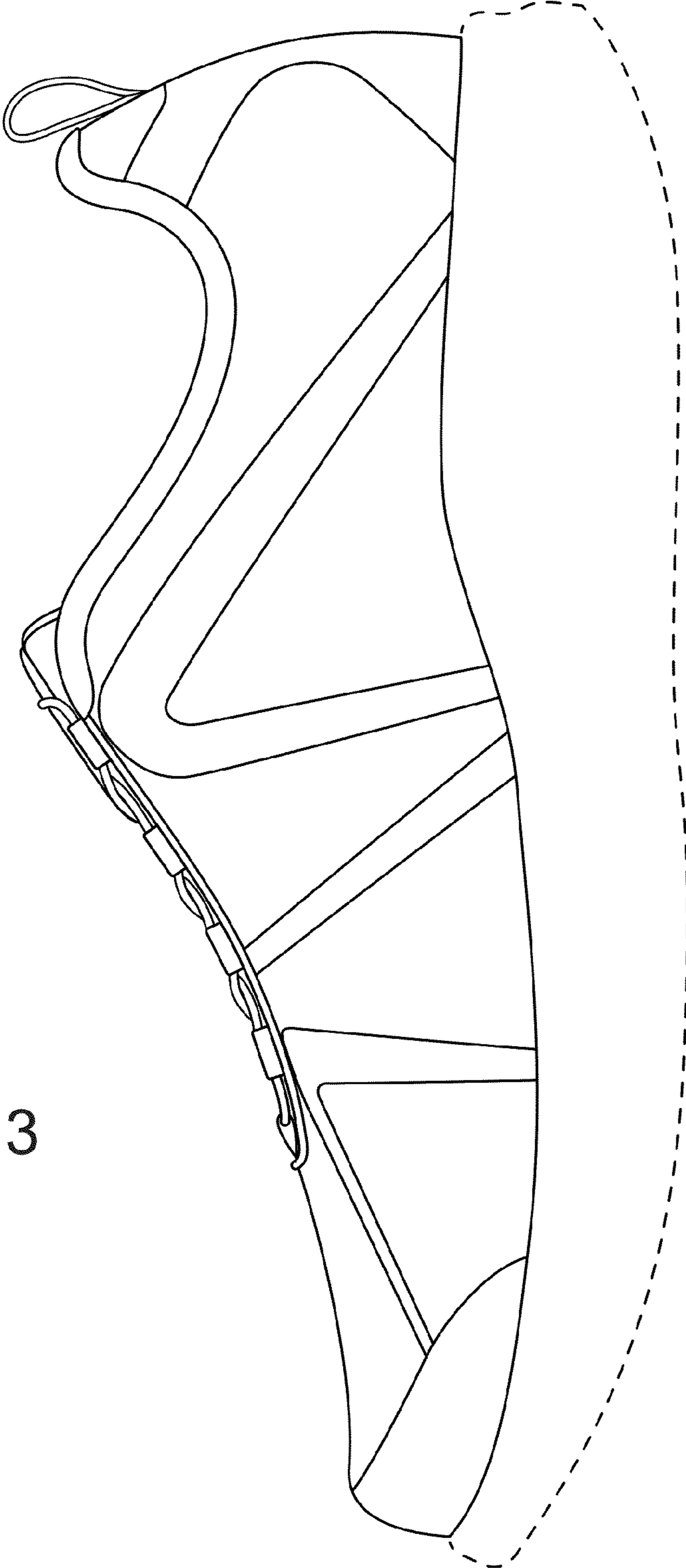


FIG. 3

FIG. 4

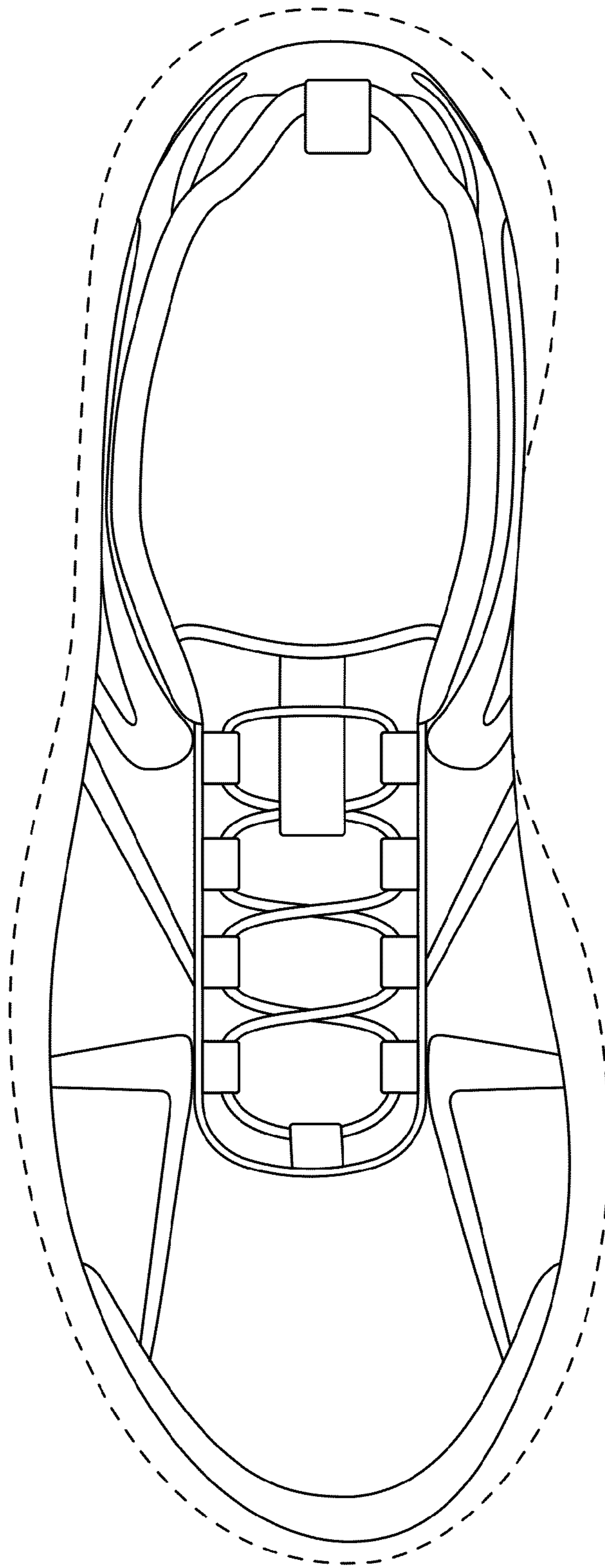
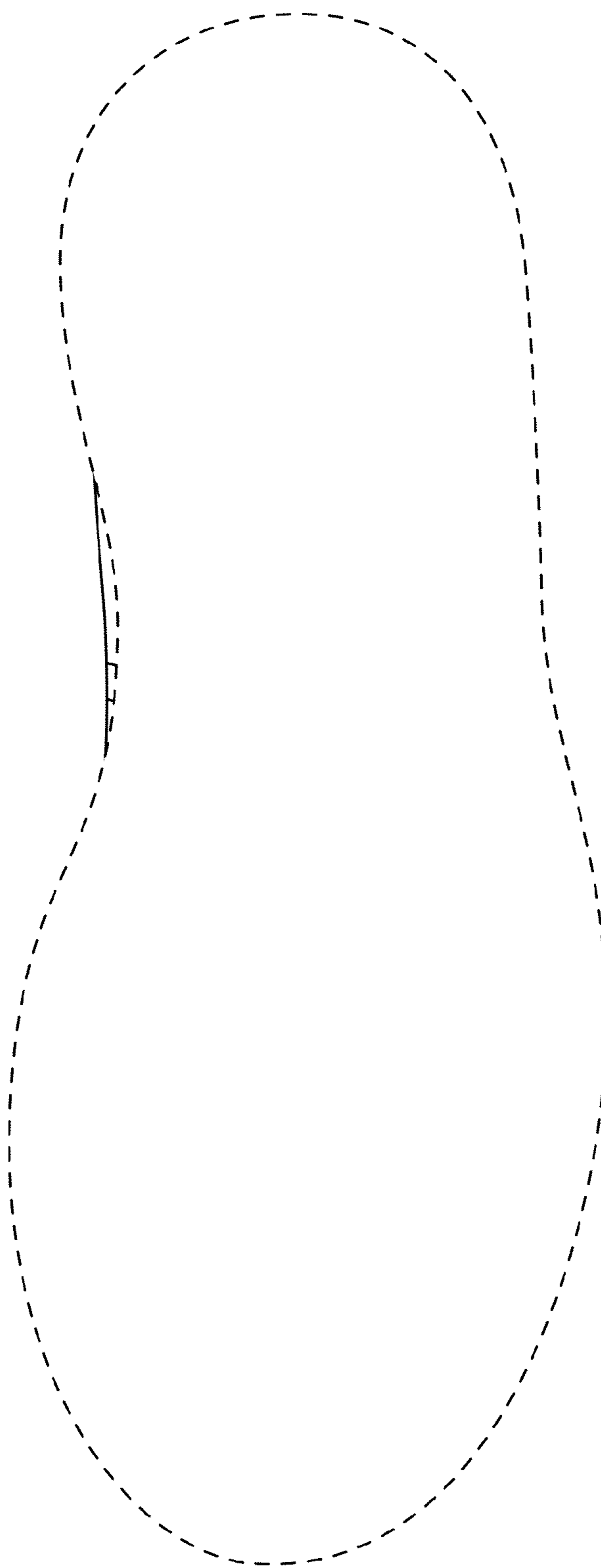


FIG. 5



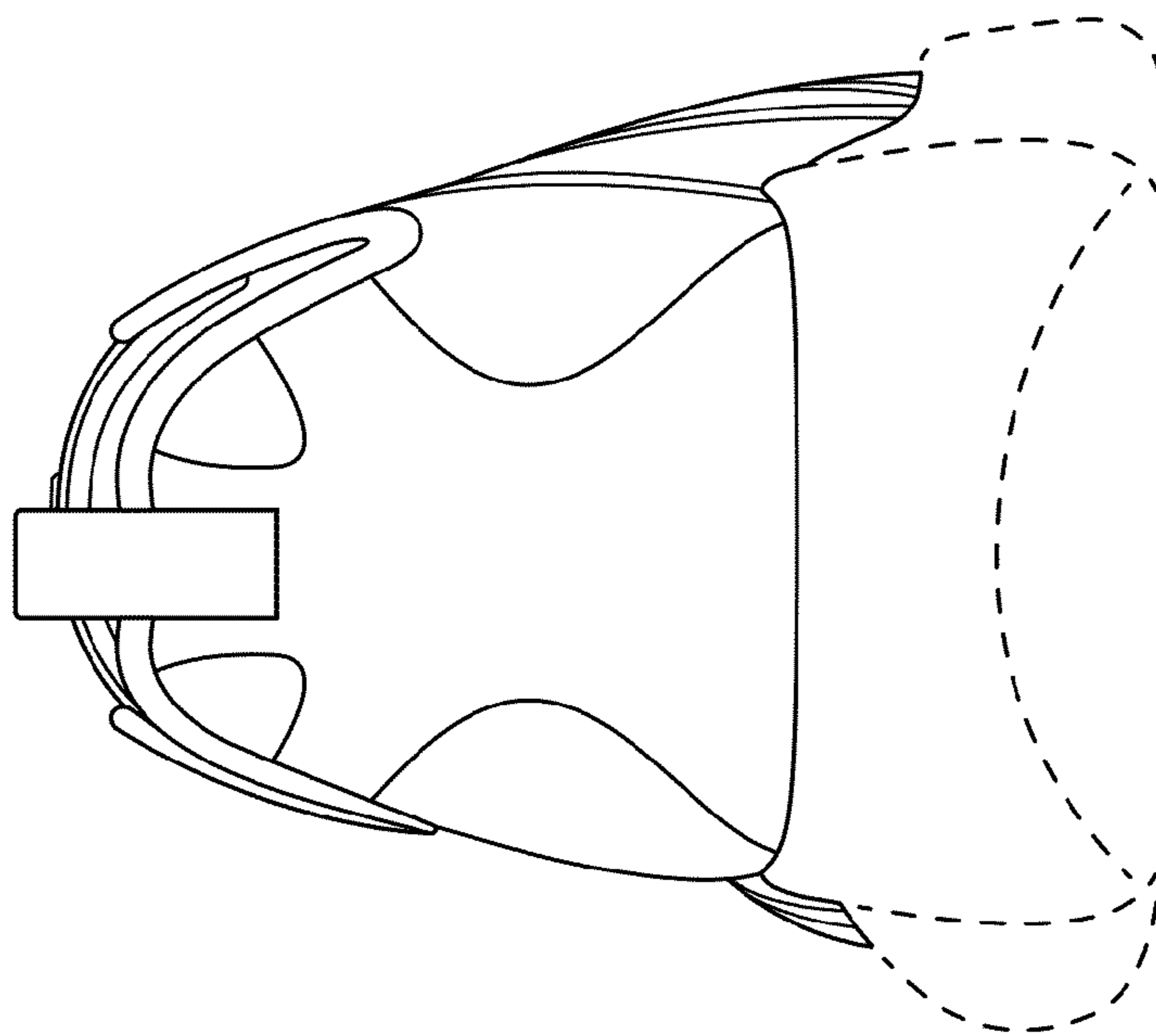


FIG. 6

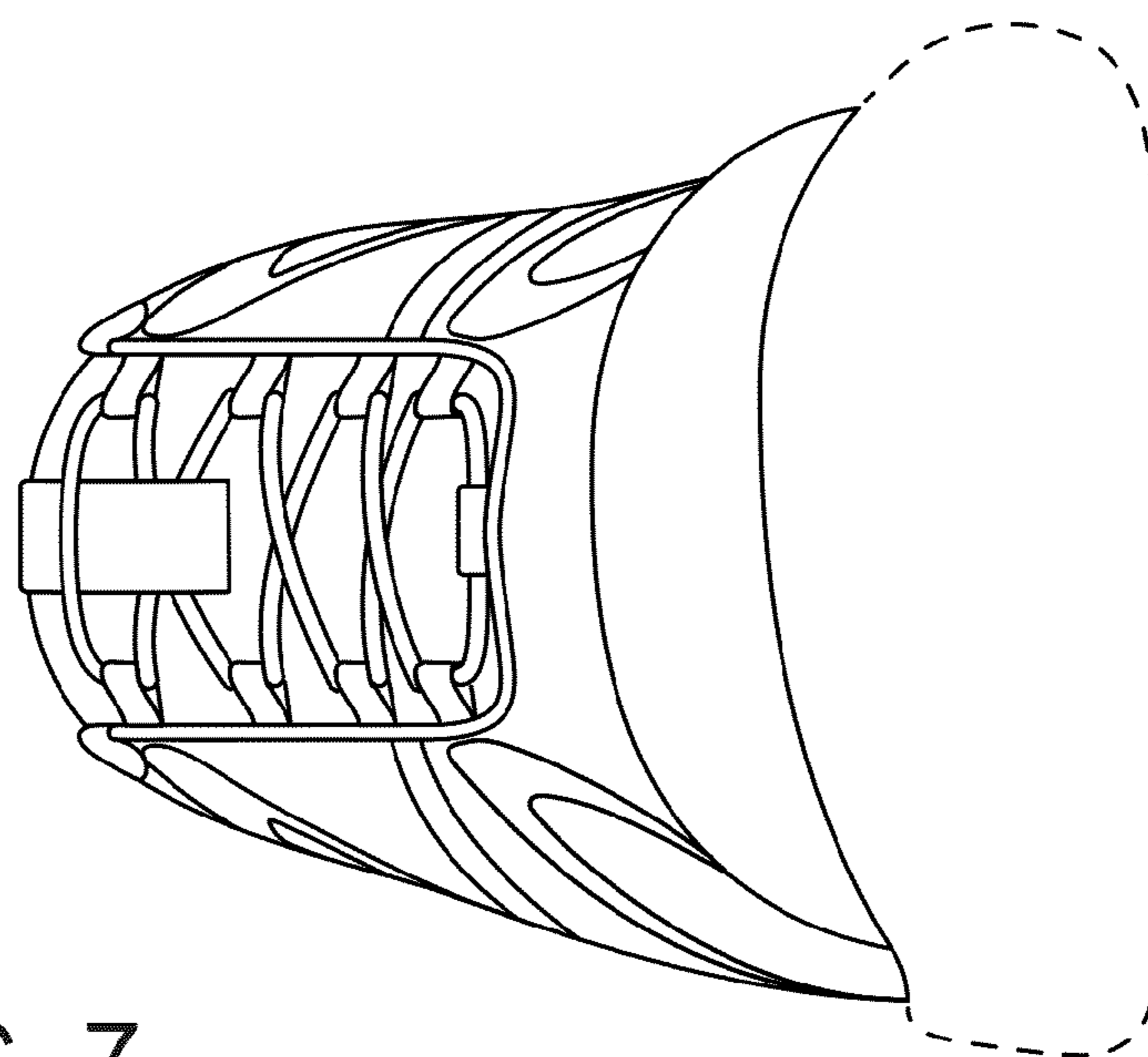


FIG. 7